

[54] COOKING LID

[76] Inventor: Shoji Saito, 2-227 Kofudai, Ichihara-shi, Chiba-ken, Japan

[**] Term: 14 Years

[21] Appl. No.: 628,772

[22] Filed: Jul. 9, 1984

[52] U.S. Cl. D7/391; D9/435; D9/454

[58] Field of Search D7/391, 360, 361, 76; 220/287, 352, 23

[56] References Cited

U.S. PATENT DOCUMENTS

D. 232,511	8/1974	Heiser	D7/391
D. 250,386	11/1978	Tuggy	D7/391
D. 265,061	6/1982	Tricinella	D7/391 X
1,441,712	1/1923	Picard	220/287
1,884,699	10/1932	Hothersall	220/352 X
2,211,326	8/1940	Gillice	220/23 X
2,416,693	3/1947	Hills	220/352 X
3,039,601	6/1962	Martin	220/23 X

FOREIGN PATENT DOCUMENTS

739533 11/1955 United Kingdom 220/287

OTHER PUBLICATIONS

House Furnishing Review, 3-1949, p. 146, Magic Pot Lid.

Primary Examiner—Bernard Ansher

Assistant Examiner—Linda Titolo

[57] CLAIM

The ornamental design for a cooking lid, substantially as shown and described.

DESCRIPTION

FIG. 1 is a top plan view of a cooking lid, showing my new design;

FIG. 2 is a front elevational view thereof, the rear view being a mirror image thereof;

FIG. 3 is a right side elevational view thereof, the left side being a mirror image thereof;

FIG. 4 is a bottom plan view thereof;

FIG. 5 is a cross-sectional view thereof, taken on line 5—5 of FIG. 2;

FIG. 6 is a top front perspective view thereof, the broken lines indicating a cook pot are shown for illustrative purposes only; and

FIG. 7 is a top front perspective view thereof.

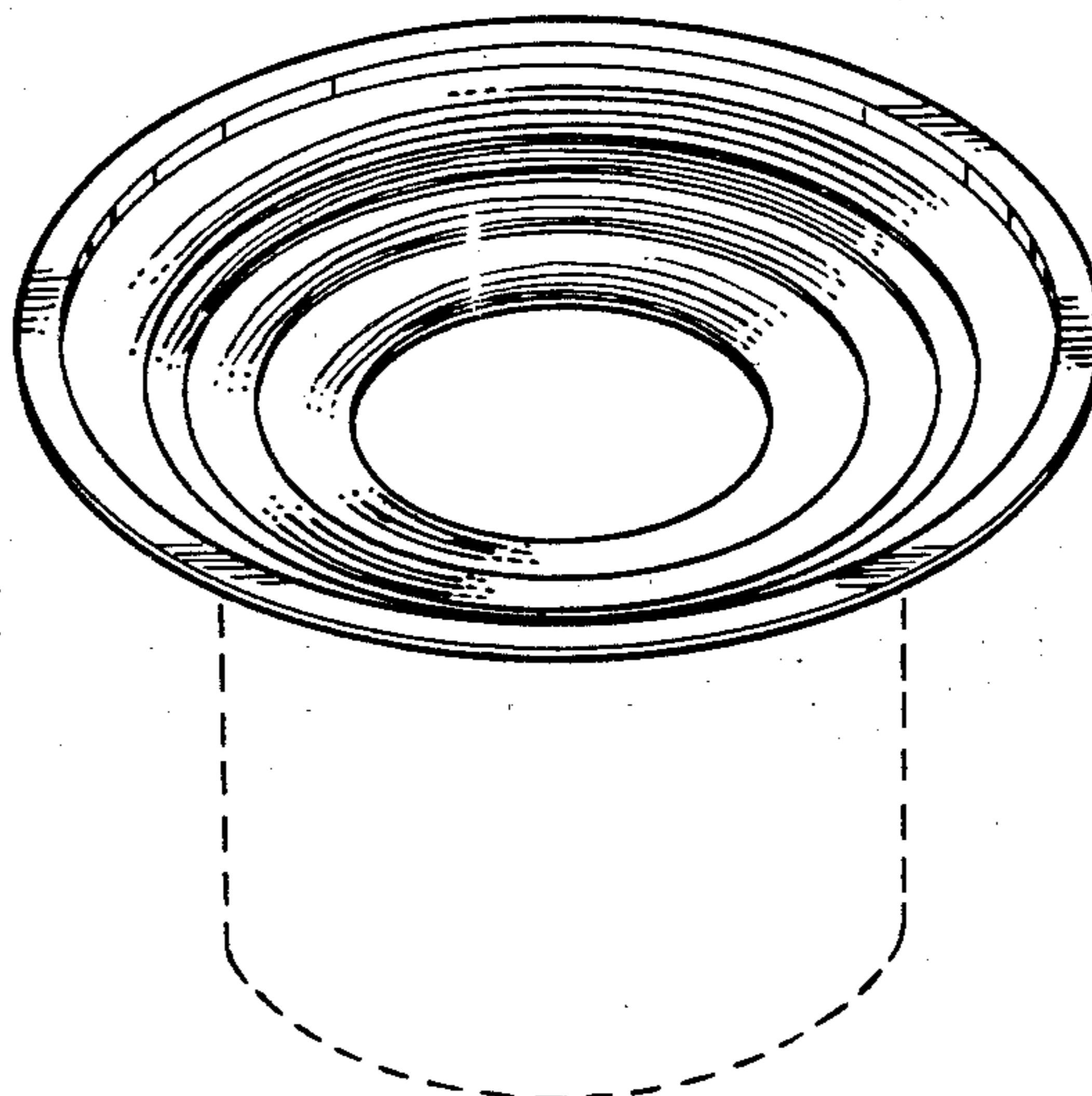


FIG. 1

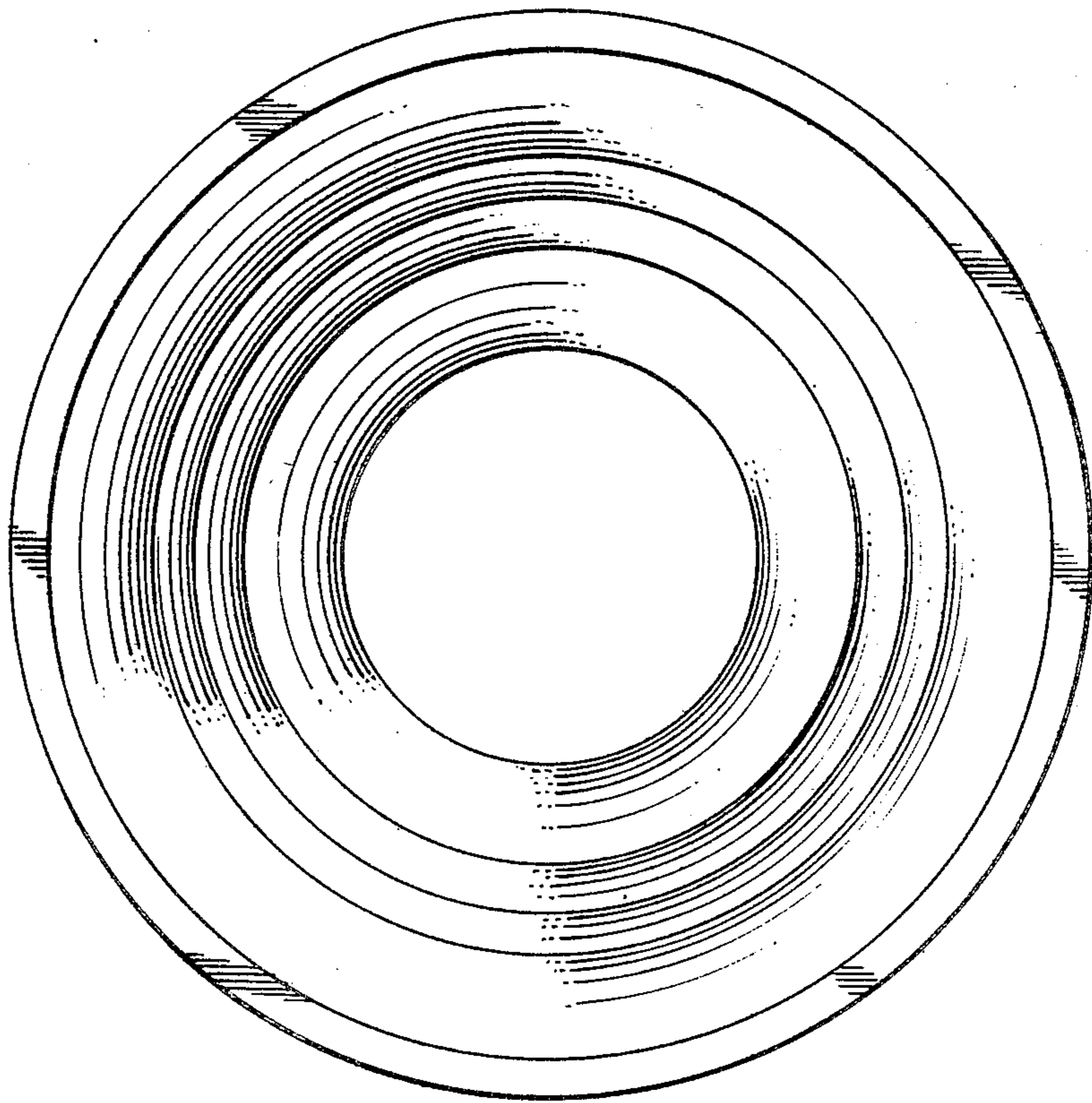


FIG. 2

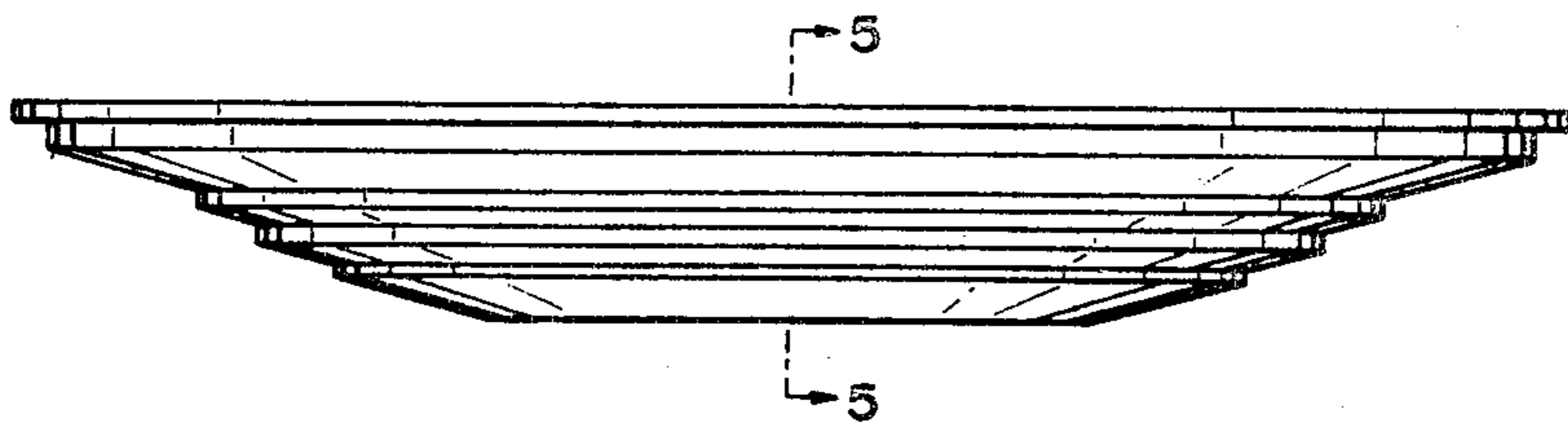


FIG. 3

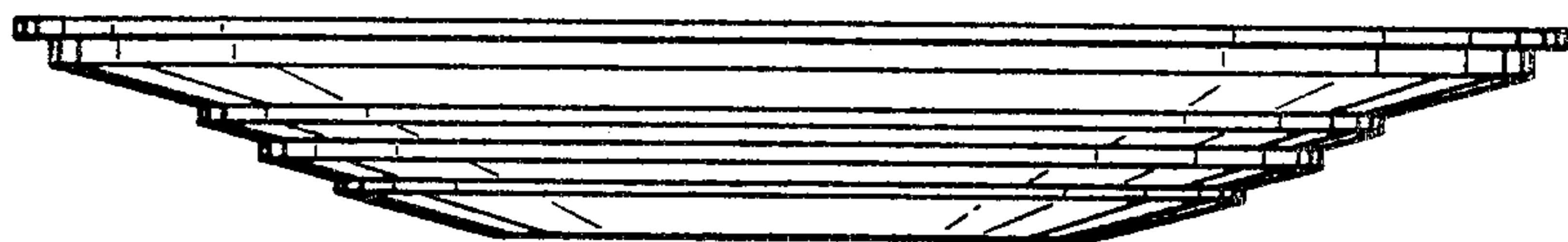


FIG. 4

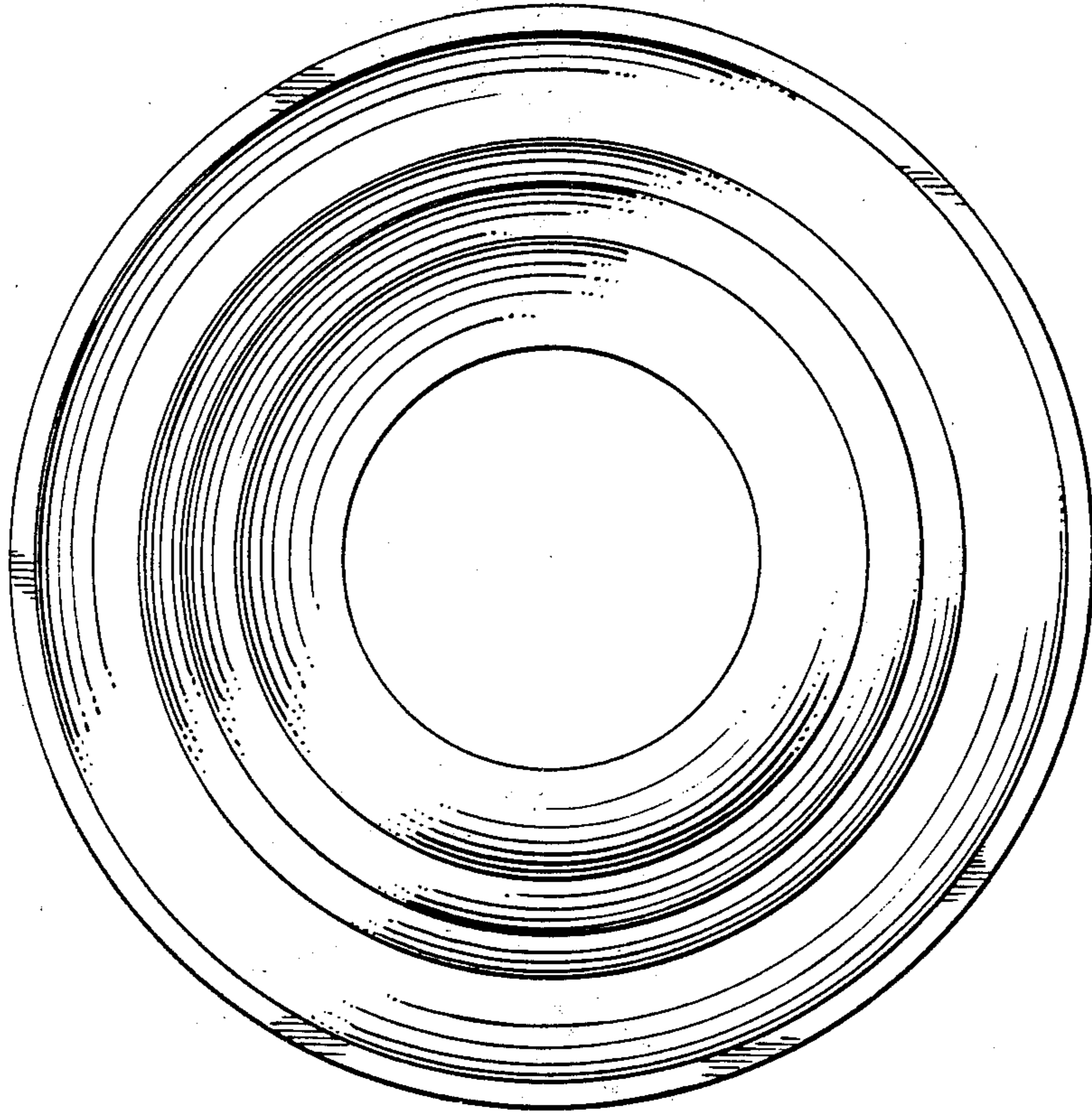


FIG. 5

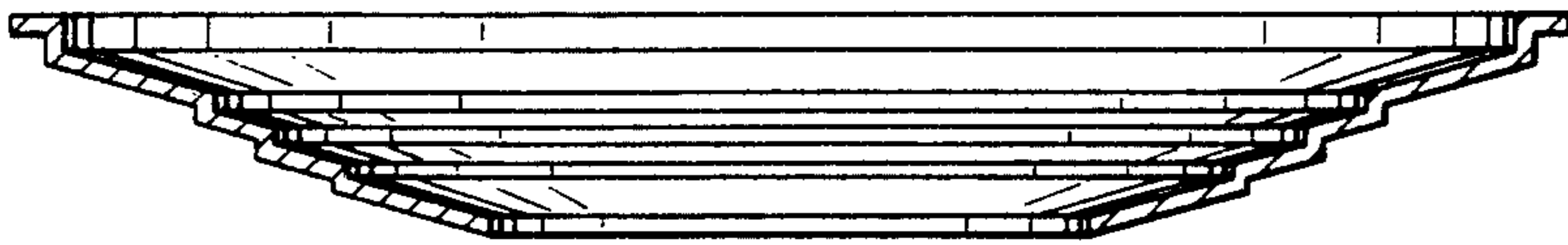


FIG. 6

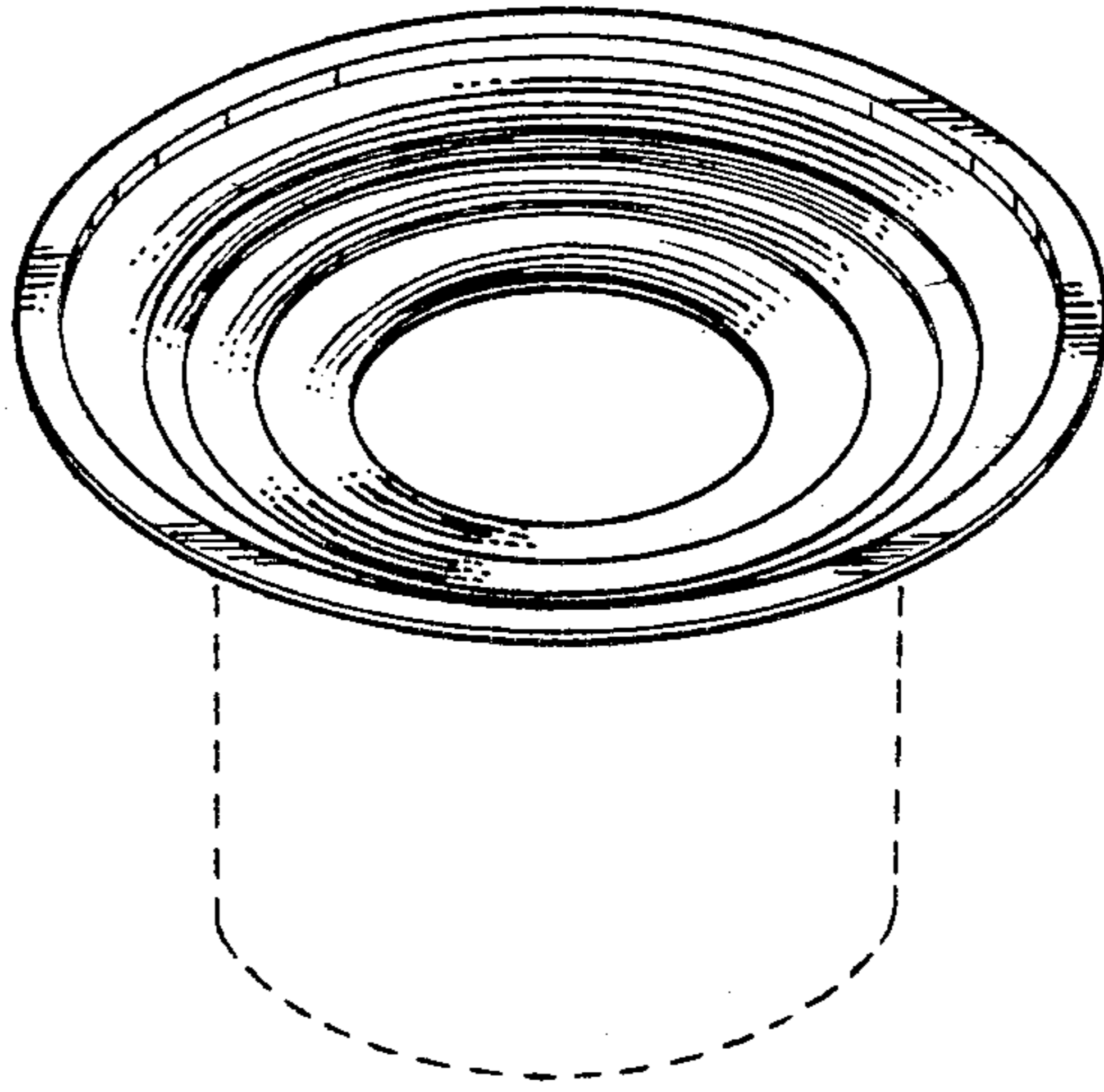


FIG. 7

