

[54] PACKAGED COFFEE BEVERAGE MAKER

[75] Inventors: Peter H. Oakley, Marlow; Michael B. Woodhall, Maidenhead; Terence W. Gander, Bracknell, all of United Kingdom

[73] Assignee: Mars G.B. Limited, London, England

[**] Term: 14 Years

[21] Appl. No.: 610,386

[22] Filed: May 15, 1984

[30] Foreign Application Priority Data

Nov. 23, 1983 [GB] United Kingdom 1016454
[52] U.S. Cl. D7/309
[58] Field of Search D7/300, 305, 306-313; D20/1, 4, 5

[56] References Cited

U.S. PATENT DOCUMENTS

| | | | | |
|------------|--------|----------|-------|--------|
| D. 185,833 | 8/1959 | Bruntjen | | D7/311 |
| D. 215,045 | 8/1969 | Benjamin | | D7/311 |
| D. 254,255 | 2/1980 | Kiser | | D7/305 |
| D. 260,996 | 9/1981 | Cornett | | D7/308 |
| D. 277,538 | 2/1985 | Jack | | D7/309 |

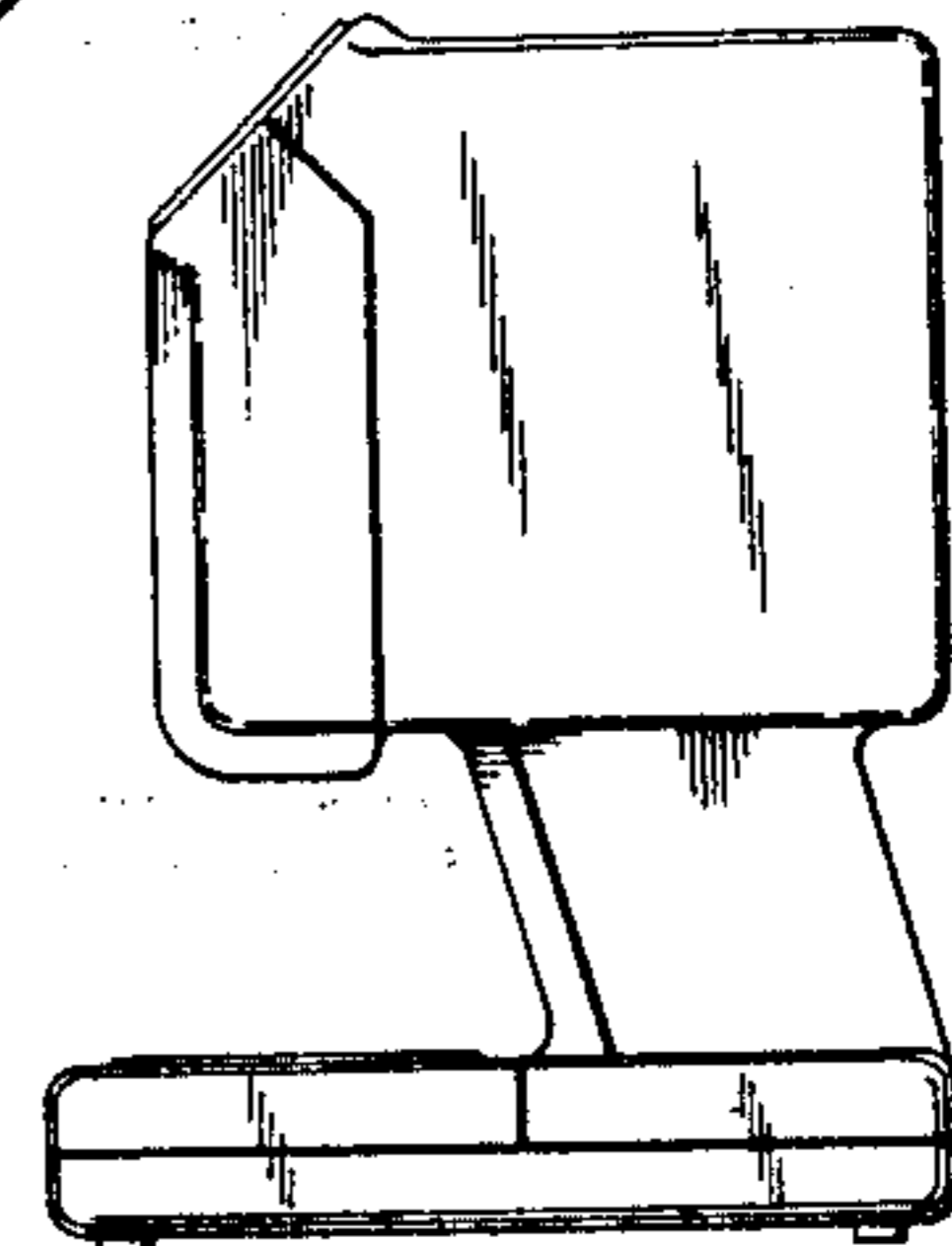
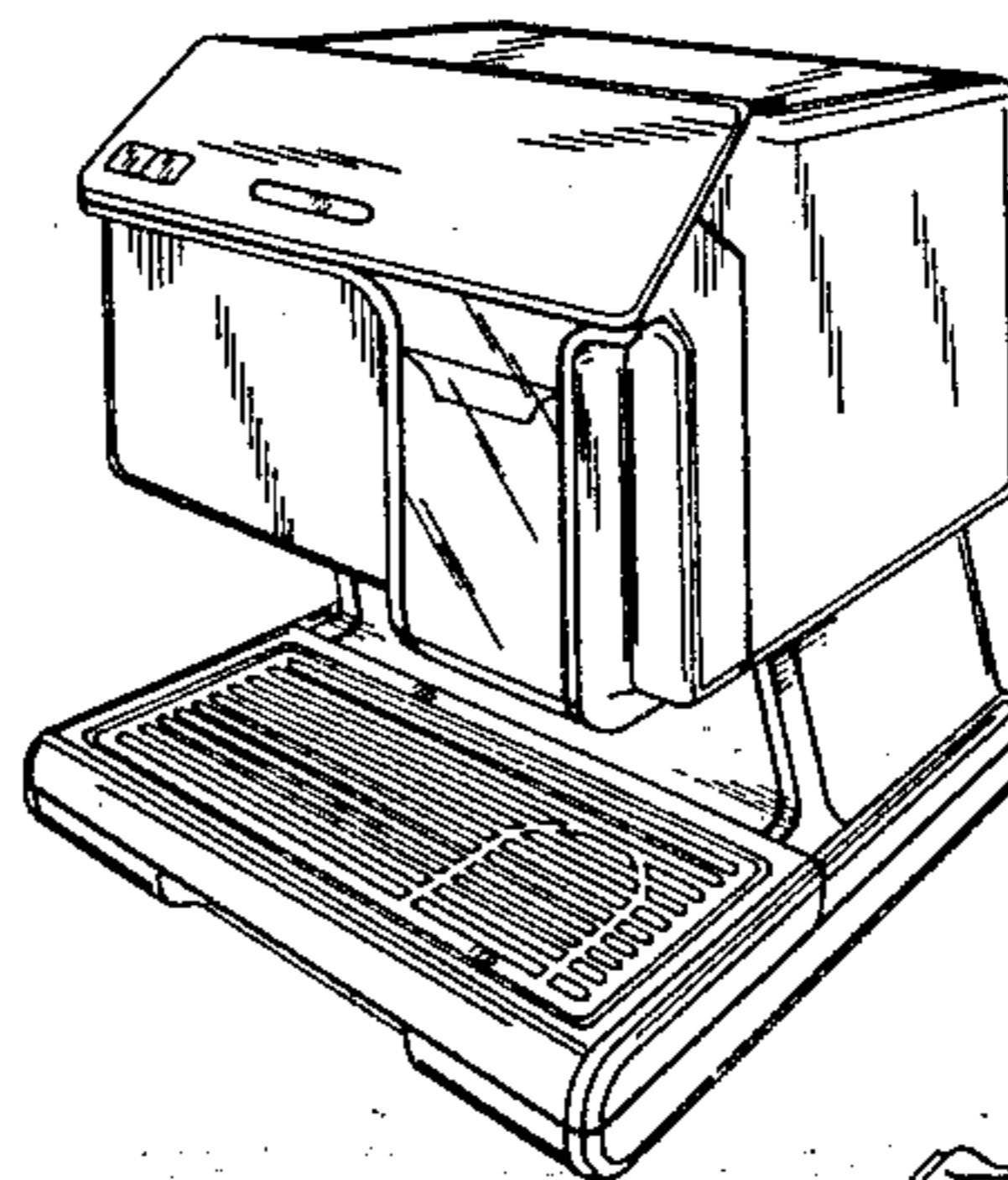
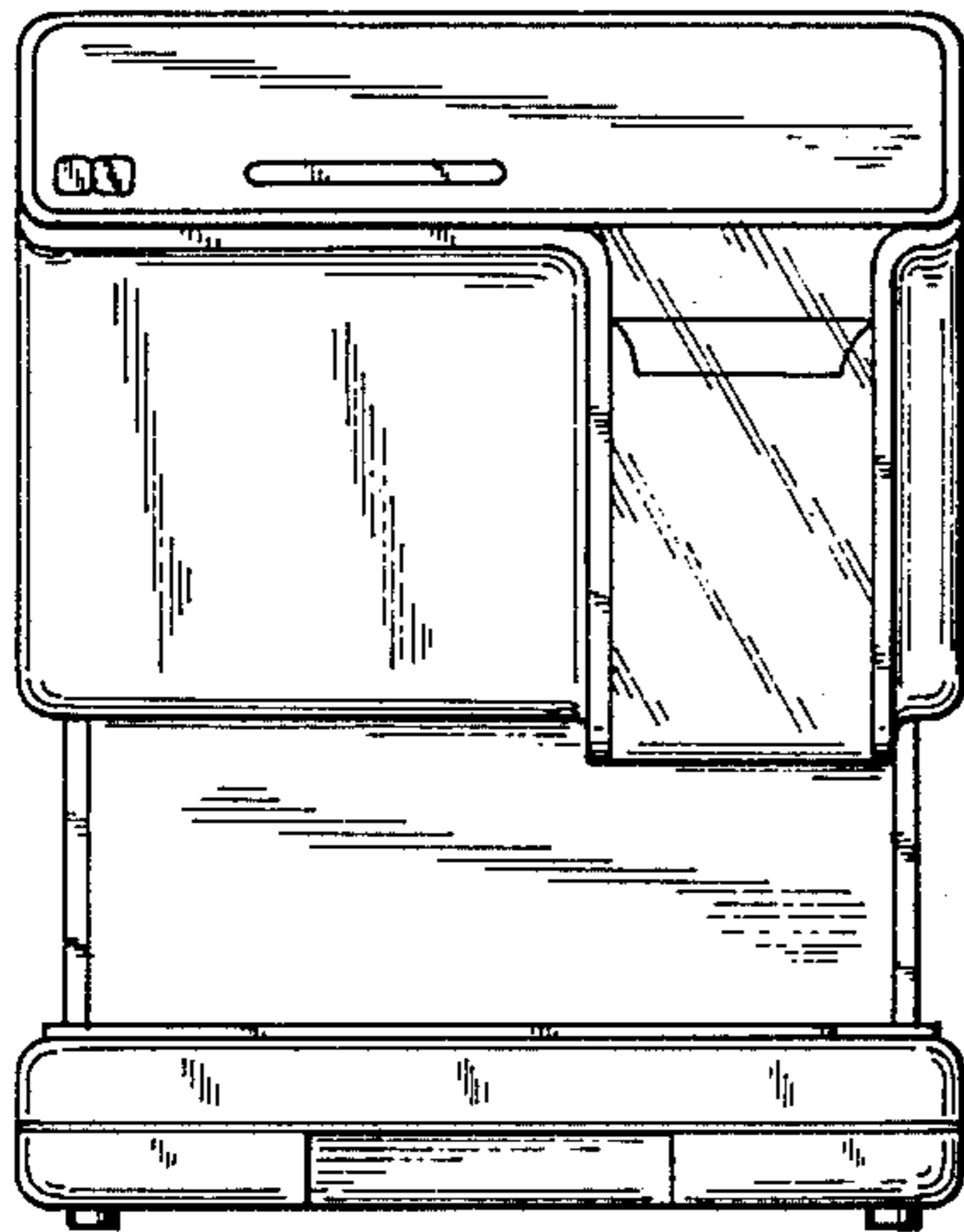
Primary Examiner—Winifred E. Herrmann
Attorney, Agent, or Firm—Curtis, Morris & Safford

[57] CLAIM

The ornamental design for a packaged coffee beverage maker, as shown and described.

DESCRIPTION

FIG. 1 is a top, front, and right side perspective view of a packaged coffee beverage maker showing our new design;
FIG. 2 is a rear elevational view thereof;
FIG. 3 is a right side elevational view thereof, the side opposite is a mirror image thereof;
FIG. 4 is a top plan view thereof;
FIG. 5 is a bottom plan view thereof; and
FIG. 6 is a front elevational view thereof on an enlarged scale.



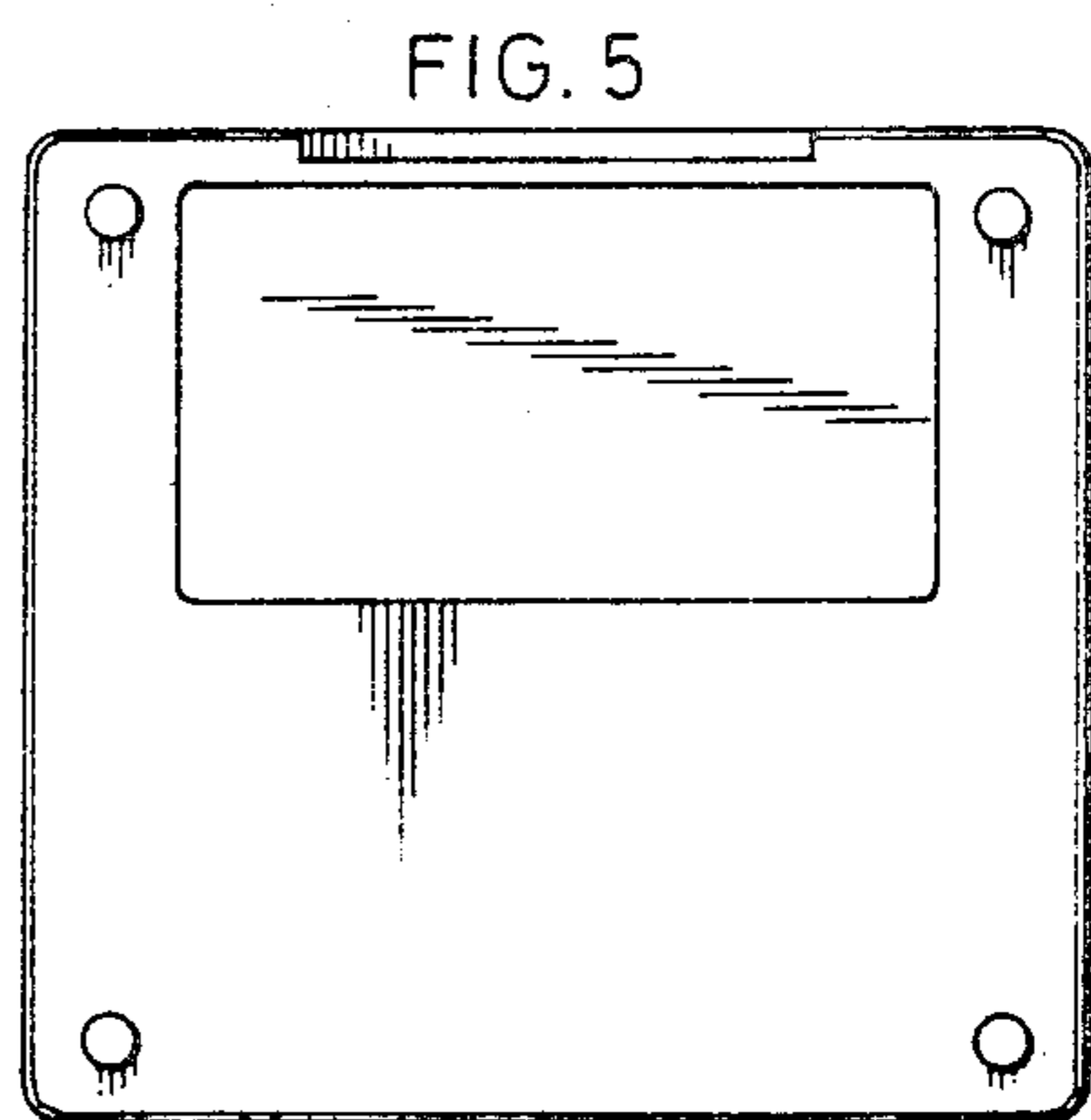
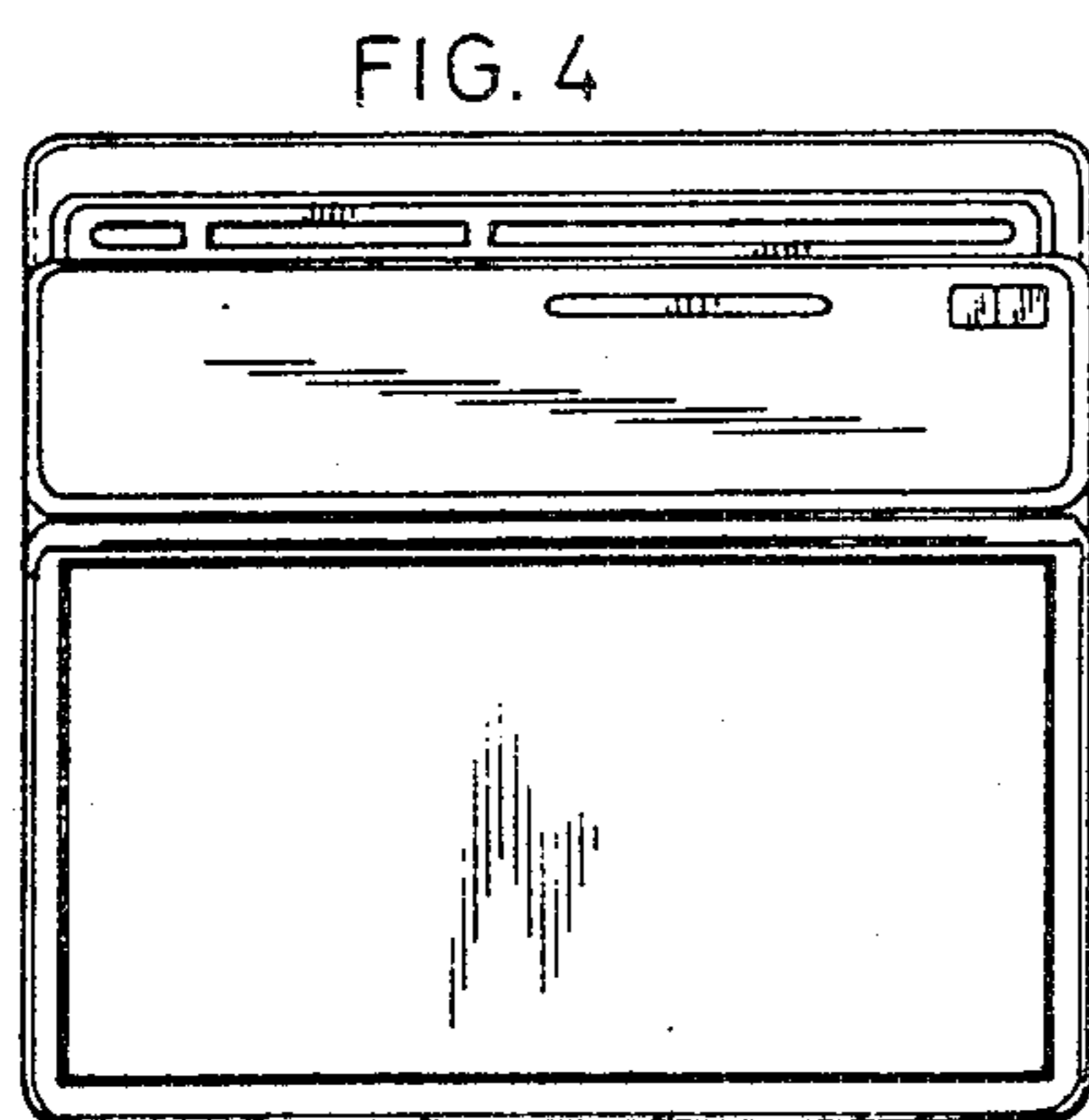
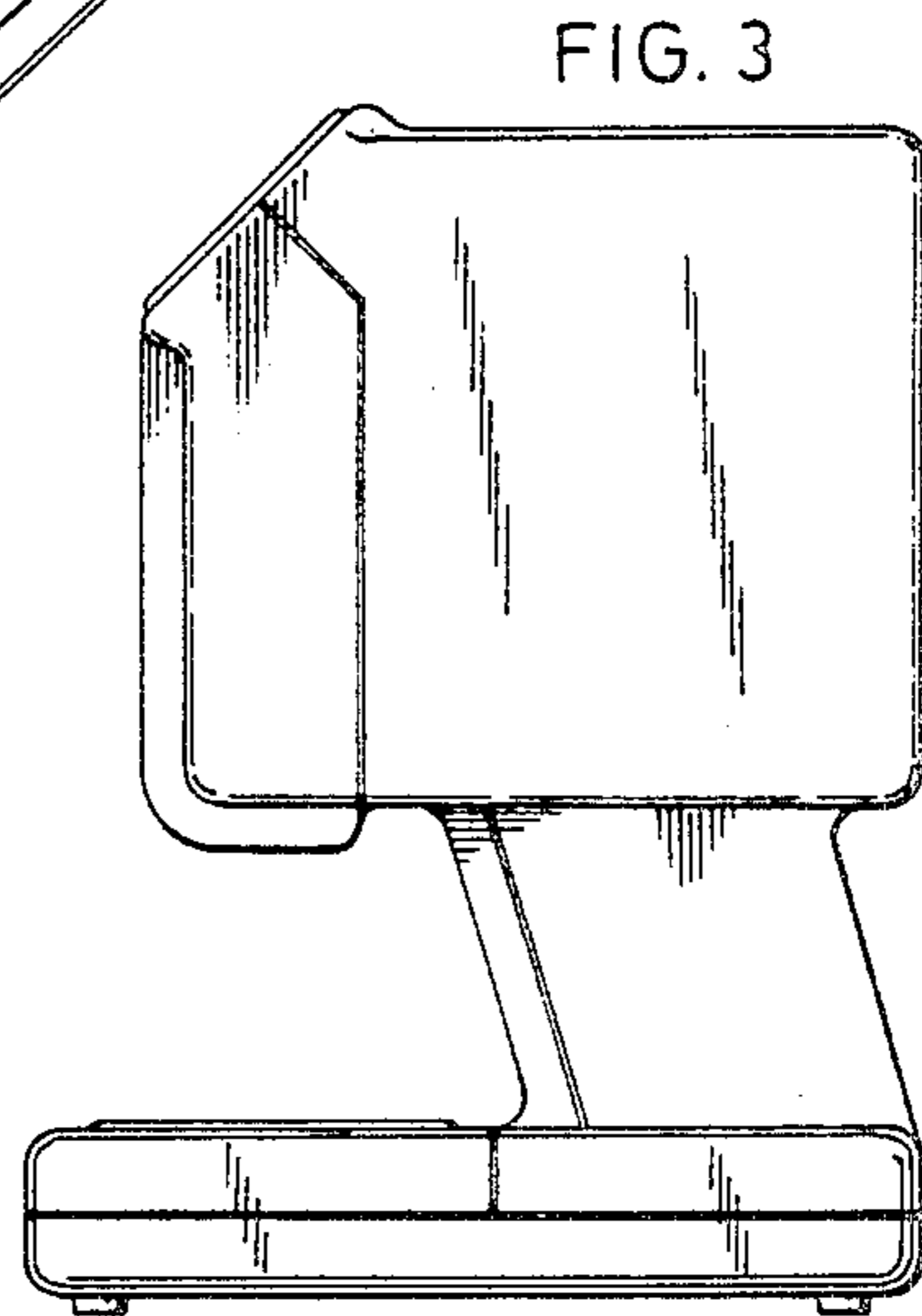
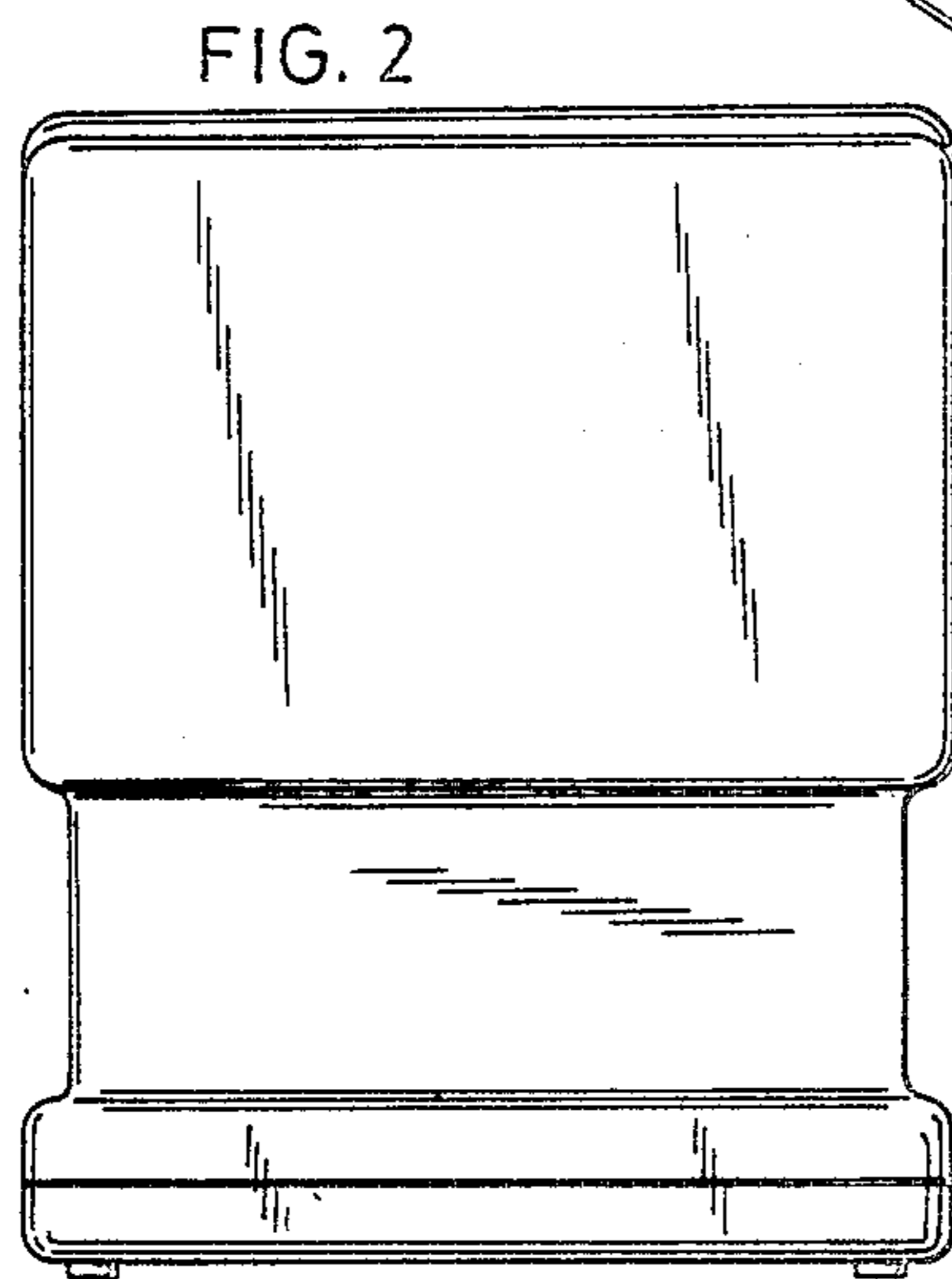
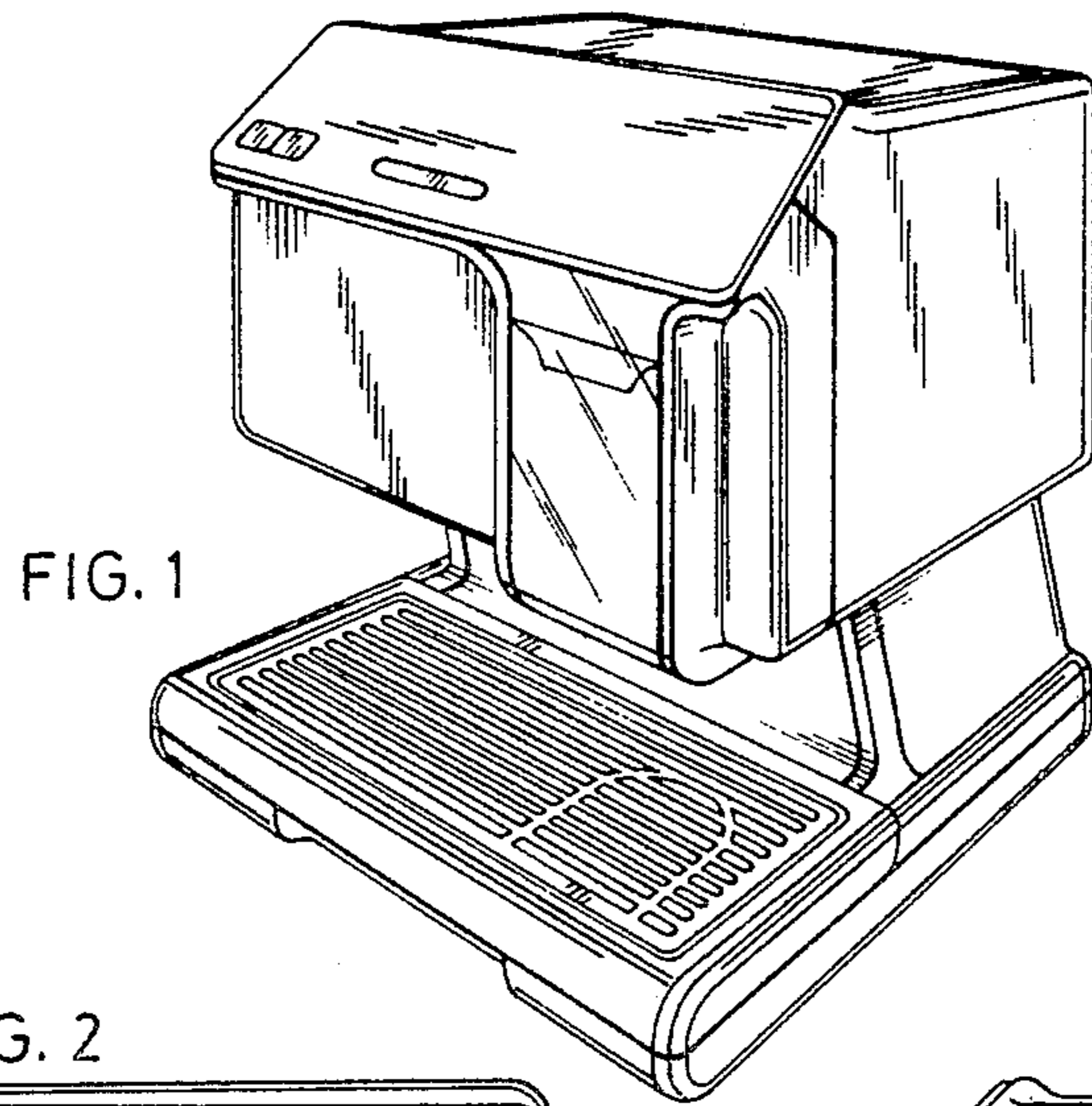


FIG. 6

