

[54] HEADBOARD FOR A BED

[75] Inventor: Kenichirou Yosimoto, Hiroshima, Japan

[73] Assignee: Dream Sogo Kenkyusho, Hiroshima, Japan

[**] Term: 14 Years

[21] Appl. No.: 599,384

[22] Filed: Apr. 12, 1984

[30] Foreign Application Priority Data

Oct. 18, 1983 [JP] Japan 58-45294

[52] U.S. Cl. D6/505; D6/393

[58] Field of Search D6/382-395, D6/503-508; 5/400, 401, 53 R

[56] References Cited

U.S. PATENT DOCUMENTS

- D. 47,535 7/1915 Huntoon D6/384
- D. 101,780 11/1936 Krick D6/505

- D. 103,092 2/1937 Braun D6/505
- D. 118,982 2/1940 Mash et al. D6/384
- D. 159,009 6/1950 Sharp D6/384
- 2,666,213 1/1954 Bash 5/53 R

Primary Examiner—Charles A. Rademaker
Assistant Examiner—Linda Titolo
Attorney, Agent, or Firm—Flynn, Thiel, Boutell & Tanis

[57] CLAIM

The ornamental design for a headboard for a bed, as shown and described.

DESCRIPTION

FIG. 1 is a front elevational view of a headboard for a bed, showing my new design;
 FIG. 2 is a rear elevational view thereof;
 FIG. 3 is a right side elevational view thereof, the left side being a mirror image thereof;
 FIG. 4 is a top front and right side perspective view thereof; and
 FIG. 5 is a top front and left side perspective view thereof, the broken lines indicating a bed are shown for illustrative purposes only.

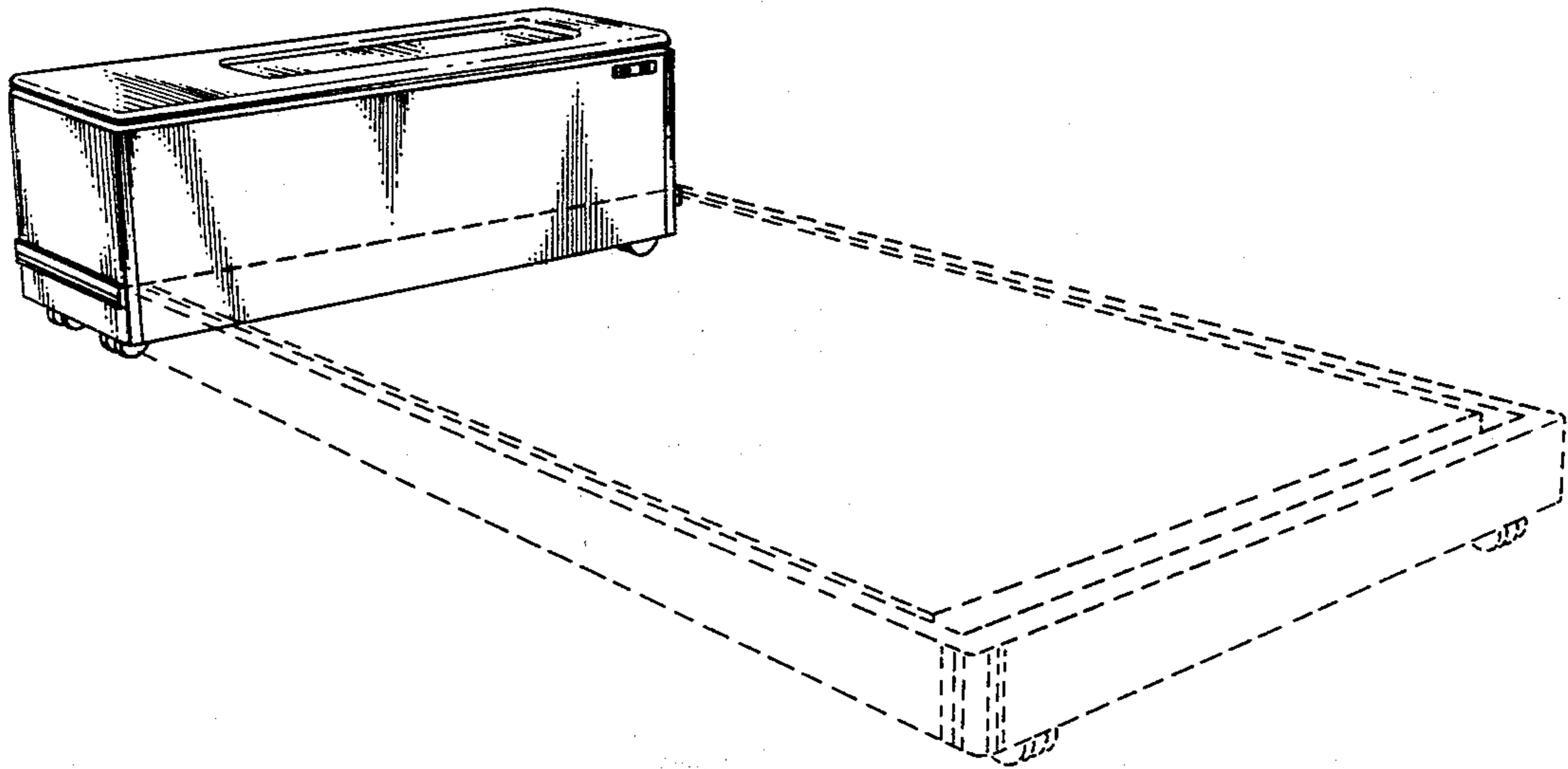


FIG. 1

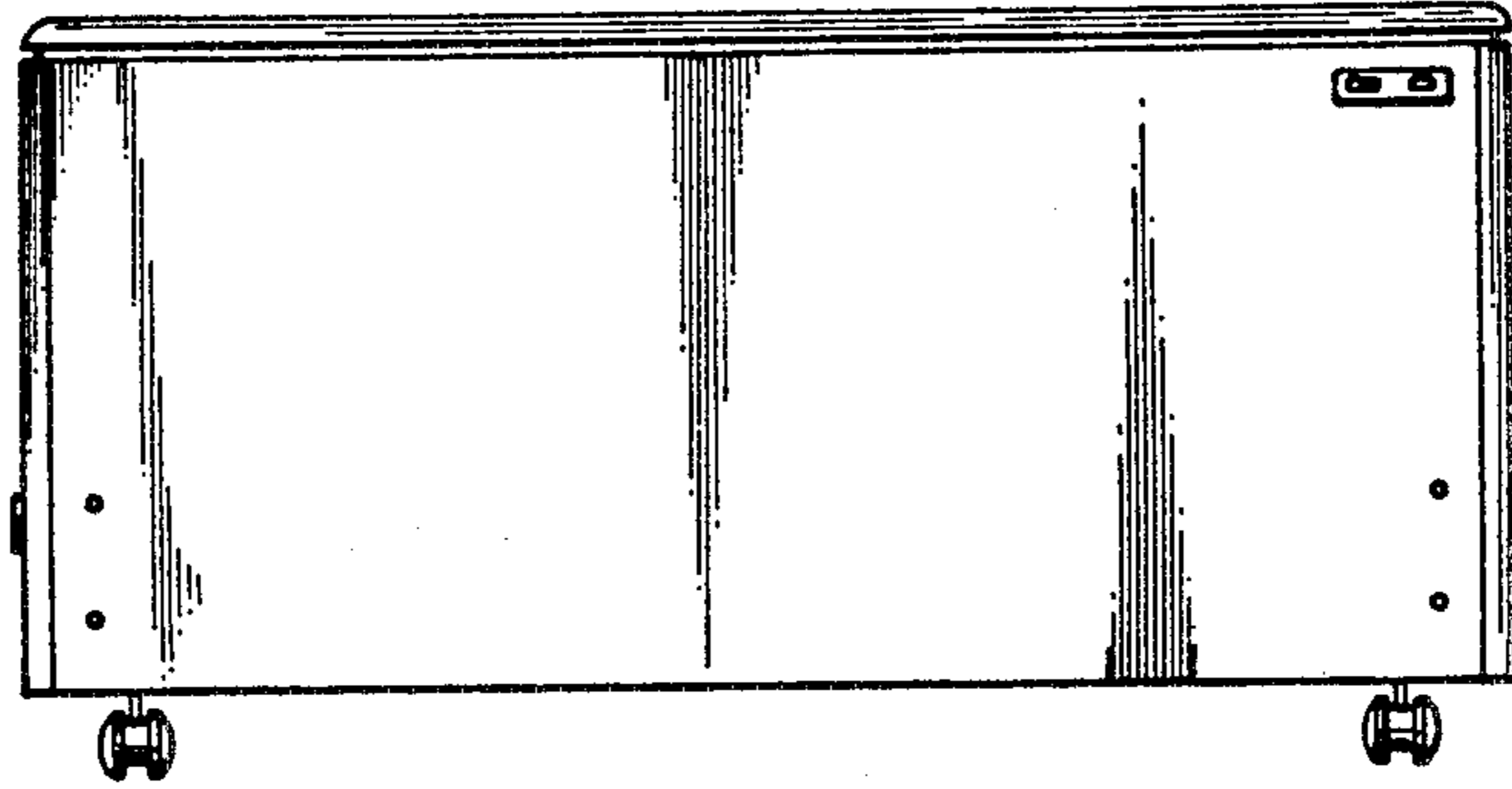


FIG. 2

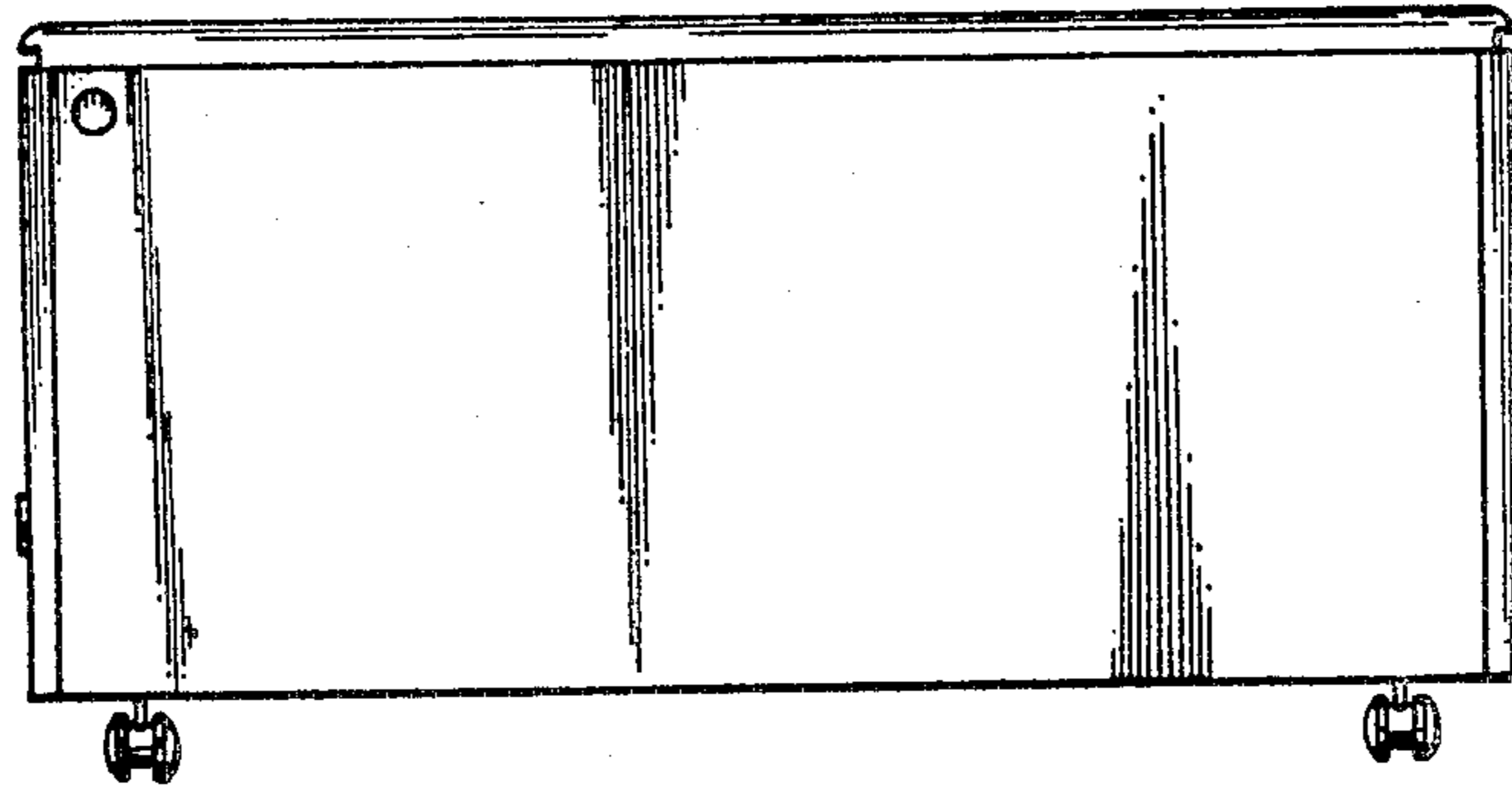


FIG. 3

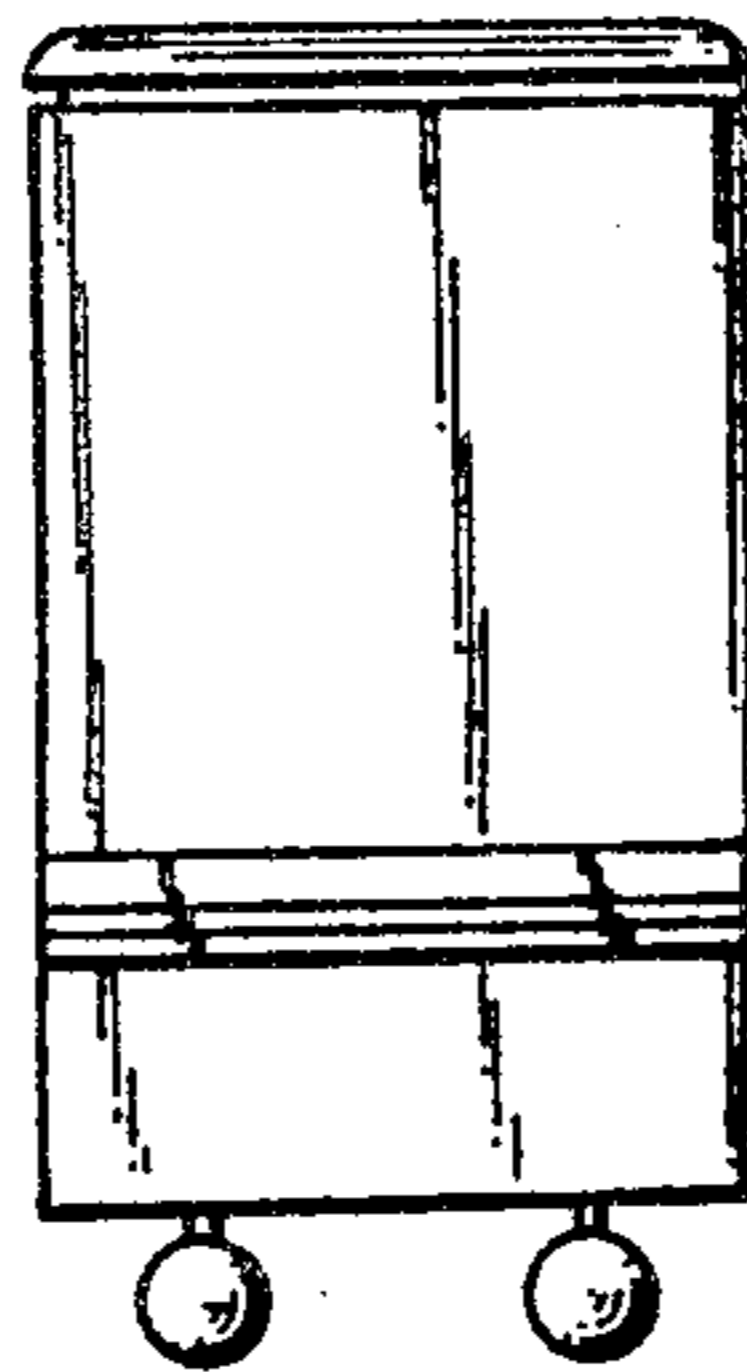


FIG. 4

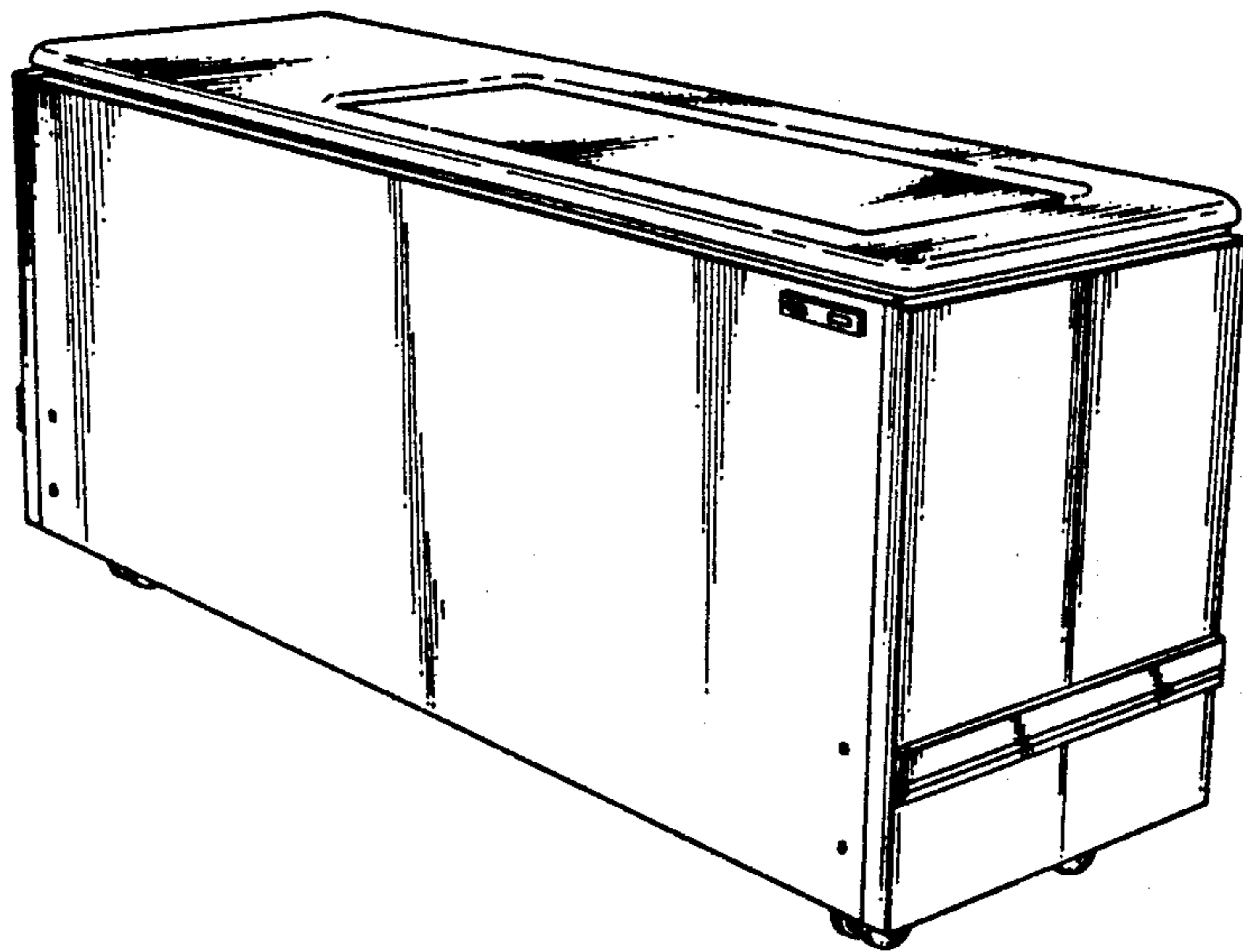


FIG. 5

