

[54] **CORNER CONNECTOR FOR A SHOWCASE**

[75] **Inventor: John C. Cowdroy, Balgowlah, Australia**

[73] **Assignee: Clive Instruments Pty, Ltd., Smithfield, Australia**

[**] **Term: 14 Years**

[21] **Appl. No.: 620,597**

[22] **Filed: Jun. 14, 1984**

[30] **Foreign Application Priority Data**

Dec. 21, 1983 [AU] Australia 6116-83

[52] **U.S. Cl. D6/491; D25/74**

[58] **Field of Search D6/491; D25/74**

[56] **References Cited**

U.S. PATENT DOCUMENTS

D. 242,800 12/1976 Schmidt D25/74 X

D. 255,940 7/1980 Kwan et al. D25/74
D. 265,035 6/1982 Fether et al. D6/491 X
D. 283,348 4/1986 Bancroft D25/74

Primary Examiner—Bruce W. Dunkins
Attorney, Agent, or Firm—Beveridge, DeGrandi & Weilacher

[57] **CLAIM**

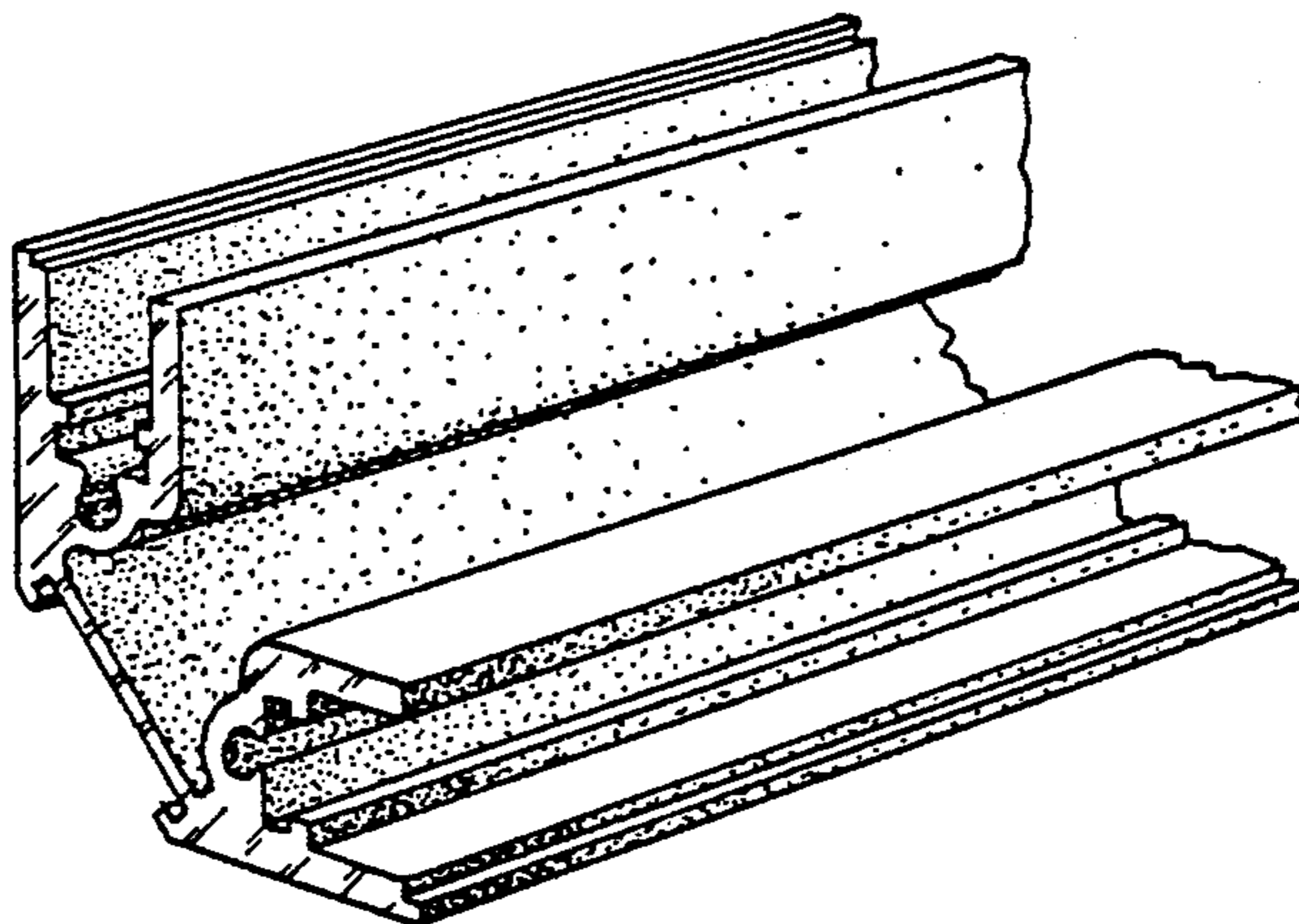
The ornamental design for a corner connector for a showcase, substantially as shown and described.

DESCRIPTION

FIG. 1 is a perspective view of a corner connector for a showcase which shows my design wherein the same is fragmentarily depicted to indicate indeterminate length; and

FIG. 2 is a sectional end view.

The surfaces of the corner connector for a showcase which are not shown in FIGS. 1 and 2 are conventionally flat and unadorned.



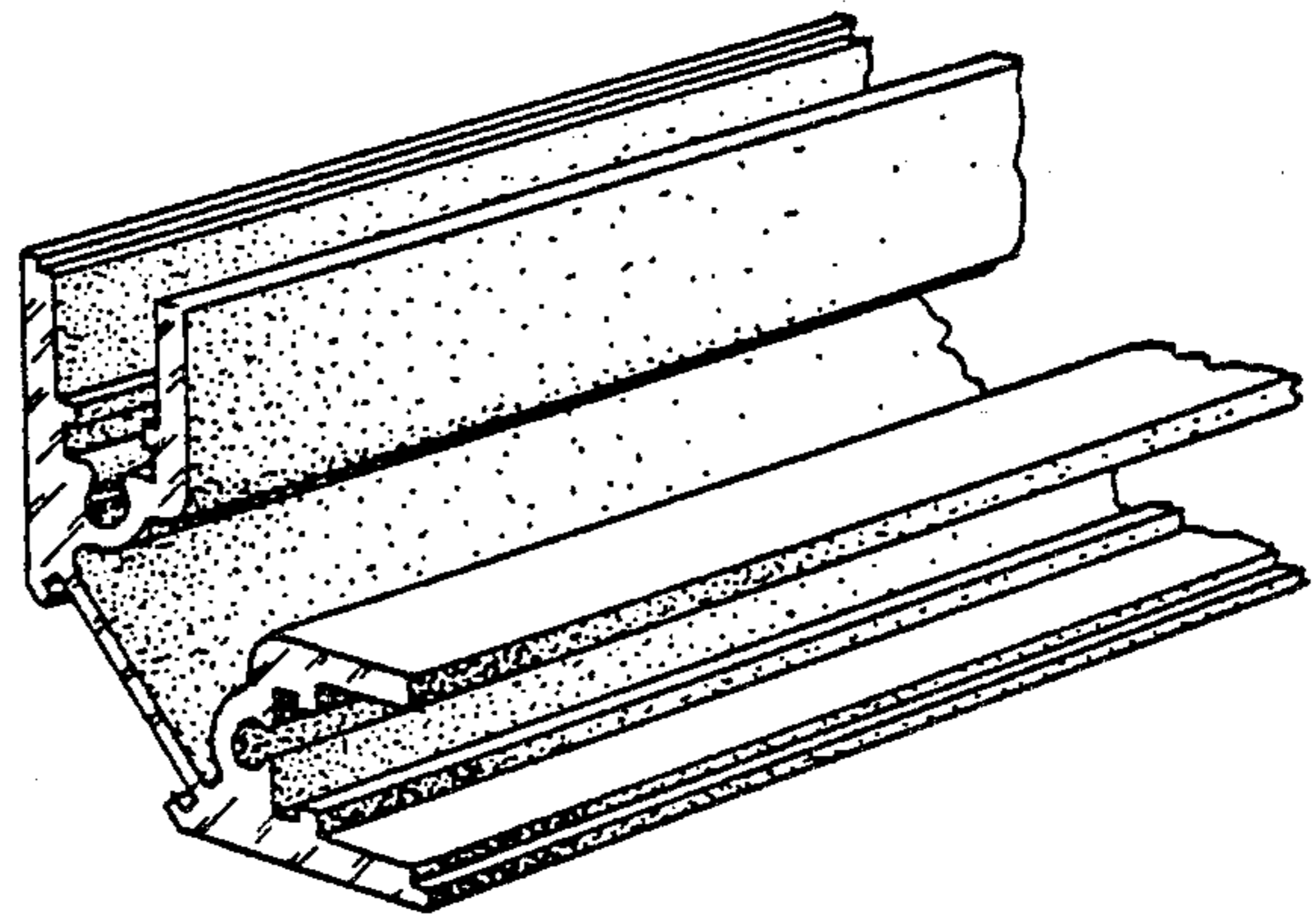


FIG. 1

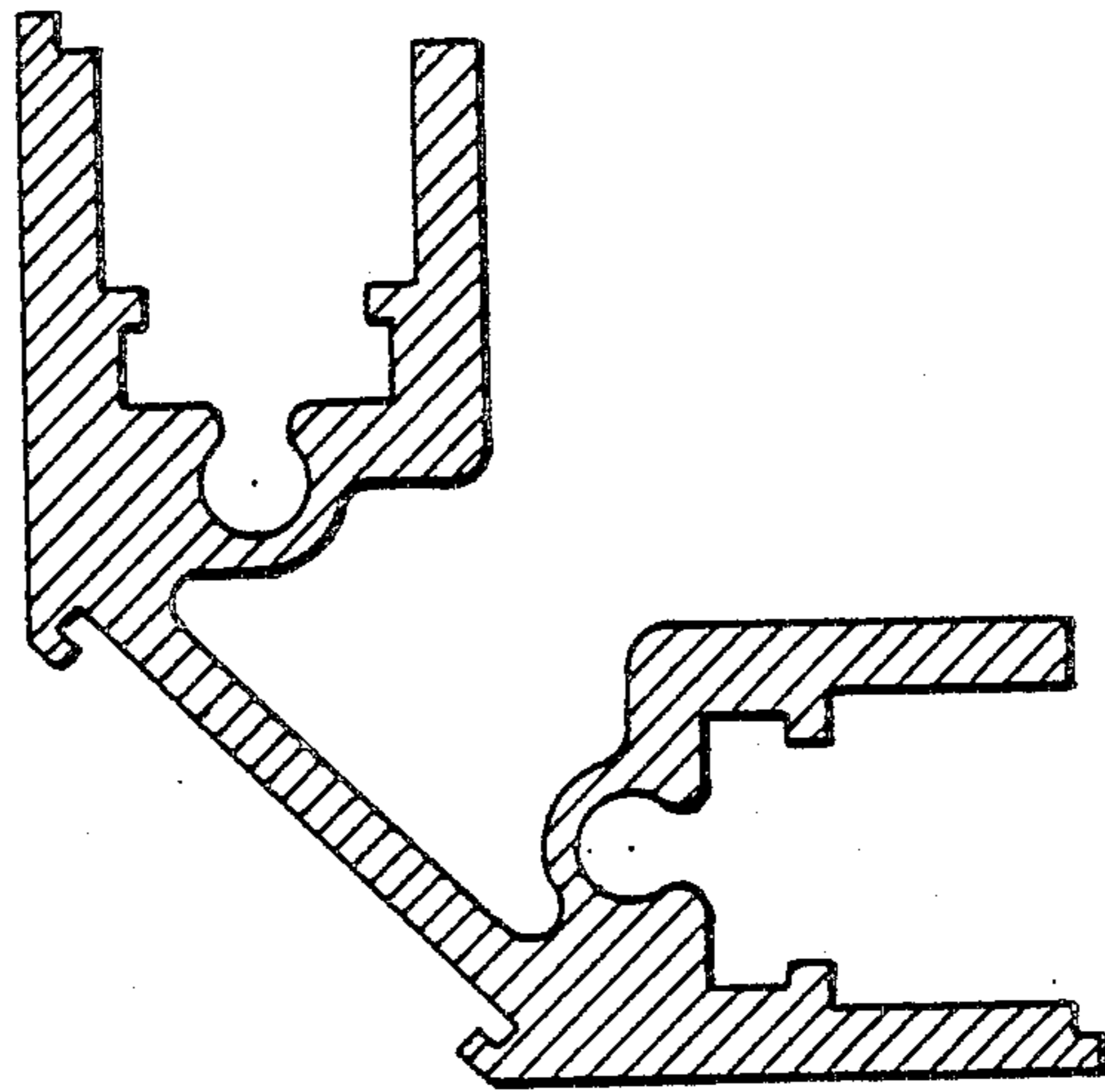


FIG. 2