

[54] **TABLE OR SIMILAR ARTICLE**

[75] **Inventors:** Paolo Favaretto, Via Lovarnini N. 31, 35100 Padova, Italy; James E. Hayward, Port Perry, Canada

[73] **Assignees:** Innovative Metal, Inc.; Paolo Favaretto

[\*\*] **Term:** 14 Years

[21] **Appl. No.:** 594,178

[22] **Filed:** Mar. 28, 1984

[30] **Foreign Application Priority Data**

Sep. 30, 1983 [CA] Canada ..... 30-09-83-1

[52] **U.S. Cl.** ..... **D6/484**

[58] **Field of Search** ..... D6/449, 461, 479, 480, D6/481, 484, 486, 488

[56] **References Cited**

**U.S. PATENT DOCUMENTS**

- D. 145,947 11/1946 Larson ..... D6/487
- D. 180,283 5/1957 Hoven et al. .... D6/487
- D. 236,402 8/1975 Lubke ..... D6/487
- D. 239,891 5/1976 Cipullo ..... D6/487

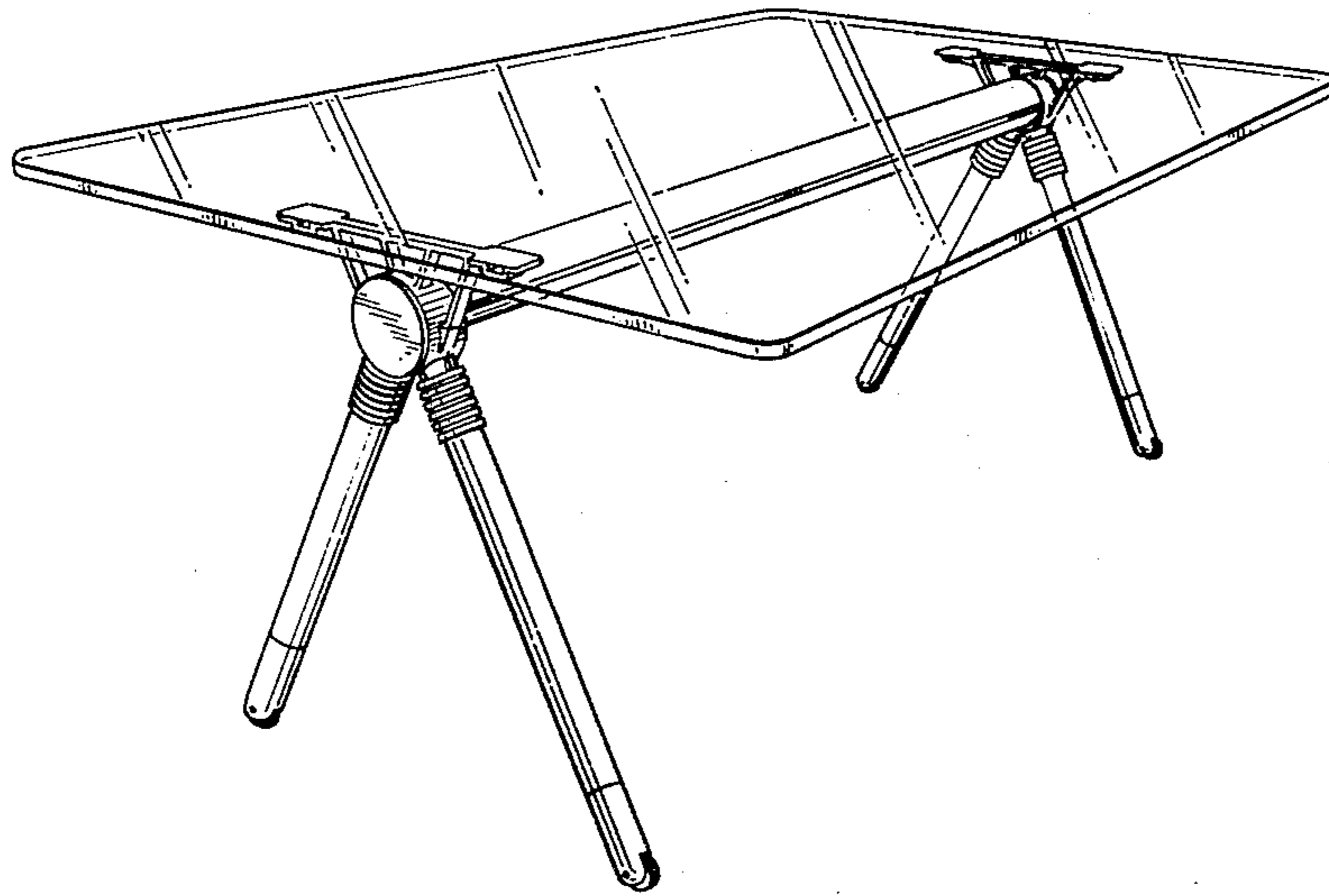
*Primary Examiner*—Bruce W. Dunkins  
*Attorney, Agent, or Firm*—Rogers, Bereskin & Parr

[57] **CLAIM**

The ornamental design for a table or similar article, as shown.

**DESCRIPTION**

FIG. 1 is a perspective view from above and one end of a table or similar article according to our new design; FIG. 2 is a perspective view from below and the opposite end of the desk shown in FIG. 1; FIG. 3 is an elevational view showing one of the two identical ends; and FIG. 4 is an elevational view showing one of the two identical sides.



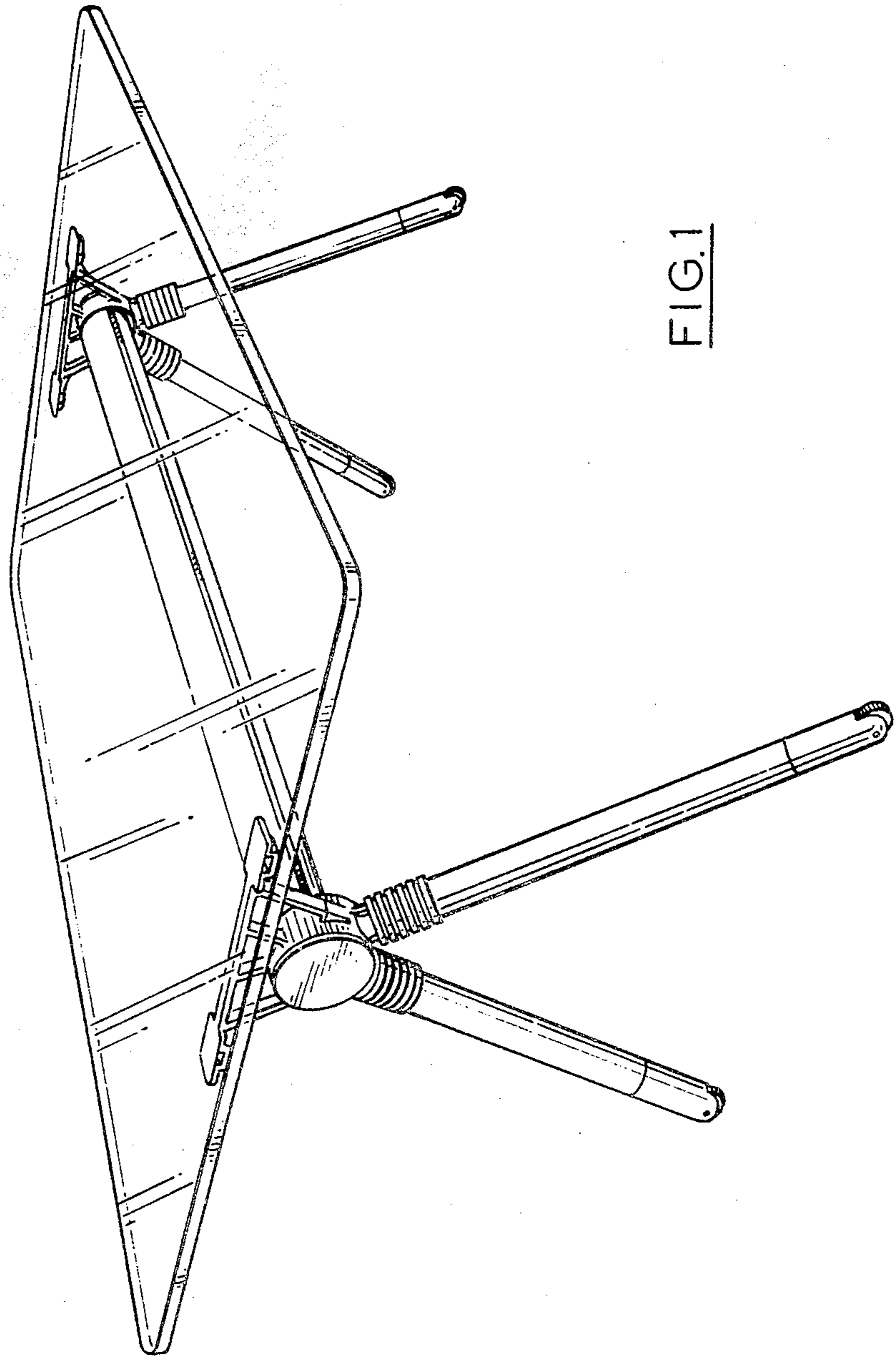


FIG. 1

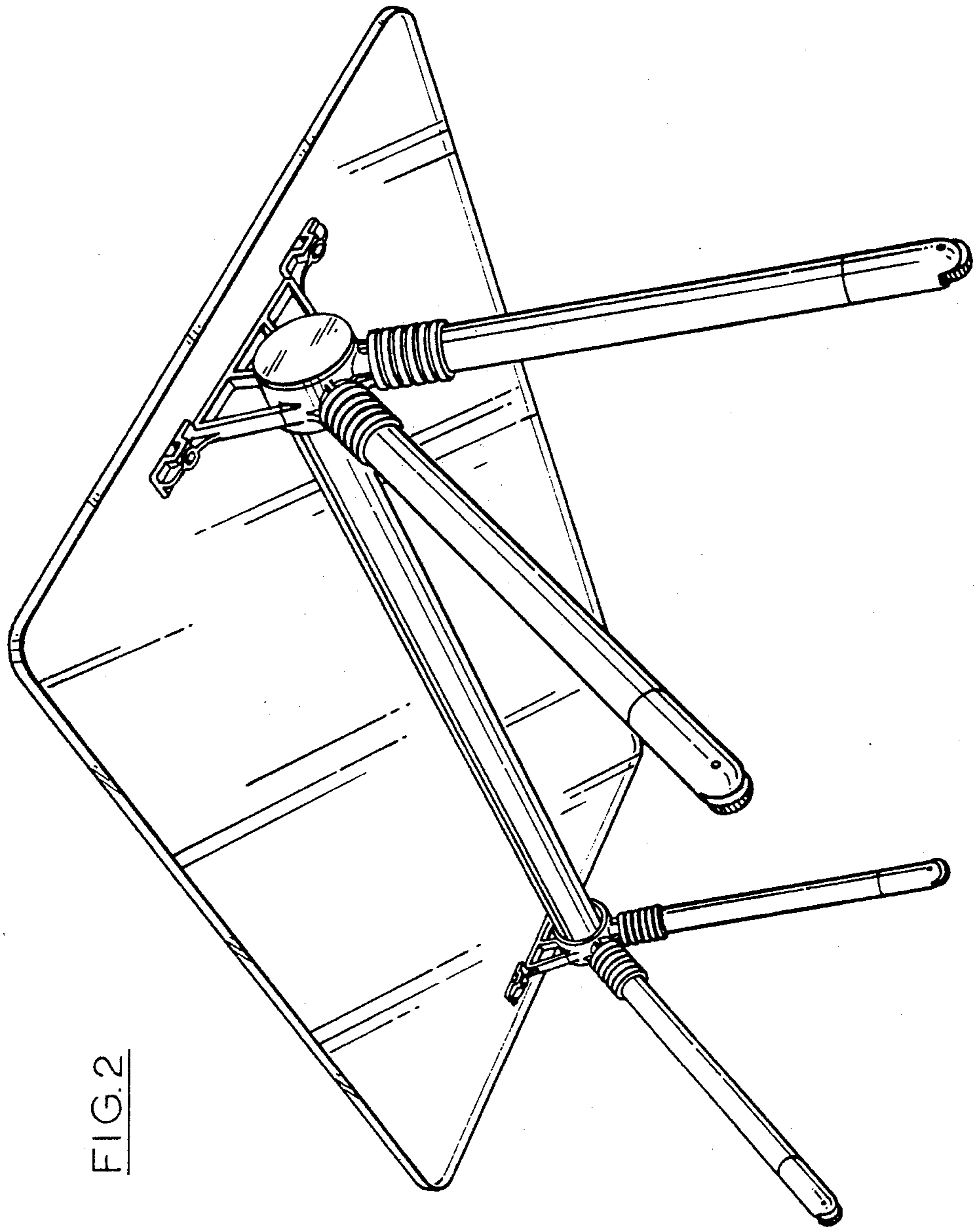


FIG. 2

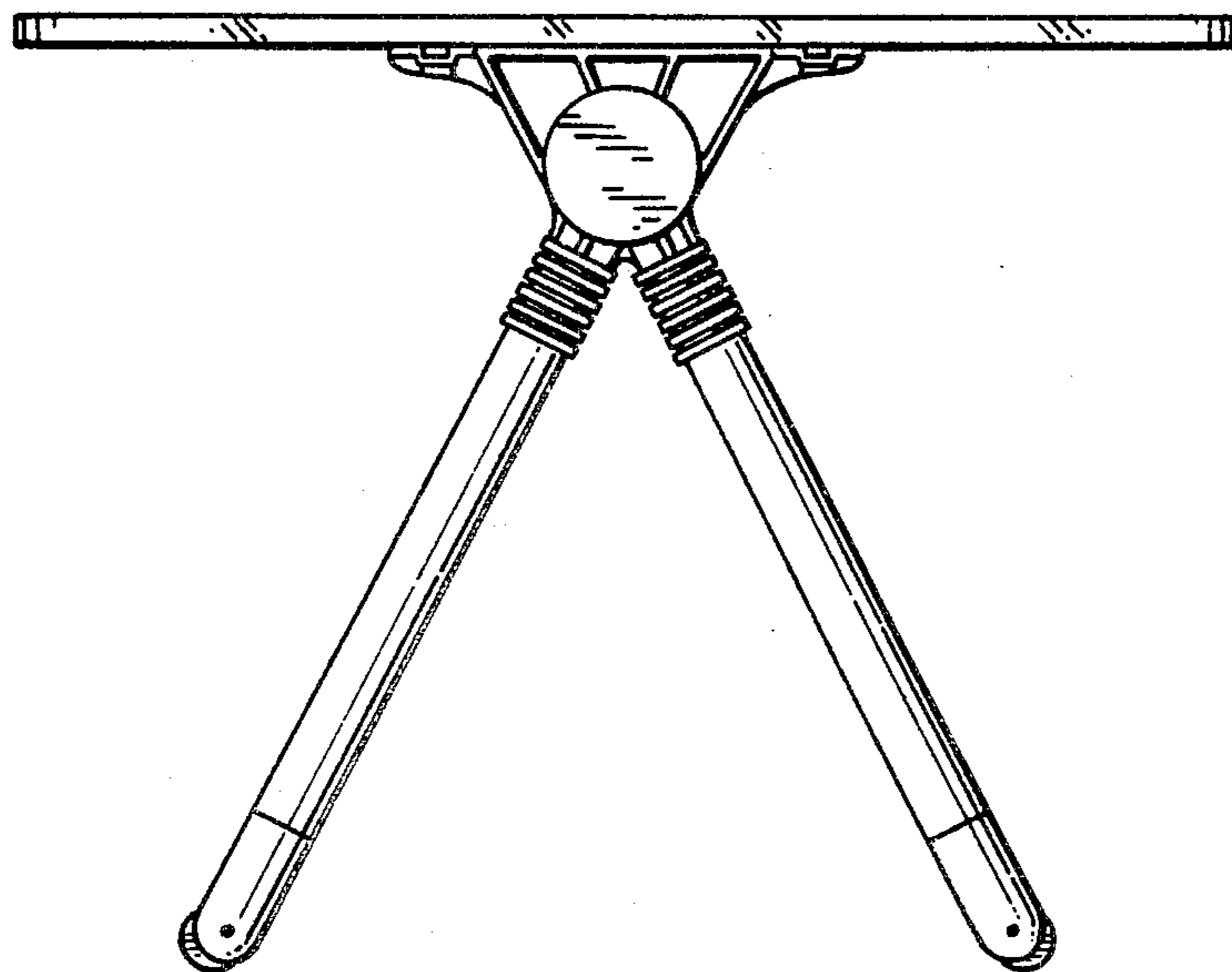


FIG. 3

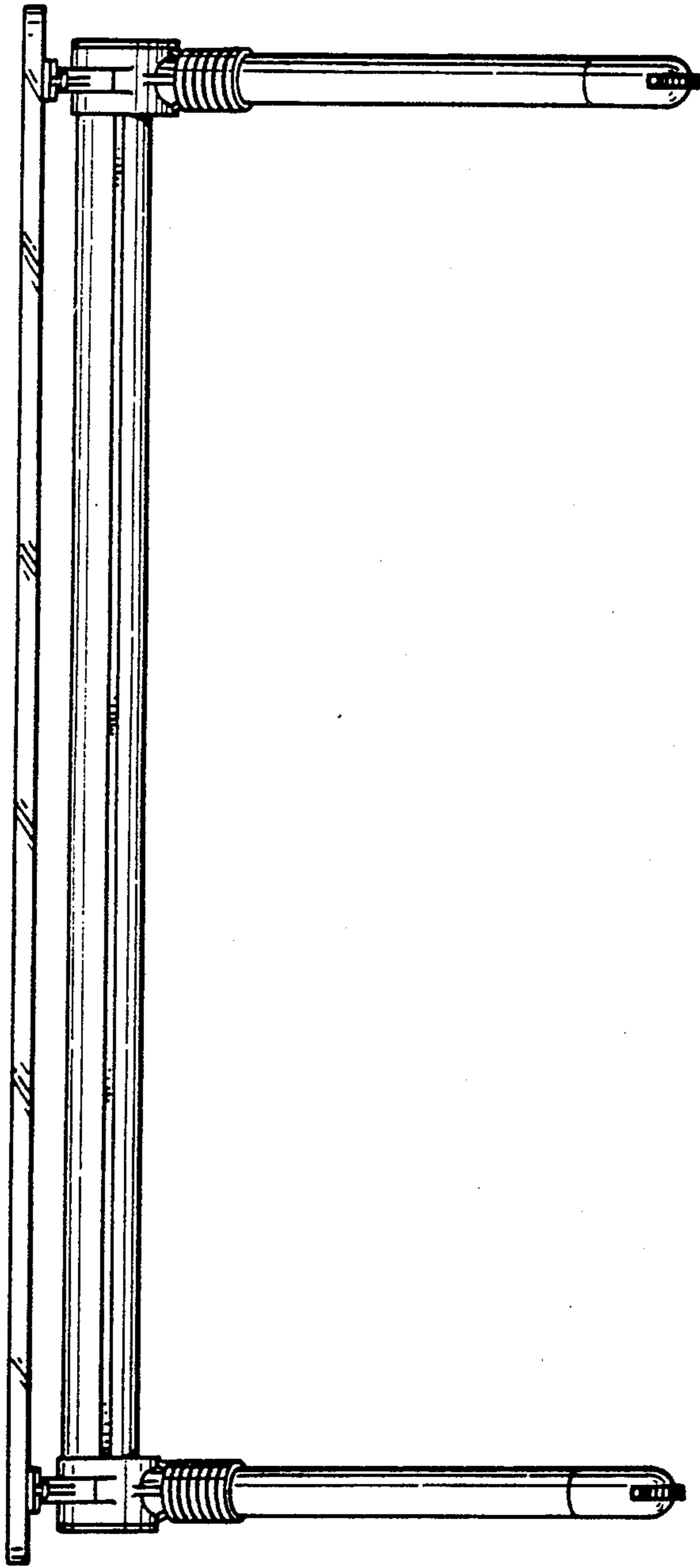


FIG. 4