

[54] WORKBENCH OR SIMILAR ARTICLE

[75] Inventor: Robert H. Cadwallader, Hyde Park, N.Y.

[73] Assignee: University Patents, Inc., Westport, Conn.

[\*\*] Term: 14 Years

[21] Appl. No.: 647,949

[22] Filed: Sep. 6, 1984

[52] U.S. Cl. .... D6/338; D6/336; D6/400; D6/432; D6/477

[58] Field of Search ..... D6/338, 336, 400, 430, D6/432, 477, 480, 418; 297/135, 174; 312/237; 108/137; 269/139, 144

[56] References Cited

U.S. PATENT DOCUMENTS

- D. 266,128 9/1982 Ferdinand et al. .... D6/400
- D. 272,111 1/1984 Anzalone ..... D6/400

- D. 273,739 5/1984 Shapiro ..... D6/400
- D. 279,736 7/1985 Zastera et al. .... D6/400
- 4,139,916 2/1979 Alford, Sr. .... D6/336 X
- 4,169,606 10/1979 Hickman ..... 269/139

Primary Examiner—Bruce W. Dunkins  
Attorney, Agent, or Firm—Barbara A. Shimei

[57] CLAIM

The ornamental design for a workbench or similar article, substantially as shown and described.

DESCRIPTION

FIG. 1 is a left side elevational view of a workbench or similar article showing my new design, the right side elevational view being substantially the mirror image of said left side elevational view;

FIG. 2 is a top plan view thereof;

FIG. 3 is a bottom plan view thereof;

FIG. 4 is a front elevational view thereof;

FIG. 5 is a rear elevational view thereof; and

FIG. 6 is a perspective view thereof.

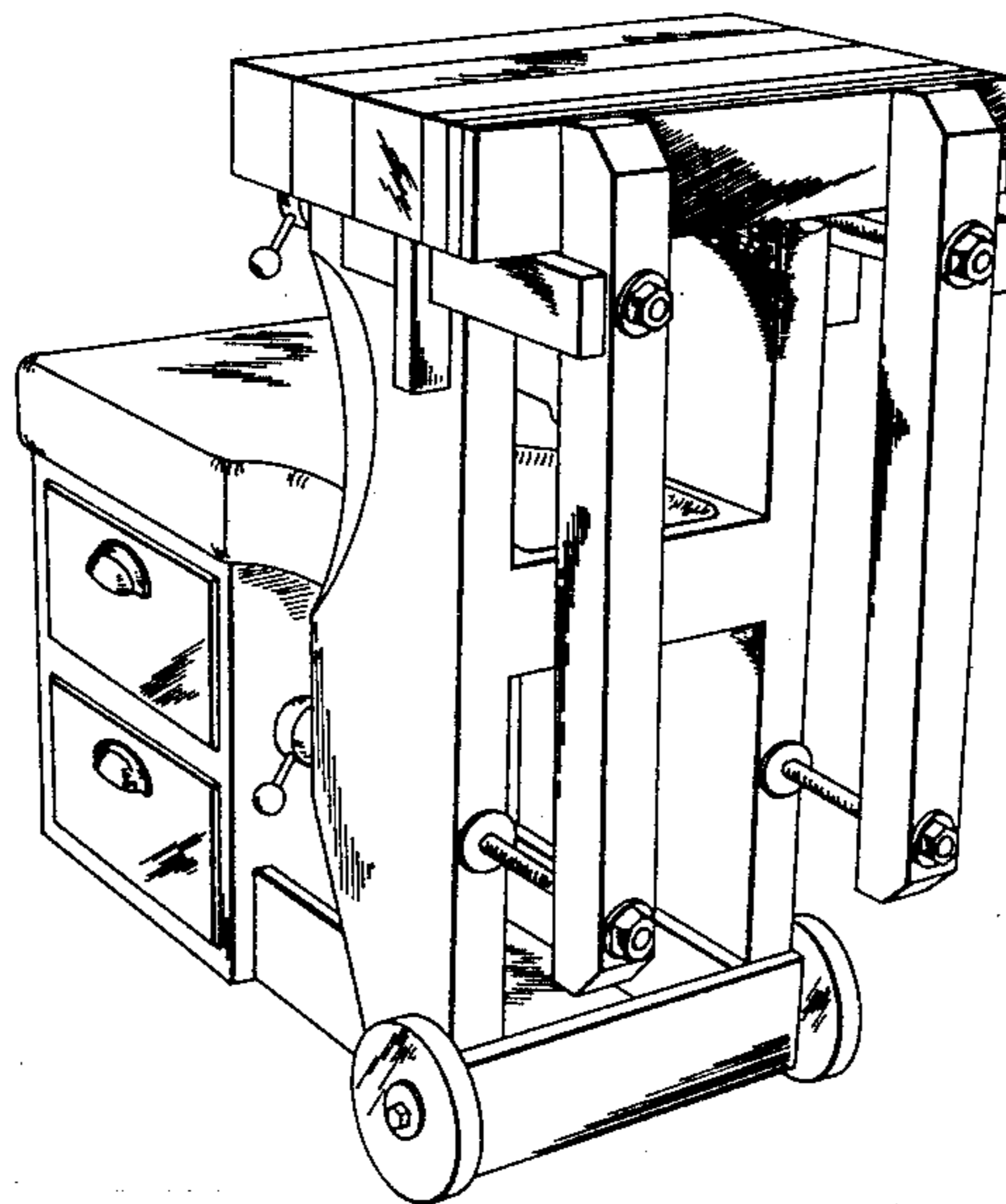
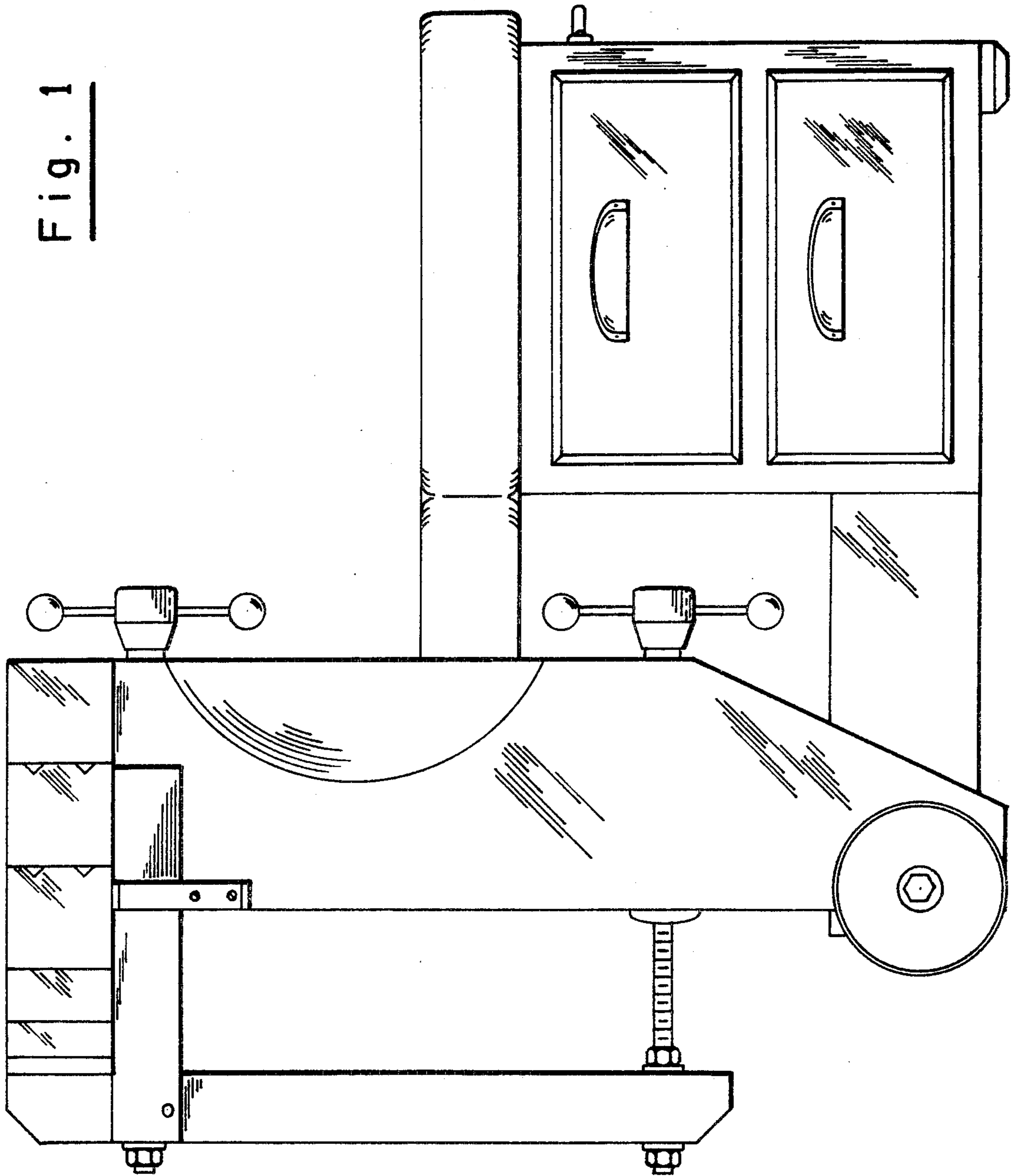


Fig. 1



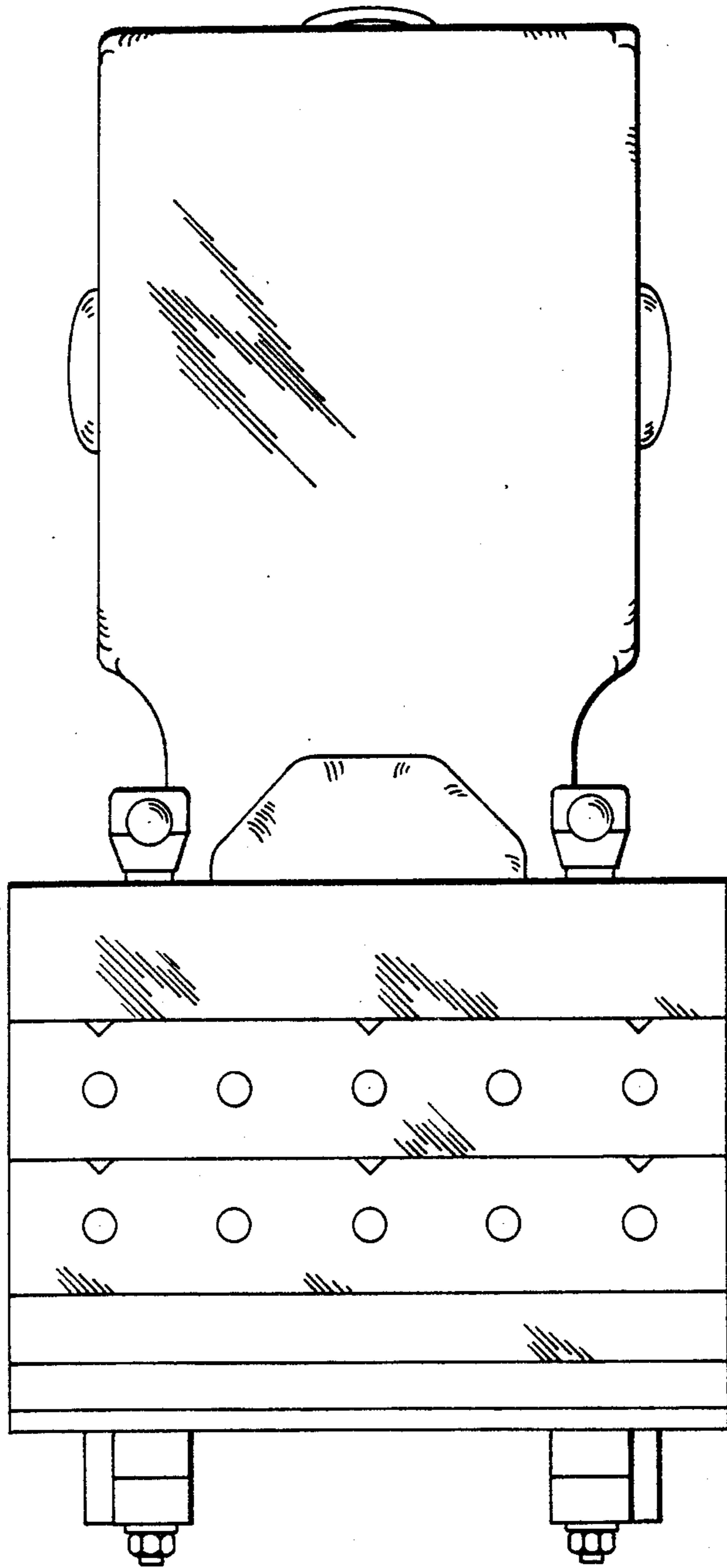


Fig. 2

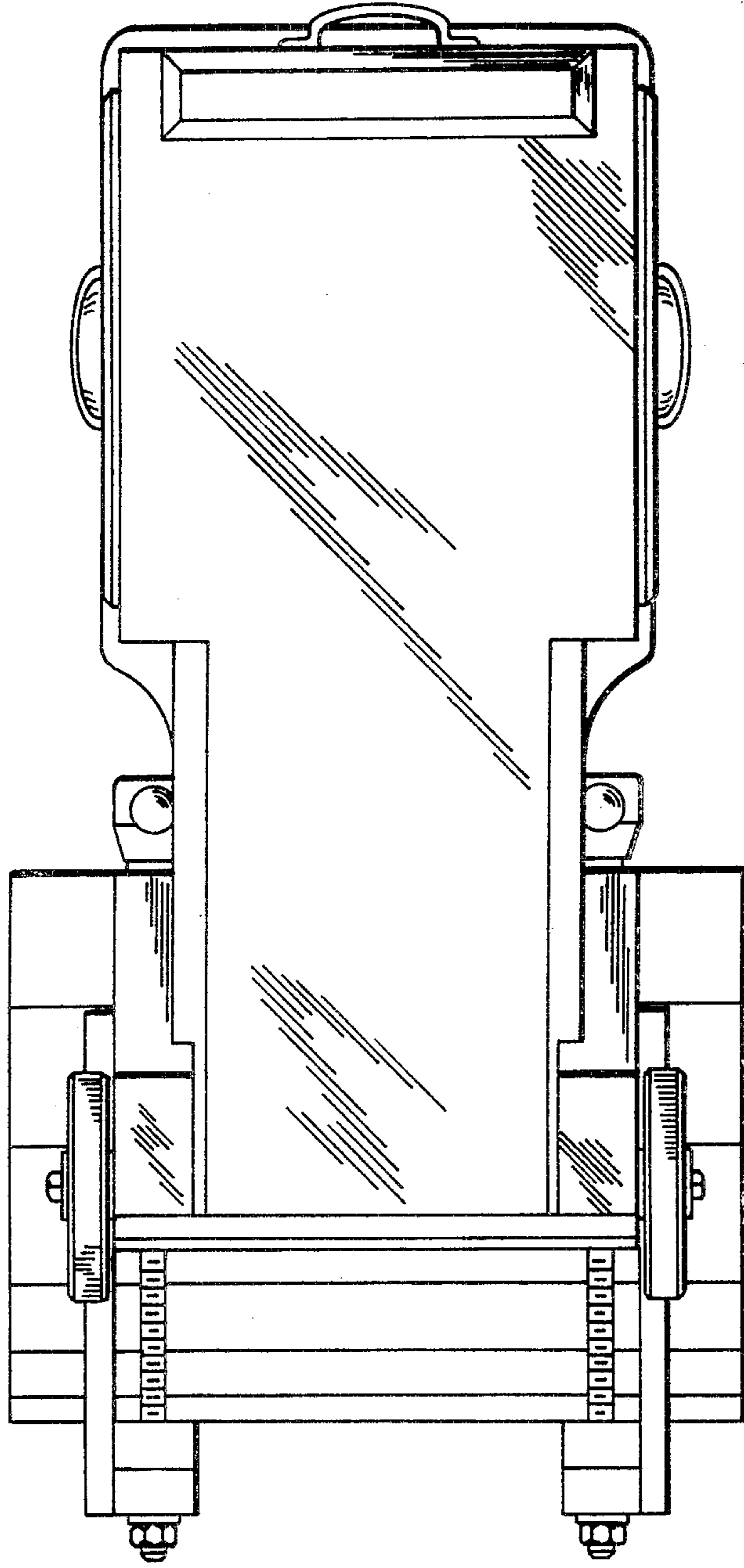


Fig. 3

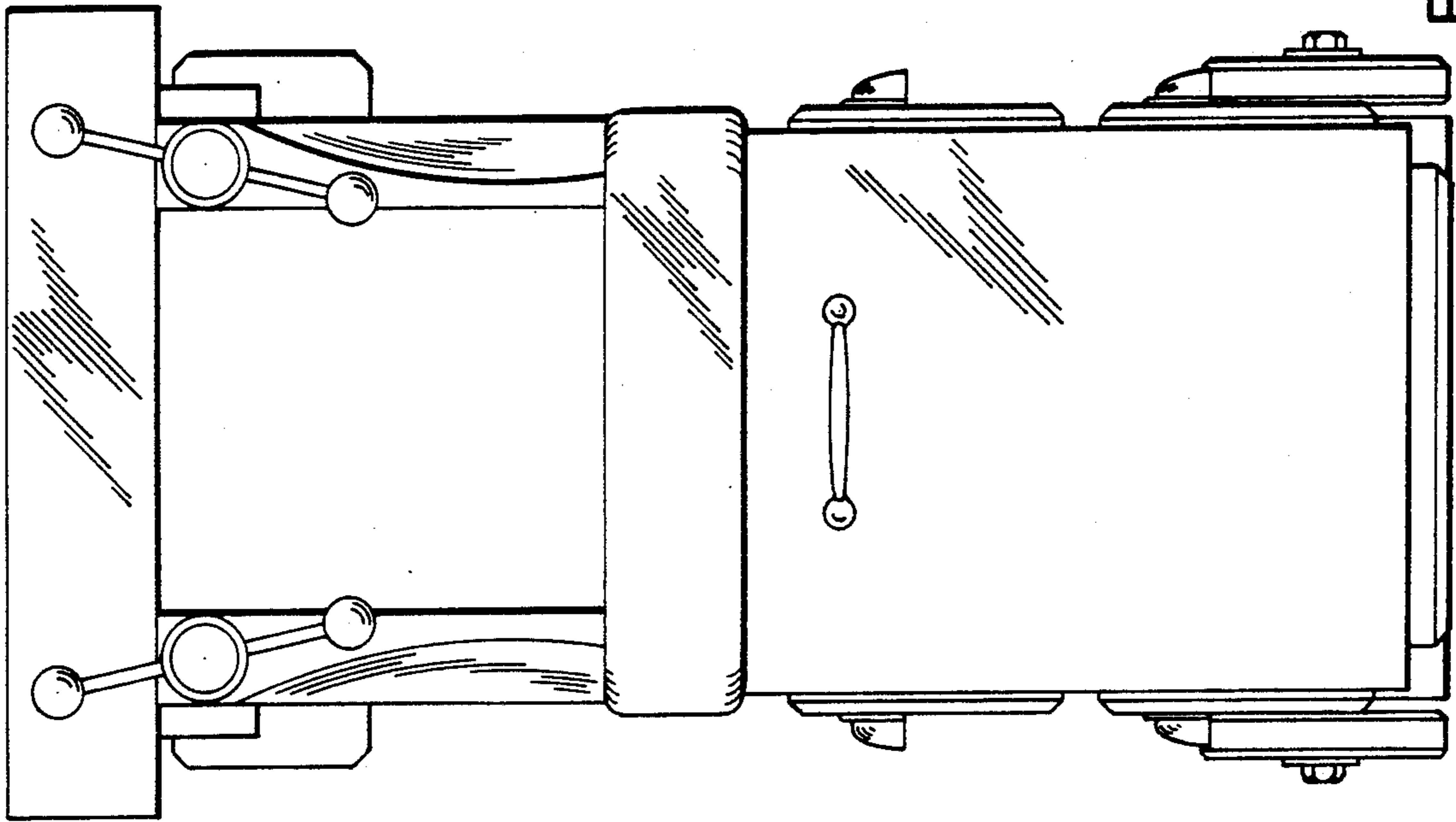


Fig. 5

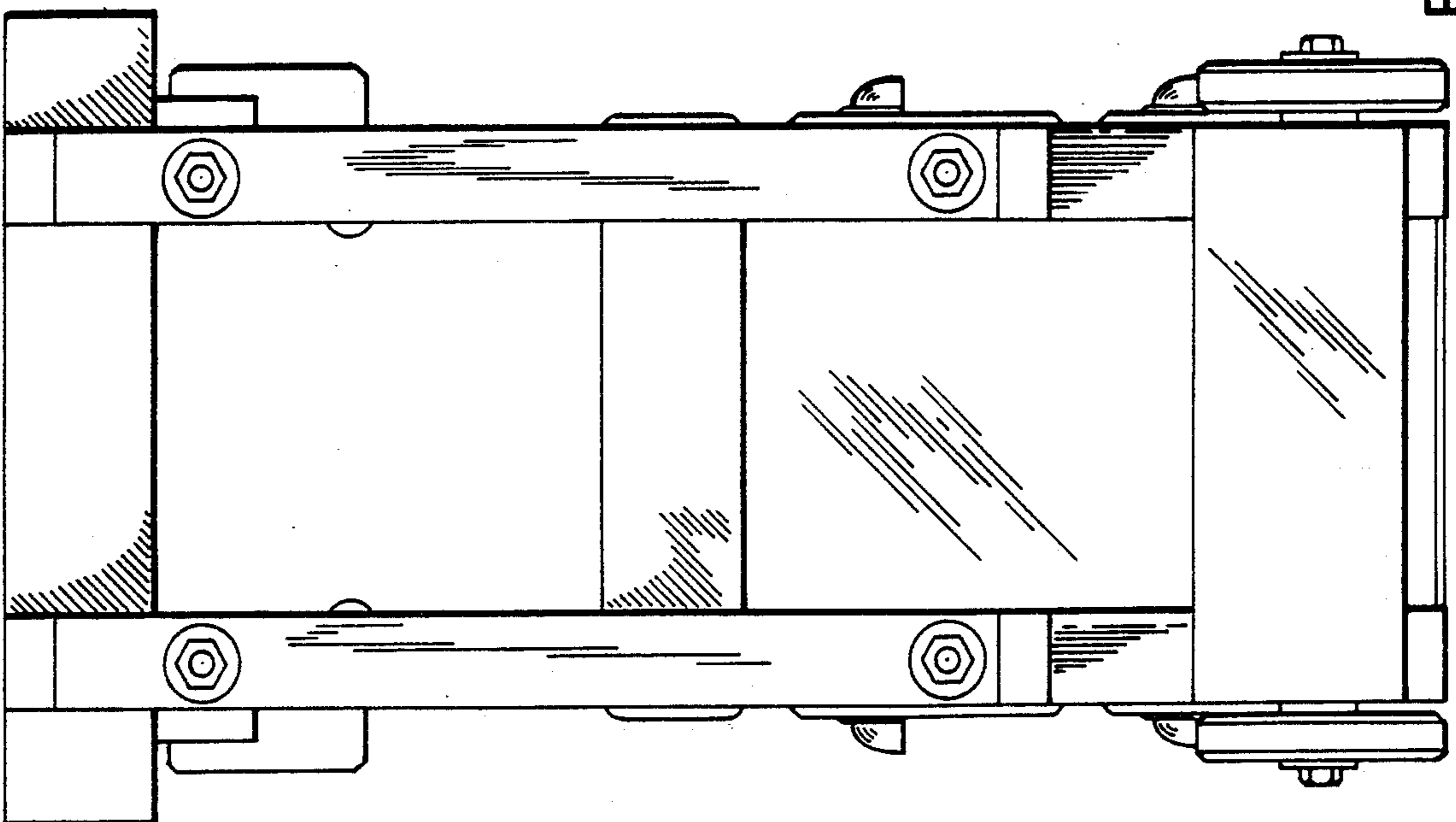


Fig. 4

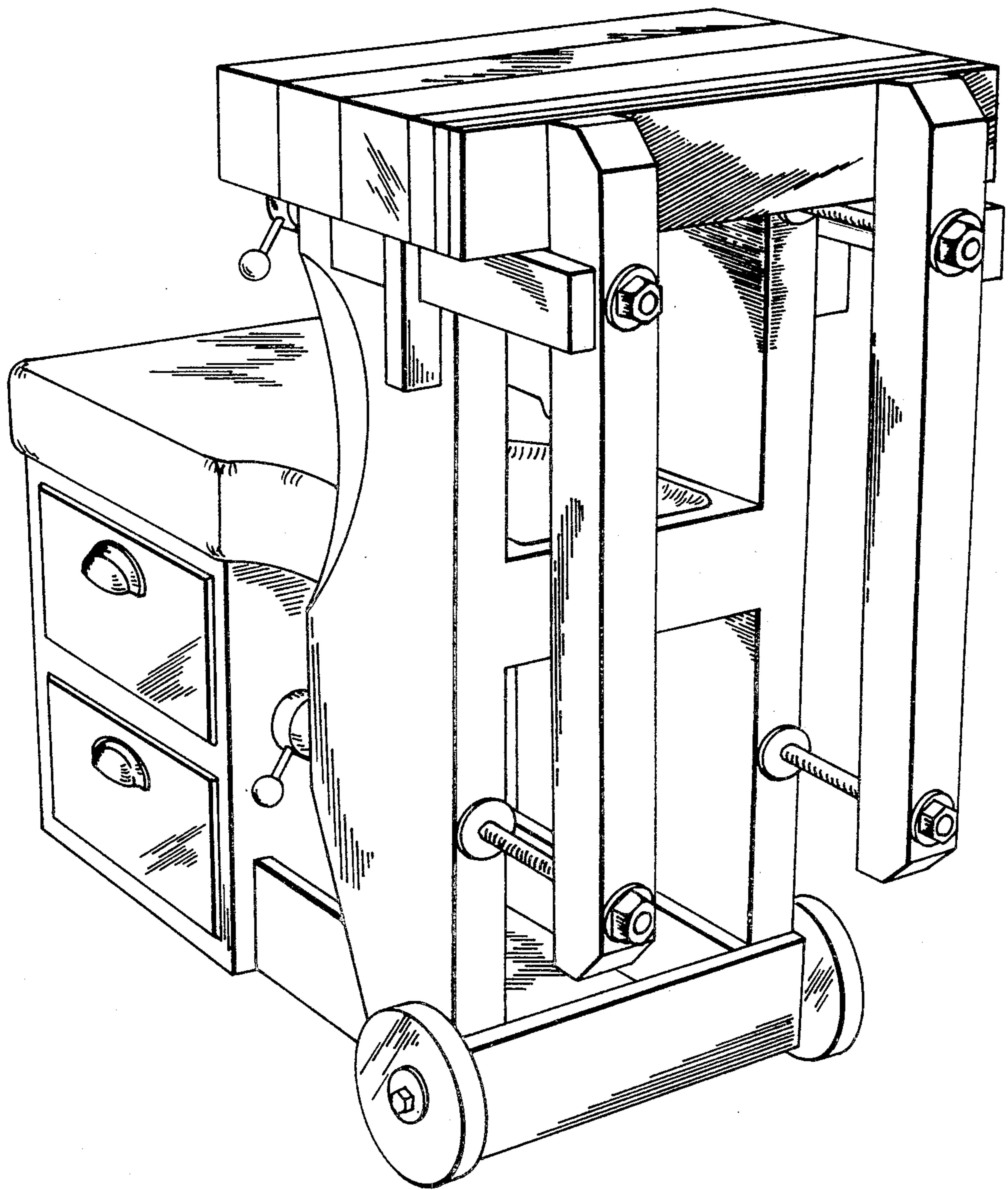


Fig. 6