

[54] LUGGAGE

[75] Inventor: Henry L. Vuitton, Paris, France

[73] Assignee: Louis Vuitton S.A., Paris, France

[**] Term: 14 Years

[21] Appl. No.: 601,903

[22] Filed: Apr. 19, 1984

[30] Foreign Application Priority Data

Oct. 20, 1983 [FR] France 833817
Mar. 29, 1984 [FR] France 841426

[52] U.S. Cl. D3/71; D3/76

[58] Field of Search D3/30.1, 42, 47, 70,
D3/76, 77, 71, 53; 190/100, 103-105, 110, 115

[56] References Cited

U.S. PATENT DOCUMENTS

D. 36,300 4/1903 Rock D3/70
D. 82,782 12/1930 Apter D3/70
D. 108,254 2/1938 Wheary D3/76

D. 126,626 4/1941 Katz D3/76
D. 129,108 8/1941 Sprague D3/70
D. 199,833 12/1964 Judson D3/76
D. 250,365 11/1978 Suzuki D3/53

OTHER PUBLICATIONS

Vogue, 6/50, p. 13.

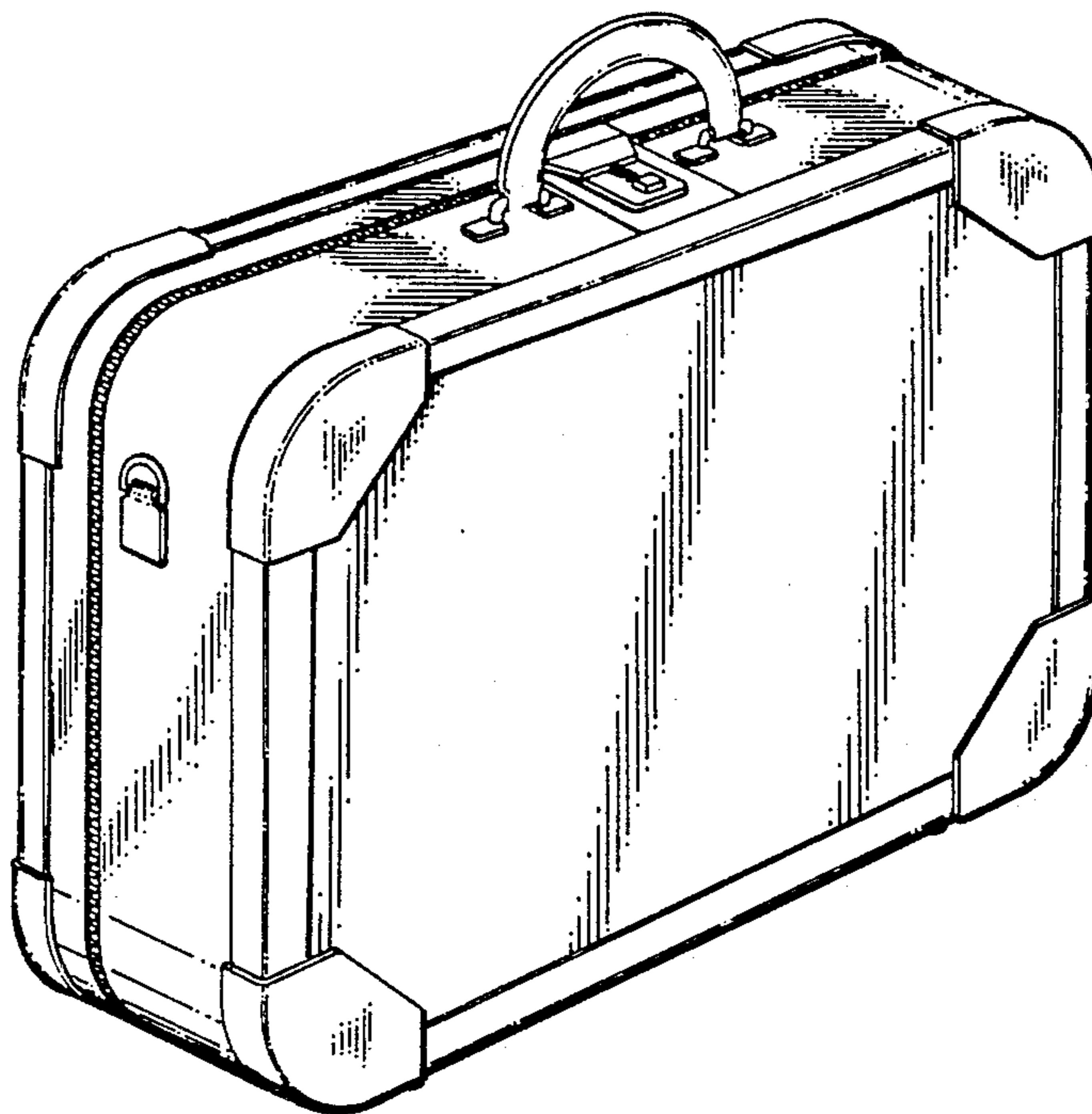
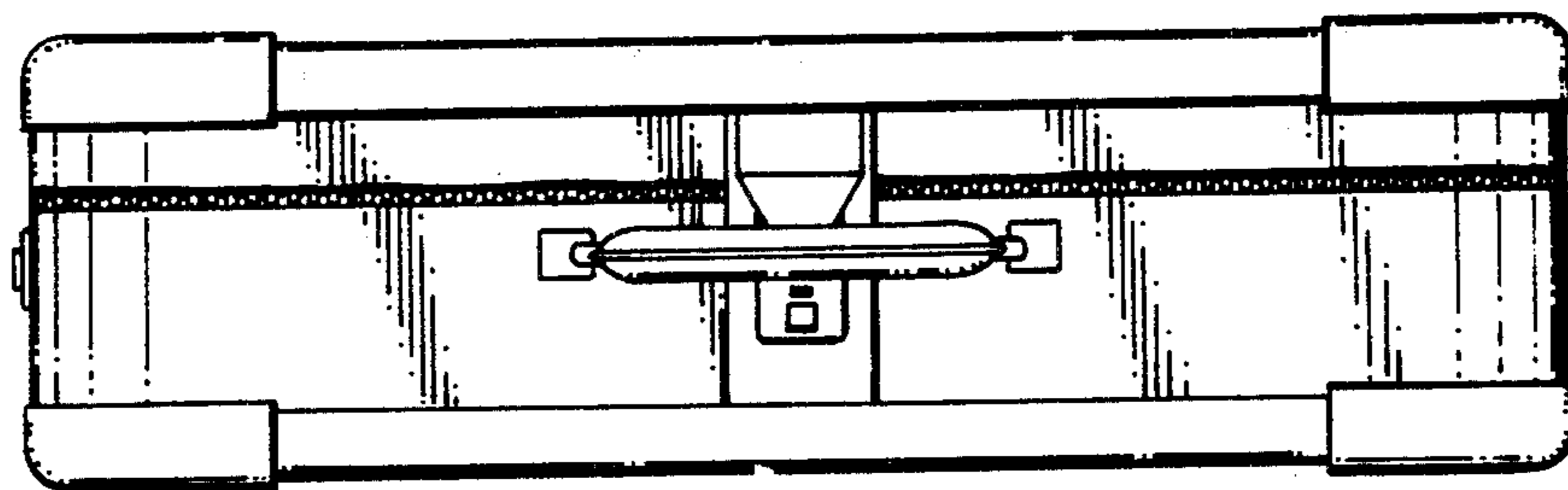
Primary Examiner—George P. Word
Attorney, Agent, or Firm—Merchant, Gould, Smith,
Edell, Welter & Schmidt

[57] CLAIM

The ornamental design for luggage, as shown and described.

DESCRIPTION

FIG. 1 is a perspective view of luggage showing my new design;
FIG. 2 is a front elevational view thereof;
FIG. 3 is a rear elevational view thereof;
FIG. 4 is a left end elevational view thereof;
FIG. 5 is a top plan thereof; and
FIG. 6 is a bottom plan thereof.



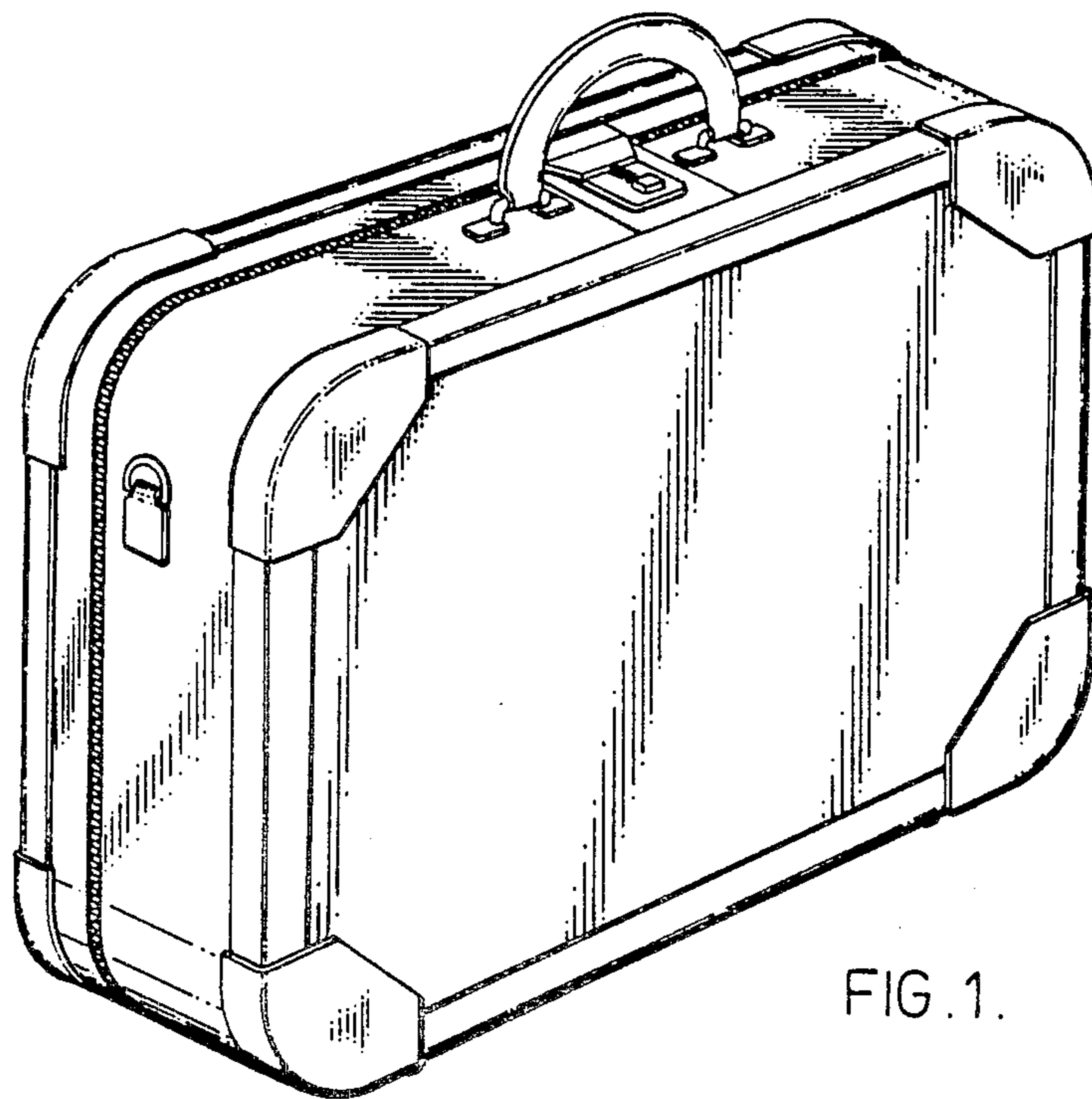


FIG. 1.

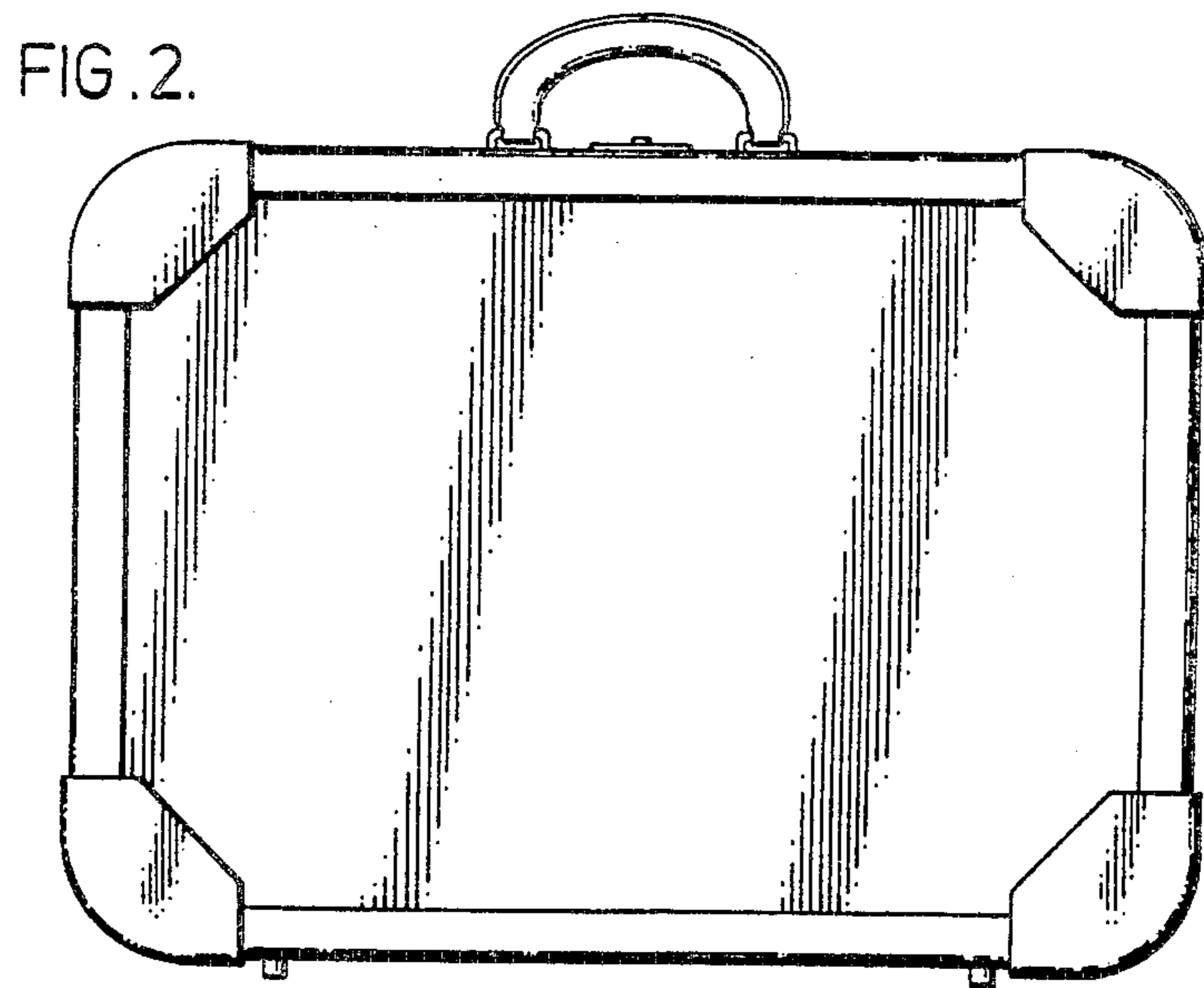


FIG. 2.

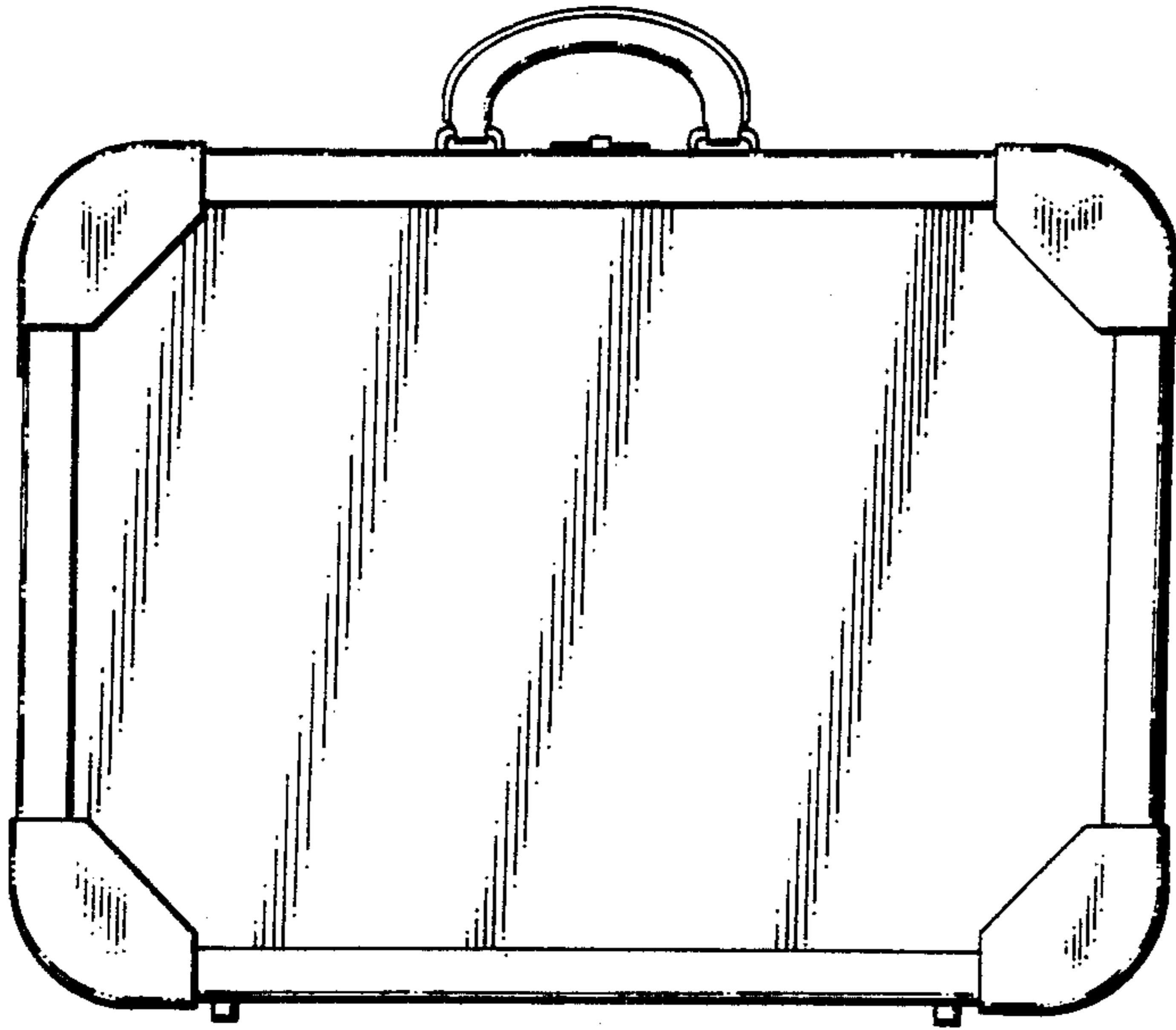


FIG. 3.

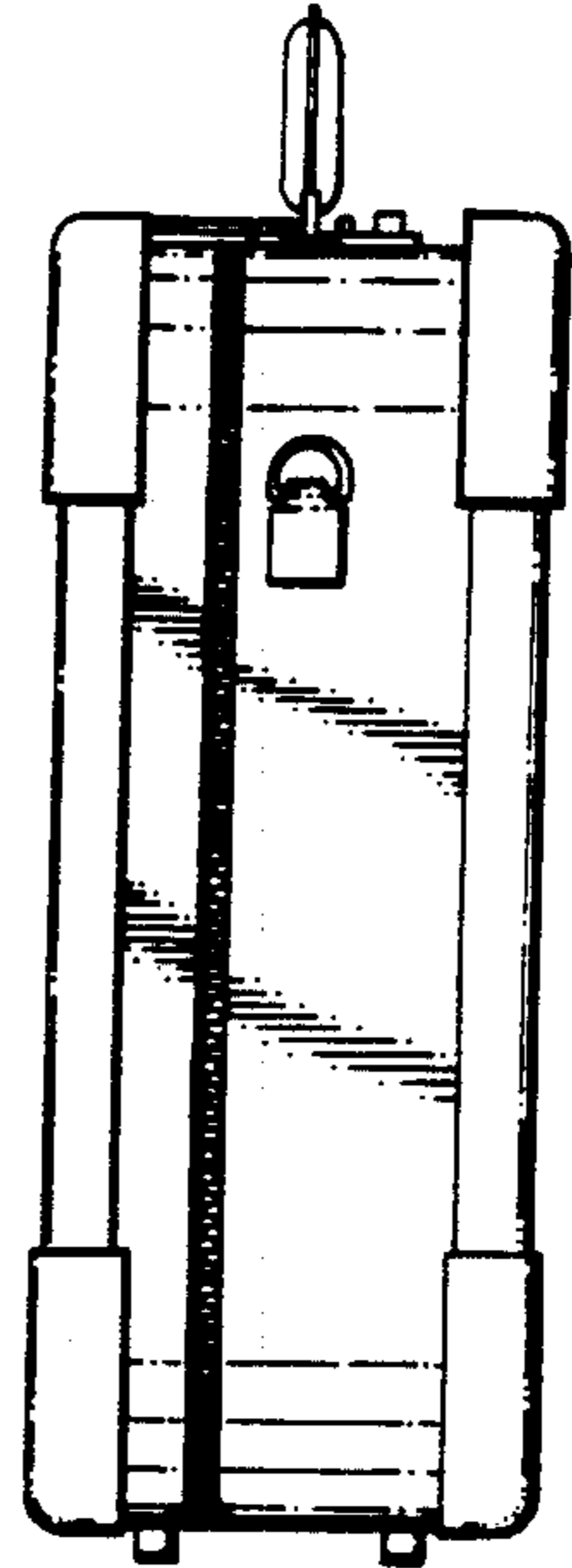


FIG. 4.

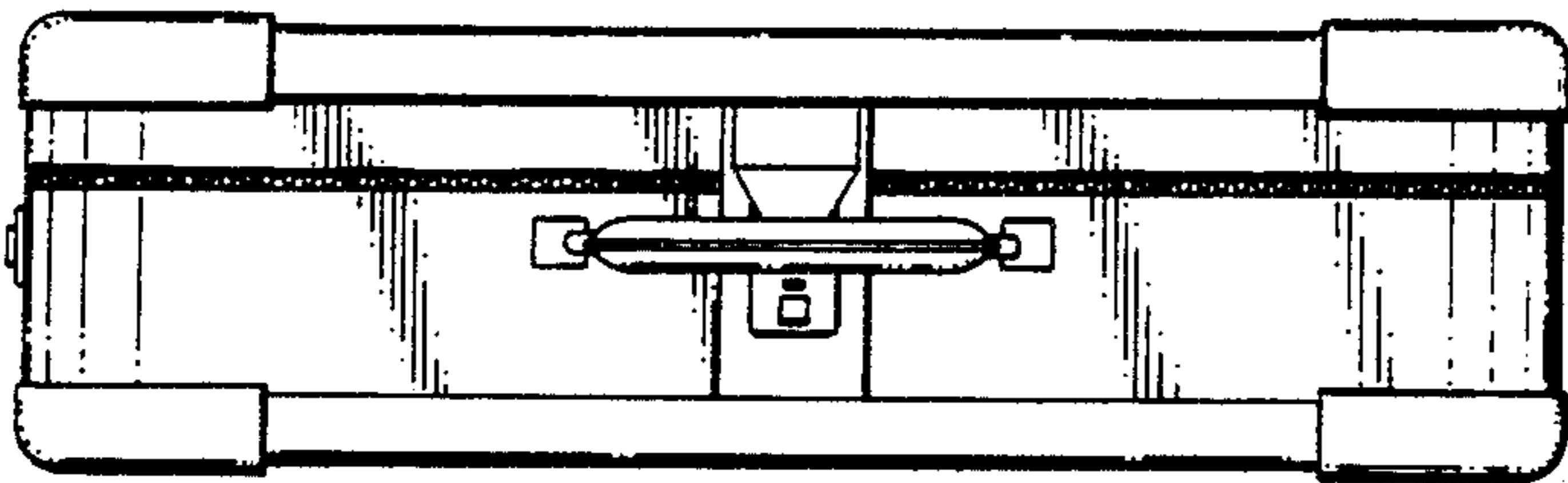


FIG. 5.

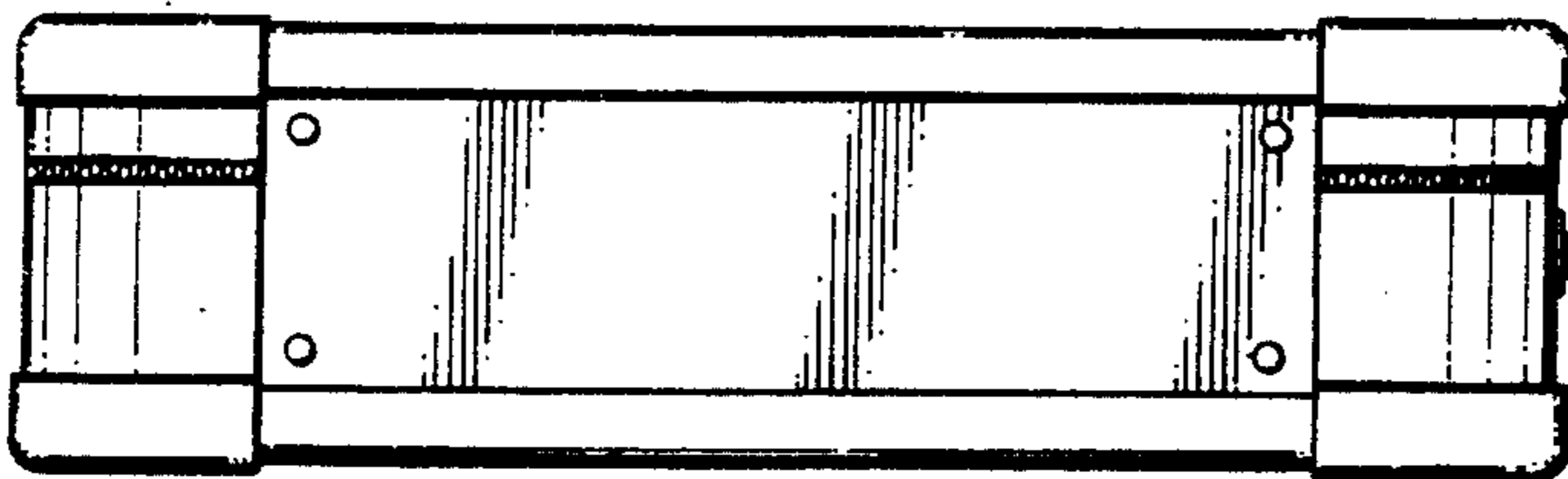


FIG. 6.