

# United States Patent [19]

Miyoshi

[11] Patent Number: **Des. 288,852**

[45] Date of Patent: **\*\* Mar. 17, 1987**

[54] **DISPOSABLE INHALER**

[75] Inventor: **Shigeharu Miyoshi, Tokyo, Japan**

[73] Assignee: **Aruman Co., Ltd., Tokyo, Japan**

[\*\*] Term: **14 Years**

[21] Appl. No.: **645,353**

[22] Filed: **Aug. 29, 1984**

[52] U.S. Cl. .... **D24/62; D27/7**

[58] Field of Search ..... **D24/62; D27/7, 2;  
128/202.21, 203.21, 203.23, 204.13; 131/187**

[56] **References Cited**

**U.S. PATENT DOCUMENTS**

D. 32,151	1/1900	Stevens	.....	D24/62
D. 214,972	8/1969	Katerndahl	.....	D24/62
2,425,624	8/1947	Lardinois	.....	128/202.21
2,860,638	11/1958	Bartolomeo	.....	128/202.21

2,954,779	10/1960	Lebert	.....	131/187
3,521,643	7/1970	Toth	.....	128/202.21
4,038,994	8/1977	Aikman	.....	131/187
4,201,232	5/1980	Kaye	.....	131/187
4,227,540	10/1980	Edison	.....	131/187
4,254,782	3/1981	Ligeti	.....	131/187

*Primary Examiner*—Catherine E. Kemper  
*Attorney, Agent, or Firm*—Wenderoth, Lind & Ponack

[57] **CLAIM**

The ornamental design for disposable inhaler, substantially as shown.

**DESCRIPTION**

FIG. 1 is a top plan view of the disposable inhaler showing the new design;

FIG. 2 is a side elevation view thereof;

FIG. 3 is a front end elevation view thereof;

FIG. 4 is a rear end elevation view thereof; and

FIG. 5 is a perspective view thereof.

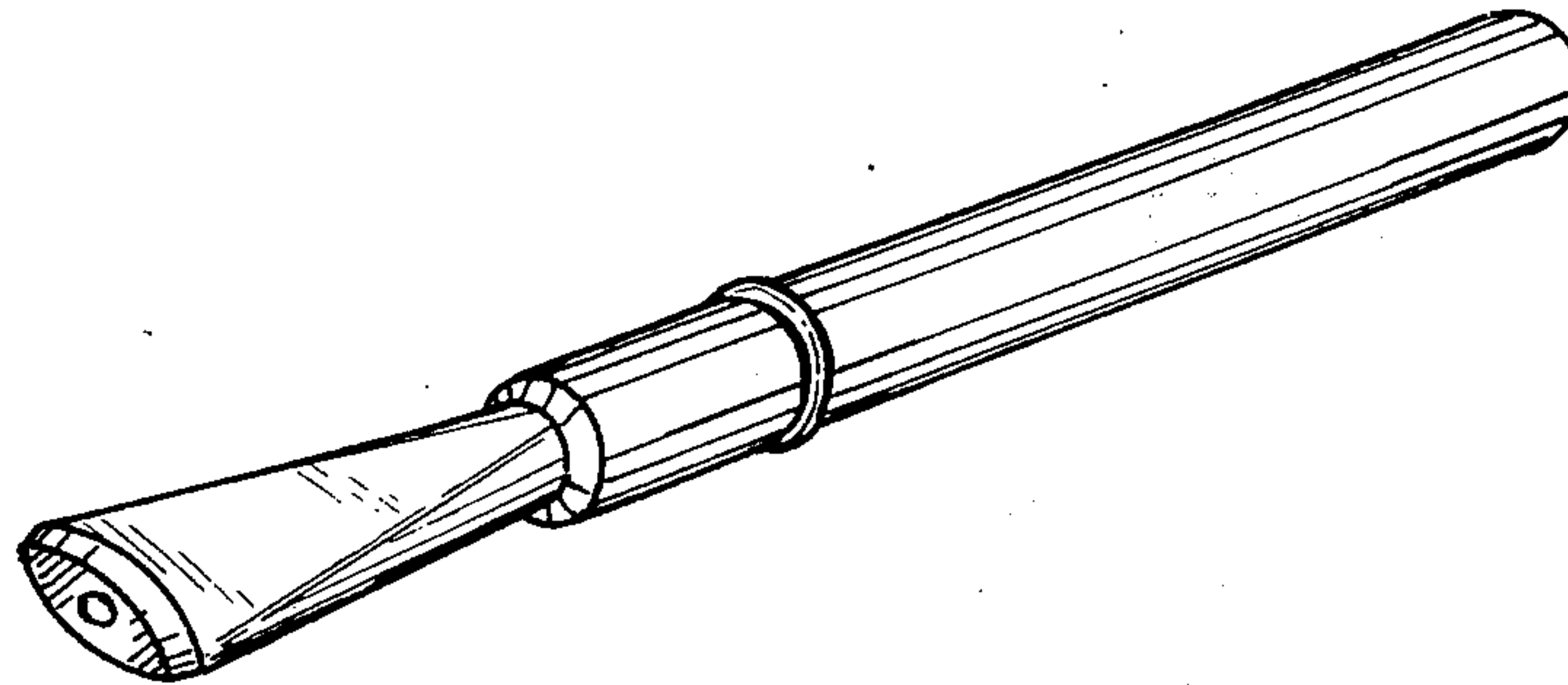


FIG. 1.

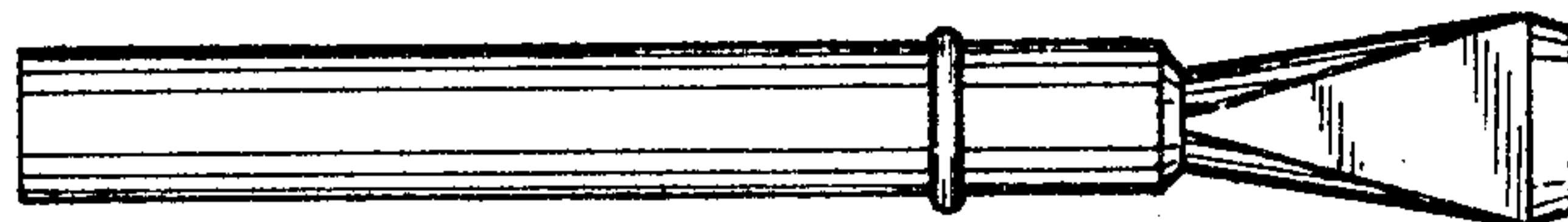


FIG. 2.

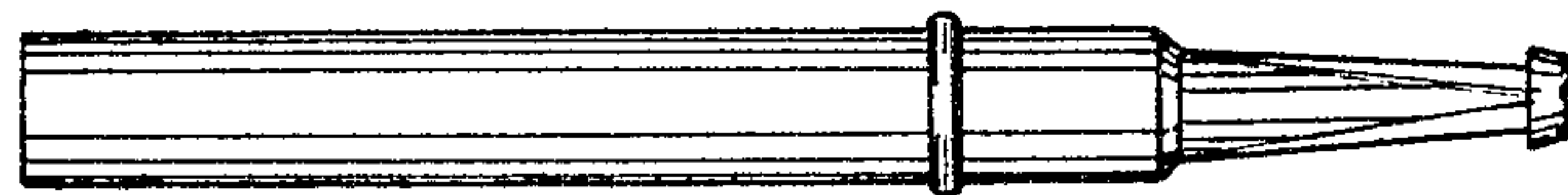


FIG. 3.

FIG. 4.



FIG. 5.

