

[54] COMBINED BRIQUET STARTER AND OUTDOOR STOVE

[76] Inventor: Bruce L. Barnes, 2335 N. 31st, Springfield, Oreg. 97478

[**] Term: 14 Years

[21] Appl. No.: 670,588

[22] Filed: Nov. 13, 1984

[52] U.S. Cl. D23/90.1; D7/332; D7/337

[58] Field of Search D23/90.1; 126/9 R, 9 B, 126/25 B, 59.5; D7/332, 337

[56] References Cited

U.S. PATENT DOCUMENTS

D. 237,888	12/1975	Weidenborner et al.	D23/90.1
3,112,716	12/1963	Knight	126/25 B
3,116,704	1/1964	Byars, Sr. et al.	126/25 B
3,122,109	2/1964	Waugh	126/25 B
3,167,040	1/1965	Byars, Sr. et al.	126/25 B X
3,240,172	3/1966	Romberg et al.	126/25 B
3,453,975	7/1969	Gunter	126/25 B

3,590,755	7/1971	Niemann	126/25 B
4,026,265	5/1977	Spadaro	126/25 B
4,417,565	11/1983	Karpinia	126/25 B
4,531,507	7/1985	Gerson	126/25 B

OTHER PUBLICATIONS

Electrical Merchandising Week—9/12/60—p. 25—Algee Charcoal Lighter.

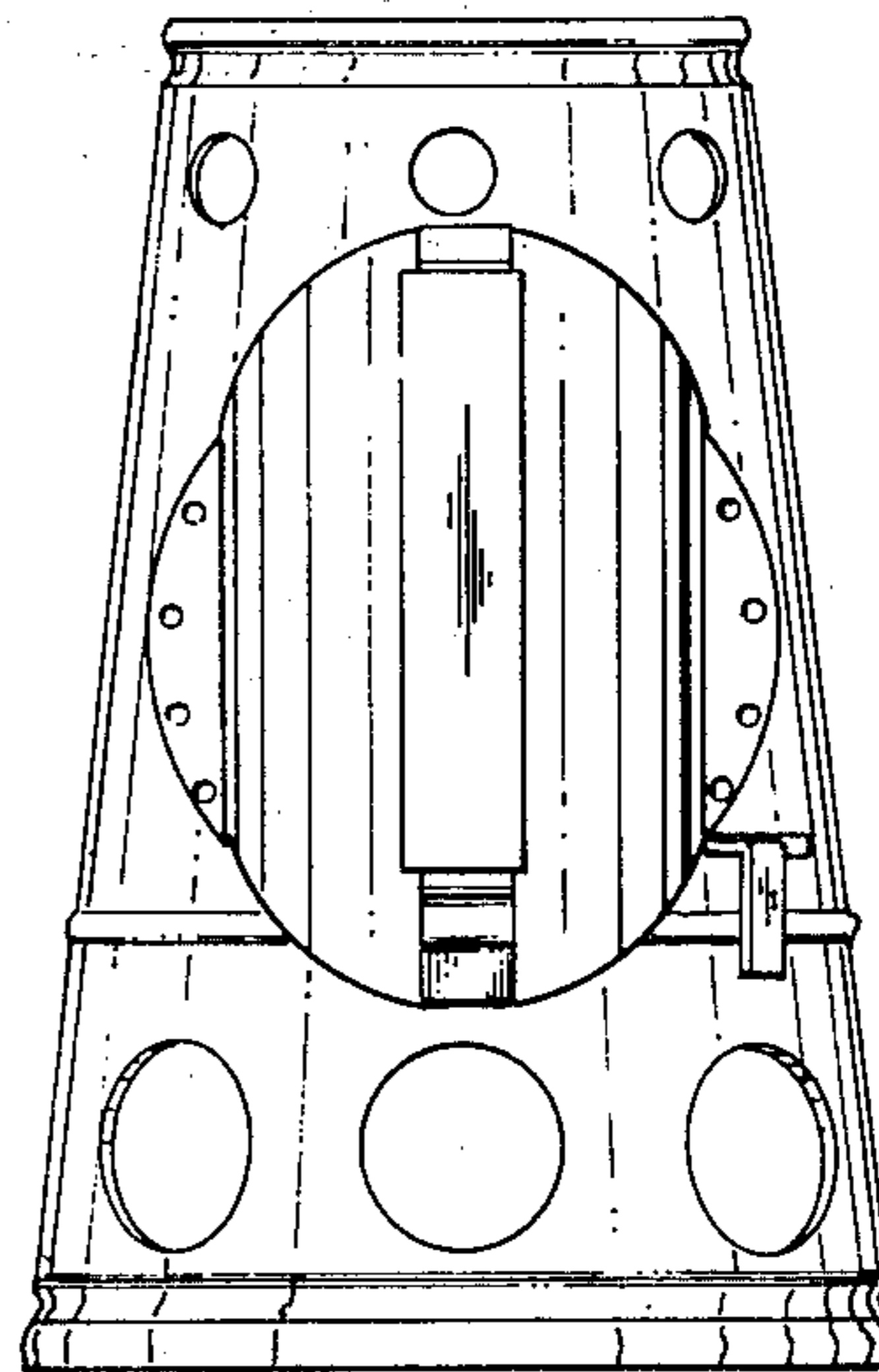
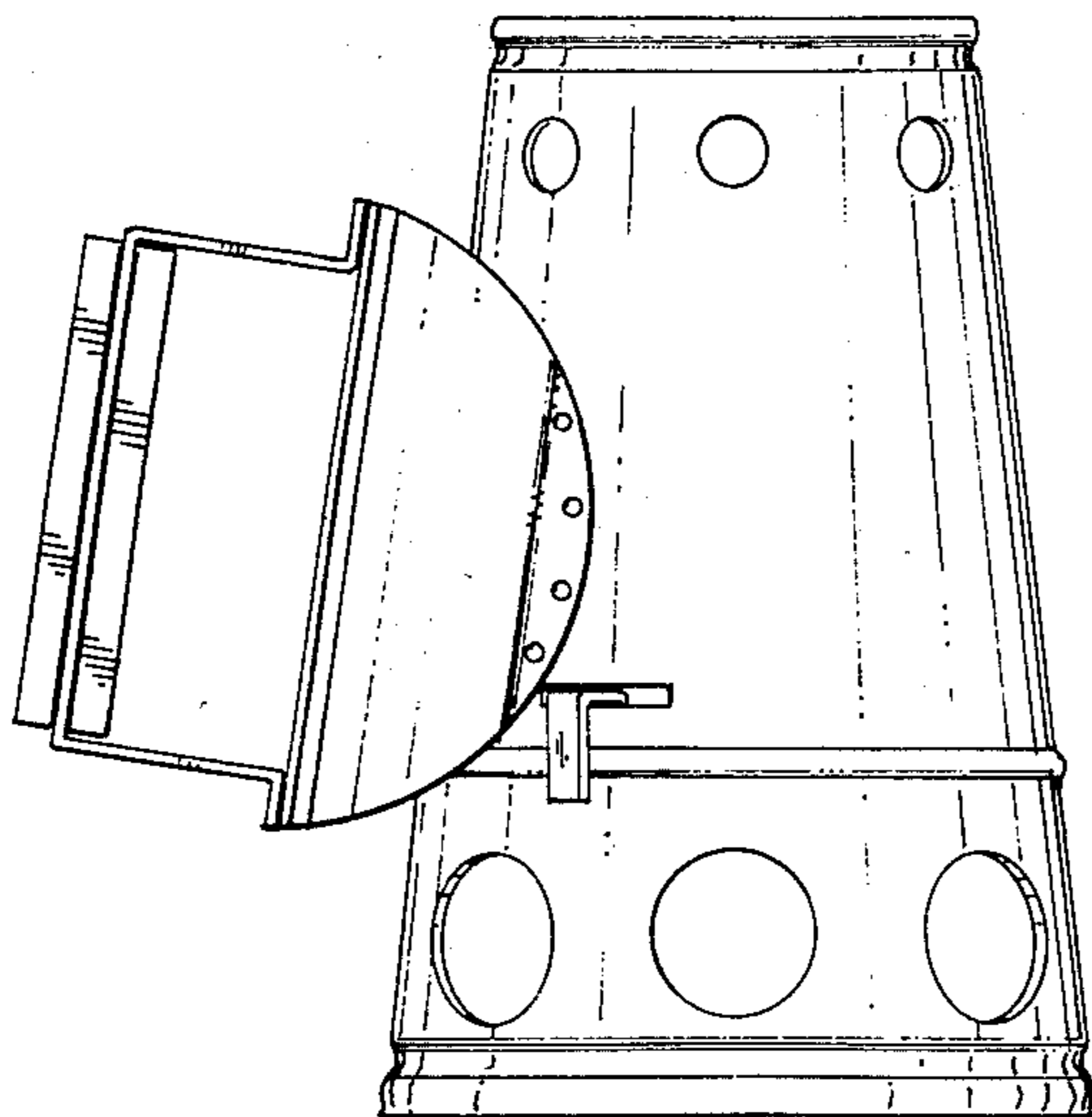
Primary Examiner—Catherine E. Kemper
Attorney, Agent, or Firm—James D. Givnan, Jr.

[57] CLAIM

The ornamental design for a combined briquet starter and outdoor stove, as shown.

DESCRIPTION

FIG. 1 is a front elevational view of the combined briquet starter and outdoor stove showing my new design; FIG. 2 is a left side elevational view thereof; FIG. 3 is a top plan view thereof; FIG. 4 is a bottom plan view thereof; FIG. 5 is a right side elevational view thereof; FIG. 6 is a rear elevational view thereof.



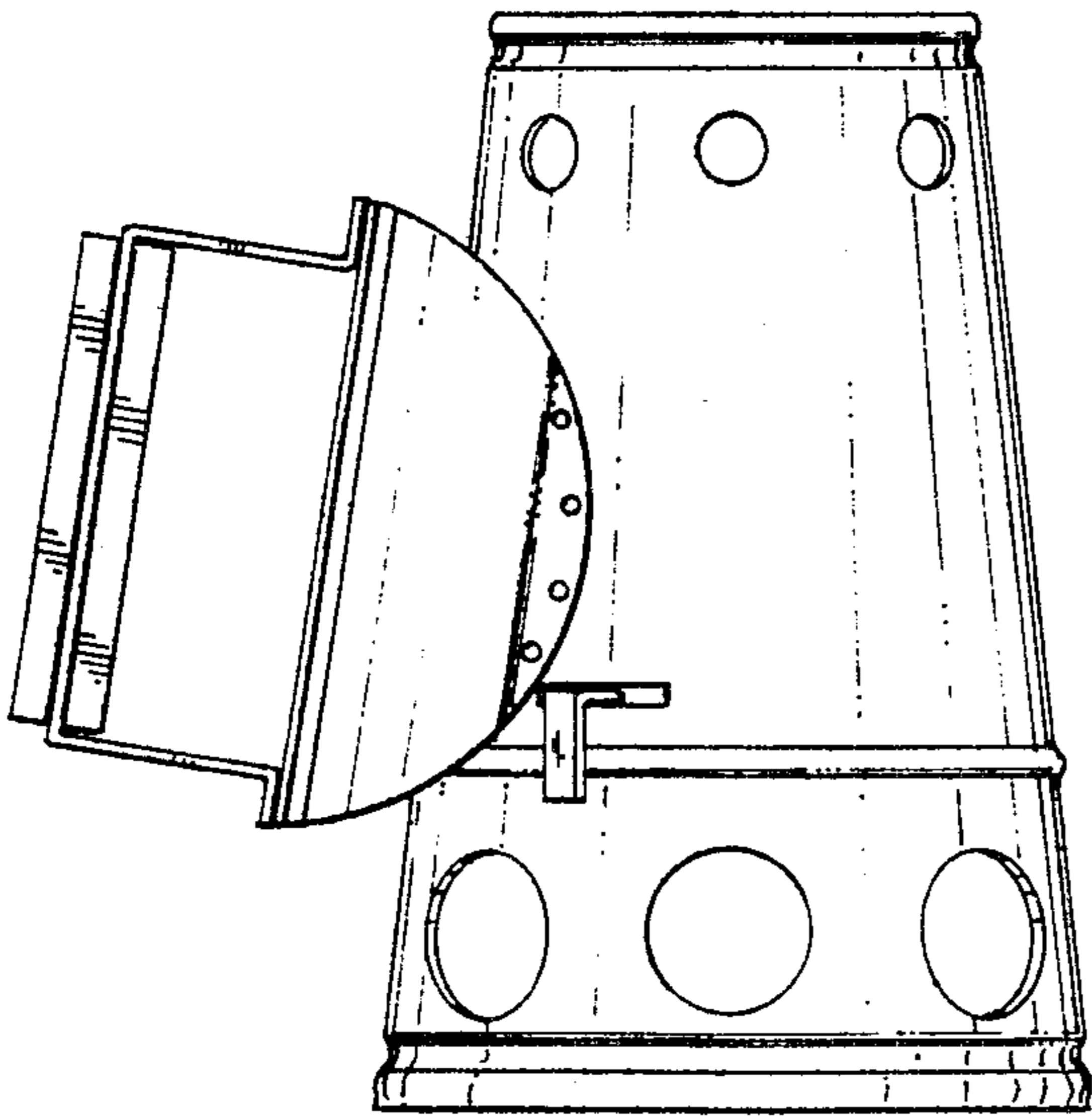


FIG. 1

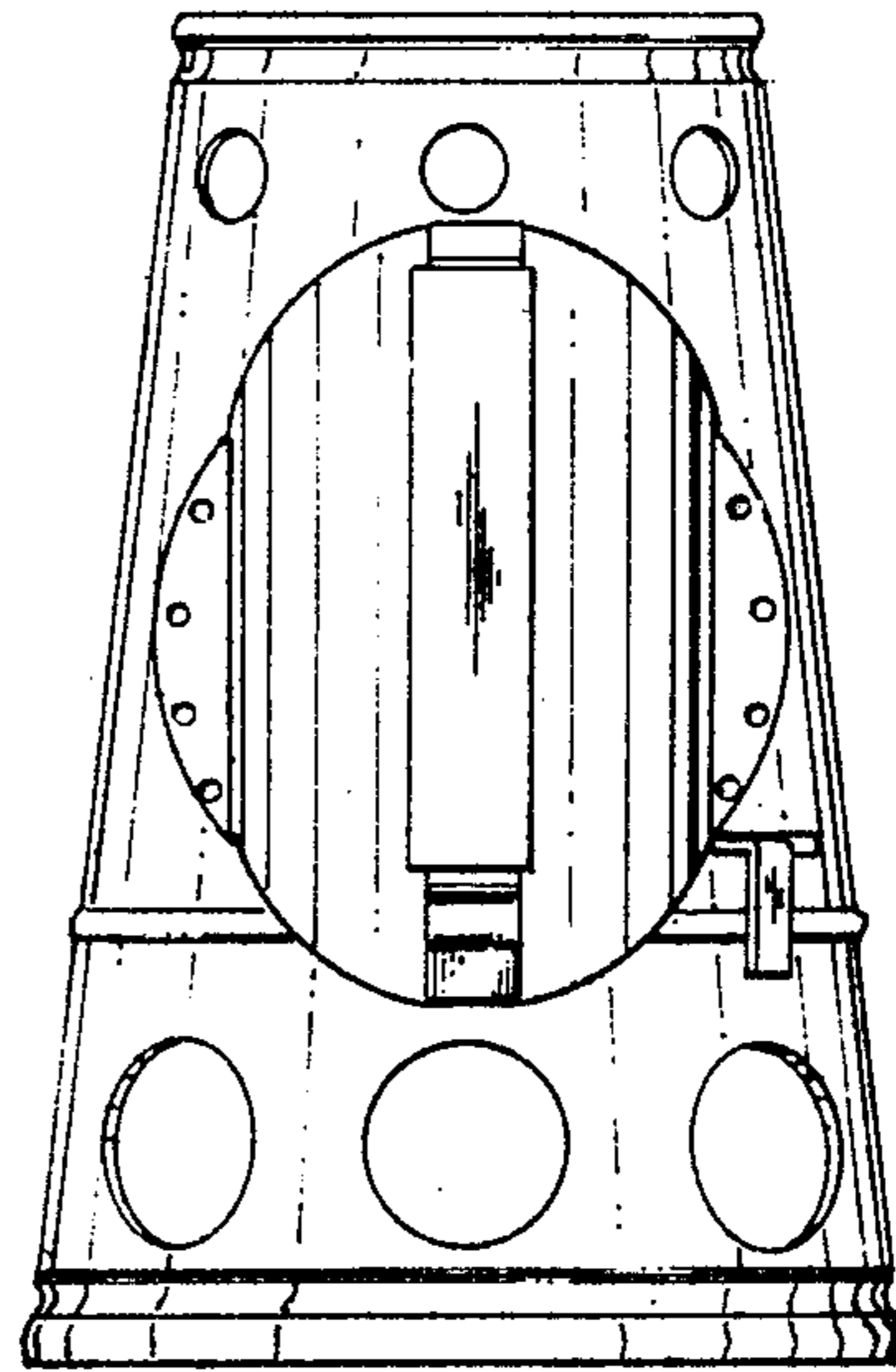


FIG. 2

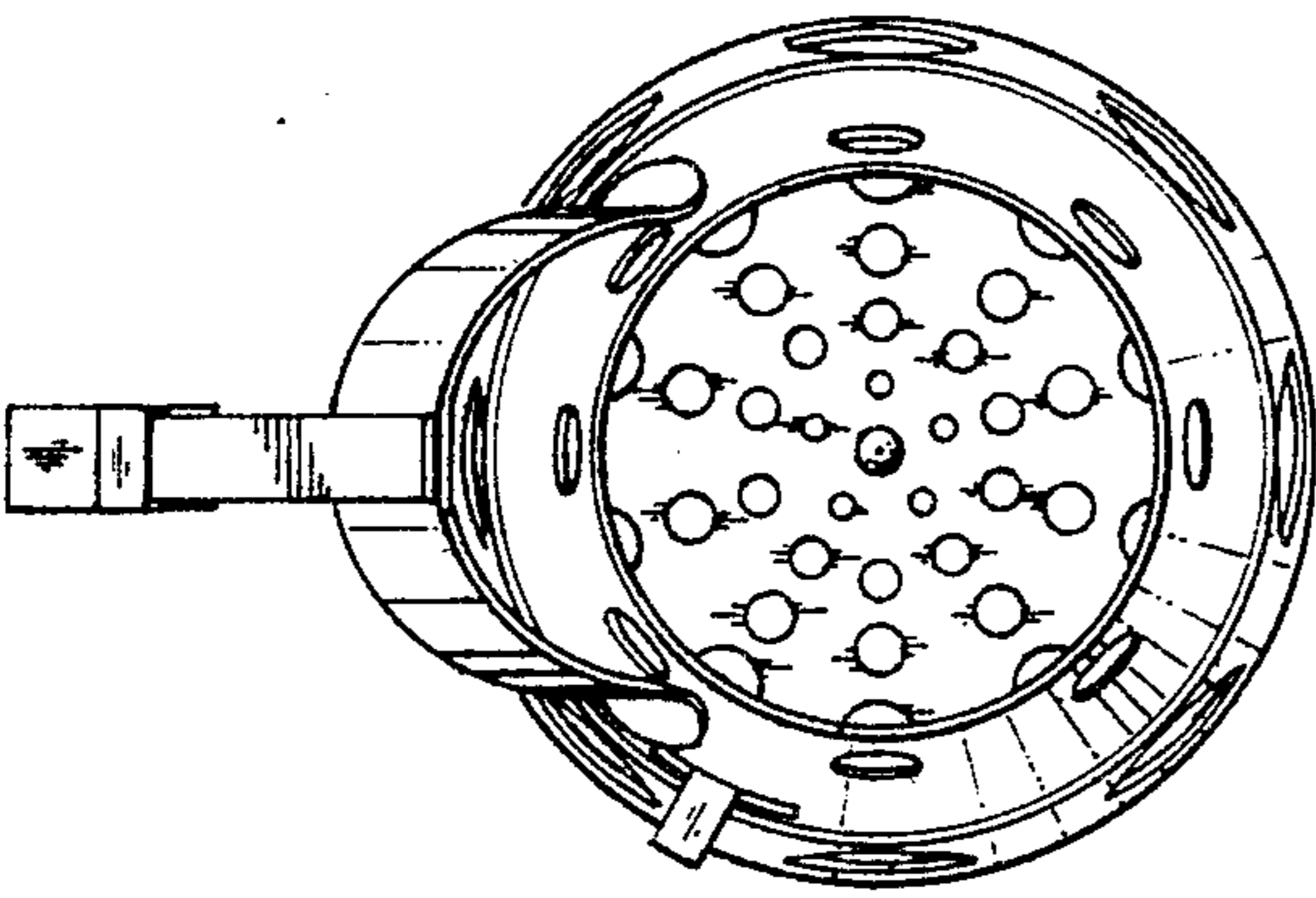


FIG. 3

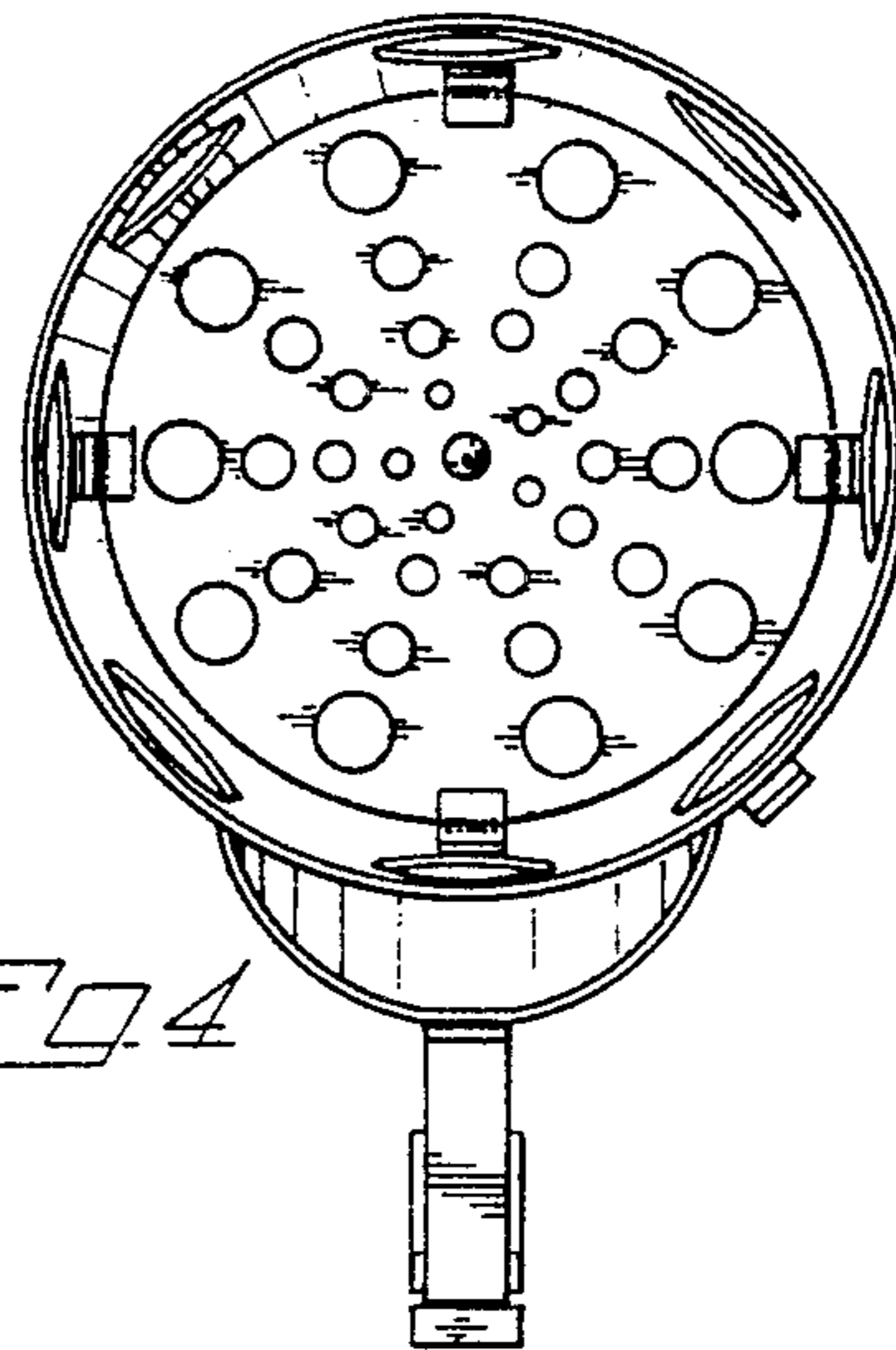


FIG. 4

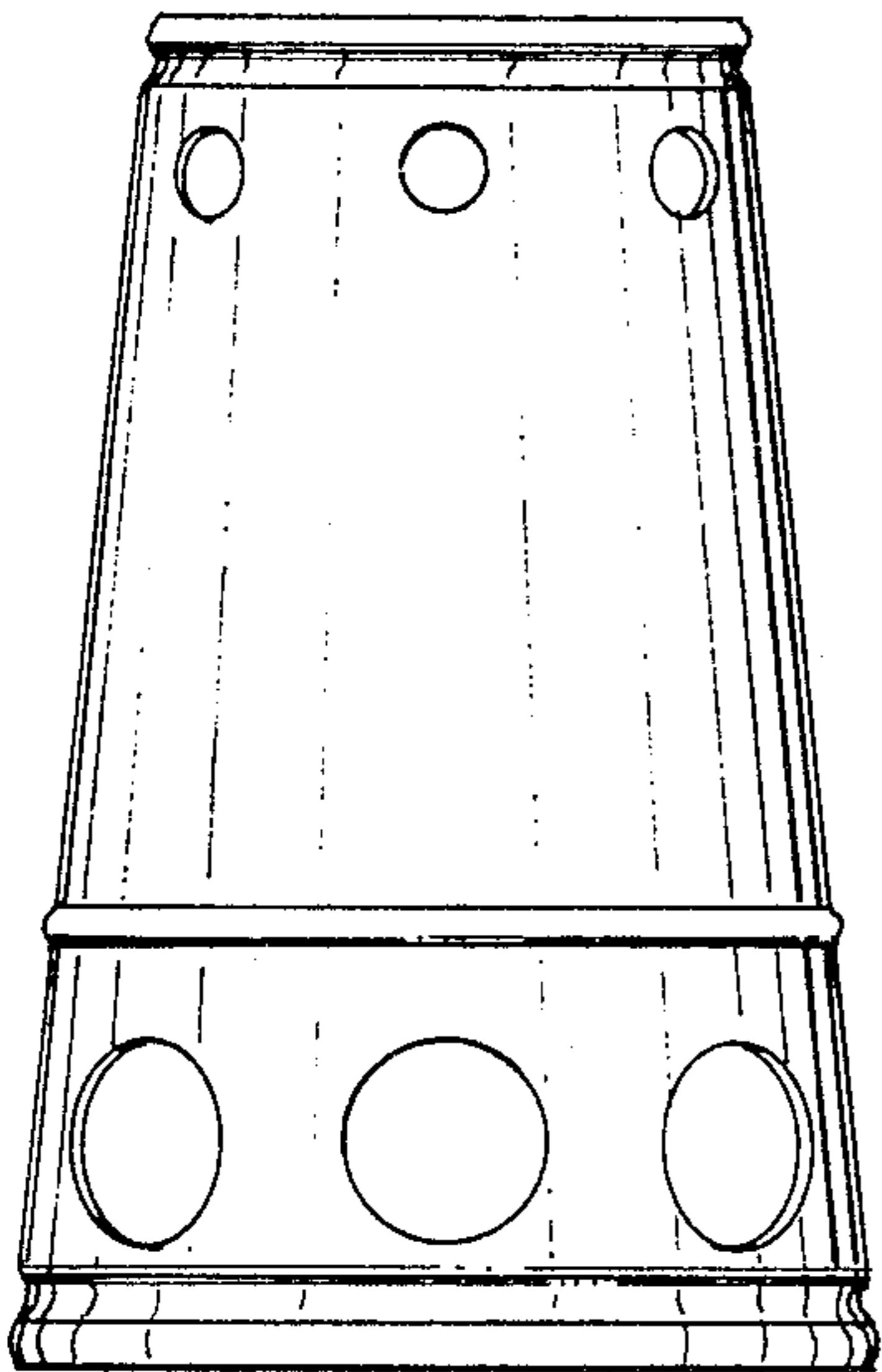


FIG. 5

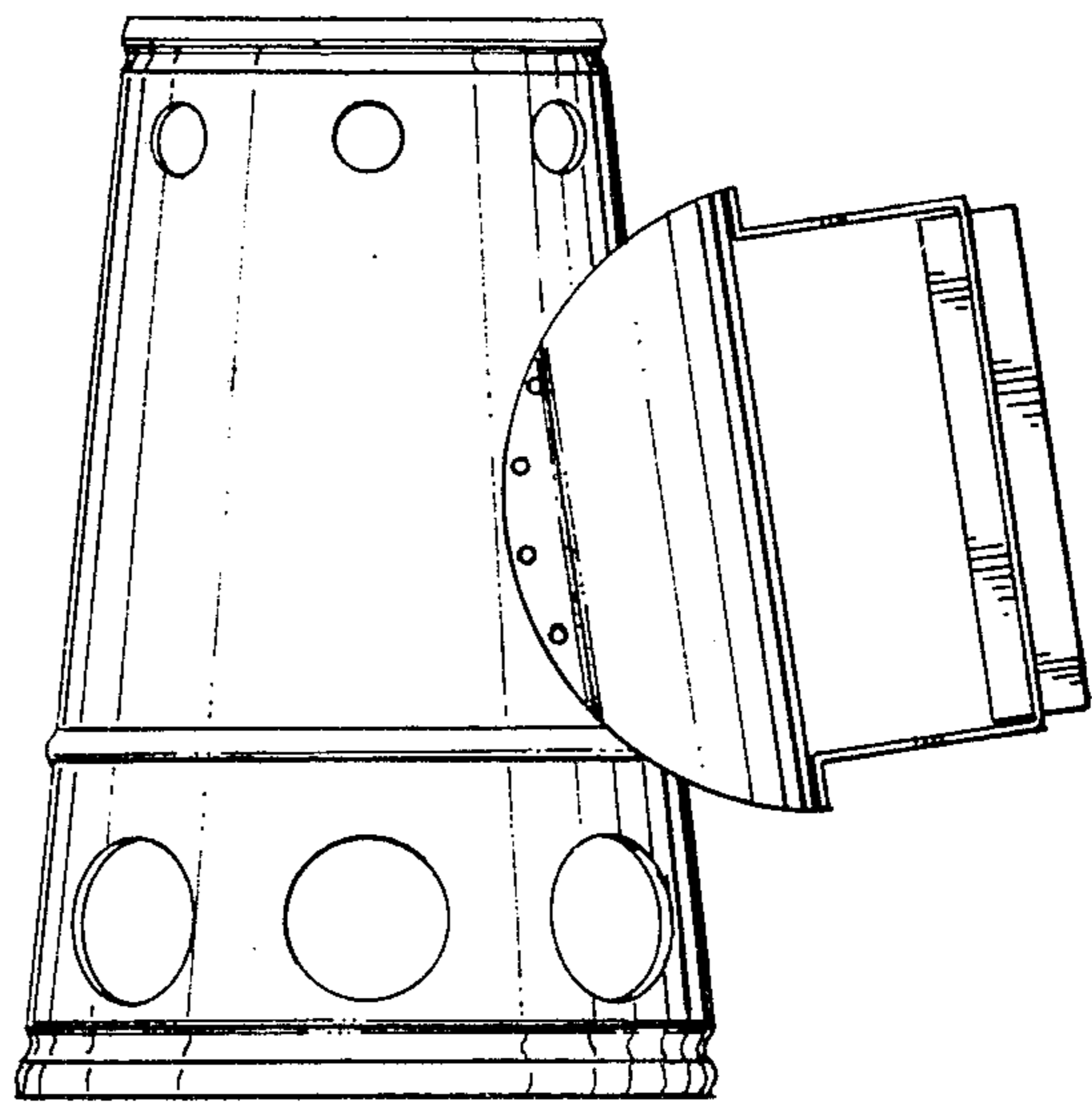


FIG. 6