

[54] CONTAINER FOR HOLDING AND HEATING FRAGRANCES OR THE LIKE AND STAND THEREFOR

[75] Inventor: Joseph Kwiatkowski, Olympia, Wash., by Ralph H. Drews, administrator

[73] Assignee: Sirius Enterprises, Olympia, Wash.

[**] Term: 14 Years

[21] Appl. No.: 889,893

[22] Filed: Jul. 24, 1986

[52] U.S. Cl. D23/78; D26/11

[58] Field of Search D23/72, 78, 148, 150; D26/11; 422/120, 123, 125, 126, 305; 431/291; 126/246, 256, 260, 40; D7/355, 356, 366; D28/5

[56] References Cited

U.S. PATENT DOCUMENTS

D. 39,206	3/1908	Patton .	
D. 130,560	12/1941	Lowenstein .	
D. 175,435	8/1955	Moffat .	
D. 245,155	7/1977	Harshman et al. .	
D. 253,451	11/1979	Ng .	
D. 271,091	10/1983	Peterson .	
1,029,841	6/1912	Bates	422/125
1,706,939	3/1929	Rosenthal	422/125
1,732,707	10/1929	Winsboro	422/125
1,817,057	8/1931	Berry	422/125

2,775,006	12/1956	Kranc	422/125
3,948,445	4/1976	Andeweg	422/125 X

FOREIGN PATENT DOCUMENTS

2294717	7/1976	France	422/125
---------	--------	--------------	---------

OTHER PUBLICATIONS

Advertisement appearing in Feb. 1973 edition of *House & Garden* magazine at p. 97.

Advertising brochure by Lenox, Inc. of Trenton, N.J. entitled "Temper-Ware by Lenox".

Primary Examiner—Catherine E. Kemper
Attorney, Agent, or Firm—Christensen, O'Connor, Johnson & Kindness

[57] CLAIM

The ornamental design for container for holding and heating fragrances or the like and stand therefor, substantially as shown and described.

DESCRIPTION

FIG. 1 is an exploded perspective view of a container for holding and heating fragrances or the like and stand therefor, showing my new design;
FIG. 2 is a top plan view of the stand;
FIG. 3 is a bottom plan view thereof;
FIG. 4 is a side elevational view thereof;
FIG. 5 is a top plan view of the container;
FIG. 6 is a bottom plan view thereof;
FIG. 7 is a side elevational view thereof.

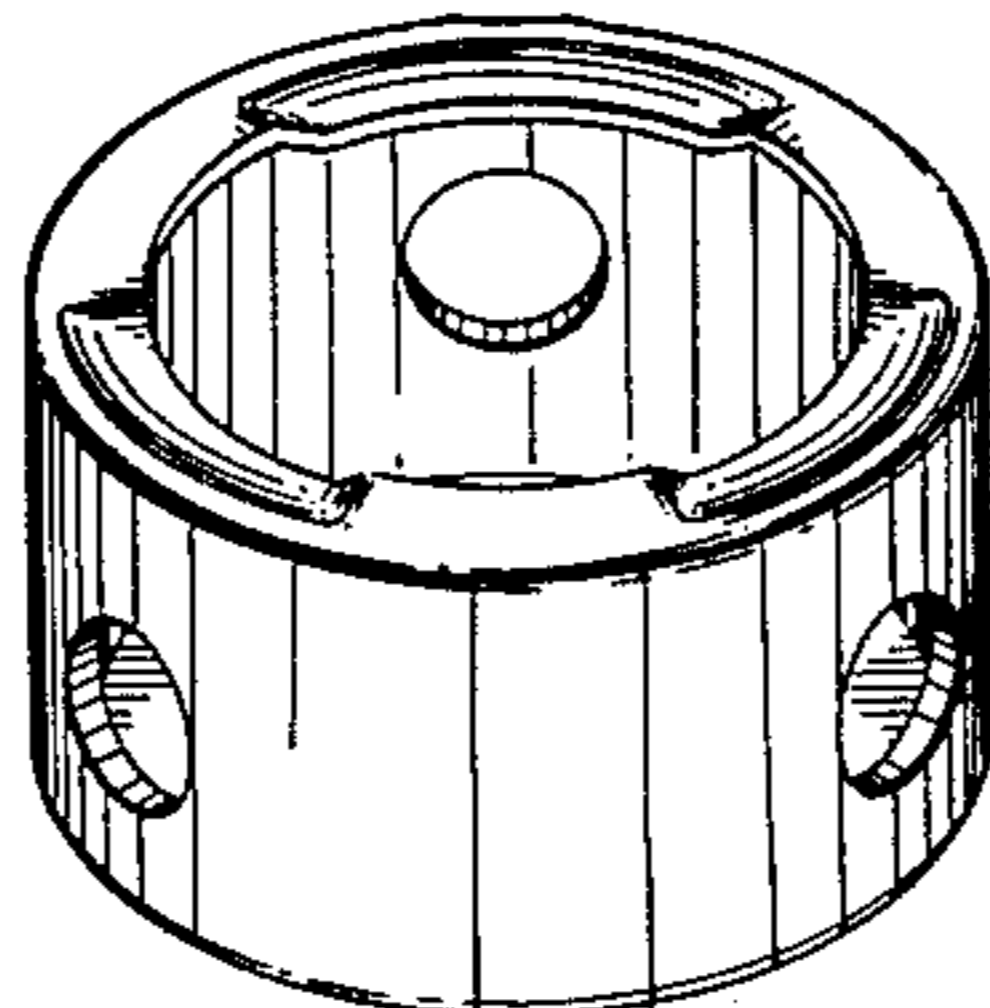
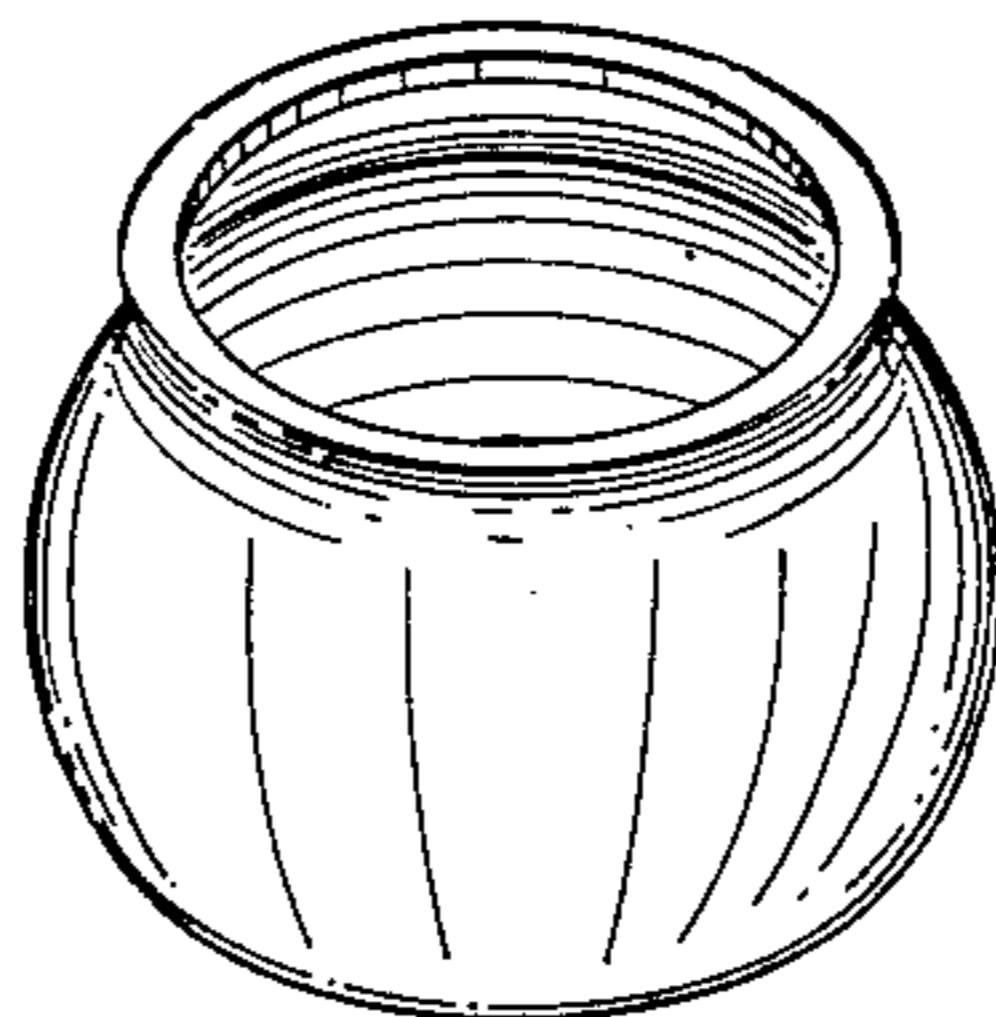
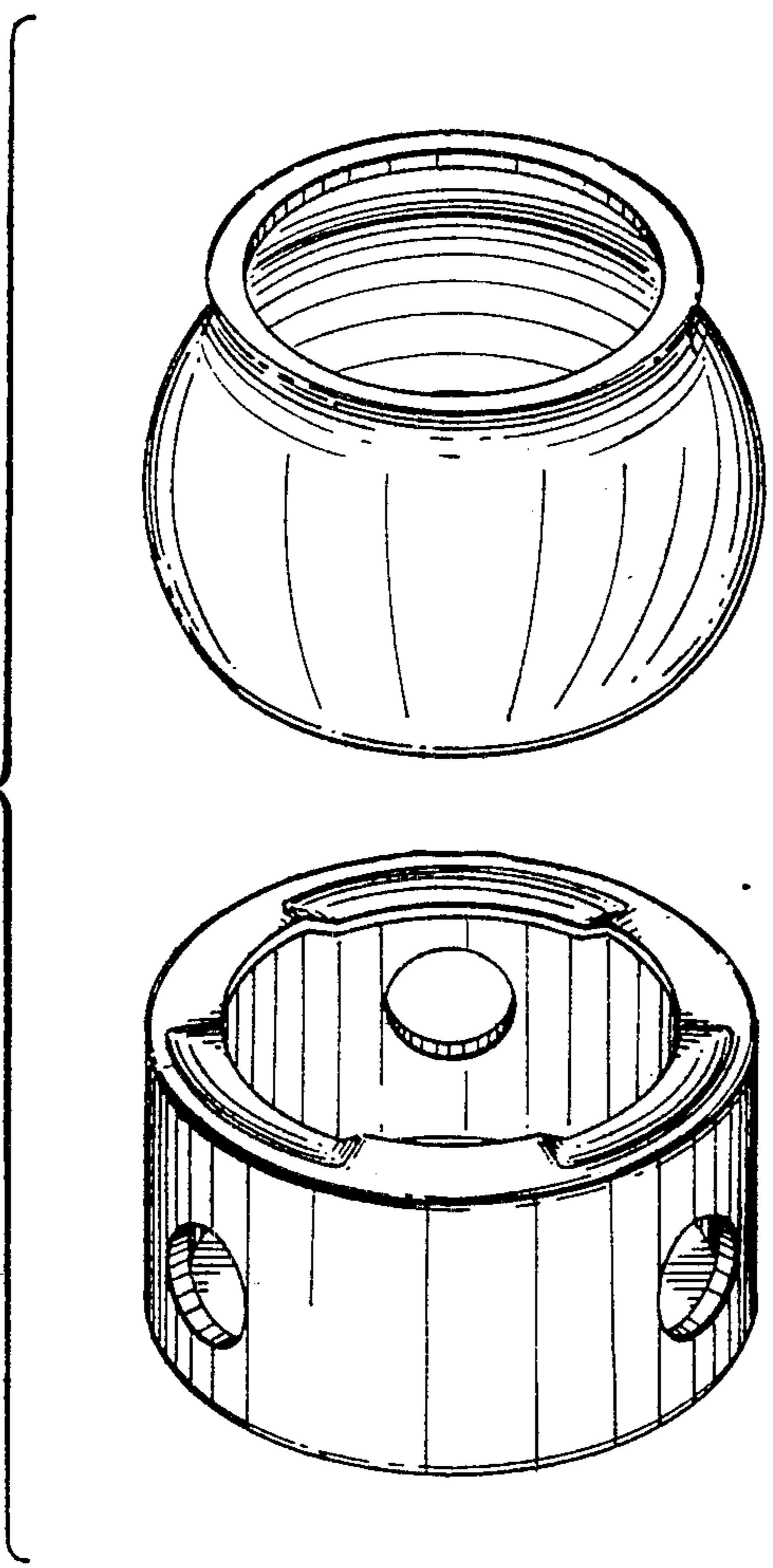


Fig. 1.



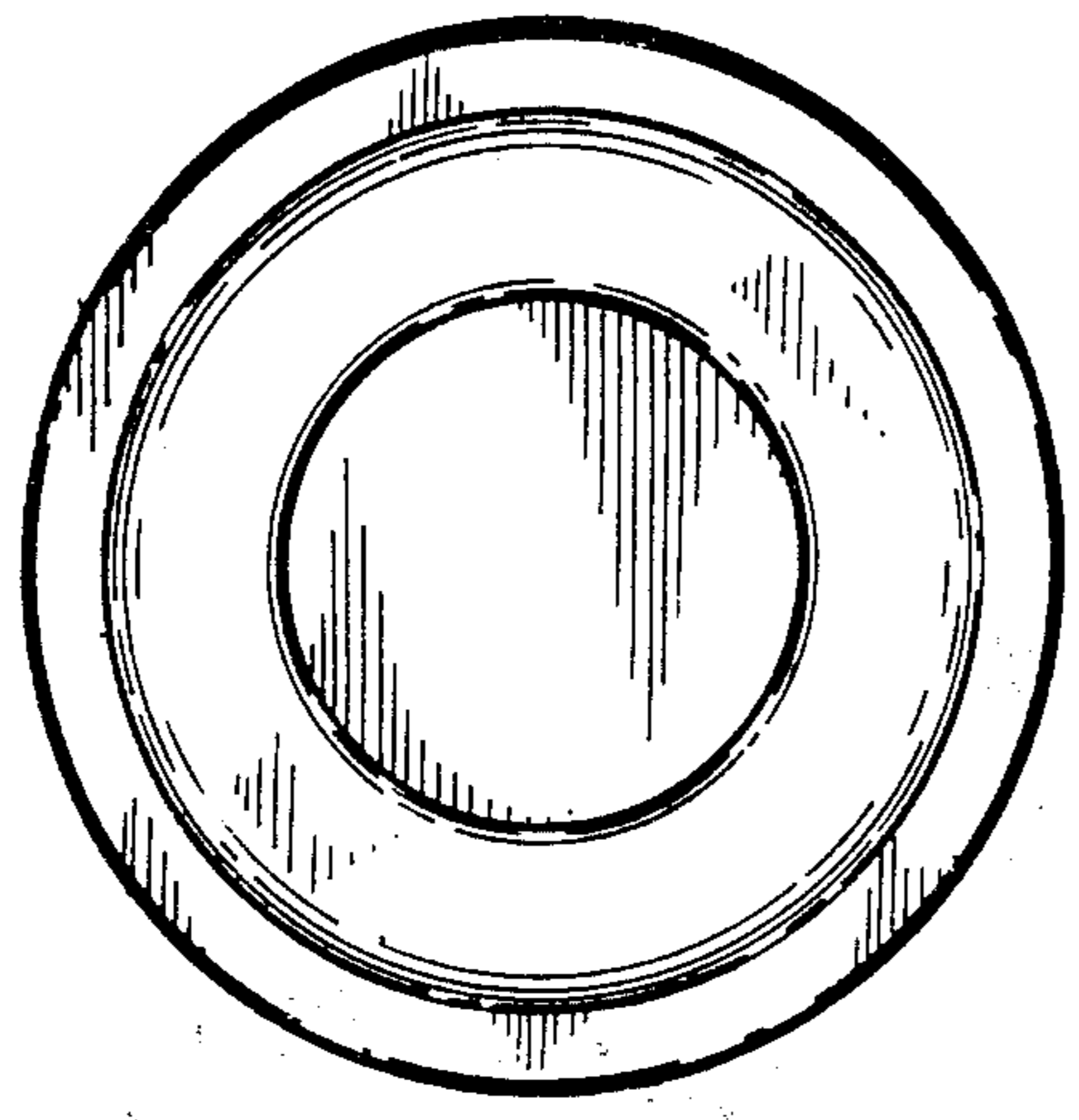


Fig. 3.

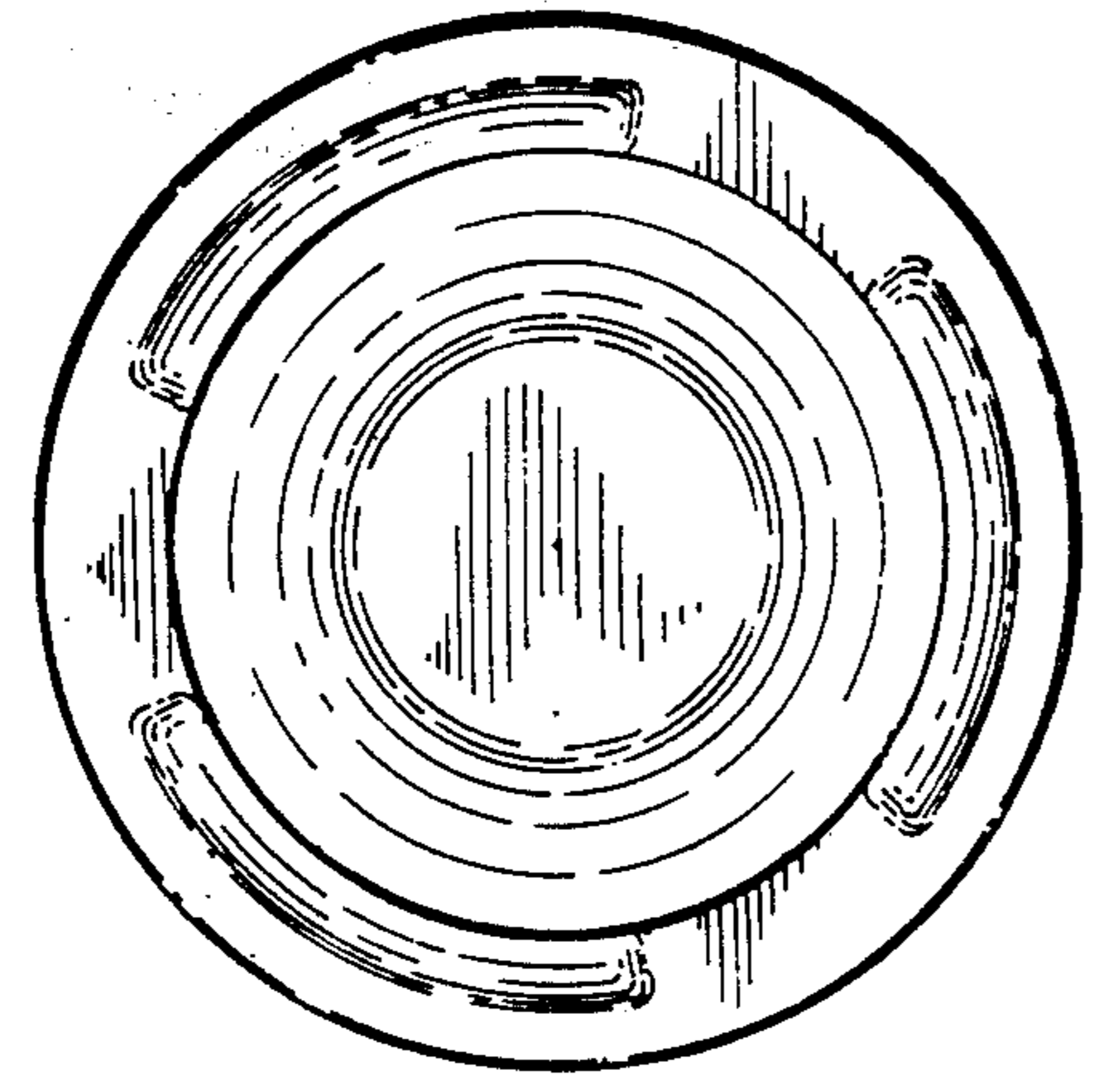


Fig. 2.

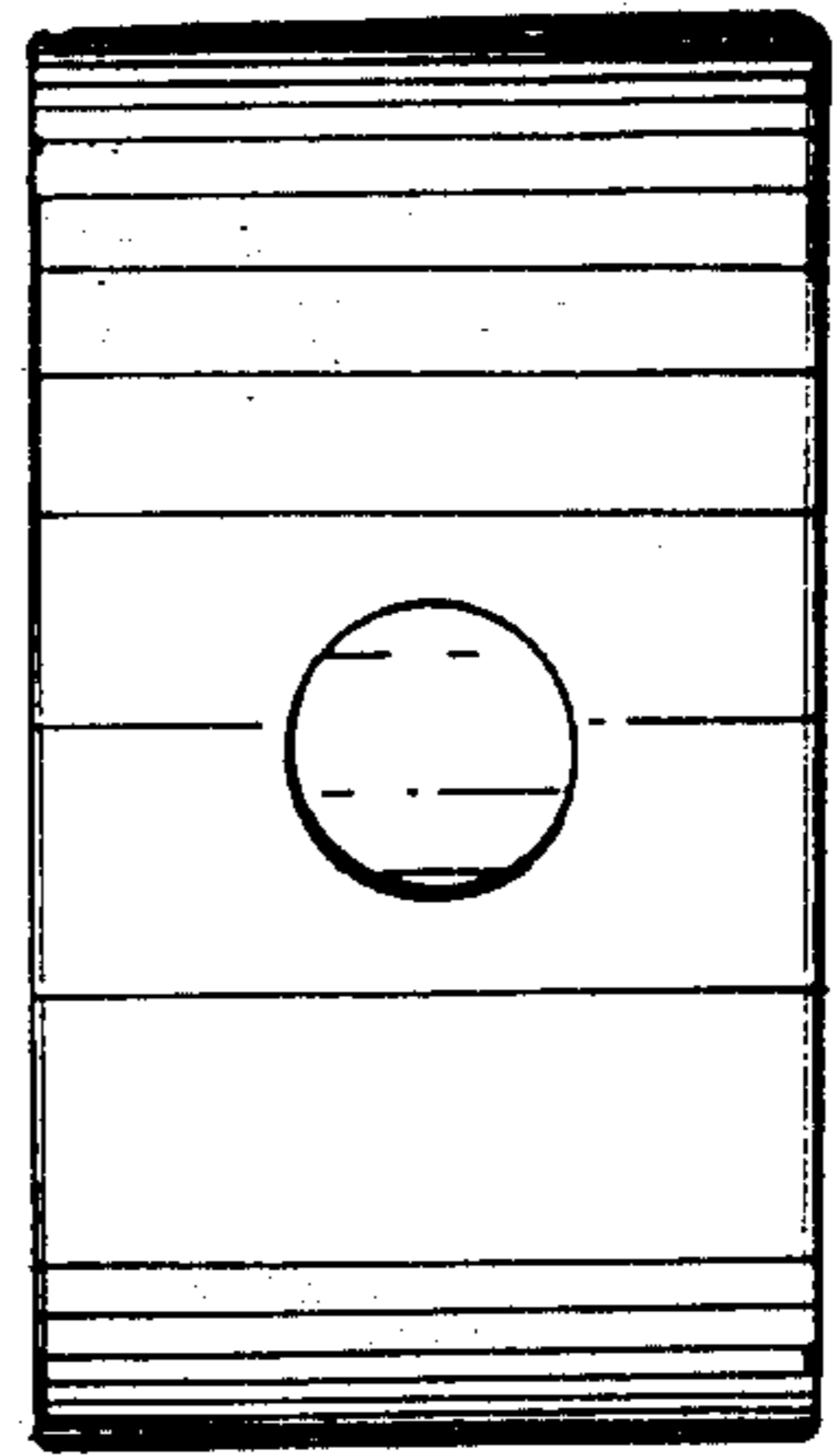


Fig. 4.

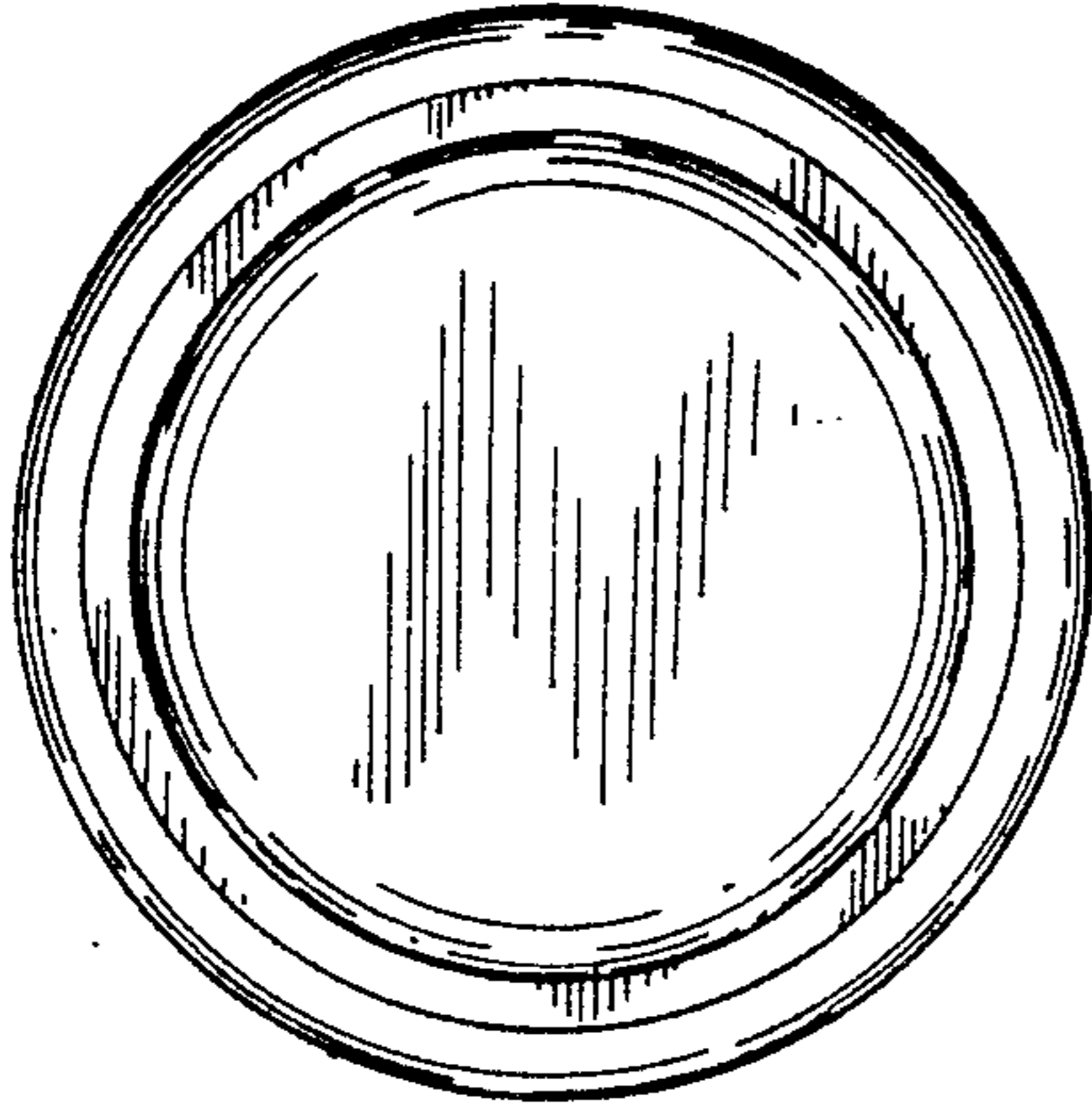


Fig. 6.

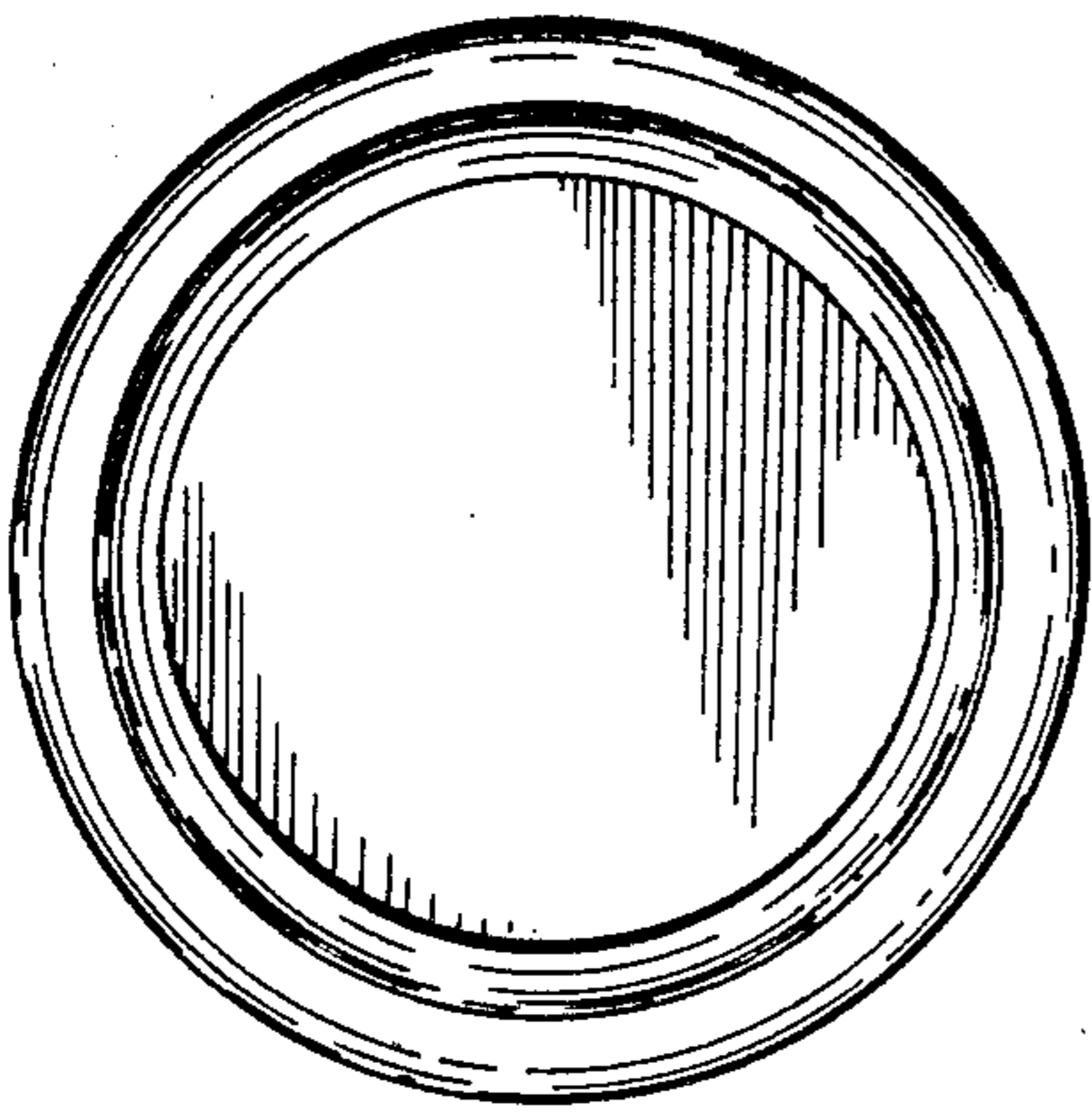


Fig. 5.

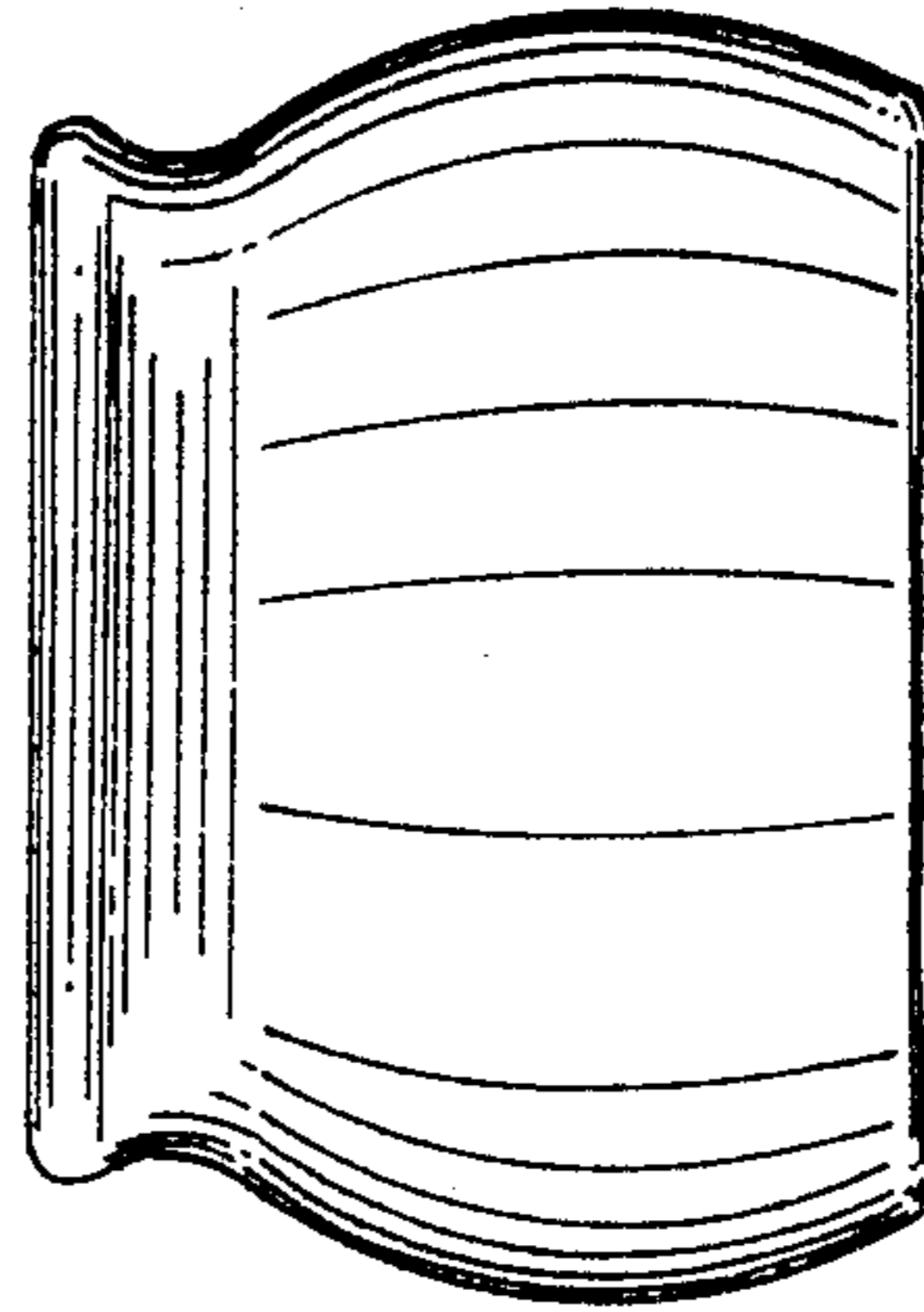


Fig. 7.