

[54] SINK FAUCET

- [75] Inventor: Holly K. Yost, Van Nuys, Calif.
- [73] Assignee: Price Pfister, Inc., Pacoima, Calif.
- [**] Term: 14 Years
- [21] Appl. No.: 627,050
- [22] Filed: Jul. 2, 1984

Related U.S. Application Data

- [63] Continuation-in-part of Ser. No. 587,620, Mar. 8, 1984.
- [52] U.S. Cl. D23/25
- [58] Field of Search D23/23-27, D23/32; 4/191, 192; 137/606, 801

[56] References Cited

U.S. PATENT DOCUMENTS

D. 171,571	3/1954	Baker, Jr.	D23/26
D. 181,595	12/1957	McLean	D23/26
D. 187,846	5/1960	Brown	D23/26
D. 197,455	2/1964	MacKay et al.	D23/25
D. 200,042	1/1965	MacKay et al.	D23/25
D. 200,622	3/1965	Whitener, Jr.	D23/32
D. 276,259	11/1984	Miller	D23/25

OTHER PUBLICATIONS

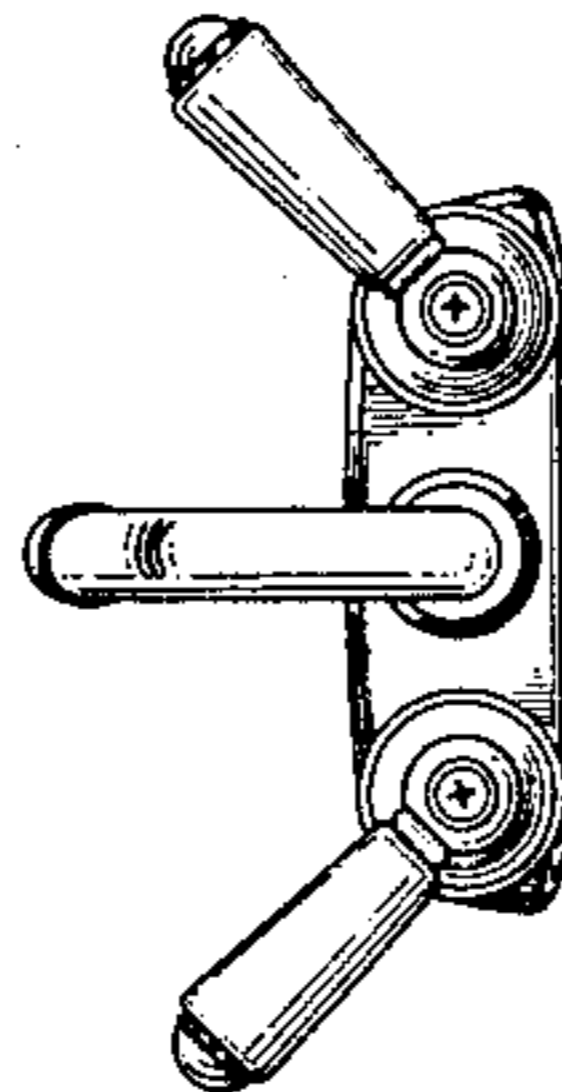
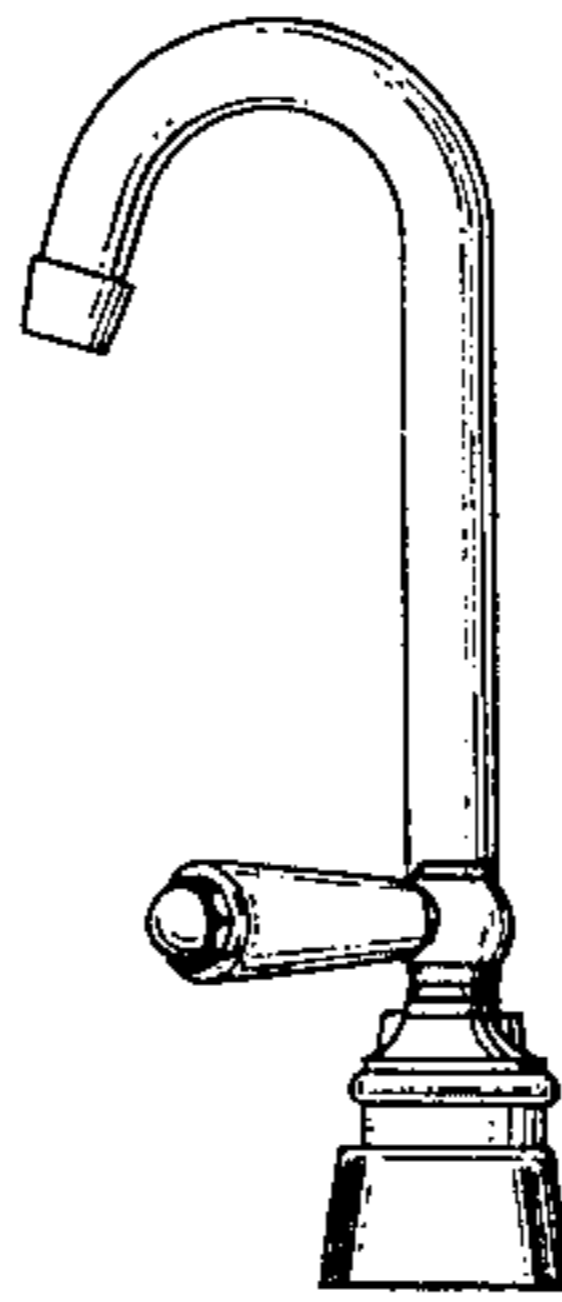
Domestic Engineering, Aug. 1968, p. 32, "Kitchen Faucet" Item.
 Domestic Engineering, Nov. 1983, p. 44, Item "G".
Primary Examiner—James R. Largen
Attorney, Agent, or Firm—Blakely, Sokoloff, Taylor & Zafman

[57] CLAIM

The ornamental design for a sink faucet, substantially as shown and described.

DESCRIPTION

FIG. 1 is a right side elevational view of a sink faucet showing my new design, the left side being a mirror image of the right side shown;
 FIG. 2 is a top plan view thereof;
 FIG. 3 is a front elevational view thereof;
 FIG. 4 is a rear elevational view thereof;
 FIG. 5 is a top plan view of a modified form of the sink faucet shown in FIG. 1;
 FIG. 6 is a top plan view of a second modified form of the sink faucet shown in FIG. 1; and
 FIG. 7 is a top plan view of a third modified form of the sink faucet shown in FIG. 1.



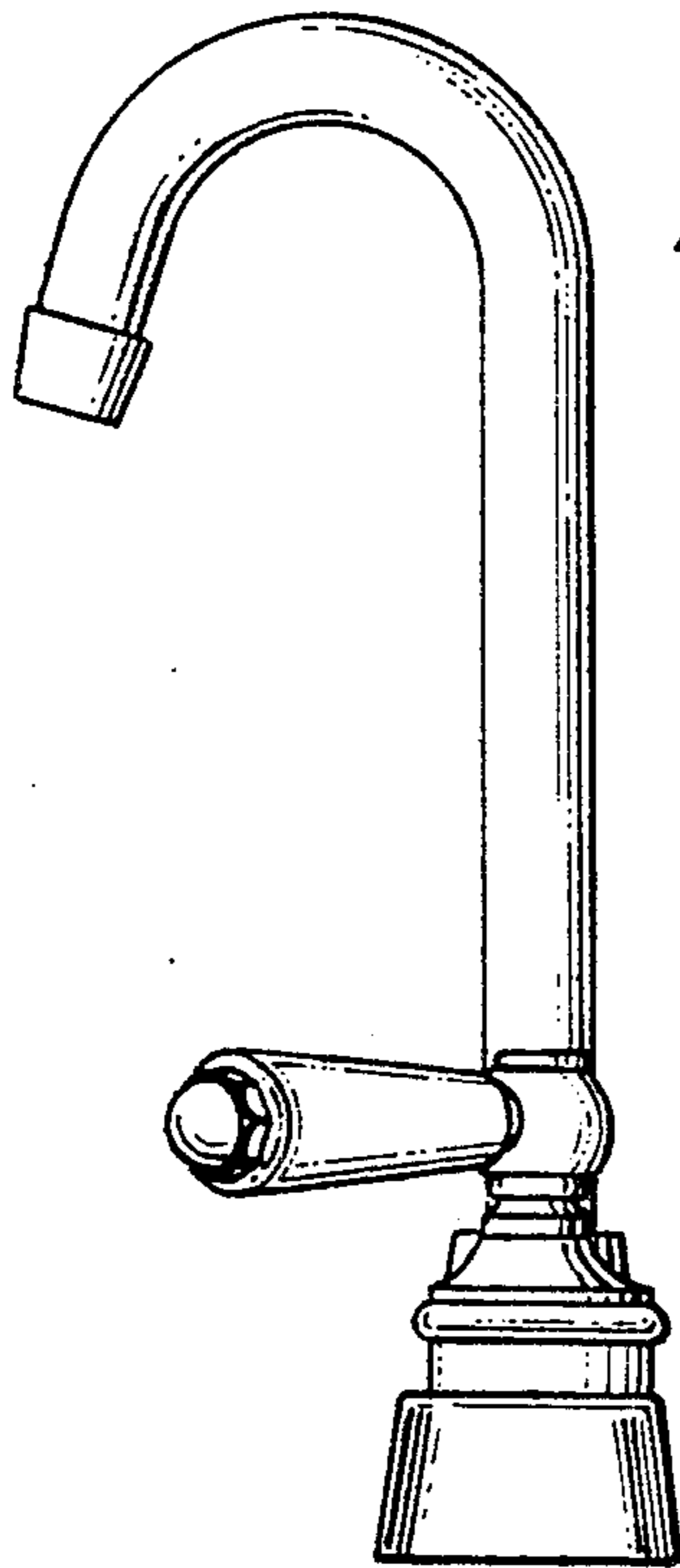


Fig. 1.

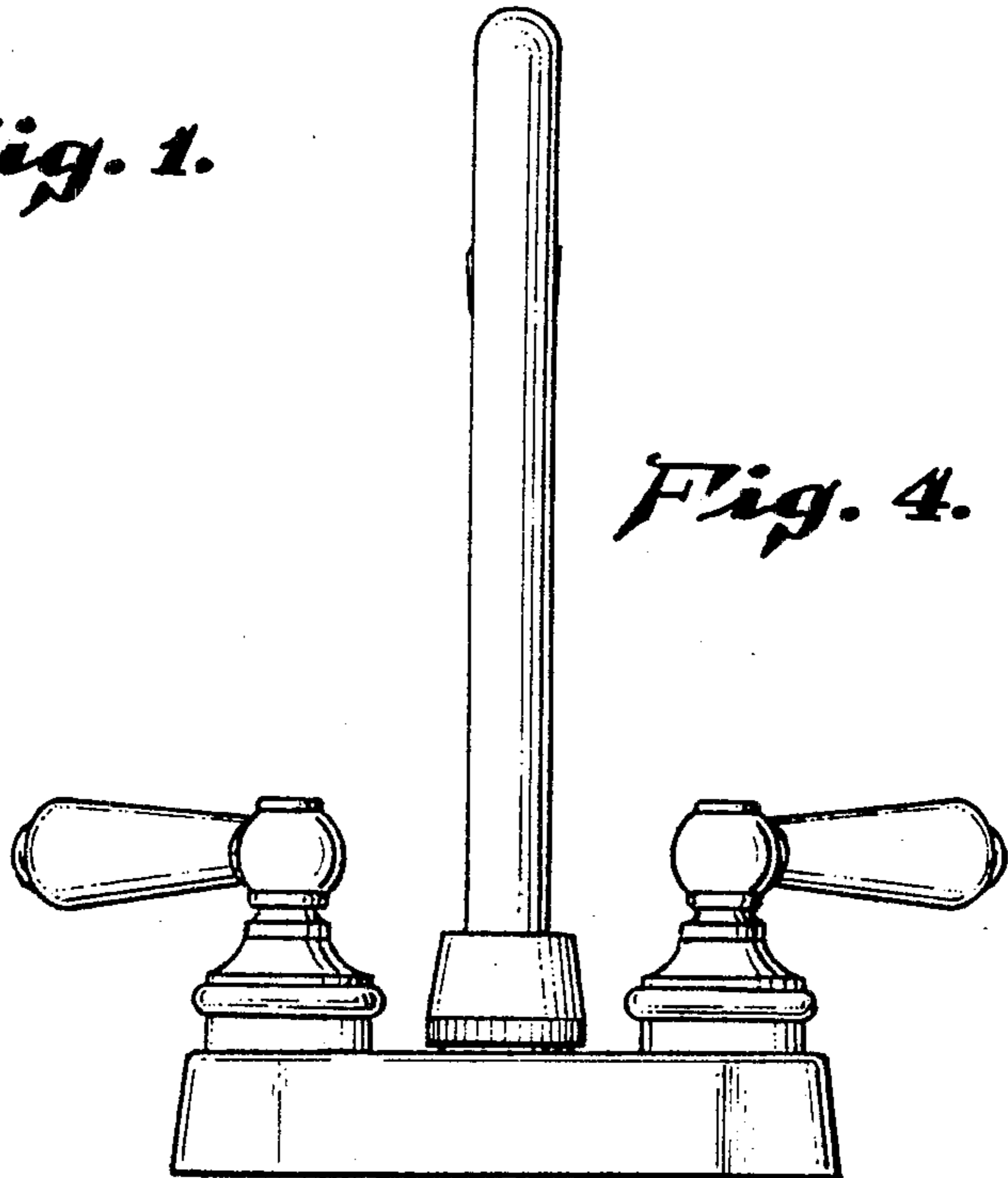


Fig. 4.

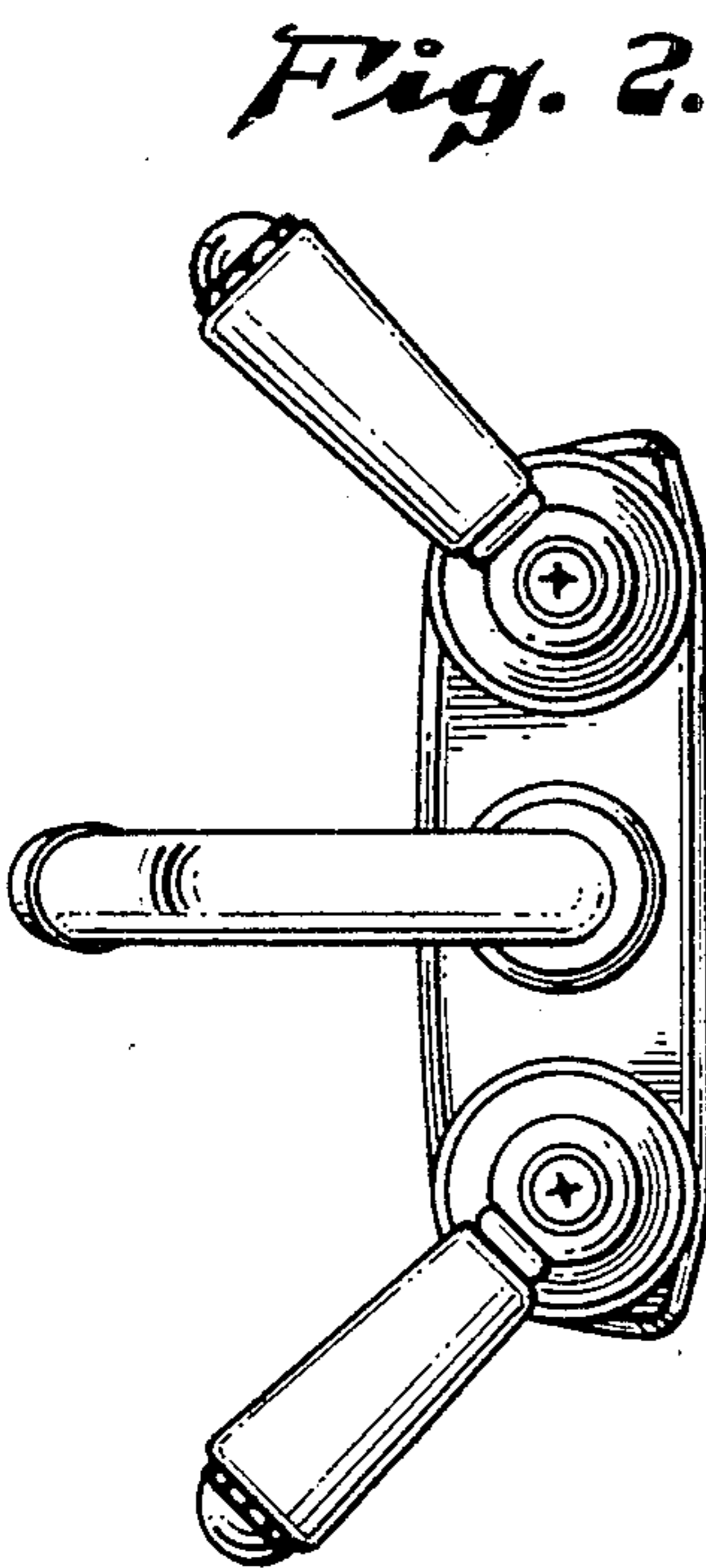


Fig. 2.

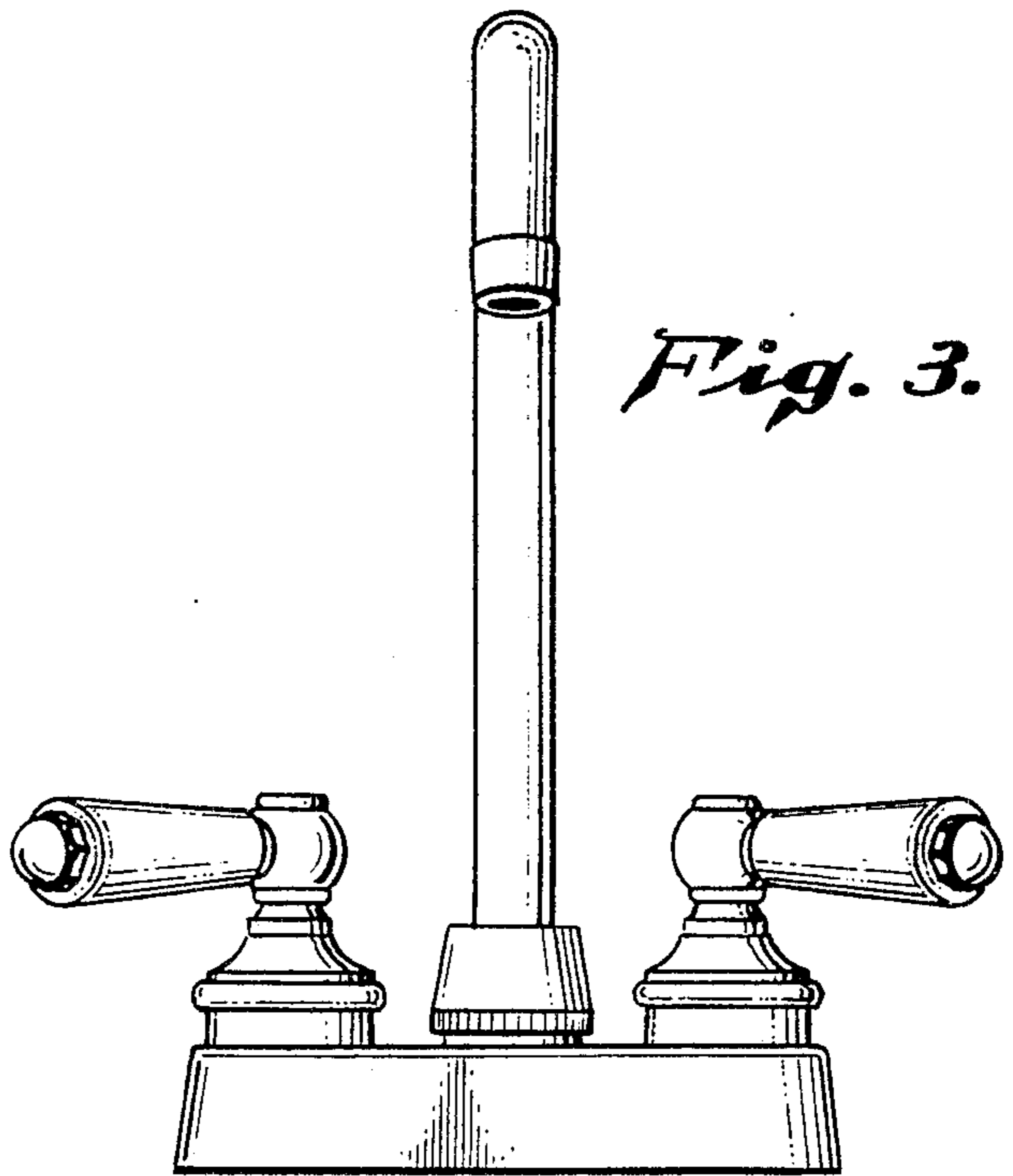


Fig. 3.

Fig. 5.

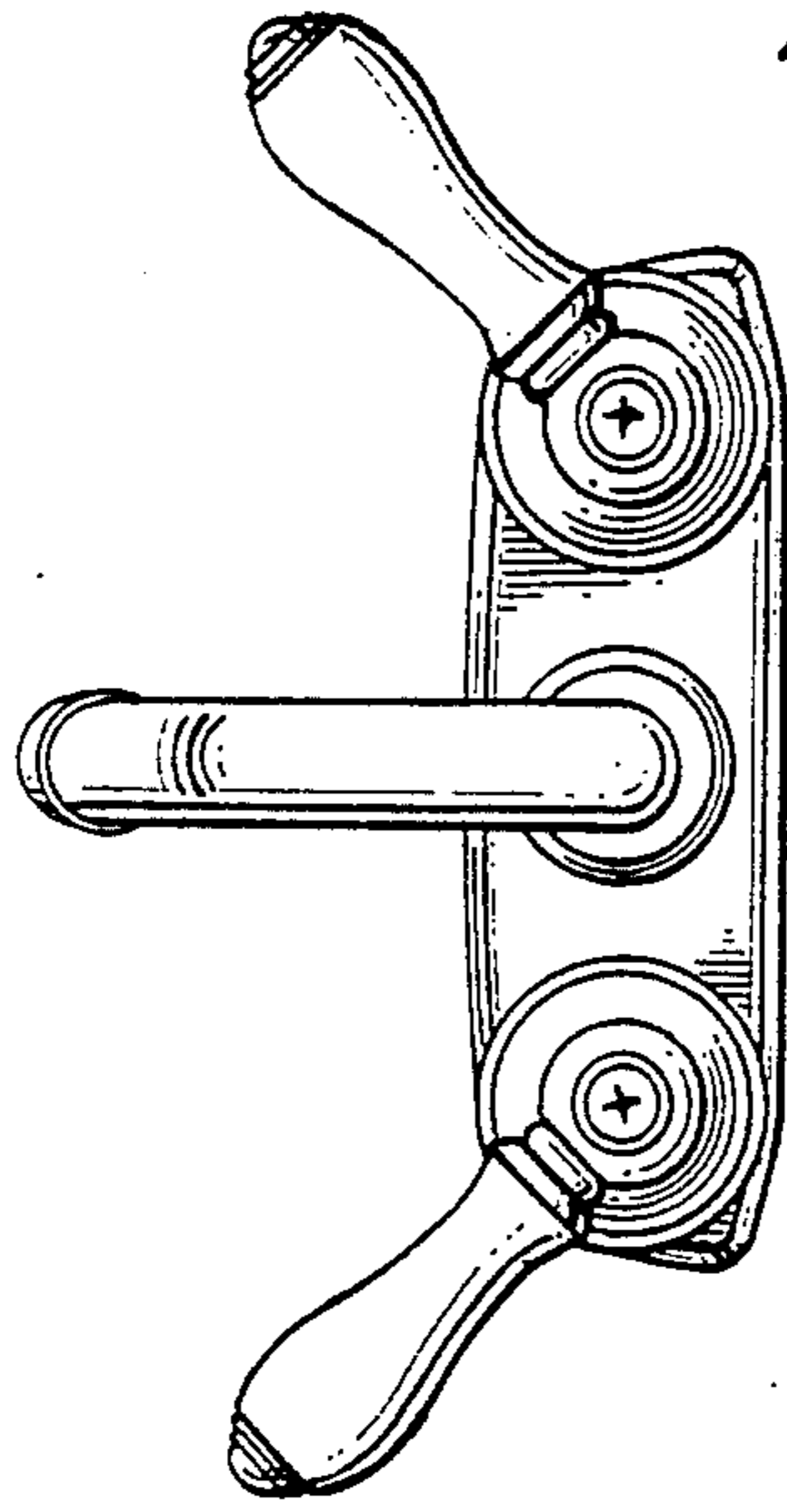


Fig. 6.

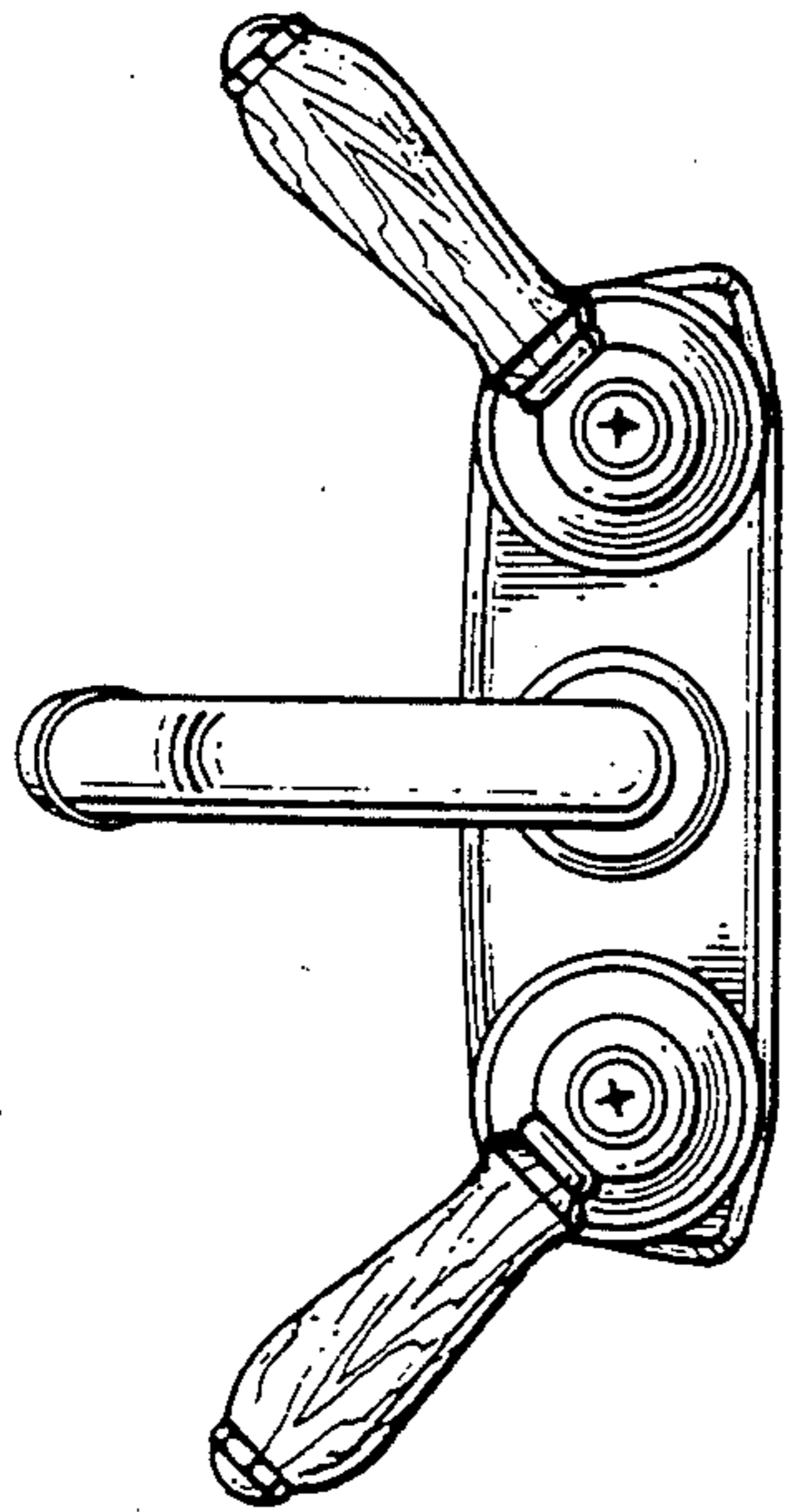
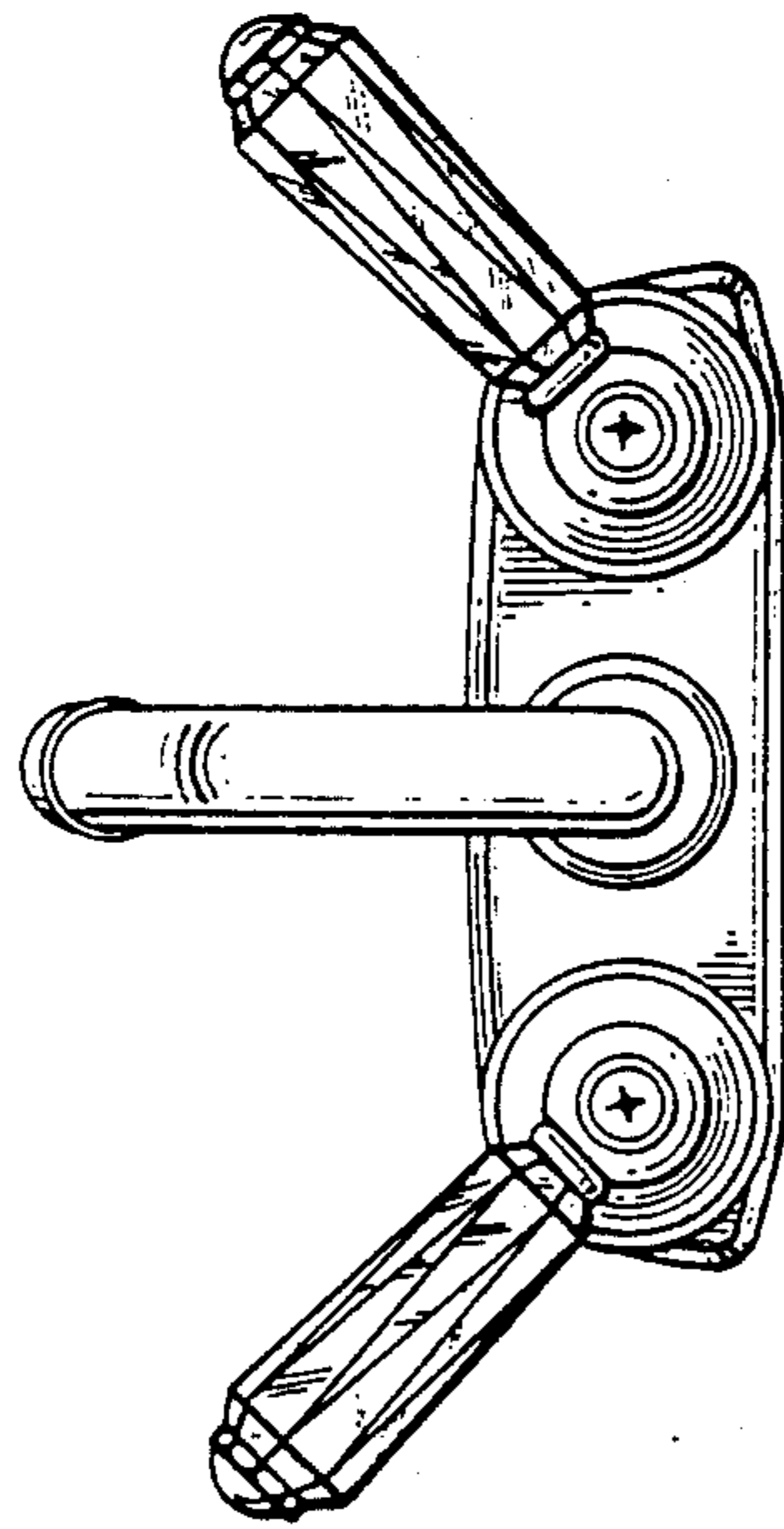


Fig. 7.