

[54] **TOY ROBOT**

[75] **Inventor: Chan Koon Man, Victoria, Hong Kong**  
[73] **Assignee: New Bright Industrial Co. Ltd., Kowloon, Hong Kong**

[\*\*] **Term: 14 Years**

[21] **Appl. No.: 703,420**

[22] **Filed: Feb. 20, 1985**

[30] **Foreign Application Priority Data**

Sep. 24, 1984 [GB] United Kingdom ..... 1022215  
[52] **U.S. Cl. .... D21/150**  
[58] **Field of Search ..... 446/376, 355, 269, 299, 446/302, 95, 96, 97, 71, 72, 73, 76, 487, 289-291; D21/150**

[56] **References Cited**  
**PUBLICATIONS**

Hong Kong Toys, 1982, p. 21, bottom, Robot, and p. 77, lower left, Robot.

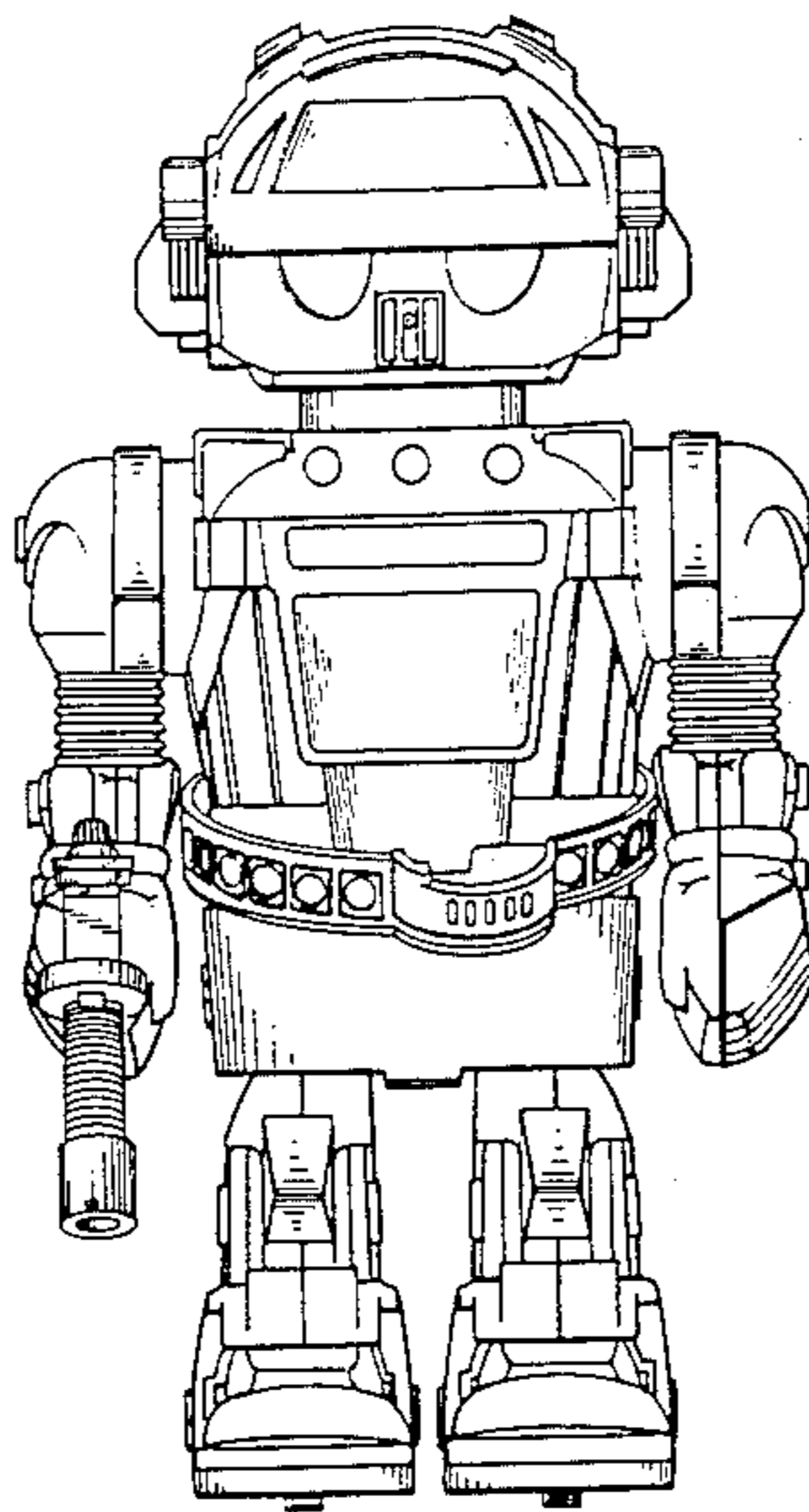
*Primary Examiner*—Melvin B. Feifer  
*Attorney, Agent, or Firm*—Staas & Halsey

[57] **CLAIM**

The ornamental design for a toy robot, substantially as shown.

**DESCRIPTION**

FIG. 1 is a front elevation of a toy robot showing my design.  
FIG. 2 is a rear elevation.  
FIG. 3 is a right side elevation.  
FIG. 4 is a left side elevation.  
FIG. 5 is a top plan.  
FIG. 6 is an underneath plan.



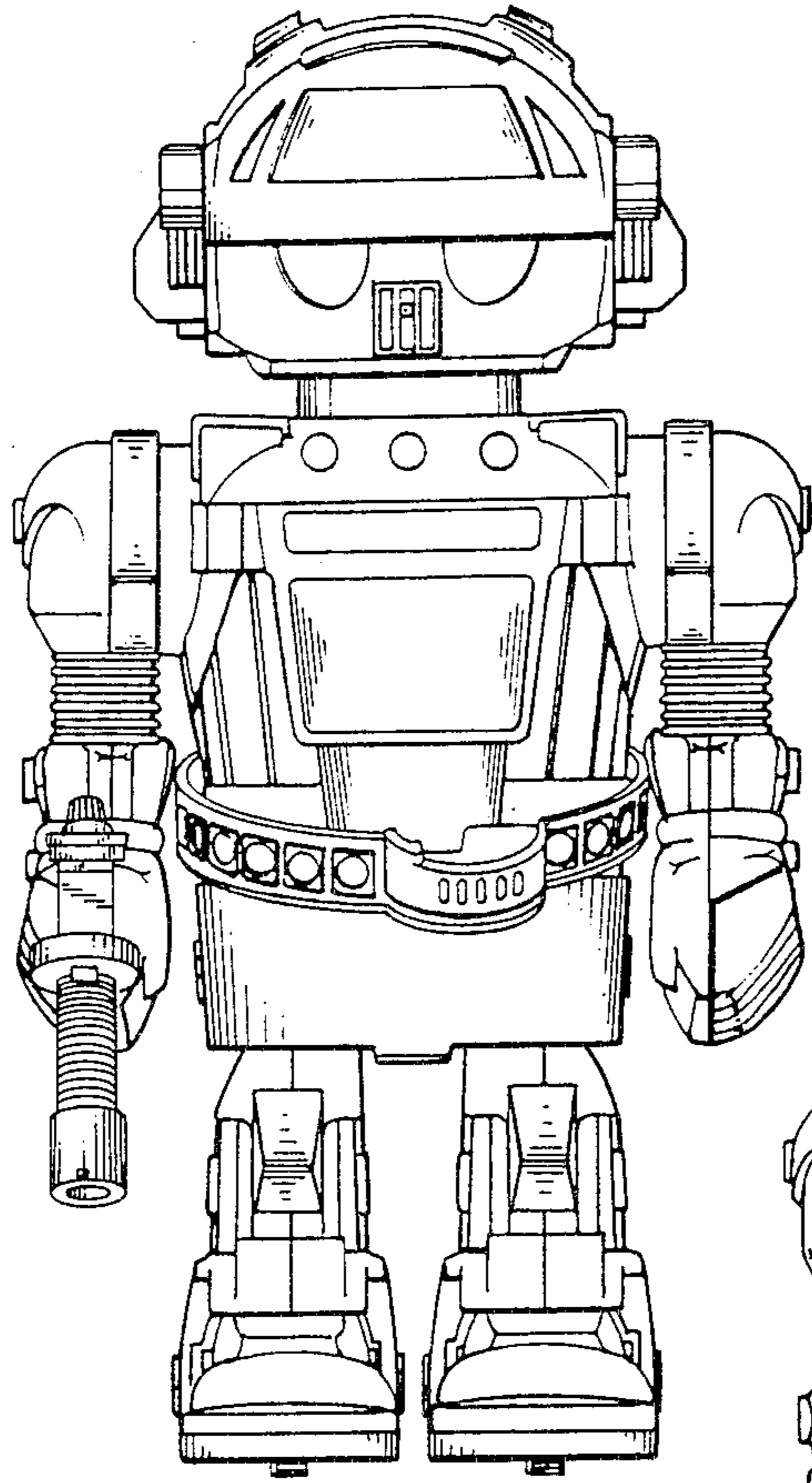


FIG. 1.

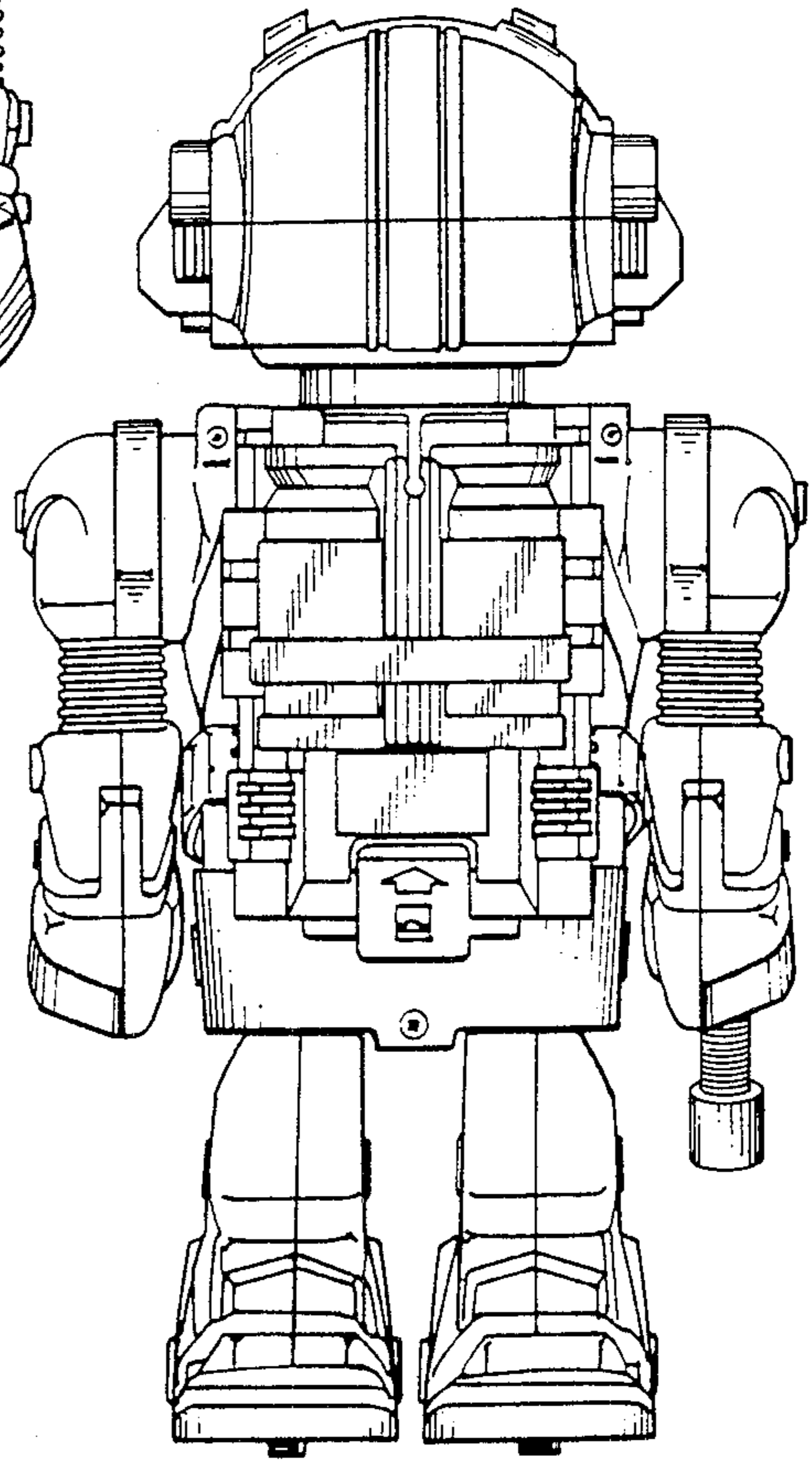


FIG. 2.

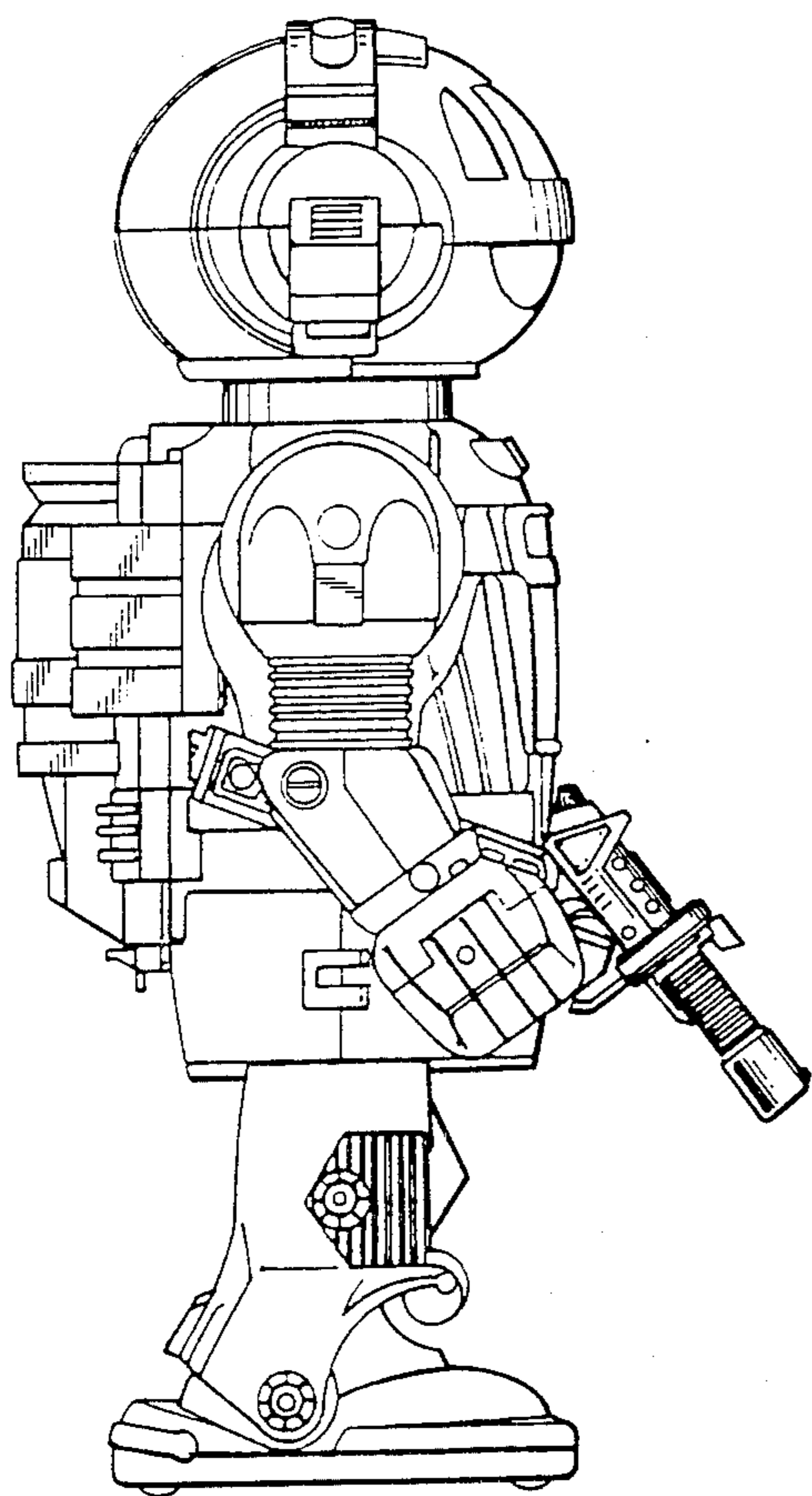


FIG. 3.

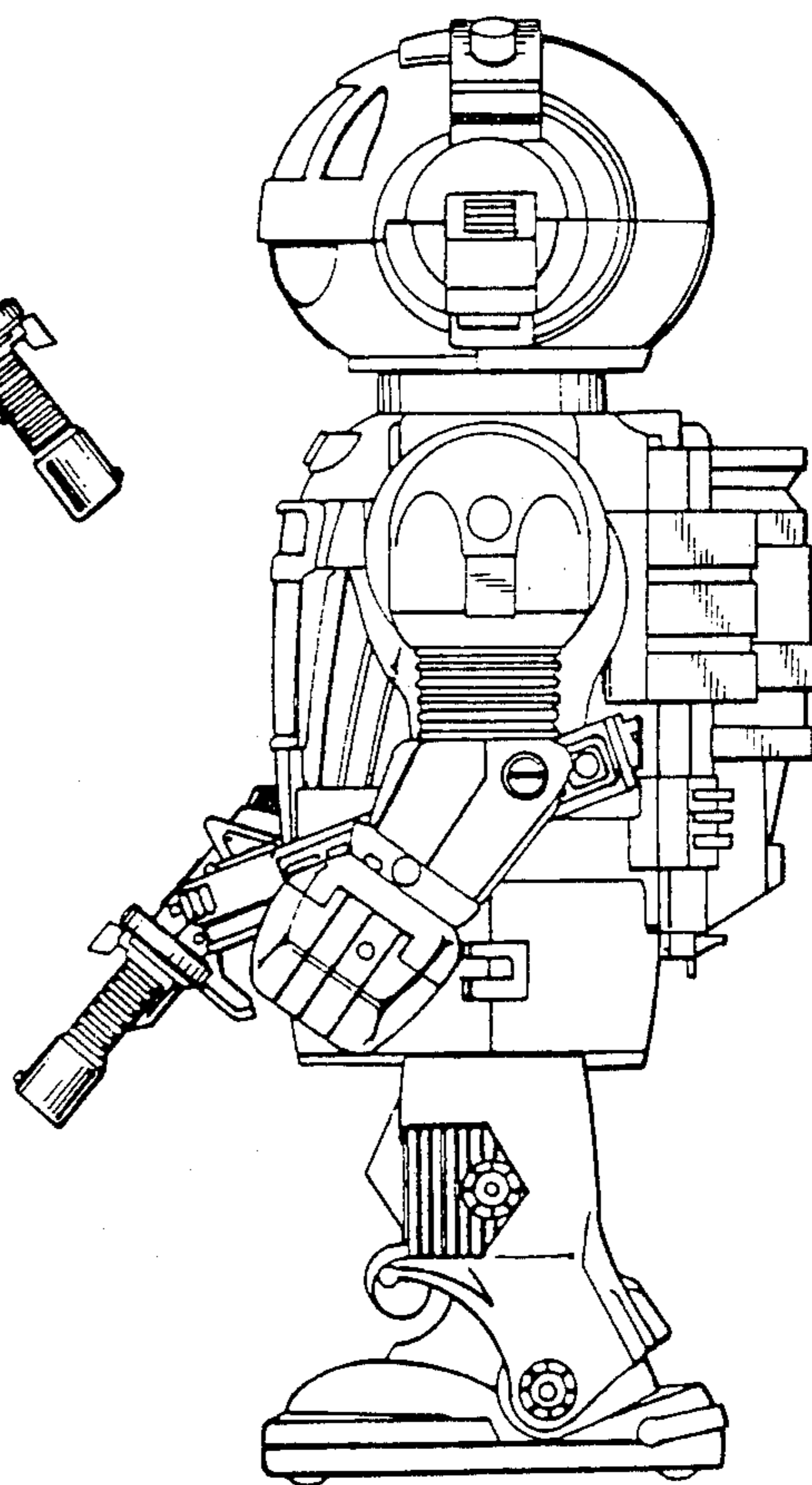


FIG. 4.

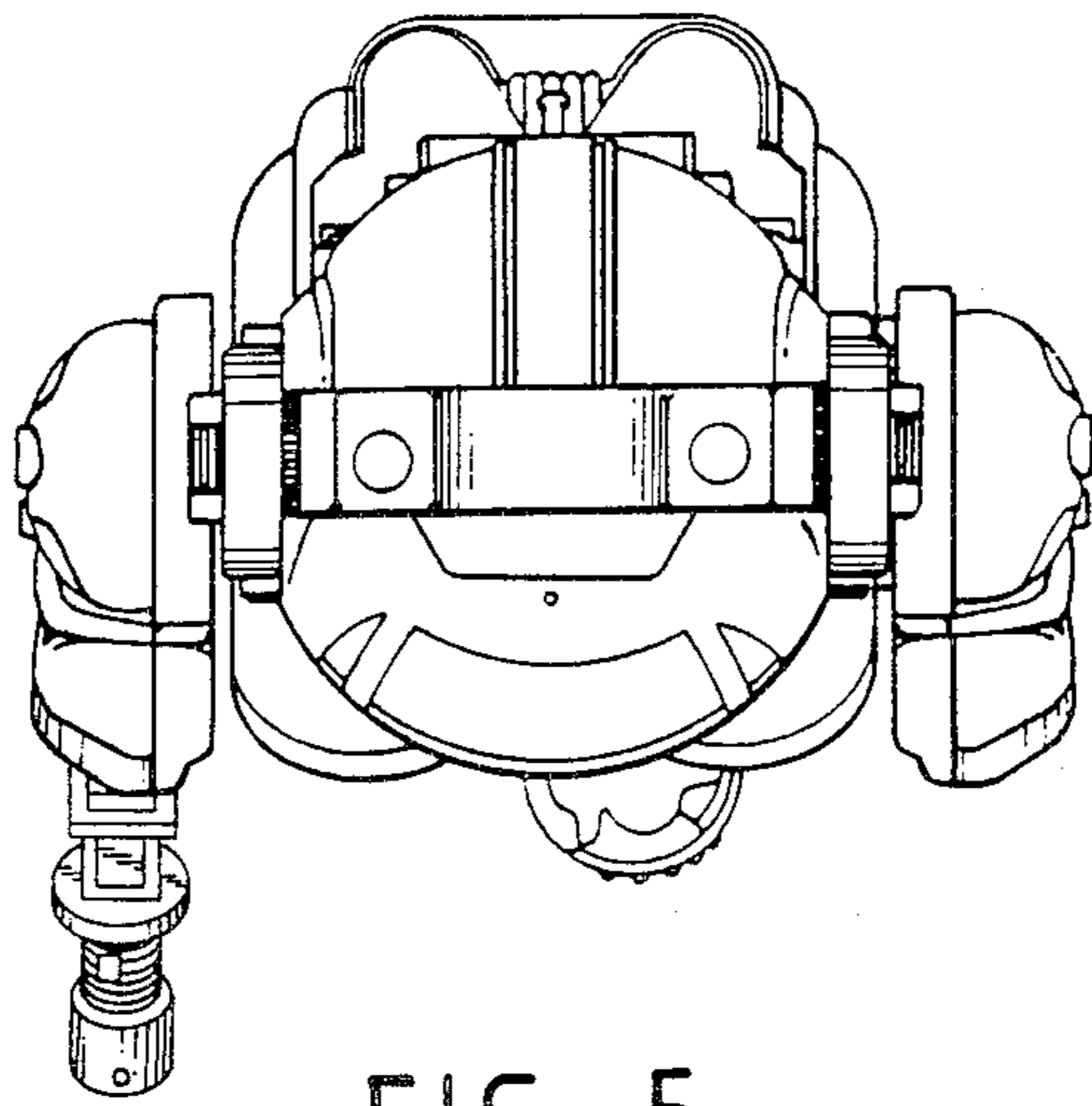


FIG. 5.

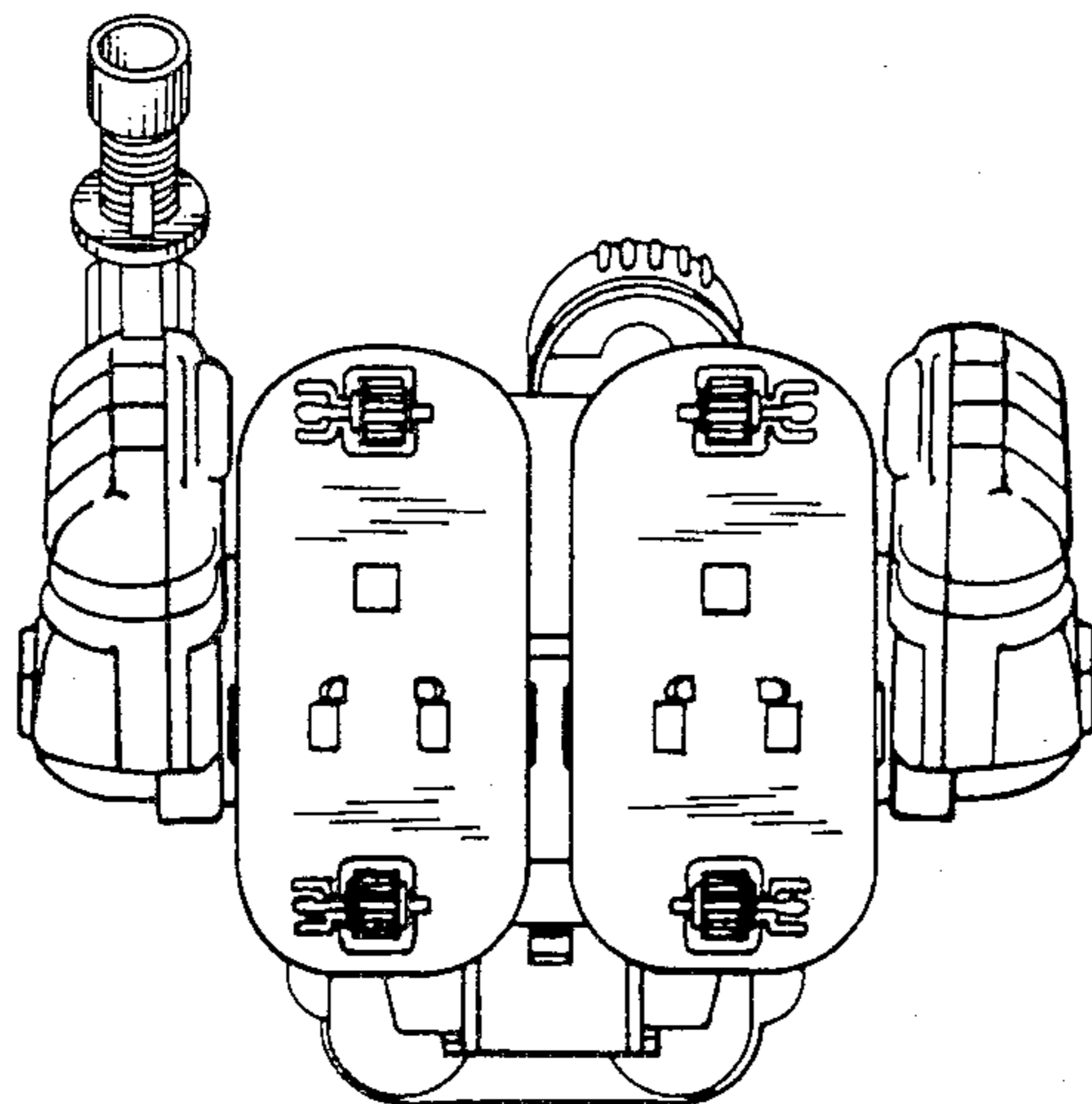


FIG. 6.