

[54] **RECONFIGURABLE BINOCULAR TOY**

[75] **Inventor: Hiroyuki Obara, Tokyo, Japan**

[73] **Assignee: Takara Co., Ltd., Tokyo, Japan**

[\*\*] **Term: 14 Years**

[21] **Appl. No.: 649,440**

[22] **Filed: Sep. 11, 1984**

[30] **Foreign Application Priority Data**

May 25, 1984 [JP] Japan ..... 59-021296  
[52] **U.S. Cl. .... D21/109; D16/133;**  
D21/166

[58] **Field of Search ..... D16/133; D21/59, 109,**  
D21/150, 166; 446/72, 146, 376, 390, 71, 487

[56] **References Cited**

**U.S. PATENT DOCUMENTS**

- |            |         |          |       |         |
|------------|---------|----------|-------|---------|
| D. 179,088 | 10/1956 | Klein    | ..... | D16/133 |
| D. 271,885 | 12/1983 | Giugiaro | ..... | D16/133 |
| D. 272,933 | 3/1984  | Murakami | ..... | D21/166 |
| D. 281,001 | 10/1985 | Ohno     | ..... | D21/166 |
| D. 281,087 | 10/1985 | Ohno     | ..... | D21/166 |

**FOREIGN PATENT DOCUMENTS**

55-1662 1/1980 Japan ..... 446/487

*Primary Examiner*—Charles A. Rademaker  
*Attorney, Agent, or Firm*—Price, Gess & Ubell

[57] **CLAIM**

The ornamental design for a reconfigurable binocular toy, as shown and described.

**DESCRIPTION**

FIG. 1 is a front perspective view of a reconfigurable binocular toy showing my new design;  
FIG. 2 is a front elevational view thereof;  
FIG. 3 is a rear elevational view thereof;  
FIG. 4 is a top plan view thereof;  
FIG. 5 is a bottom plan view thereof;  
FIG. 6 is a right side elevational view thereof, the side opposite being a mirror image;  
FIG. 7 is another front perspective view of the design shown in FIGS. 1 through 6 in a humanoid robot configuration;  
FIG. 8 is a front elevational view thereof;  
FIG. 9 is a rear elevational view thereof;  
FIG. 10 is a top plan view thereof;  
FIG. 11 is a bottom plan view thereof;  
FIG. 12 is a right side elevational view thereof, the side opposite being a mirror image.

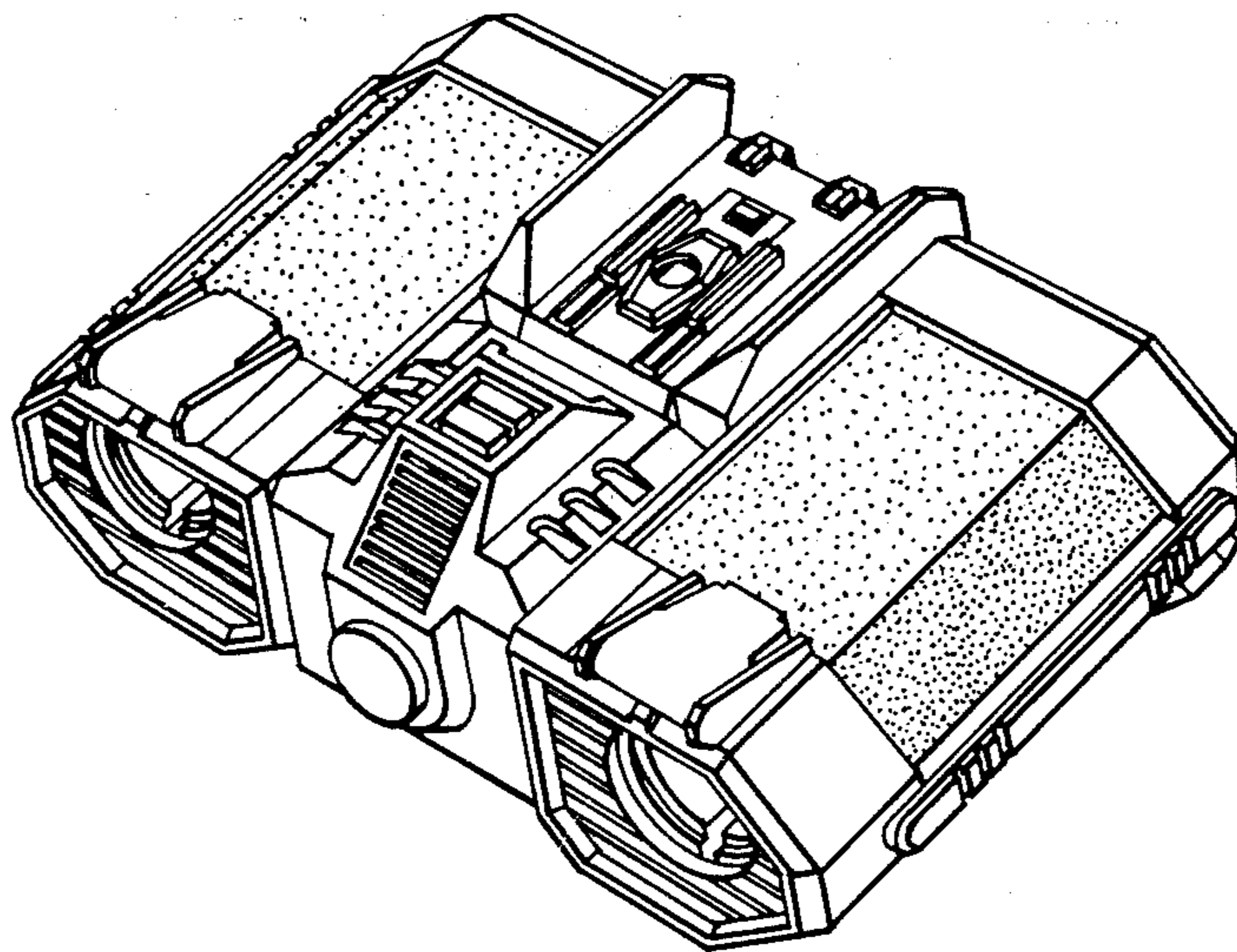


FIG.1

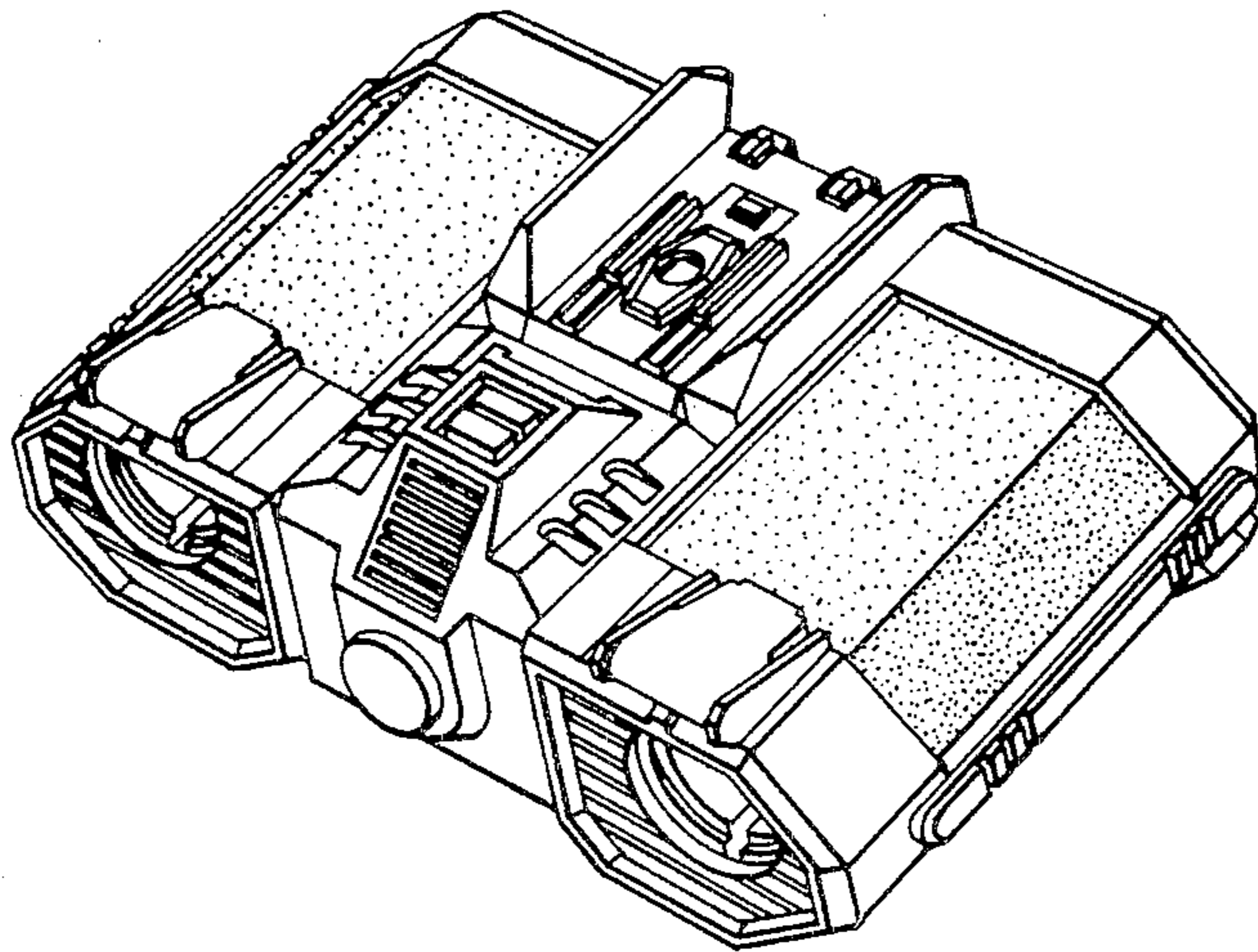


FIG.2

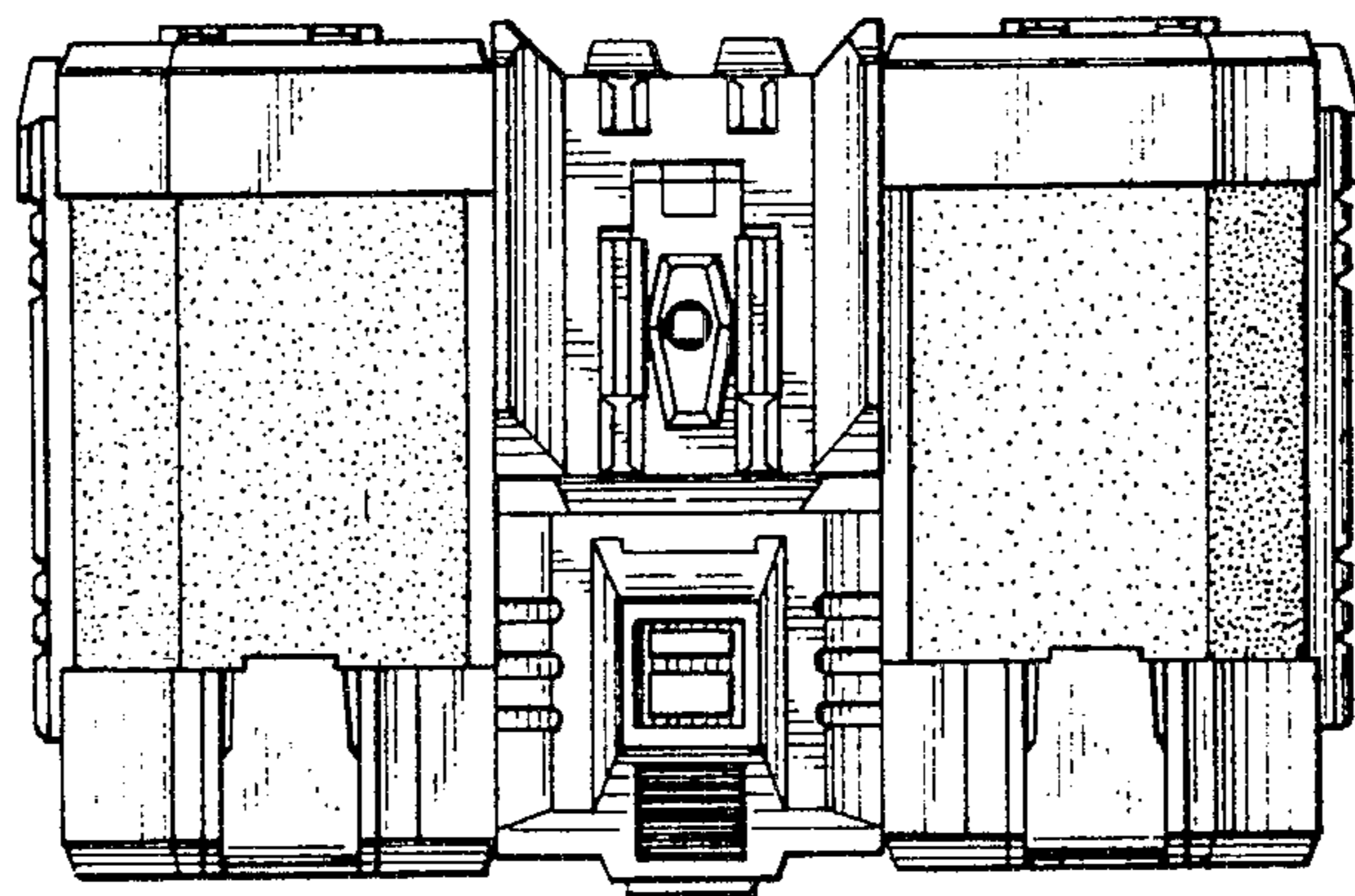


FIG.3

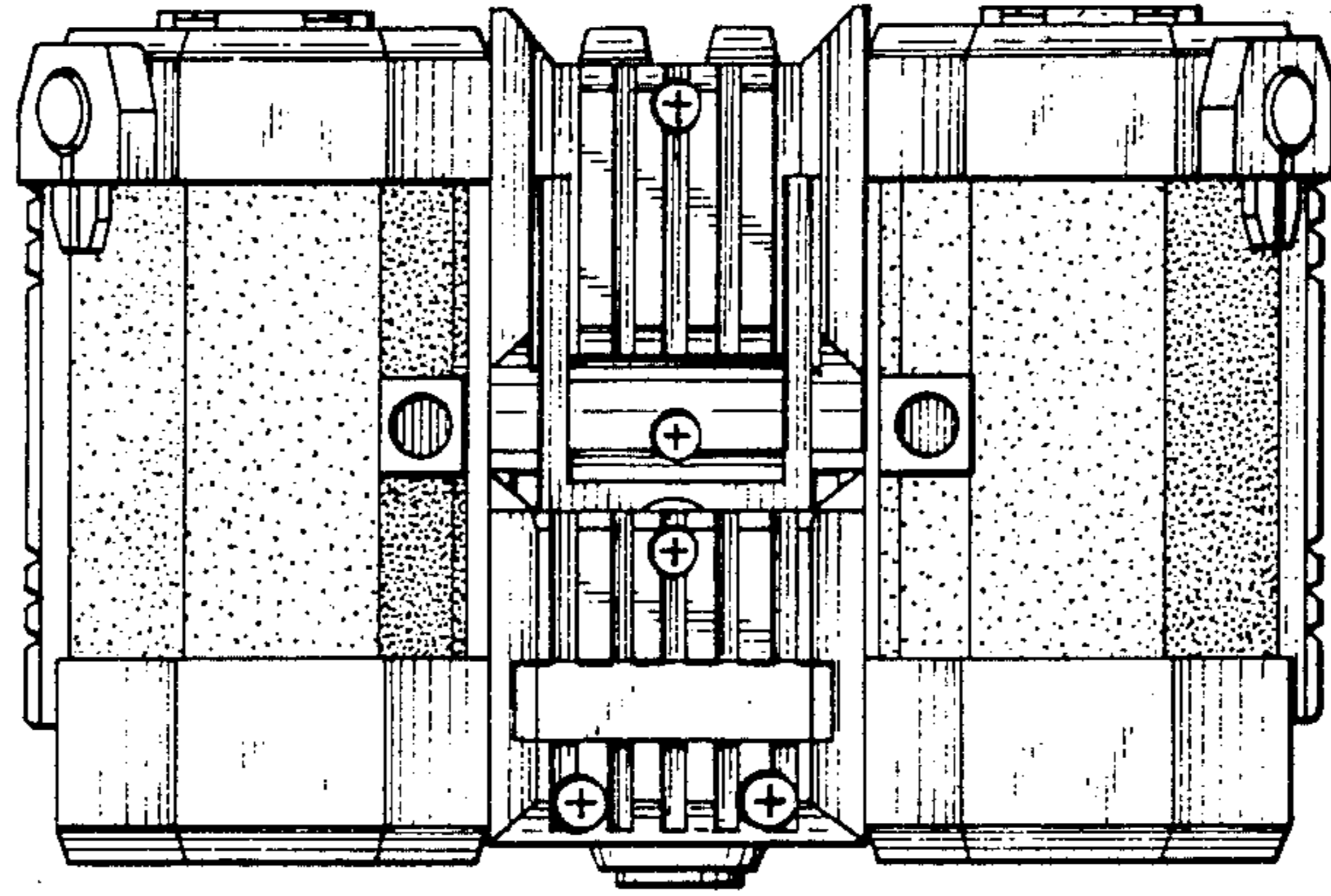


FIG.4

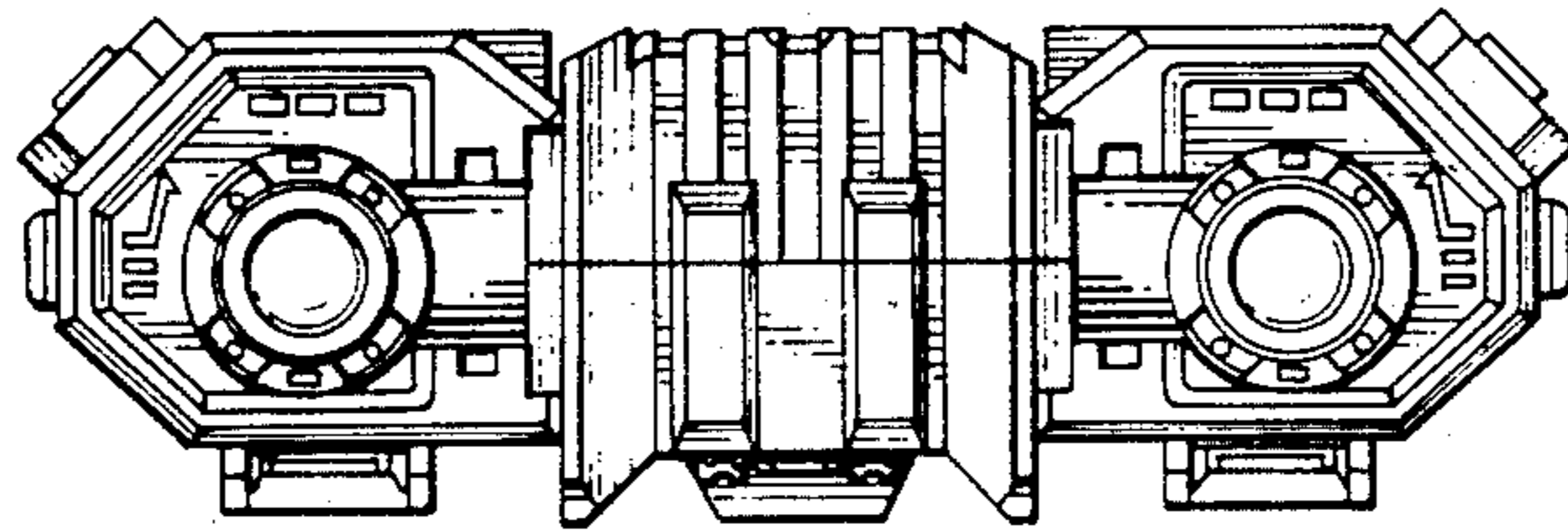


FIG.5

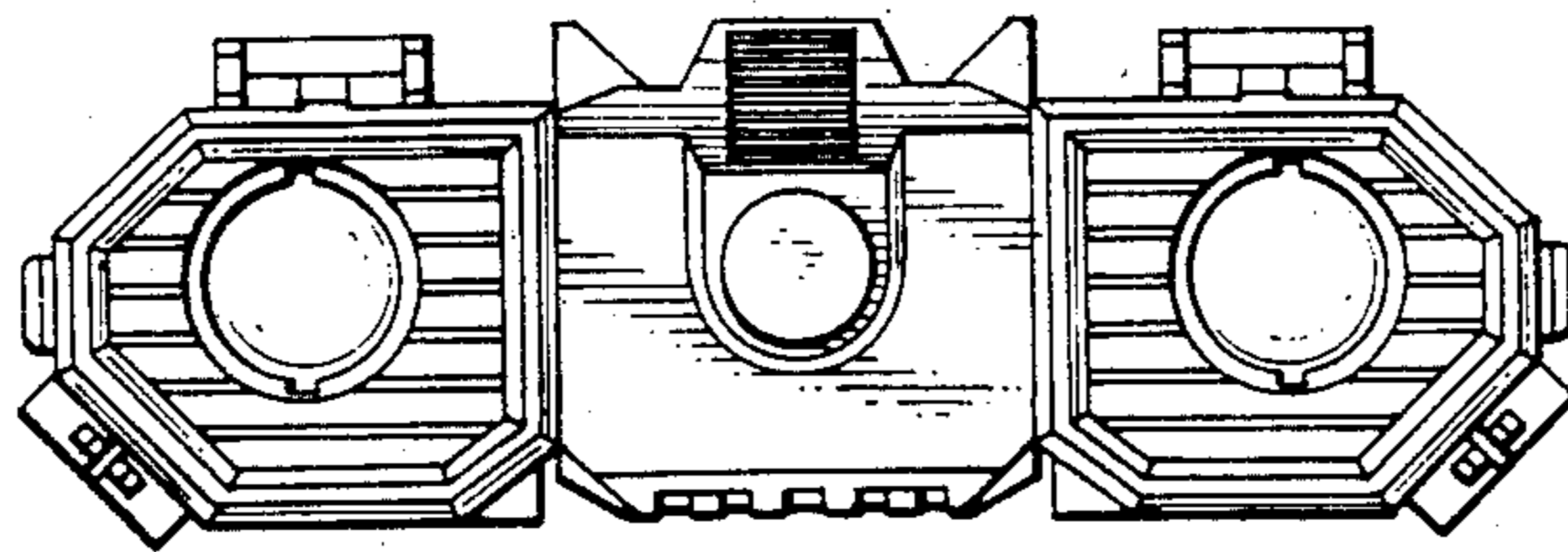




FIG. 6

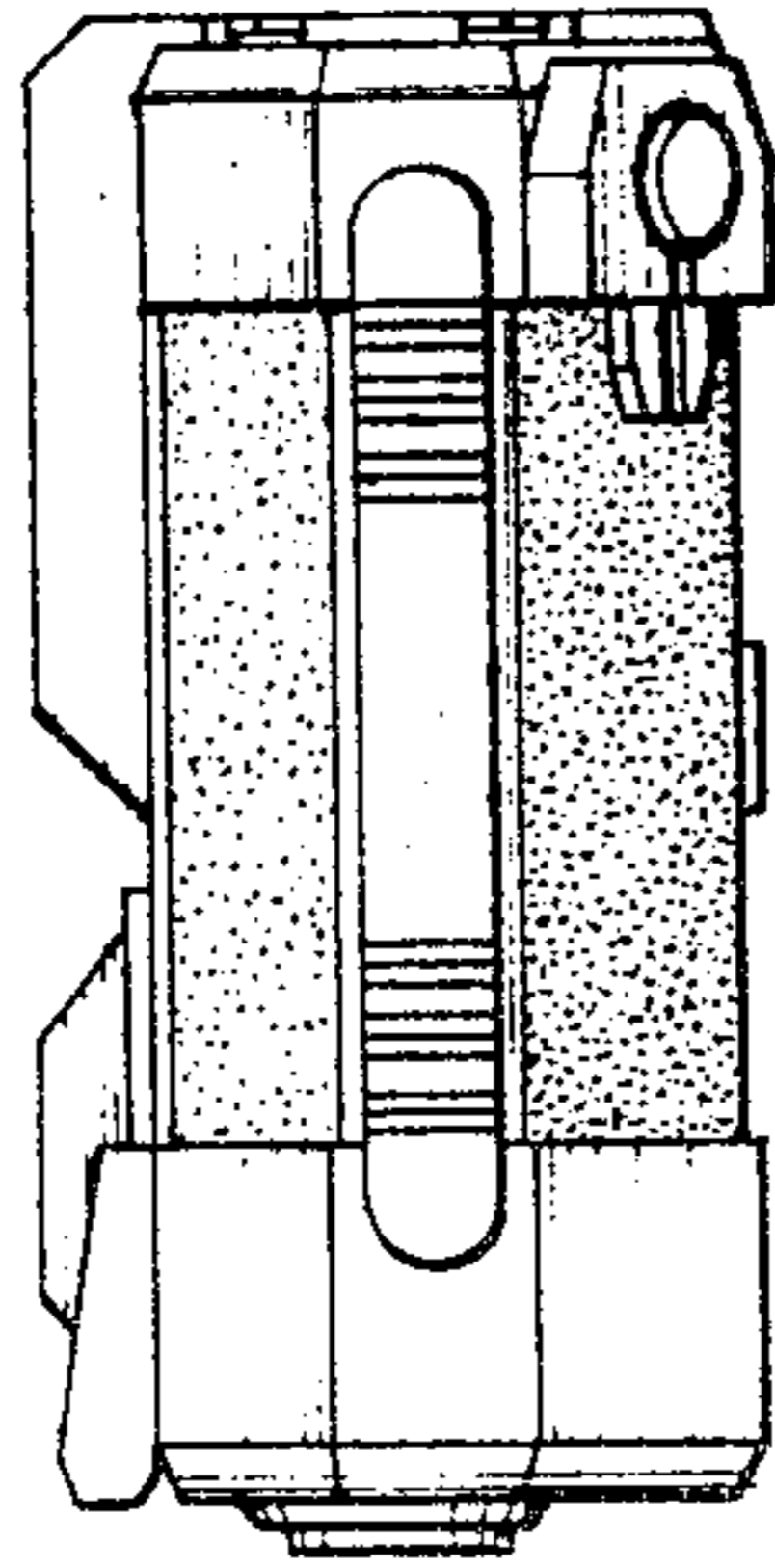


FIG. 7

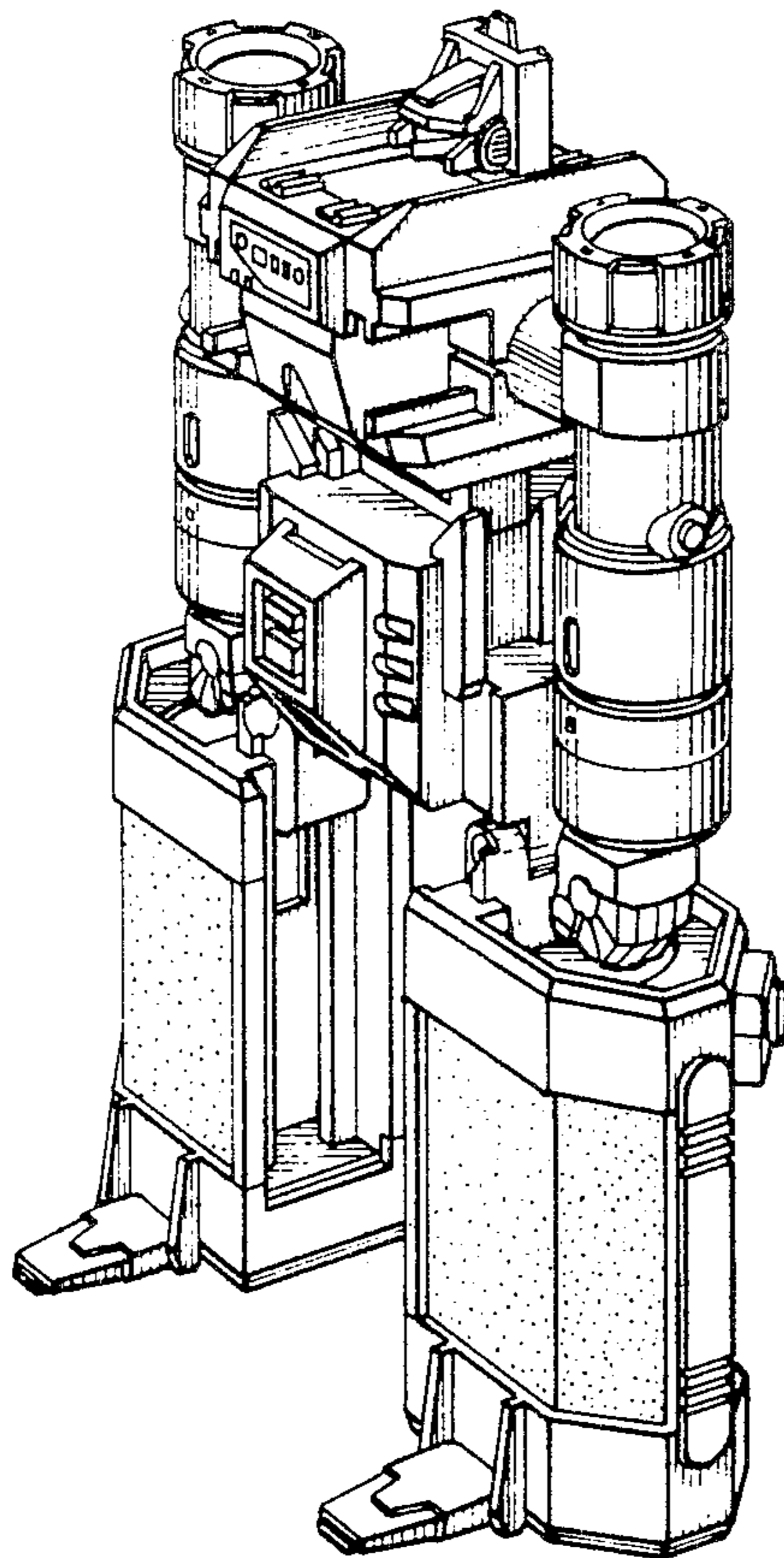


FIG. 9

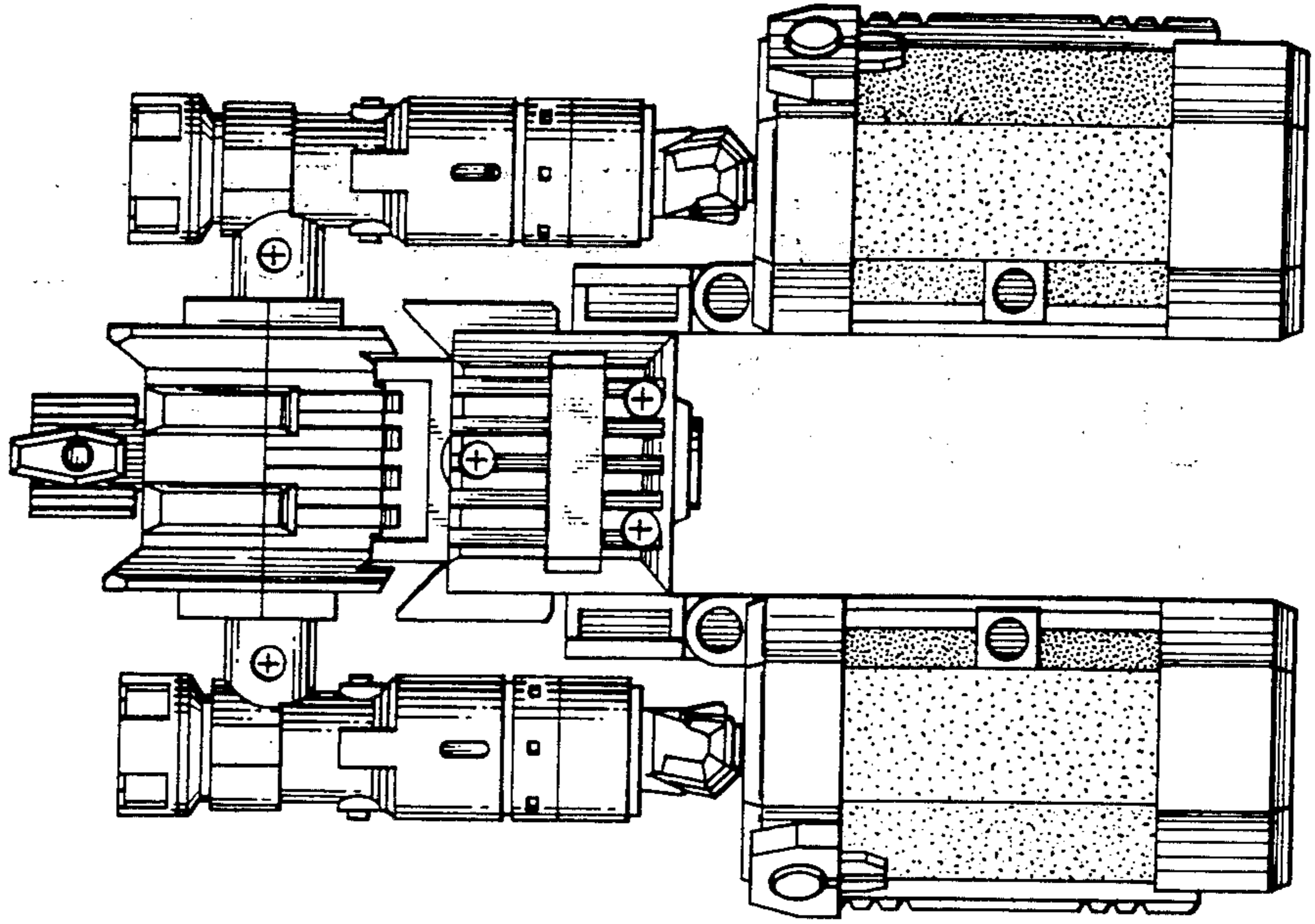


FIG. 8

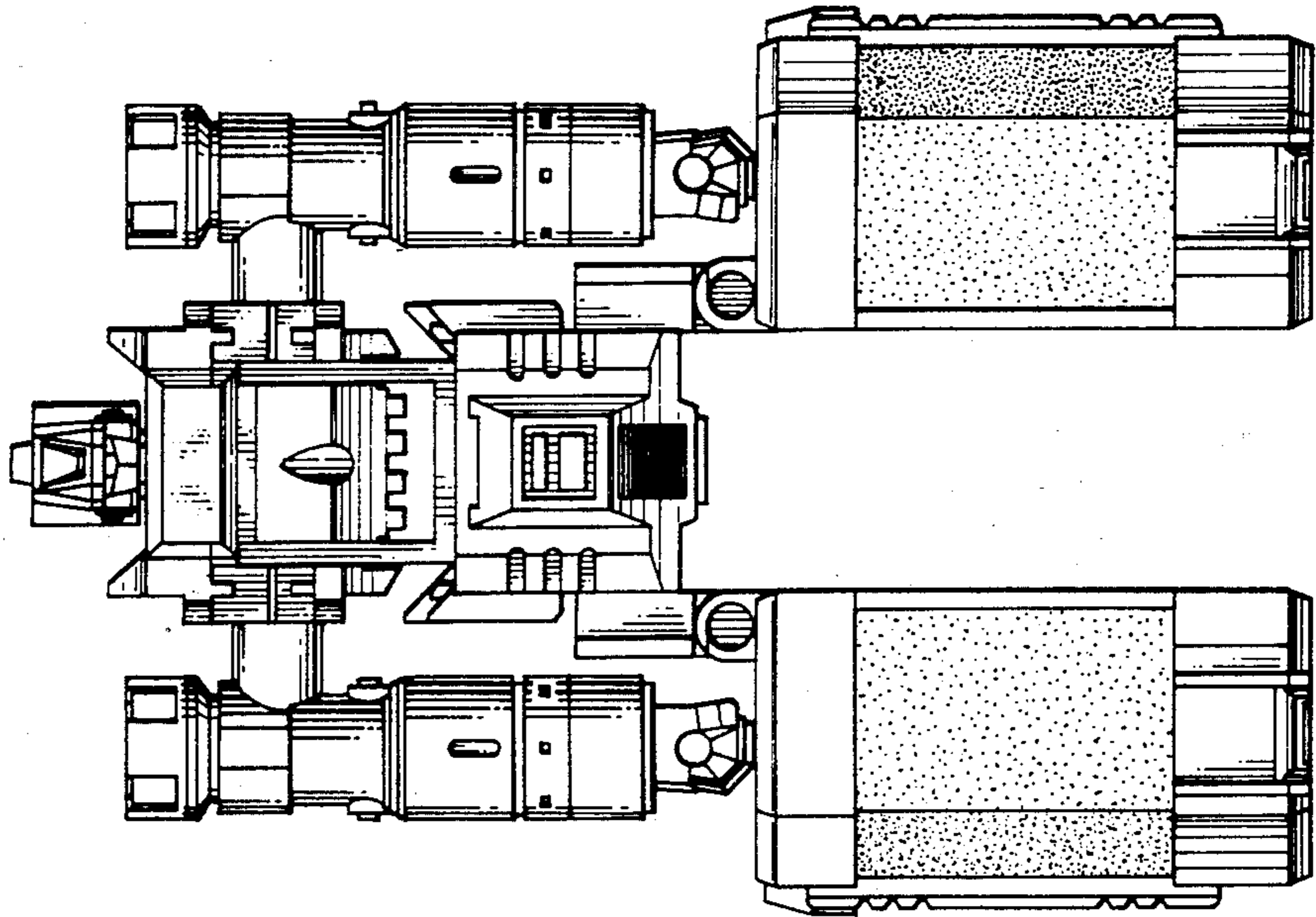


FIG.12

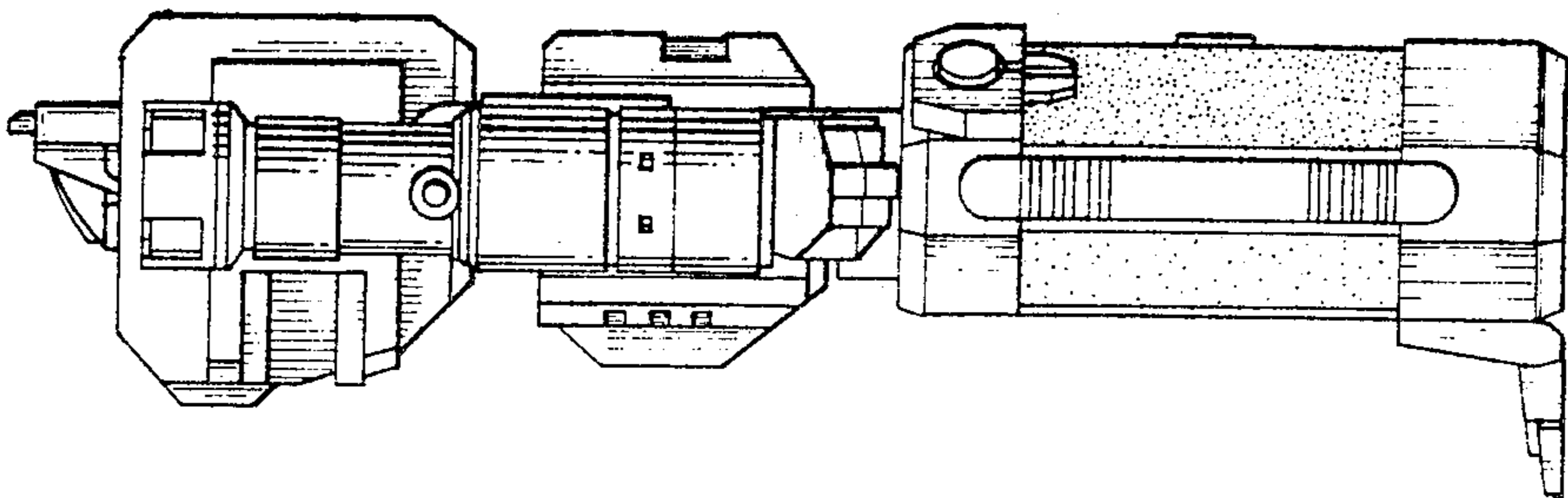


FIG.10

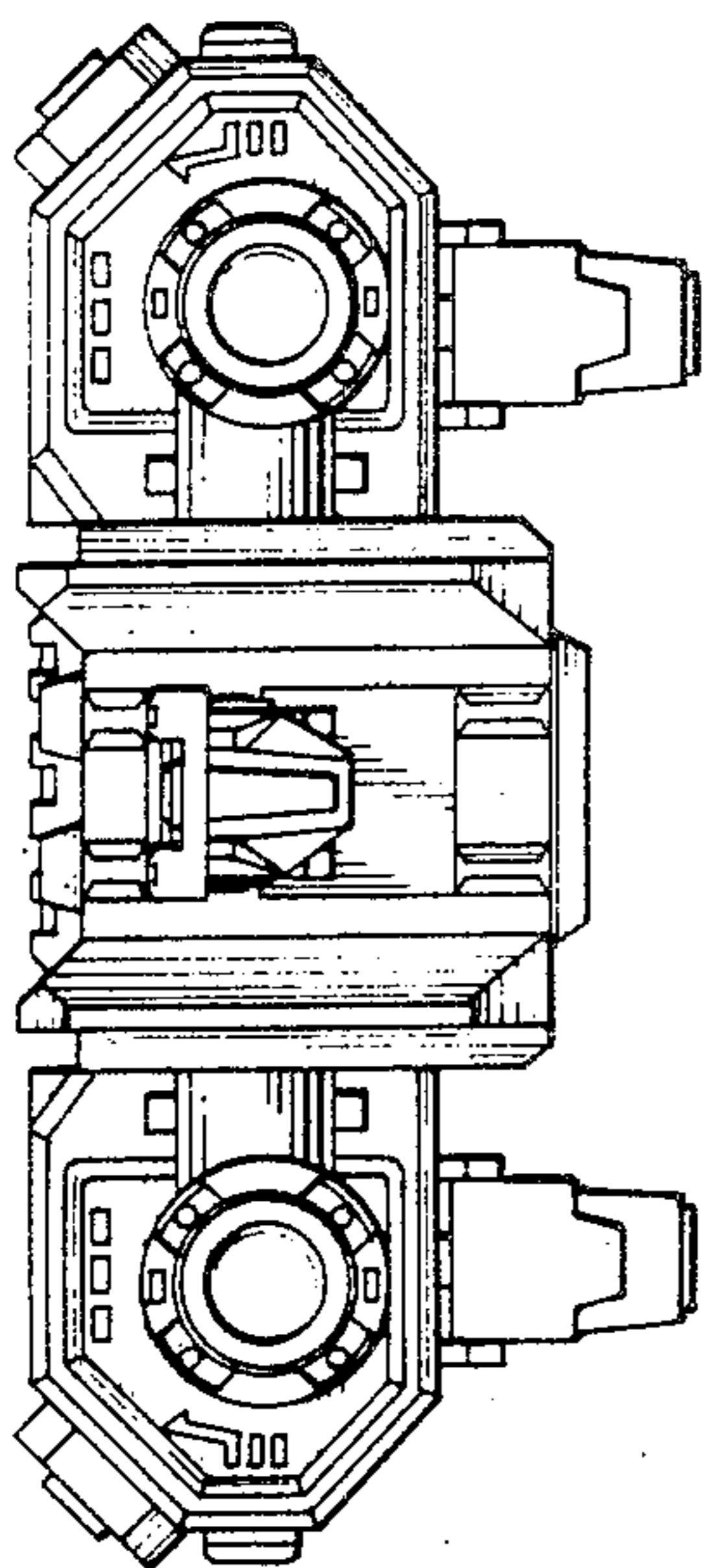


FIG.11

