

[54] **CRIB TOY**

[75] **Inventor: Ng Cheuk-Sun, Hong Kong, Hong Kong**

[73] **Assignee: Blue Box Toy Factory Pte. Limited, Singapore**

[**] **Term: 14 Years**

[21] **Appl. No.: 637,255**

[22] **Filed: Aug. 3, 1984**

[30] **Foreign Application Priority Data**

Mar. 1, 1984 [GB]	United Kingdom	1018247
[52] U.S. Cl.		D21/63
[58] Field of Search	D21/59, 63; 446/227;	434/259

[56] **References Cited**

U.S. PATENT DOCUMENTS

D. 182,154	2/1958	Allen et al.	D21/63
D. 281,438	11/1985	Wong	D21/63
2,437,241	3/1948	Burlin	D21/63
3,699,704	10/1972	Hakim	D21/63
4,335,538	6/1982	Greenberg	446/227

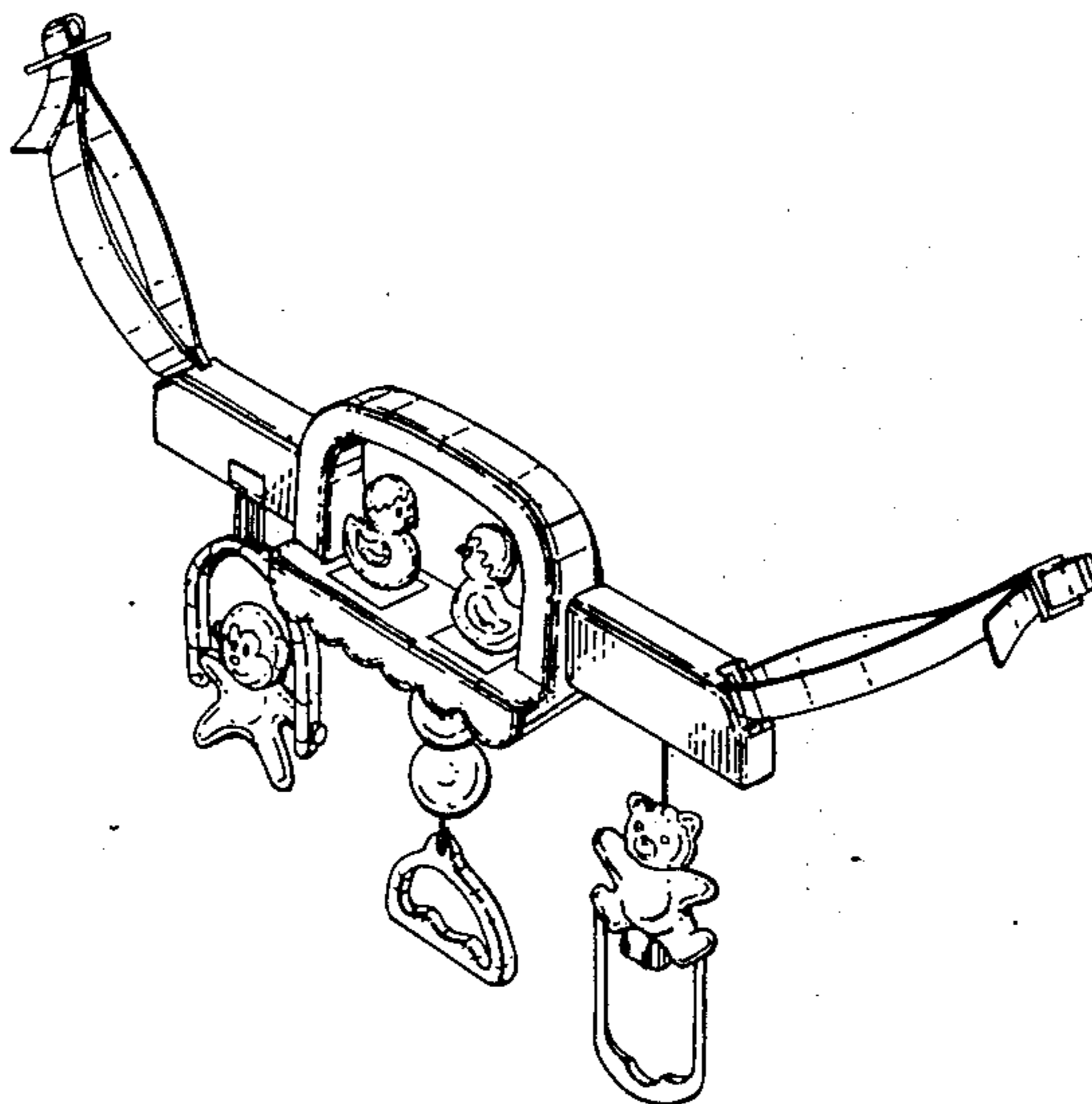
Primary Examiner—Charles A. Rademaker
Attorney, Agent, or Firm—Pollock, Vande Sande & Priddy

[57] **CLAIM**

The ornamental design for a crib toy, as shown.

DESCRIPTION

FIG. 1 is a front perspective view of a crib toy showing my new design;
FIG. 2 is a side elevational view thereof;
FIG. 3 is a rear elevational view thereof; and,
FIG. 4 is a bottom plan view thereof.



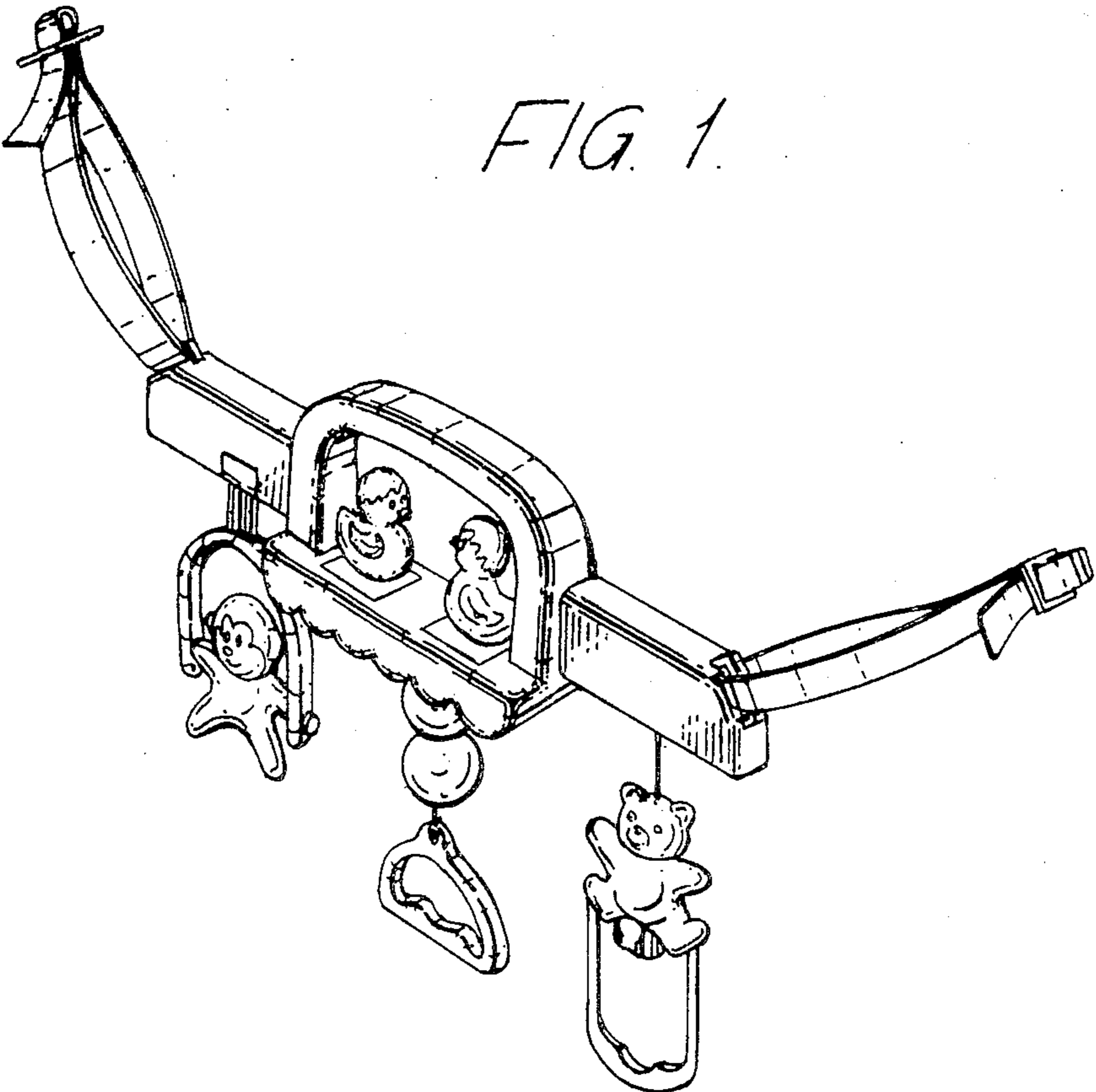


FIG. 1.

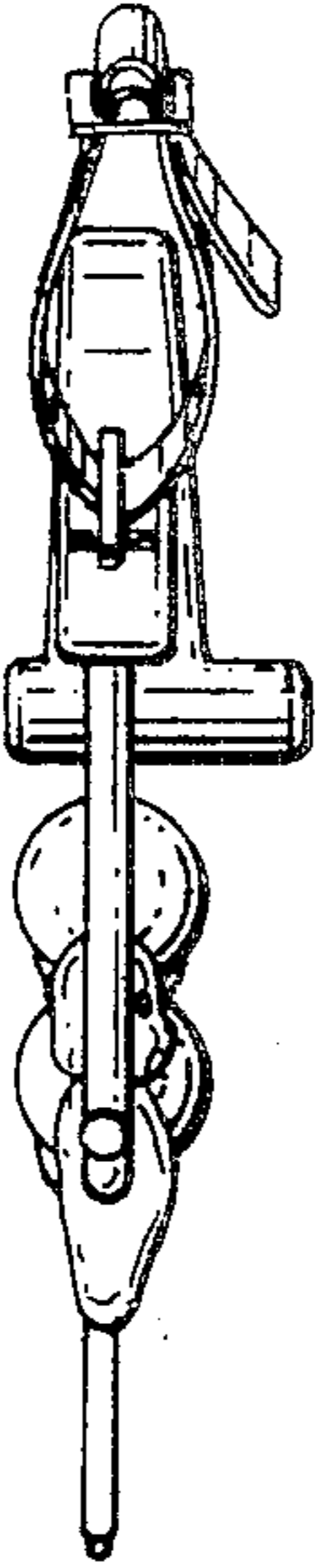


FIG. 2.

FIG. 3.

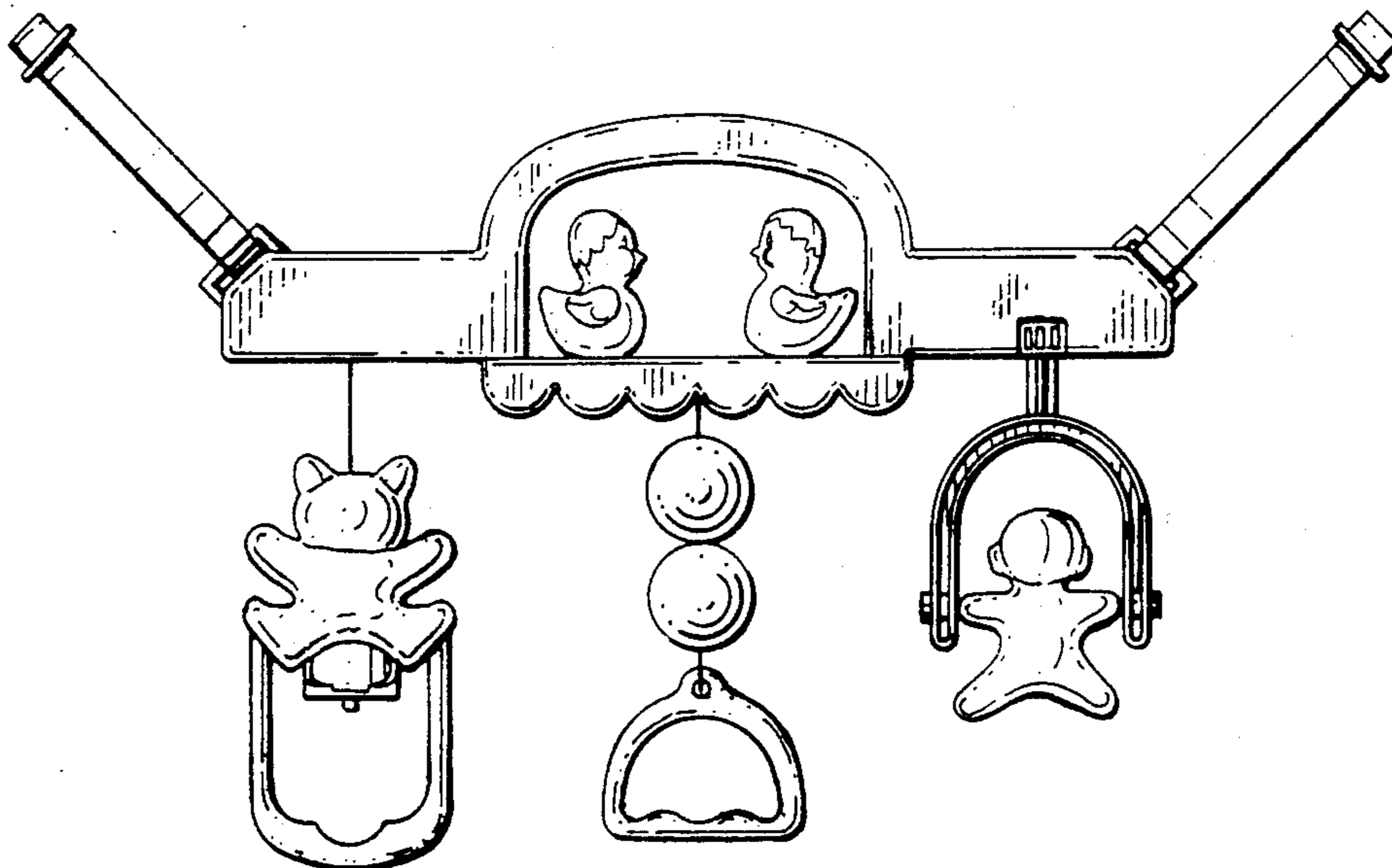


FIG. 4.

