

[54] COMBINED PENCIL, MEMO AND TAPE HOLDER

[76] Inventor: Stephen H. Wolff, 222 E. 35th St., New York, N.Y. 10016

[\*\*] Term: 14 Years

[21] Appl. No.: 631,348

[22] Filed: Jul. 16, 1984

[52] U.S. Cl. .... D19/78; D19/69; D19/75; D19/85

[58] Field of Search ..... D19/20-23, D19/75-85, 66-69, 90-92; 206/214

[56] References Cited

U.S. PATENT DOCUMENTS

D. 250,823	1/1979	Theobald	.....	D19/77
D. 263,244	3/1982	Laughlin	.....	D19/77
D. 264,821	6/1982	Henkels	.....	D19/77
D. 266,675	10/1982	Polhemus et al.	.....	D19/77
D. 278,251	4/1985	Dobbs	.....	D19/77
D. 283,630	4/1986	Yuen	.....	D19/77

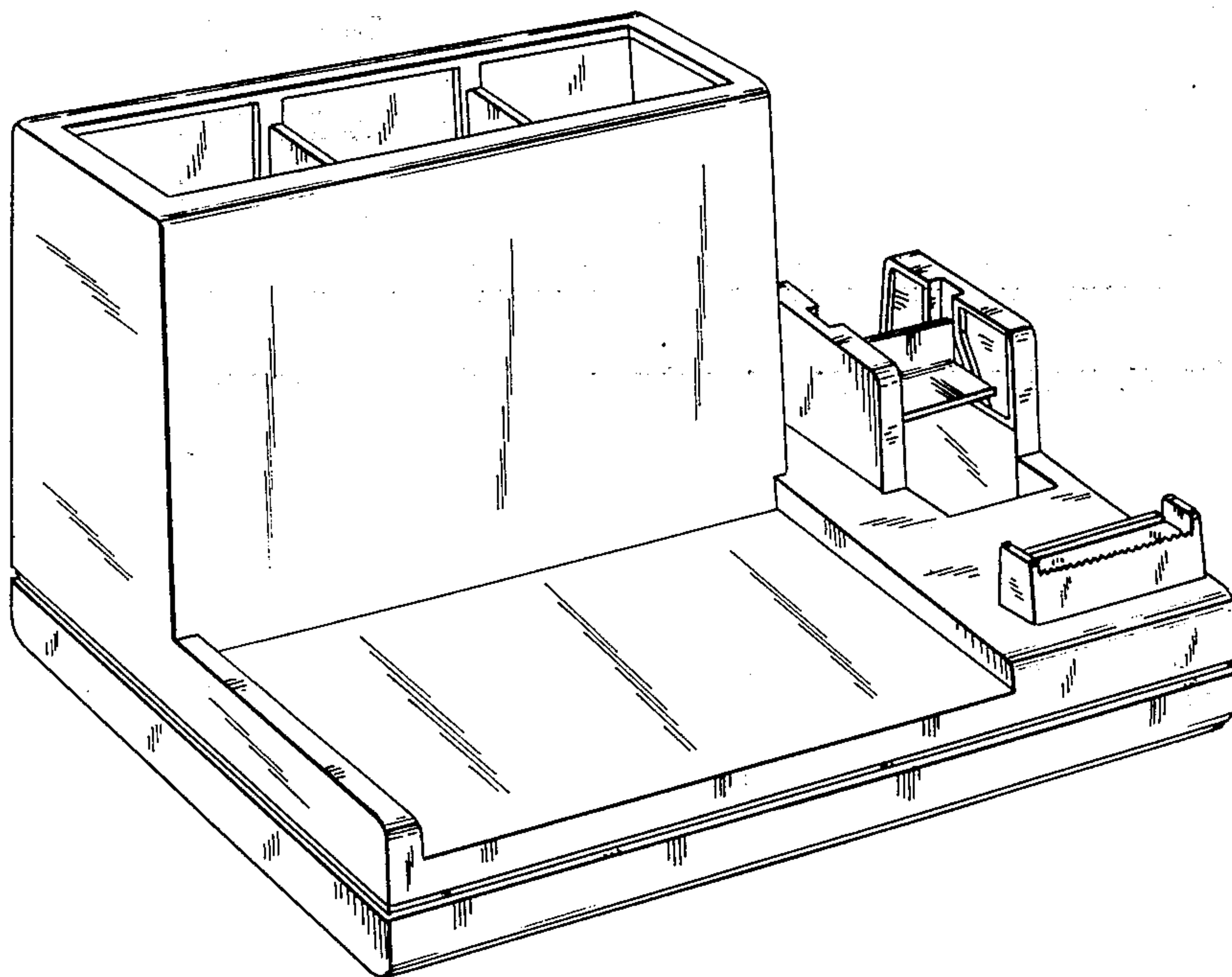
Primary Examiner—George P. Word  
Attorney, Agent, or Firm—Jacobs & Jacobs

[57] CLAIM

The ornamental design for a combined pencil, memo and tape holder, as shown and described.

DESCRIPTION

FIG. 1 is a perspective view of a combined pencil, memo and tape holder showing my new design;  
 FIG. 2 is a front elevational view;  
 FIG. 3 is a rear elevational view;  
 FIG. 4 is a right side elevational view;  
 FIG. 5 is a left side elevational view;  
 FIG. 6 is a top plan view;  
 FIG. 7 is a bottom plan view;  
 FIG. 8 is a view of one wall of the tape holder taken along the lines 8—8 of FIG. 3, the opposite wall being the mirror image thereof;  
 FIG. 9 is a cross-sectional view taken along line 9—9 of FIG. 3; and  
 FIG. 10 is a cross-sectional view taken along line 10—10 of FIG. 8.



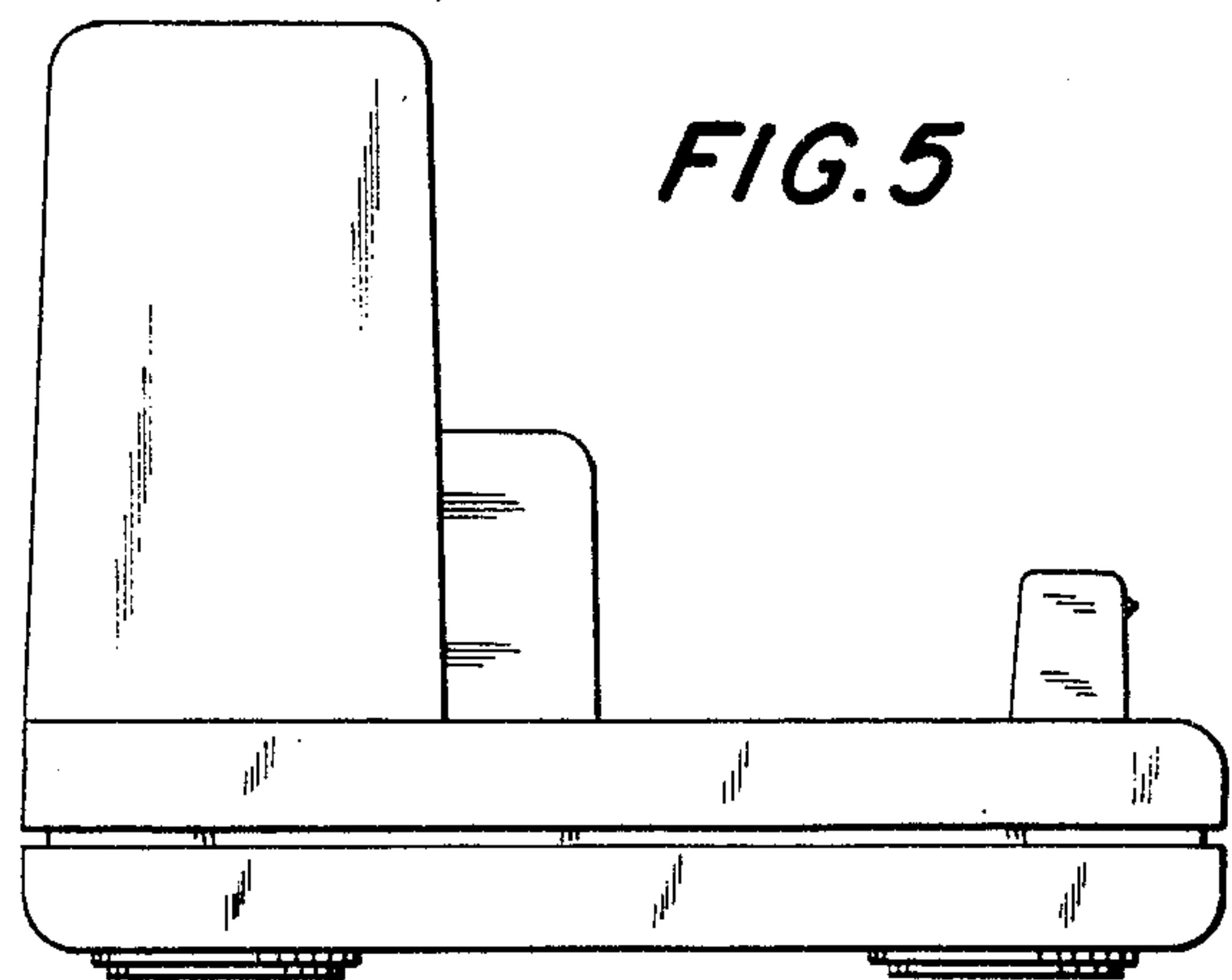
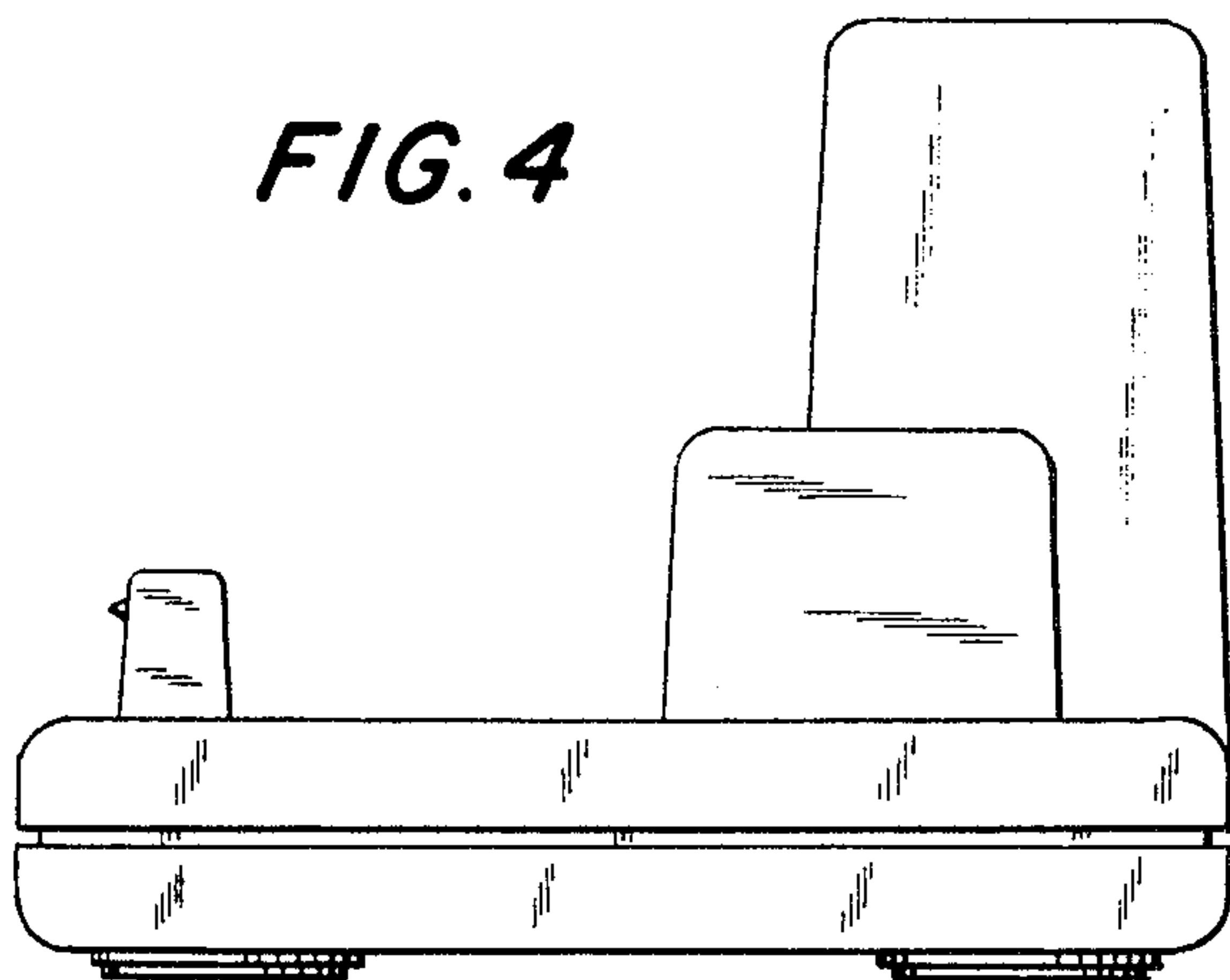
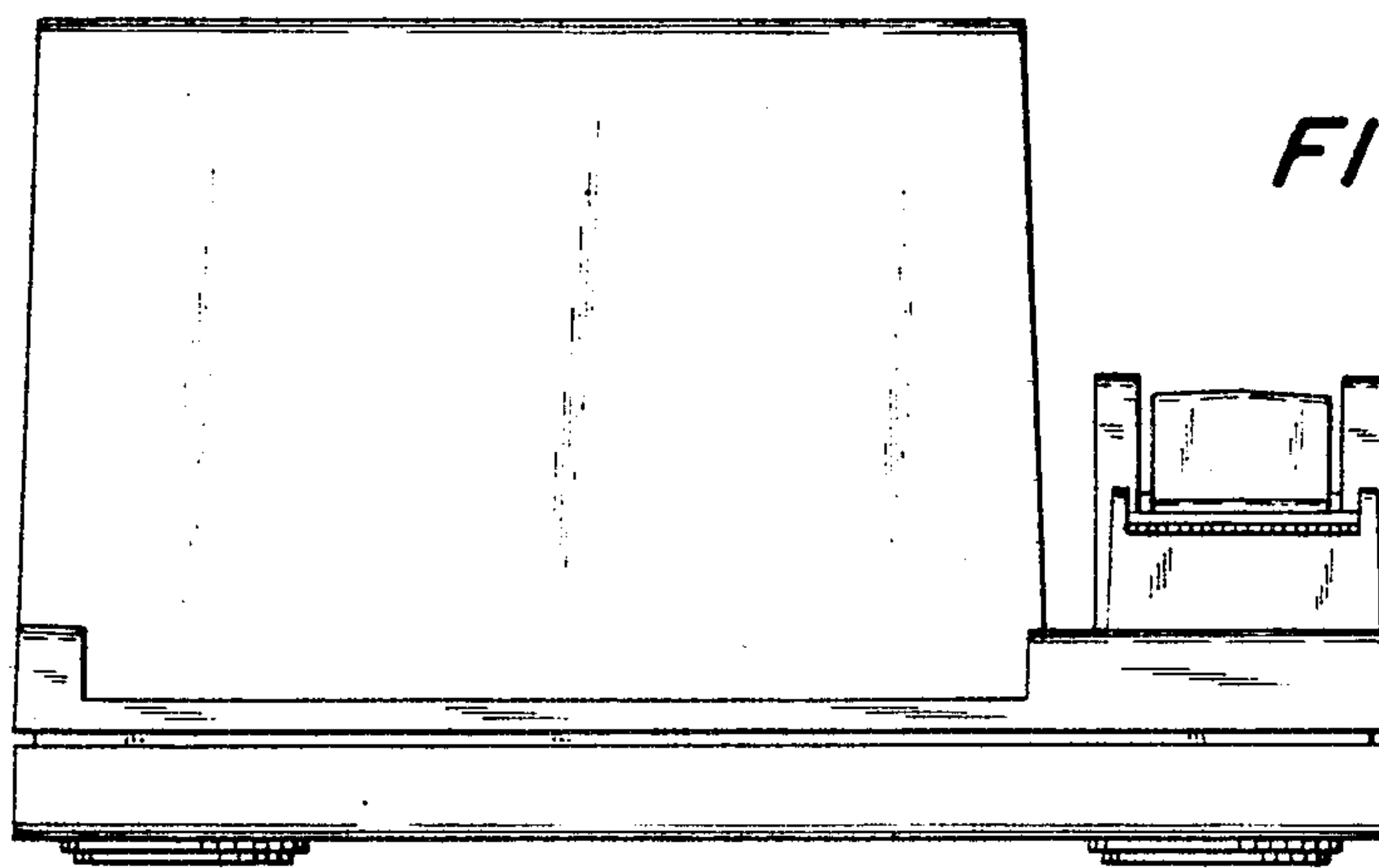
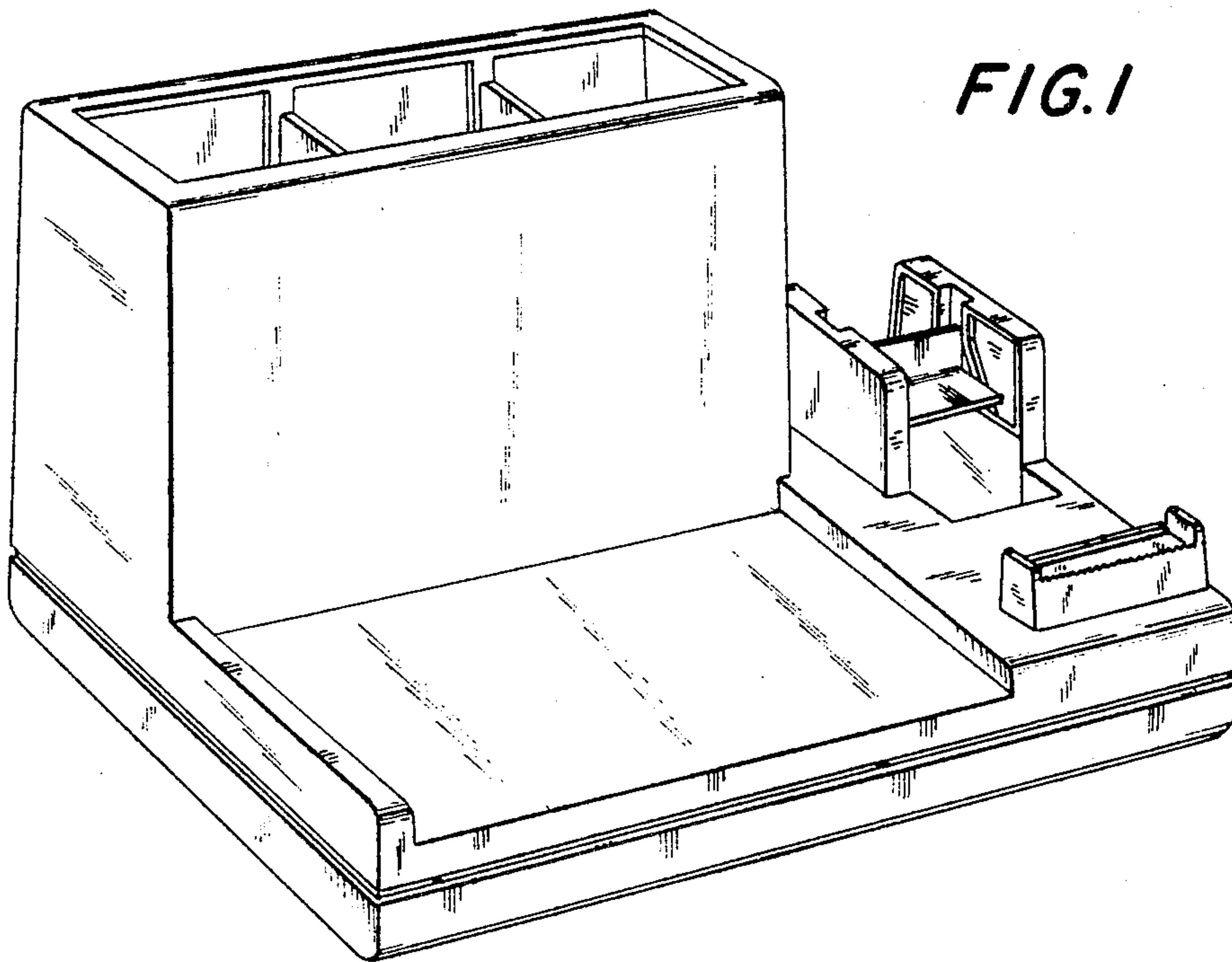


FIG. 3

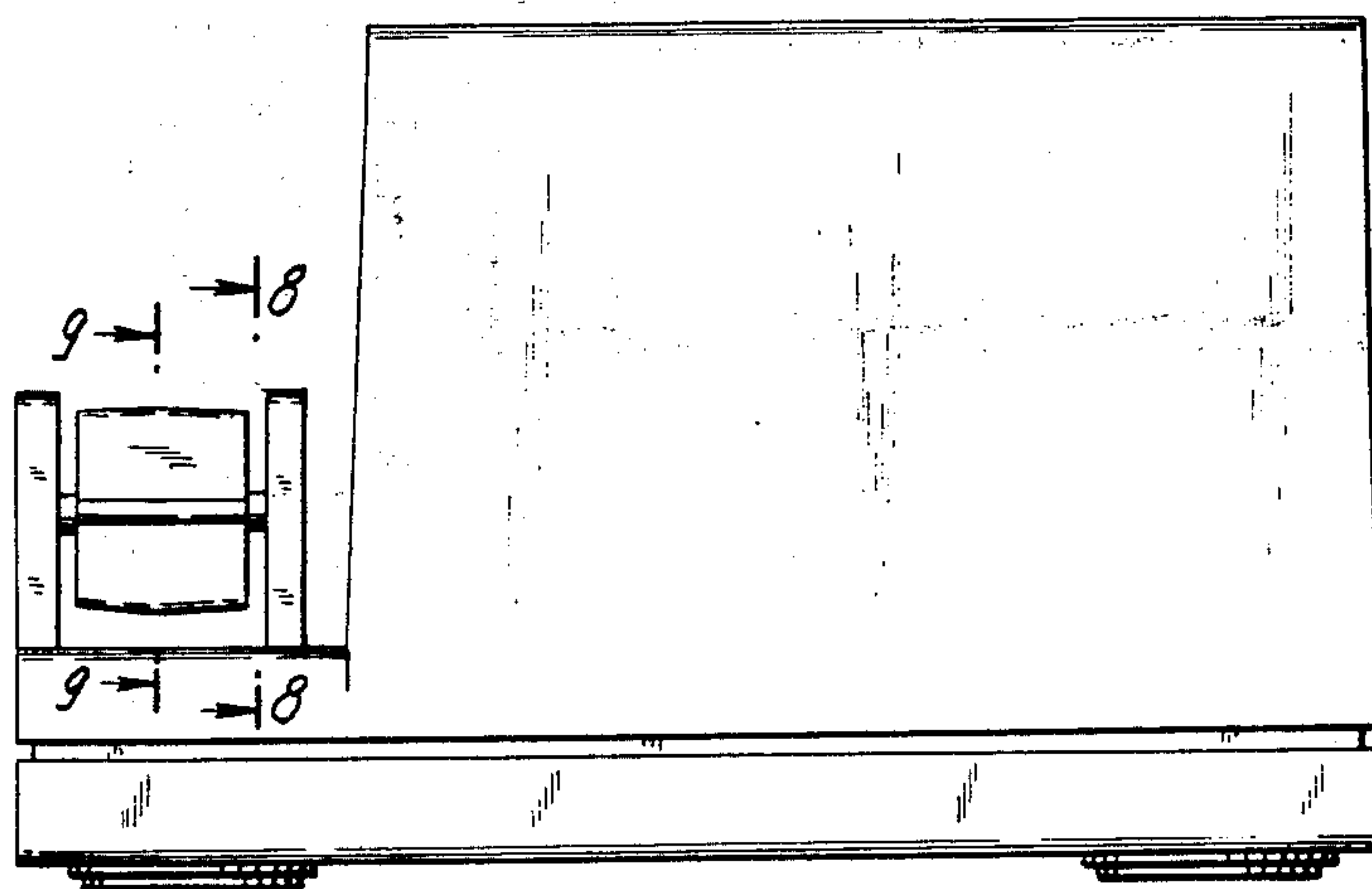


FIG. 8

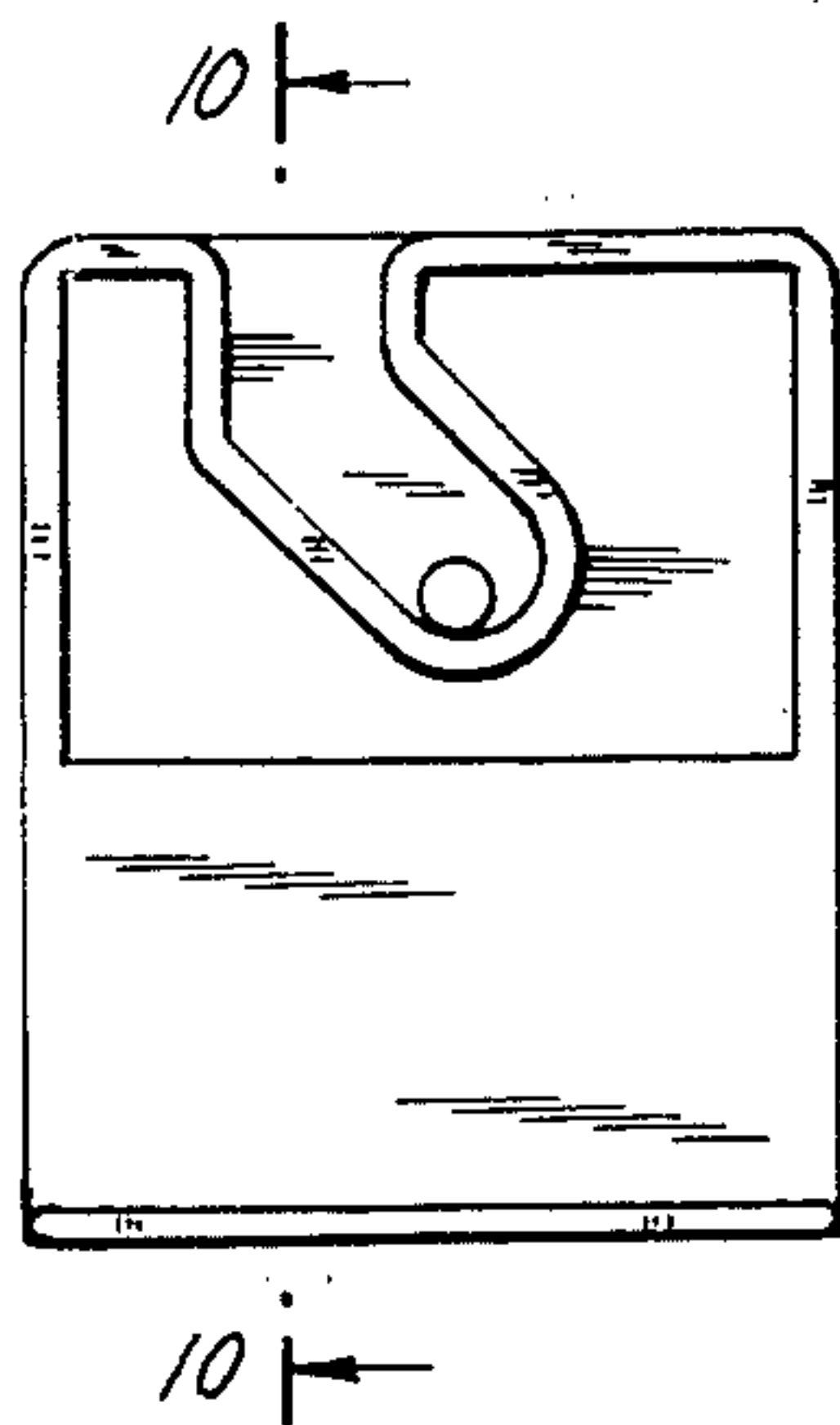


FIG. 10

FIG. 9

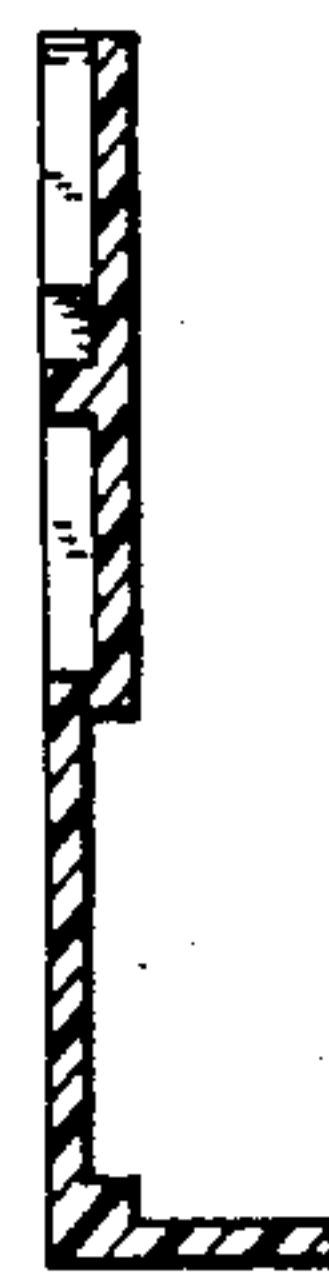
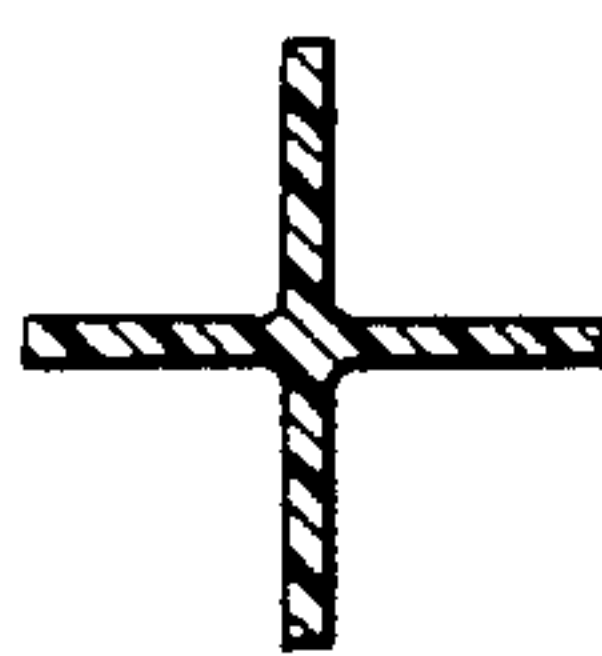


FIG. 6

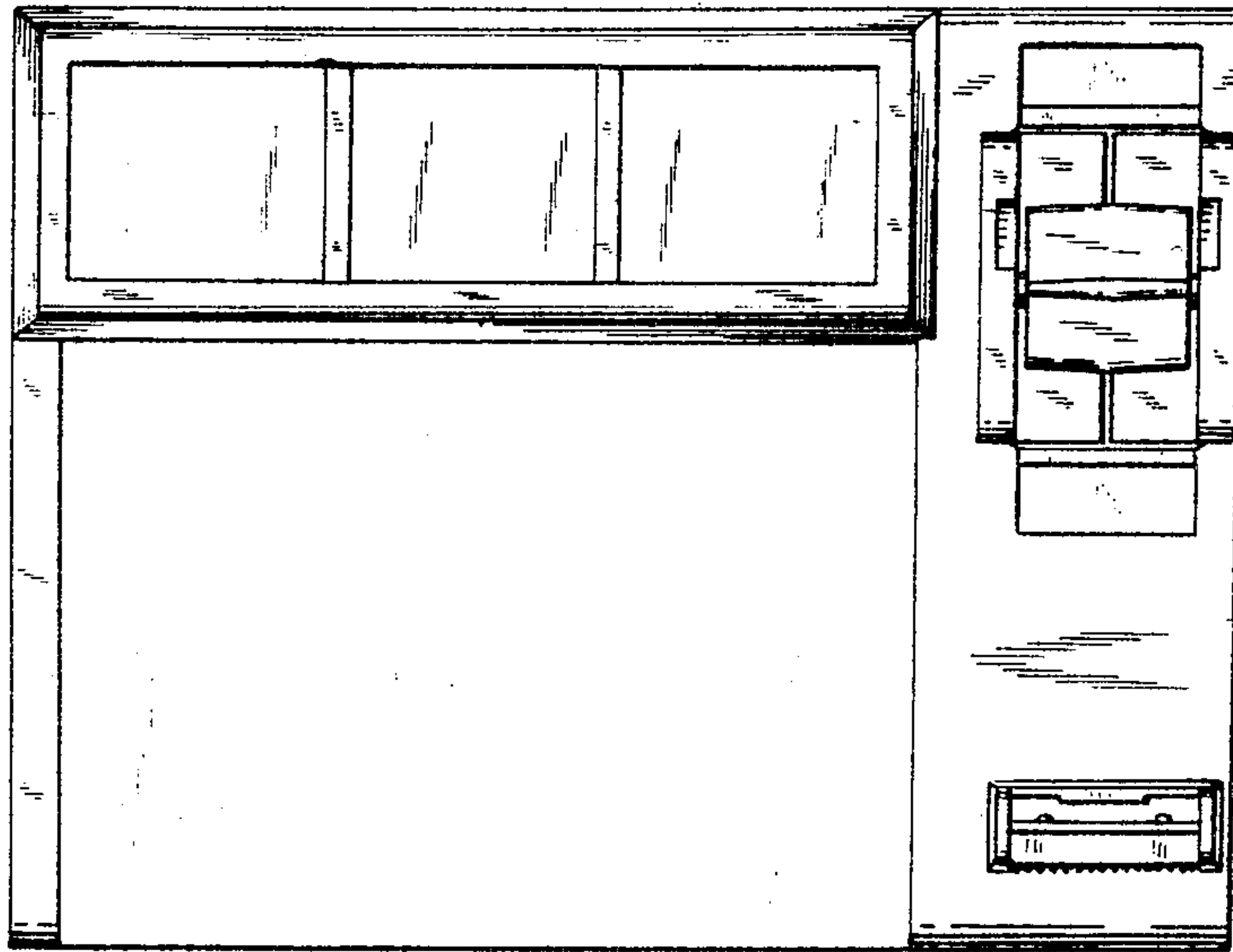


FIG. 7

