

[54] NOTE PAD HOLDER

[76] Inventor: **Lars-Gunnar Johansson**, 12, rue Leconte de Lisle, F-75016 Paris, France

[**] Term: **14 Years**

[21] Appl. No.: **550,483**

[22] Filed: **Nov. 9, 1983**

[30] **Foreign Application Priority Data**

May 10, 1983 [SE] Sweden 83-1330
[52] U.S. Cl. **D19/78; D19/91**
[58] Field of Search D19/75, 77, 78, 84, D19/86, 92, 20-23; 201/69.9

[56] **References Cited**

U.S. PATENT DOCUMENTS

D. 176,366 12/1955 McFadyen D19/92

D. 249,351 9/1978 Matters D19/92
D. 266,139 1/1973 Kimura D19/78
D. 270,740 9/1983 Pearson D19/92
4,066,171 1/1978 Fowlie D19/78

Primary Examiner—George P. Word
Attorney, Agent, or Firm—Merchant, Gould, Smith, Edell, Welter & Schmidt

[57] **CLAIM**

The ornamental design for a note pad holder, substantially as shown.

DESCRIPTION

FIG. 1 is a left front perspective view of a note pad holder showing my new design;
FIG. 2 is a right front perspective view thereof;
FIG. 3 is a bottom rear perspective view from the right side of FIG. 1; and
FIG. 4 is a bottom rear perspective view from the left side of FIG. 1.

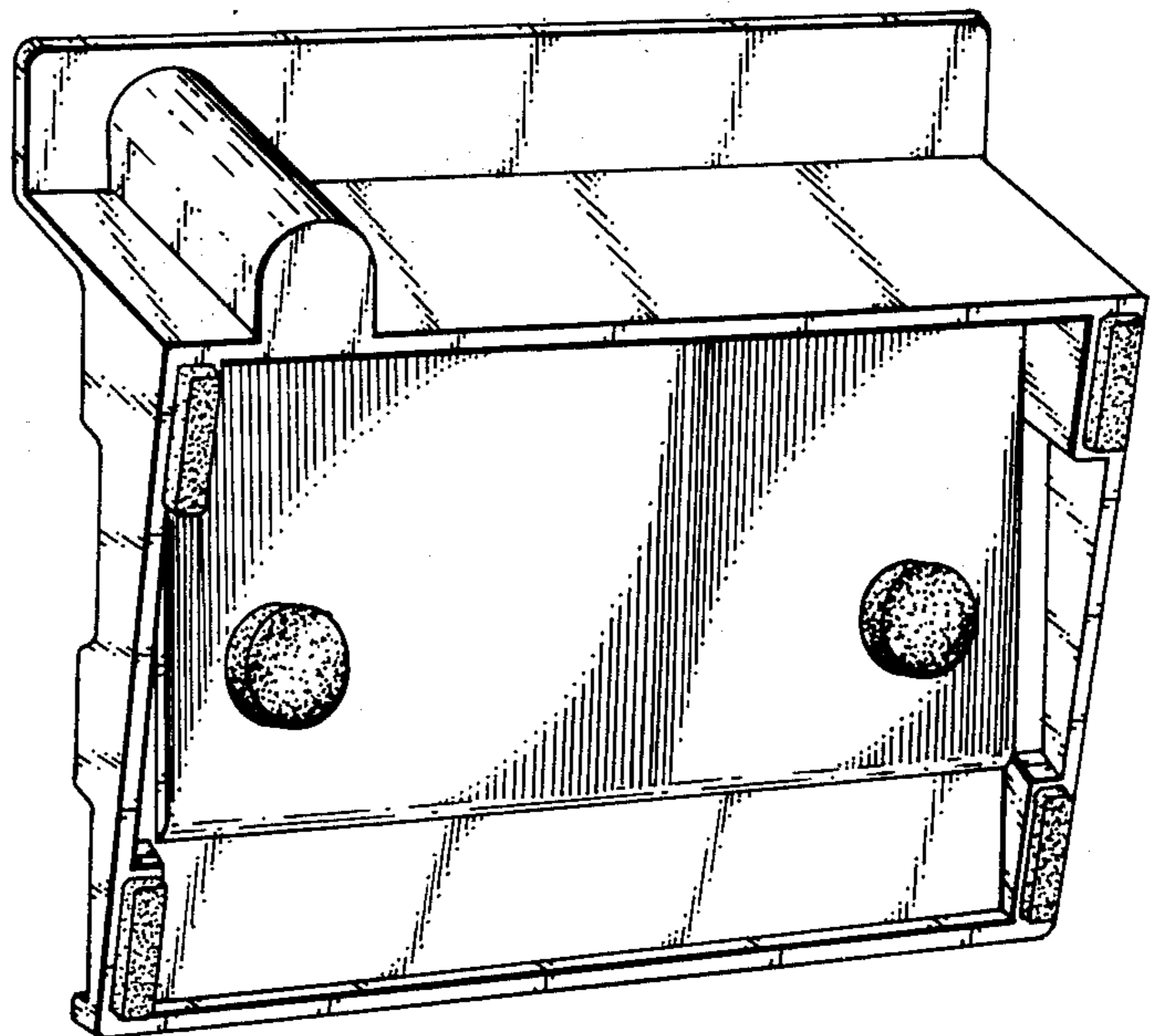
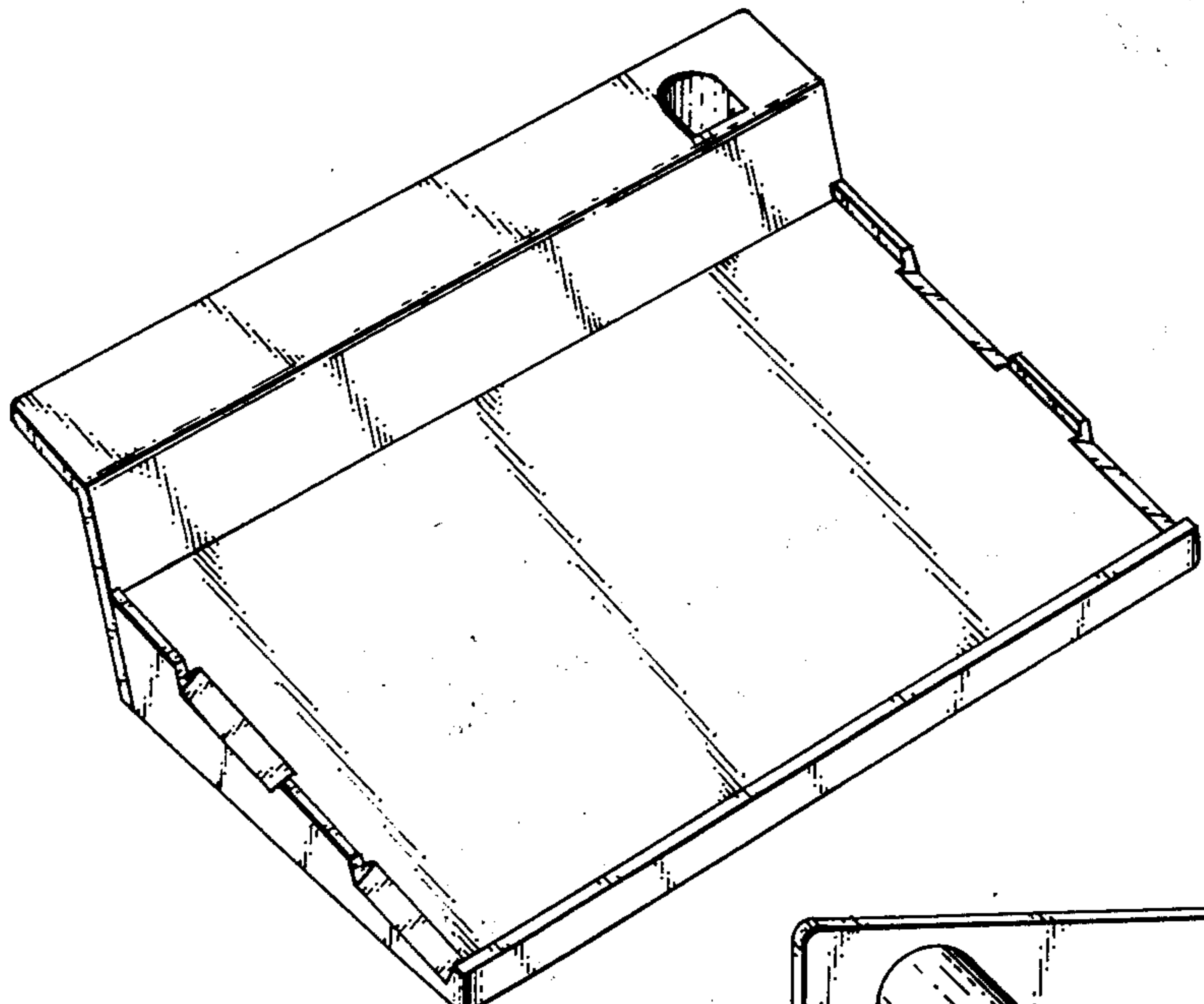


FIG. 1

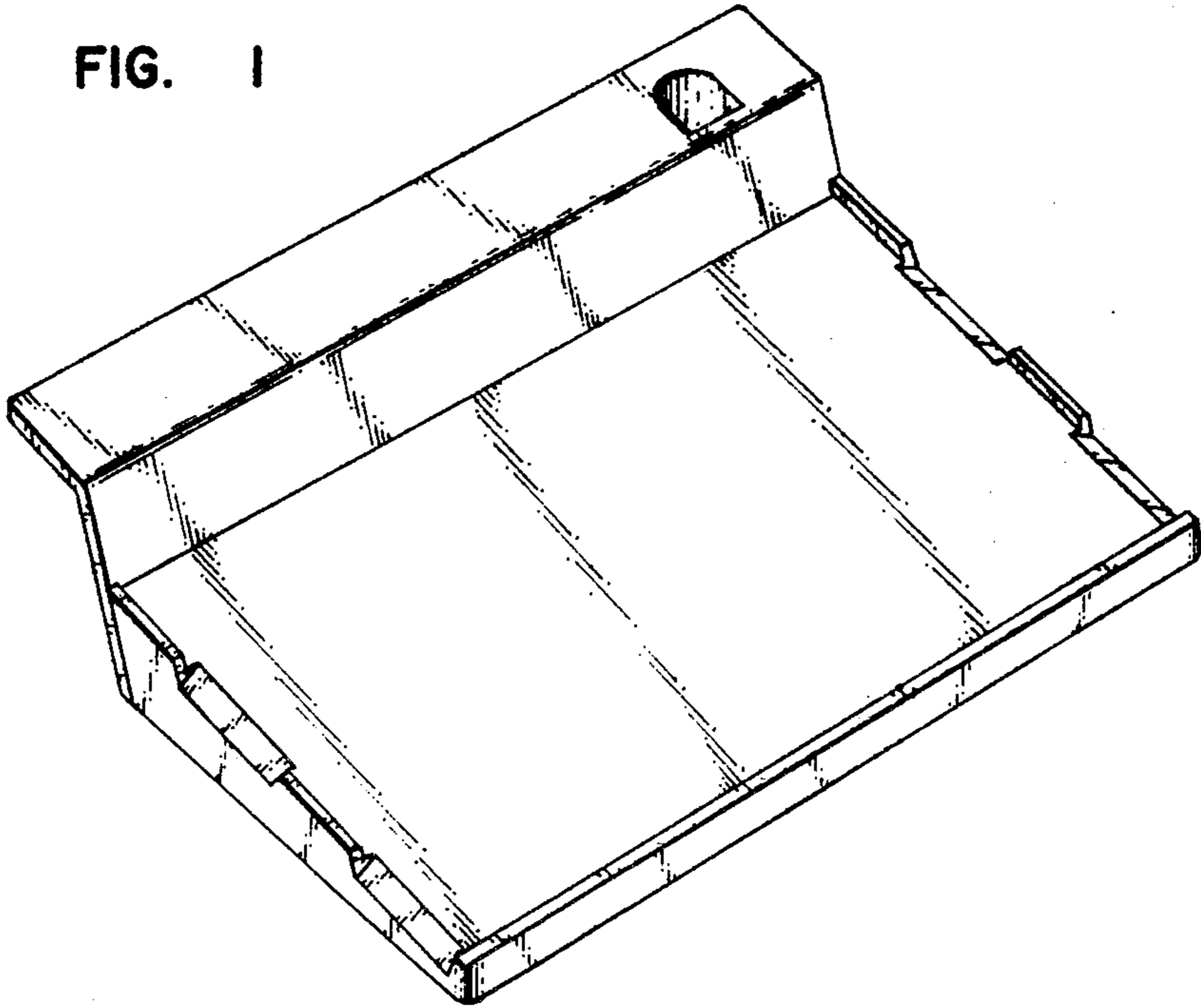


FIG. 2

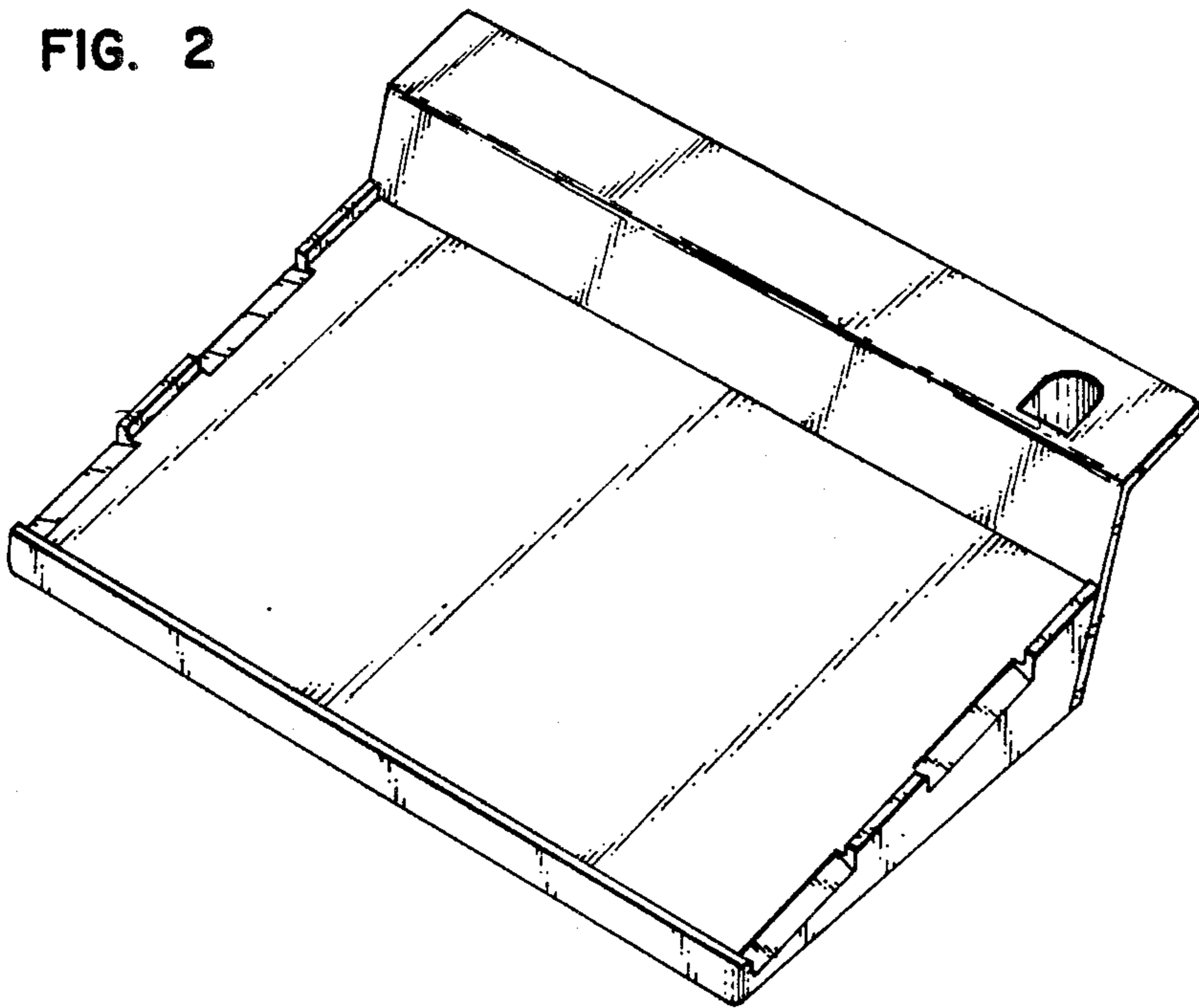


FIG. 3

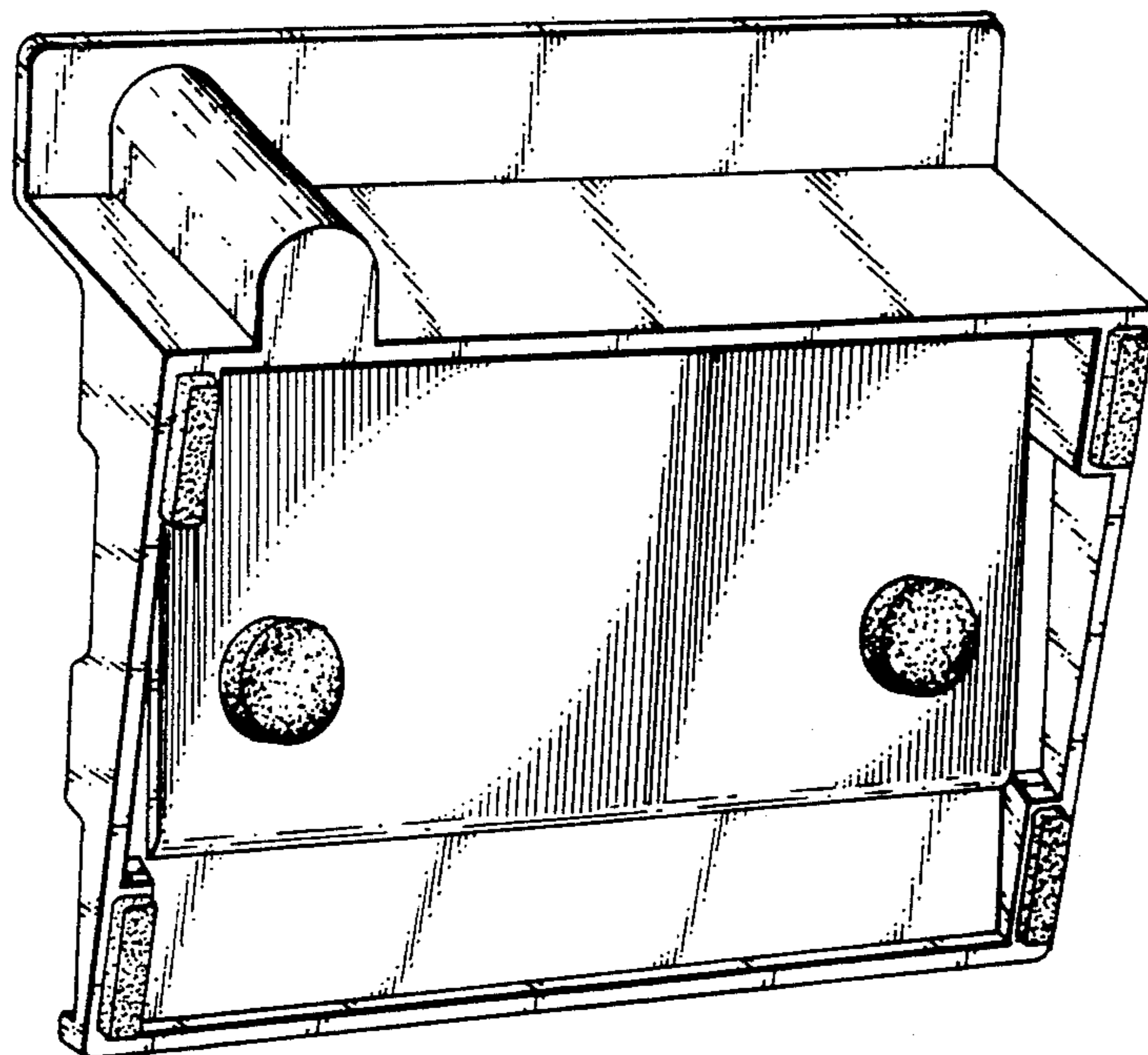


FIG. 4

