

[54] FUNDUS CAMERA

[75] Inventors: Kennosuke Cyujou; Hitoshi Takaono, both of Tokyo; Tsuguo Nanjou, Toyohashi, all of Japan

[73] Assignee: Kowa Company, Ltd., Japan

[\*\*] Term: 14 Years

[21] Appl. No.: 641,605

[22] Filed: Aug. 17, 1984

[30] Foreign Application Priority Data

Feb. 17, 1984 [JP] Japan ..... 59-5323

[52] U.S. Cl. .... D16/2

[58] Field of Search ..... D16/2; 351/206, 207, 351/208; 354/62

[56] References Cited

U.S. PATENT DOCUMENTS

- D. 185,471 6/1959 Taylor ..... D16/2
- 3,598,478 8/1971 Townsley ..... 351/206
- 3,762,803 10/1973 Papritz ..... 351/206
- 3,944,342 3/1976 Martinez ..... 351/206

- 4,235,529 11/1980 Kawase ..... 351/206
- 4,235,540 11/1980 Hanamura ..... 354/62
- 4,357,079 11/1982 Karasawa ..... 354/62 X
- 4,394,074 7/1983 McMahon ..... 354/62 X
- 4,504,129 3/1985 Van Iderstine ..... 351/206
- 4,607,922 8/1986 Humphrey ..... 354/62 X

OTHER PUBLICATIONS

*American Journal of Ophthalmology*-5/71, p. 57, Retinal Camera at center.

Primary Examiner—Nelson C. Holtje  
Attorney, Agent, or Firm—Ralph R. Rath

[57] CLAIM

The ornamental design for a fundus camera, as shown and described.

DESCRIPTION

FIG. 1 is a front elevational view of a fundus camera showing our new design;  
 FIG. 2 is a rear elevational view thereof;  
 FIG. 3 is a left side elevational view thereof;  
 FIG. 4 is a right side elevational view thereof;  
 FIG. 5 is a top plan view thereof;  
 FIG. 6 is a bottom plan view thereof.

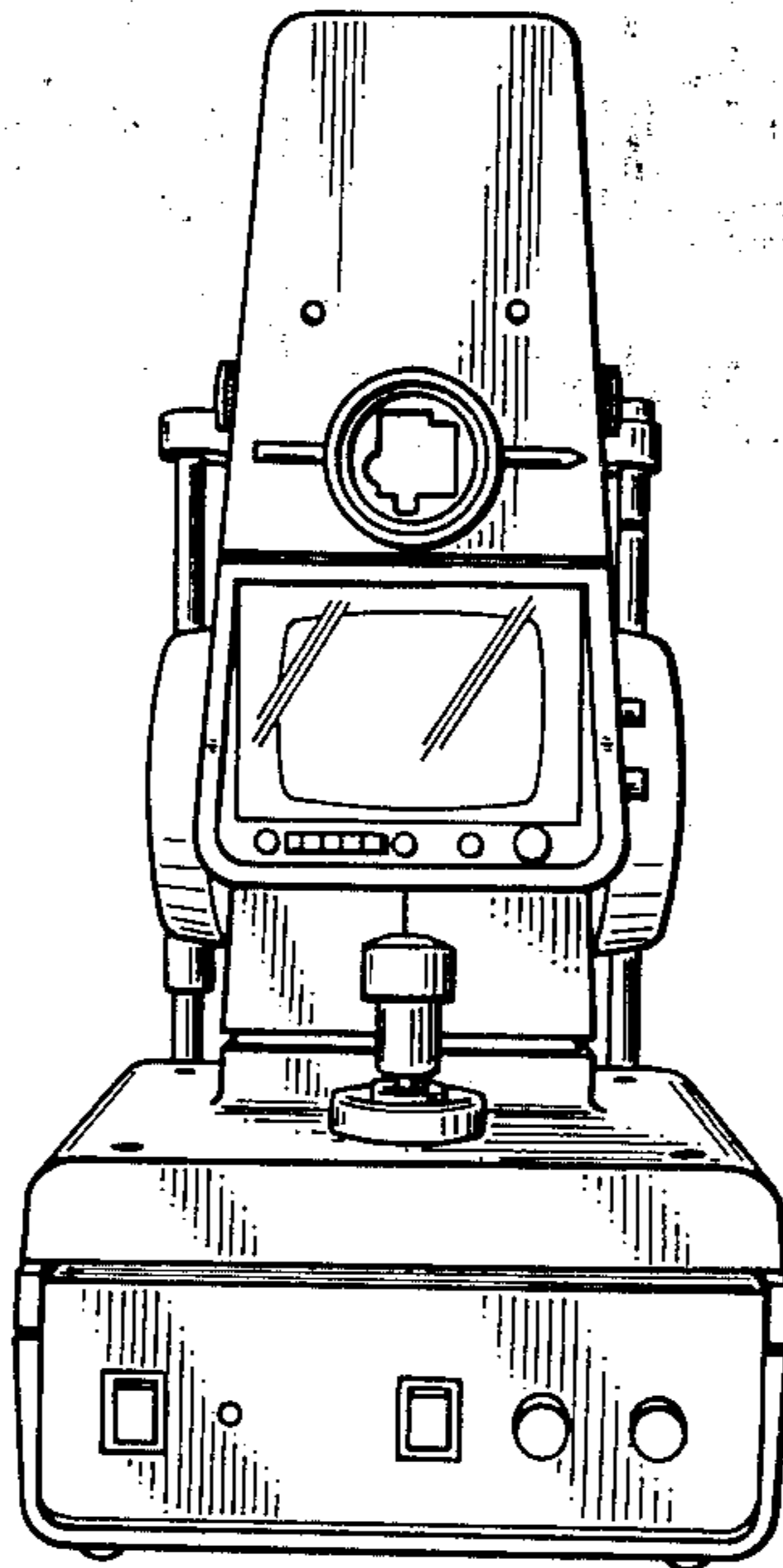


FIG. 2

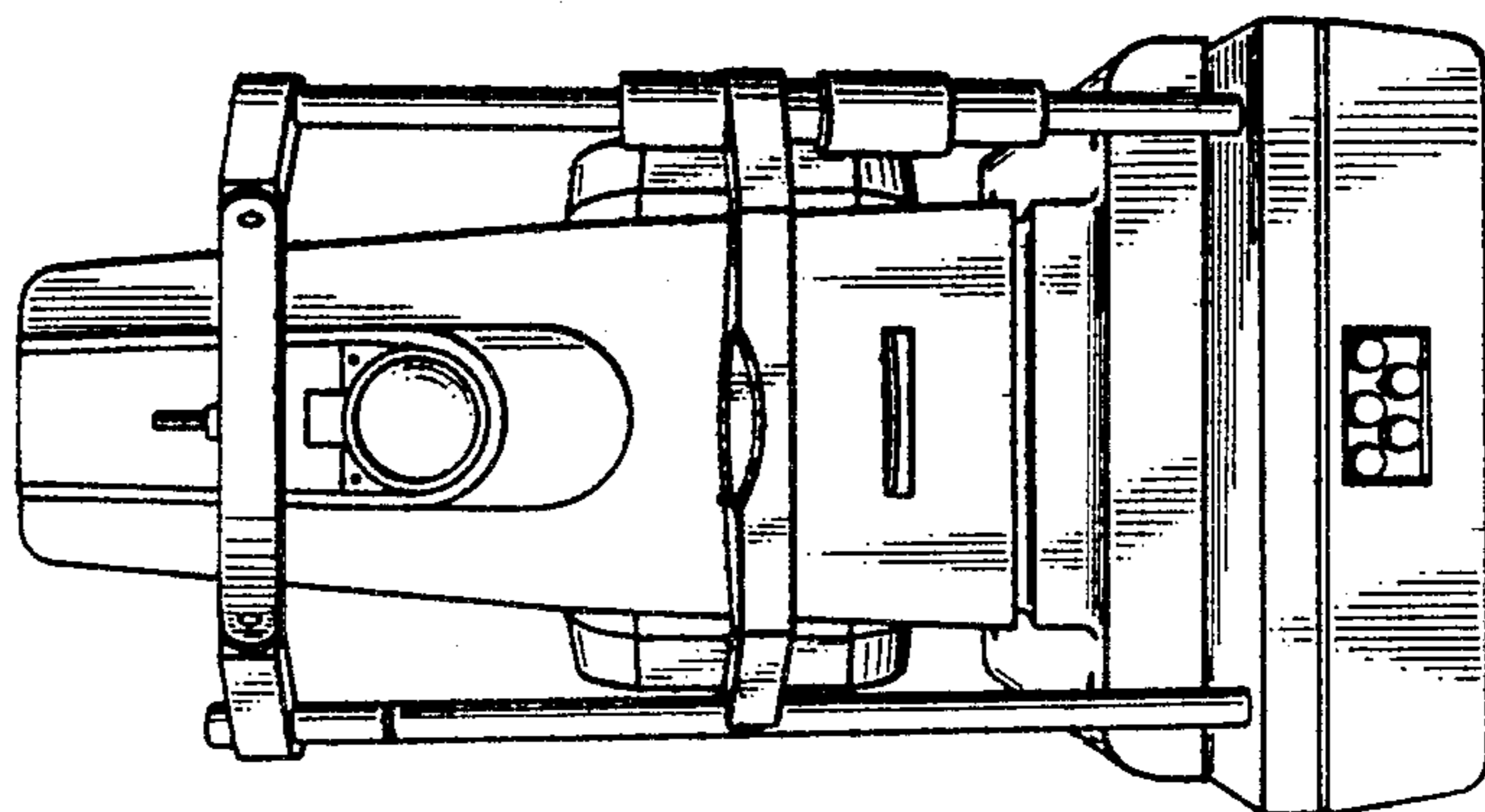


FIG. 1

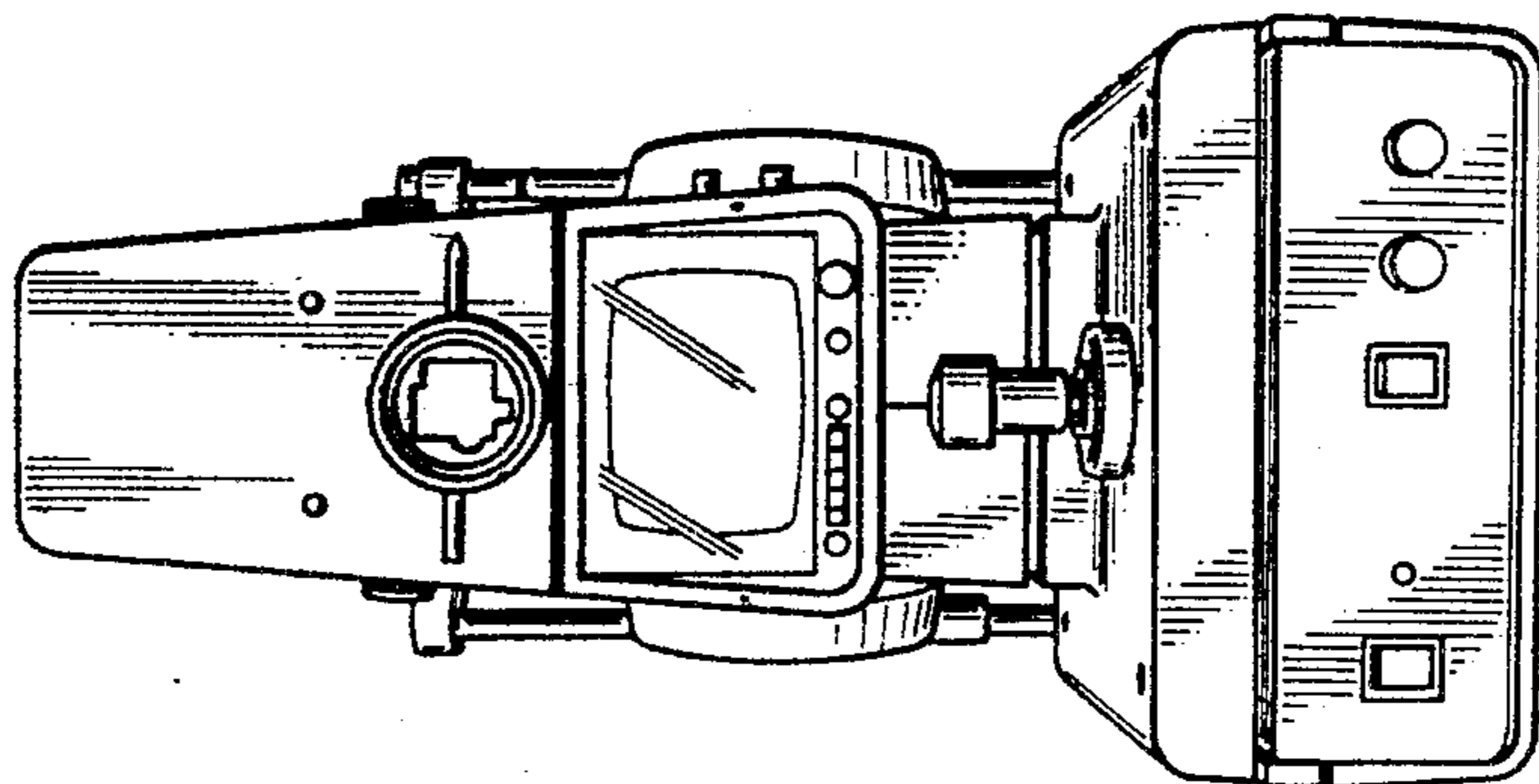


FIG. 4

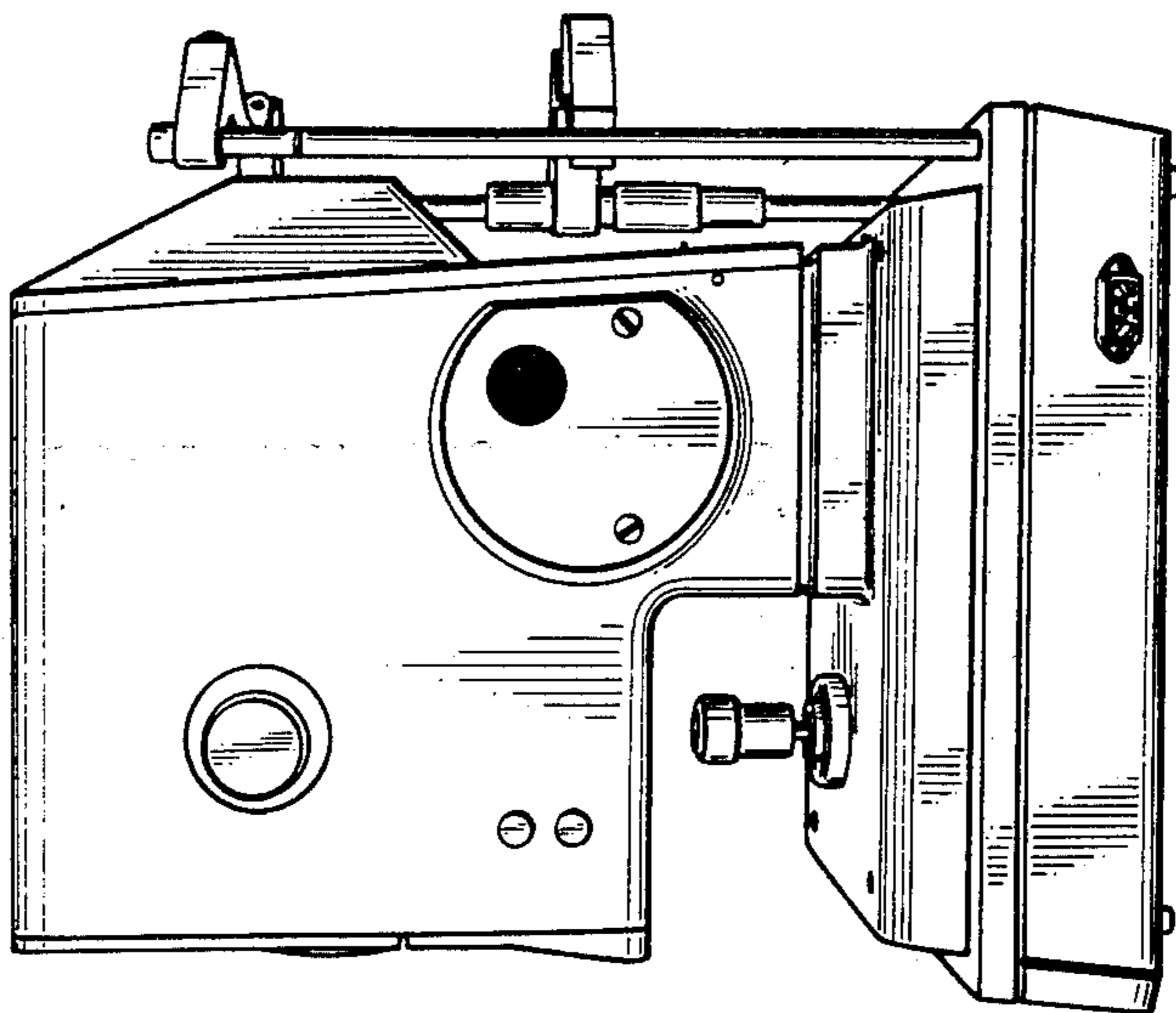


FIG. 3

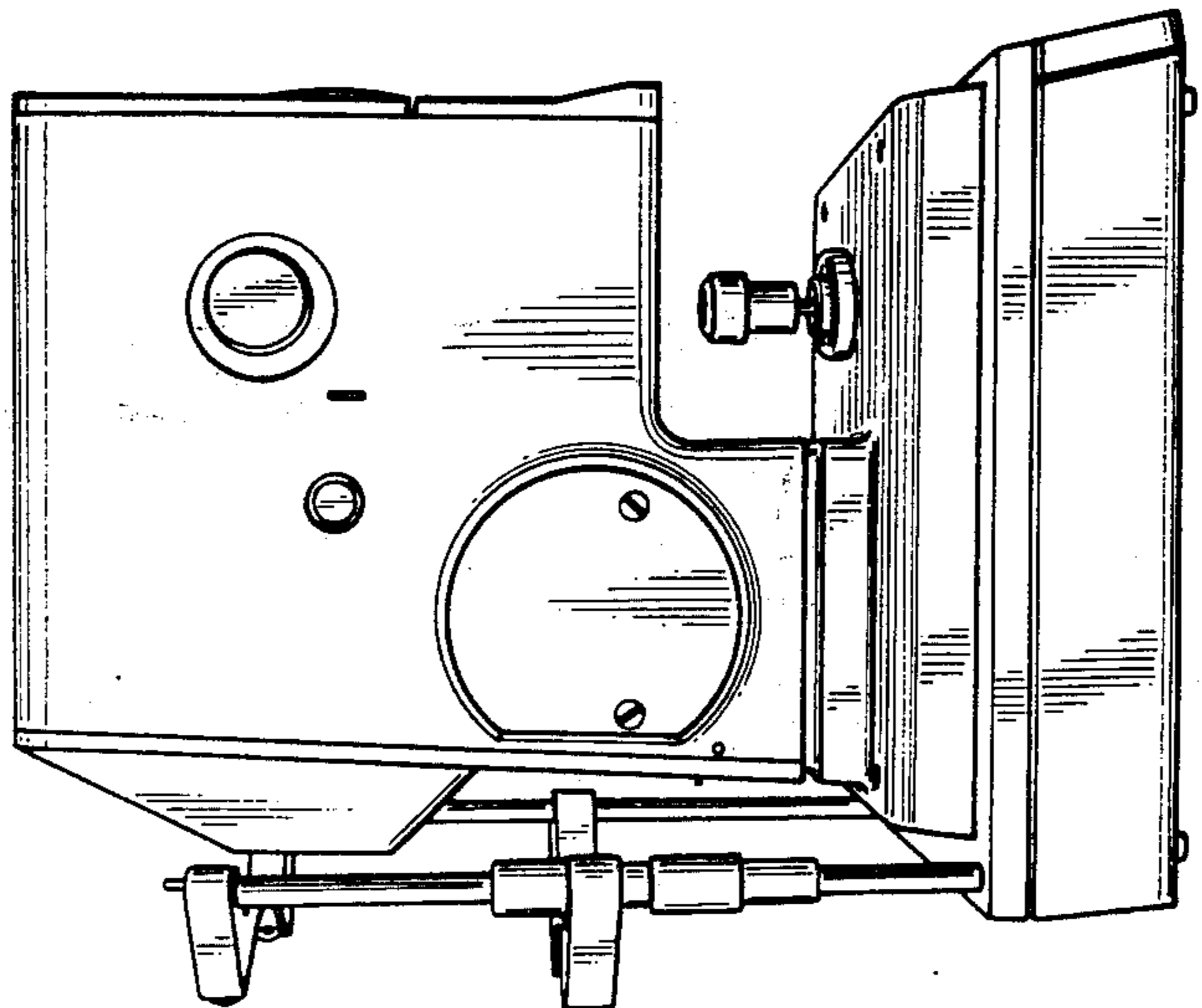


FIG. 6

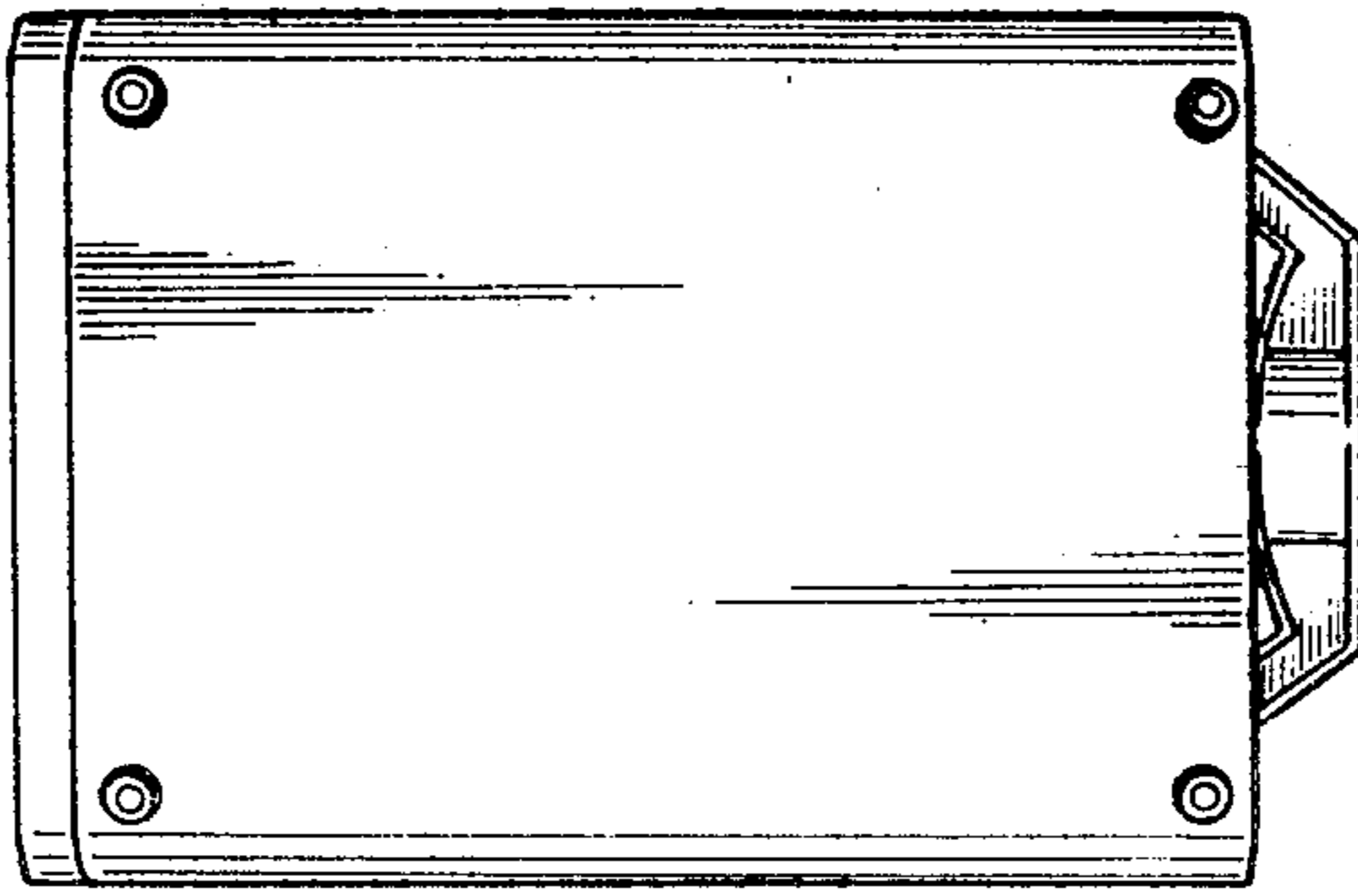


FIG. 5

