

[54] SEWING MACHINE OR SIMILAR ARTICLE

[75] Inventor: Jeanne K. Allen, New York, N.Y.

[73] Assignee: The Singer Company, Stamford, Conn.

[**] Term: 14 Years

[21] Appl. No.: 514,723

[22] Filed: Jul. 18, 1983

[52] U.S. Cl. D15/69

[58] Field of Search D15/68-70; 112/63, 258-261

[56] References Cited

U.S. PATENT DOCUMENTS

D. 214,853	8/1969	Rosenfeld	D15/69
D. 241,076	8/1976	Genaro	D15/69
D. 253,705	12/1979	Felix et al.	D15/69
D. 254,135	2/1980	Felix et al.	D15/69
D. 266,519	10/1982	Genaro et al.	D15/68
D. 274,910	7/1984	Szostak et al.	D15/69
D. 276,614	12/1984	La Police et al.	D15/69
4,434,736	3/1984	Szostak et al.	112/258

FOREIGN PATENT DOCUMENTS

489014	8/1978	Japan	.
54-5805	9/1980	Japan	.
54-6007	9/1980	Japan	.
355148	3/1981	Japan	.

OTHER PUBLICATIONS

Good Housekeeping, 4/1977, p. 11, Kenmore Sewing Machine.

Primary Examiner—Bernard Ansher

Assistant Examiner—Linda Titolo

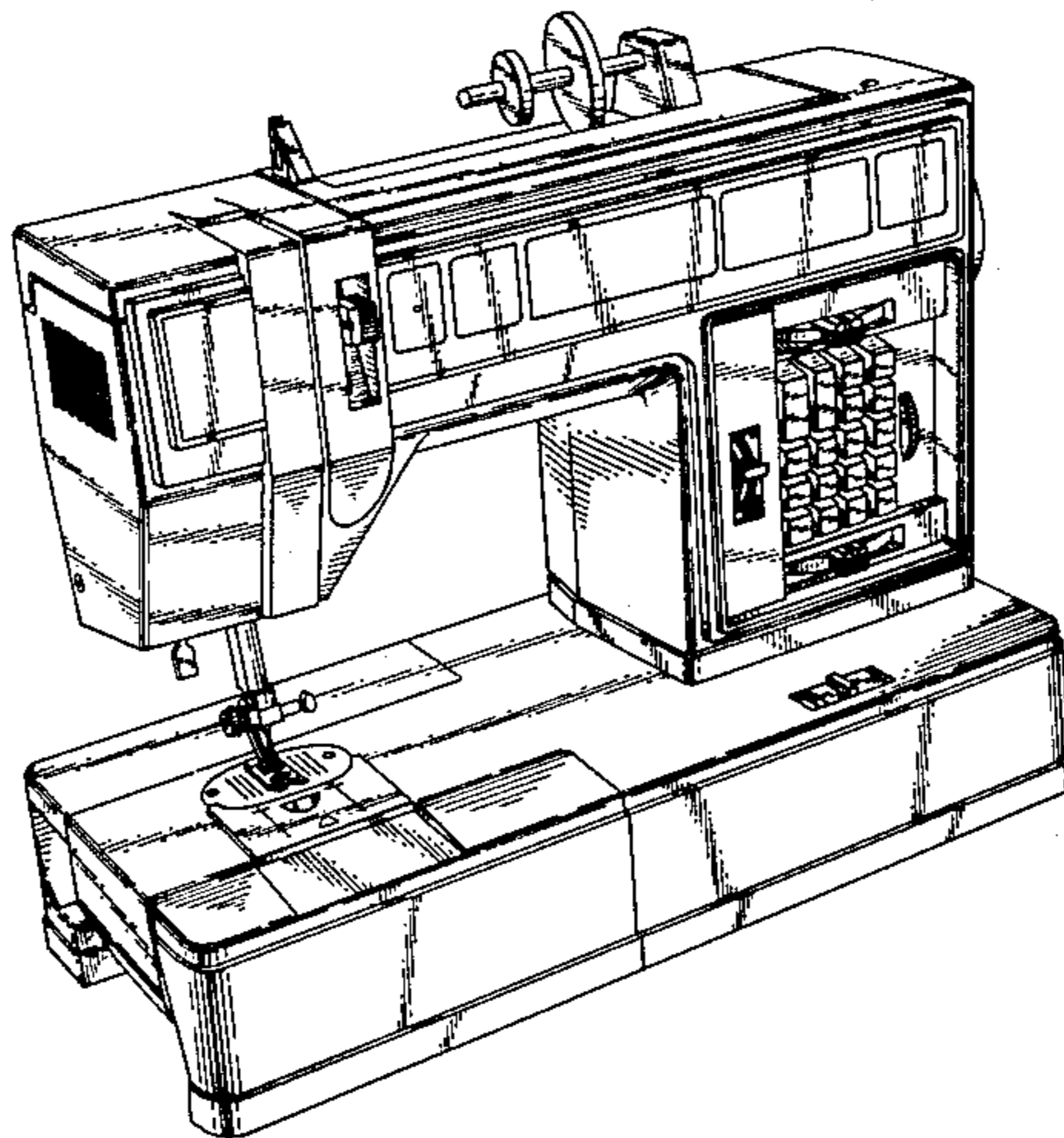
Attorney, Agent, or Firm—Robert E. Smith; David L. Davis; Edward L. Bell

[57] CLAIM

The ornamental design for a sewing machine or similar article, substantially as shown.

DESCRIPTION

FIG. 1 is a front perspective view of a sewing machine showing my new design;
 FIG. 2 is a front elevational view thereof;
 FIG. 3 is a rear elevational view thereof;
 FIG. 4 is a top plan view thereof;
 FIG. 5 is a bottom plan view thereof;
 FIG. 6 is a left side elevational view thereof; and
 FIG. 7 is a right side elevational view thereof.



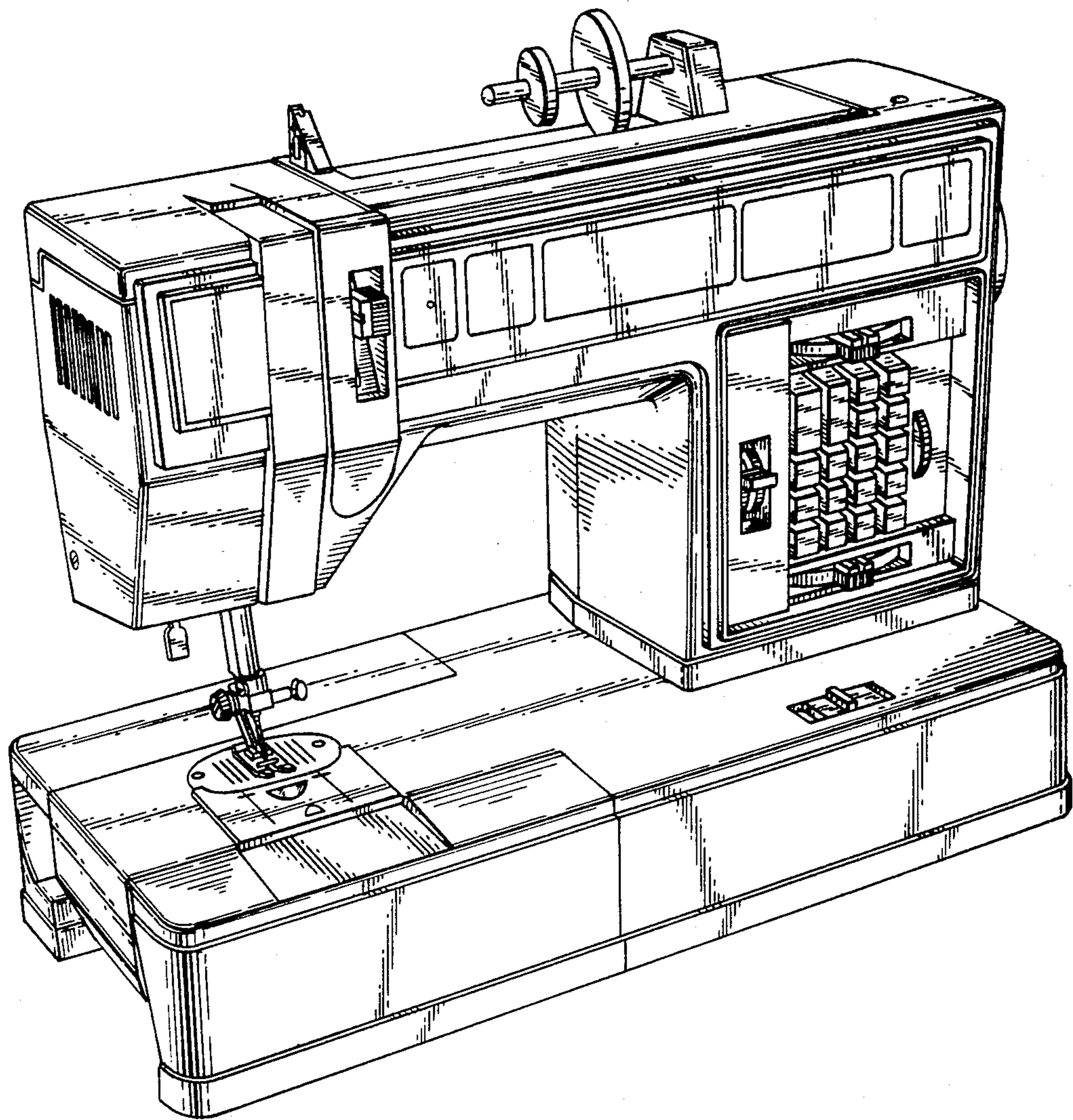


Fig. 1

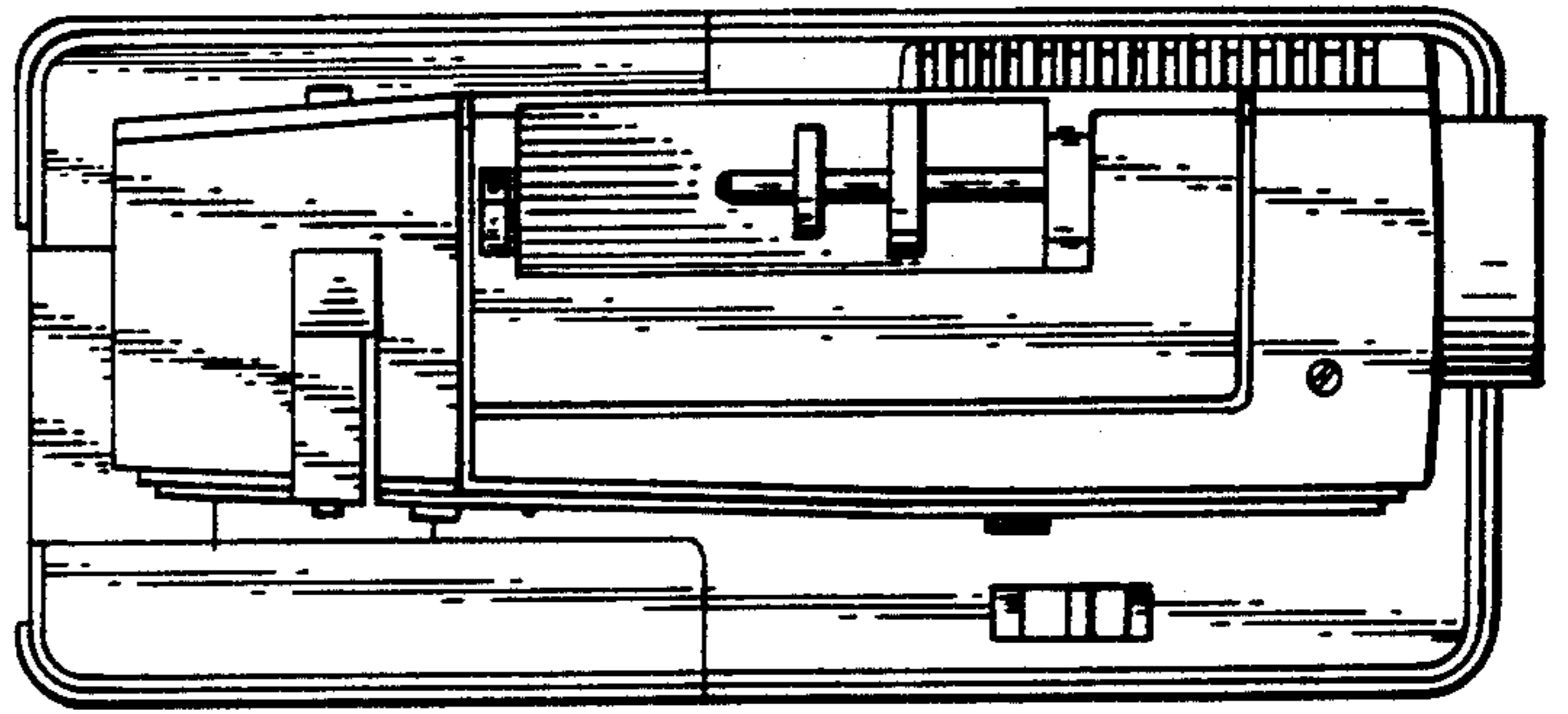


Fig. 4

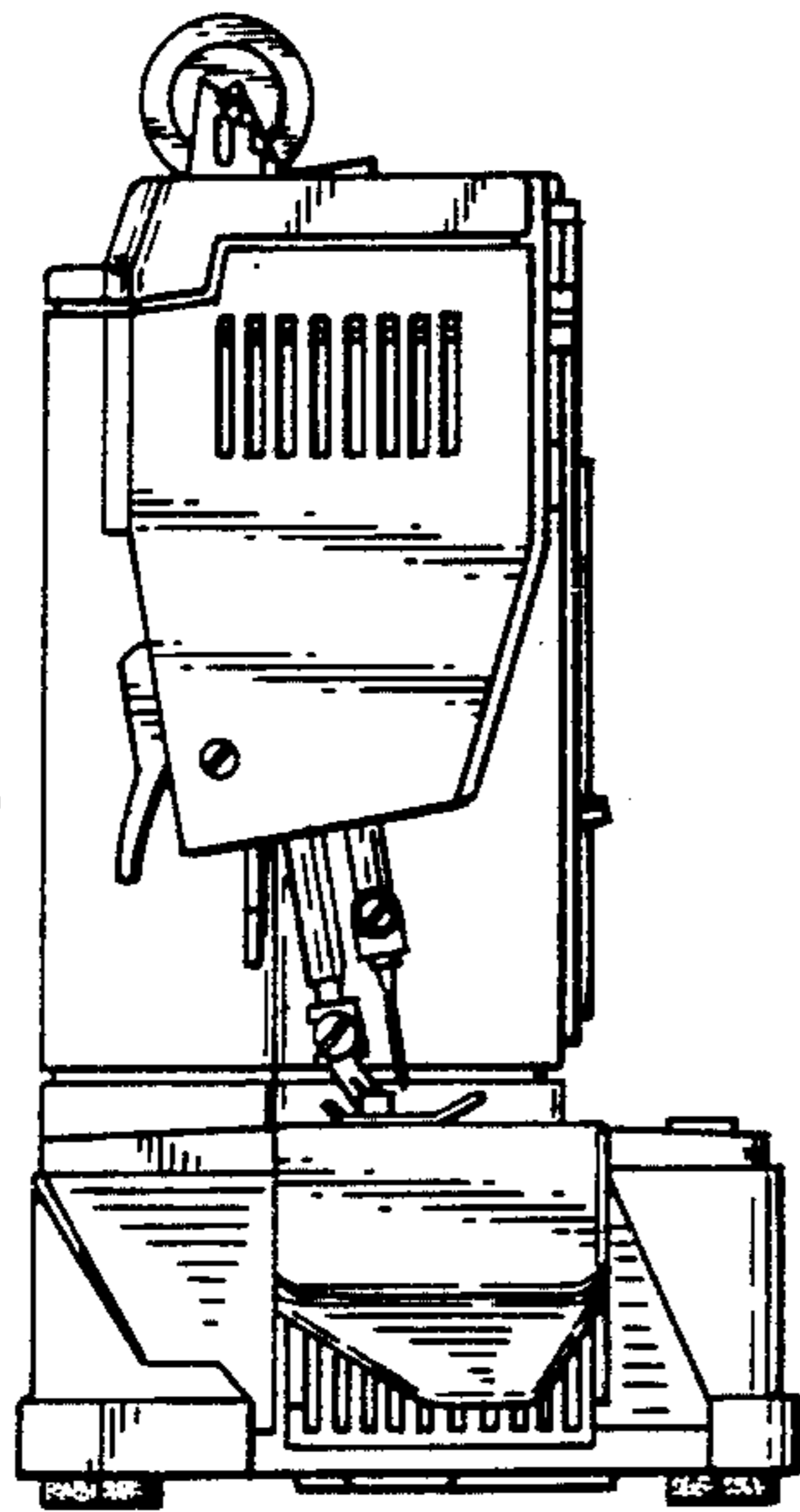


Fig. 6

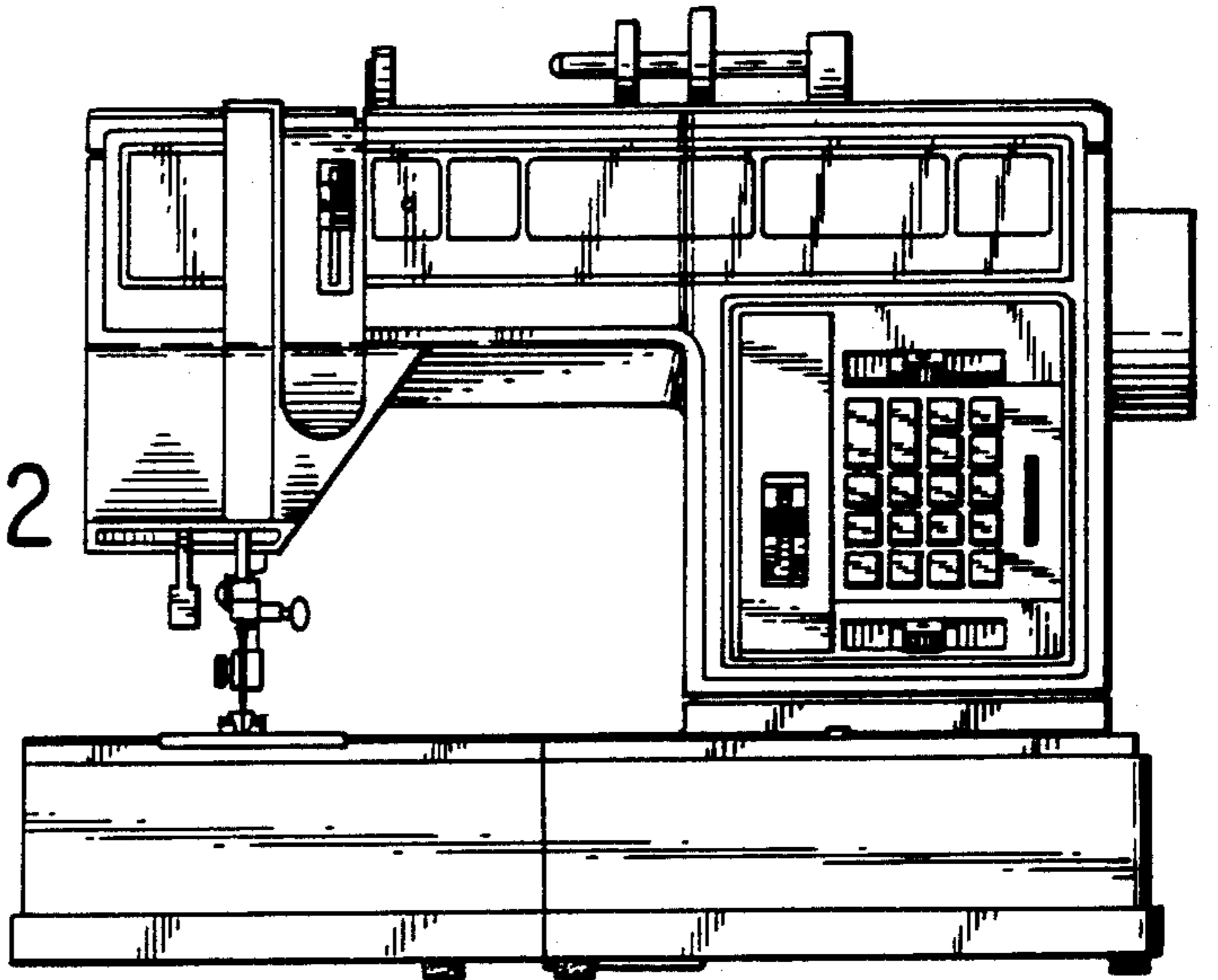


Fig. 2

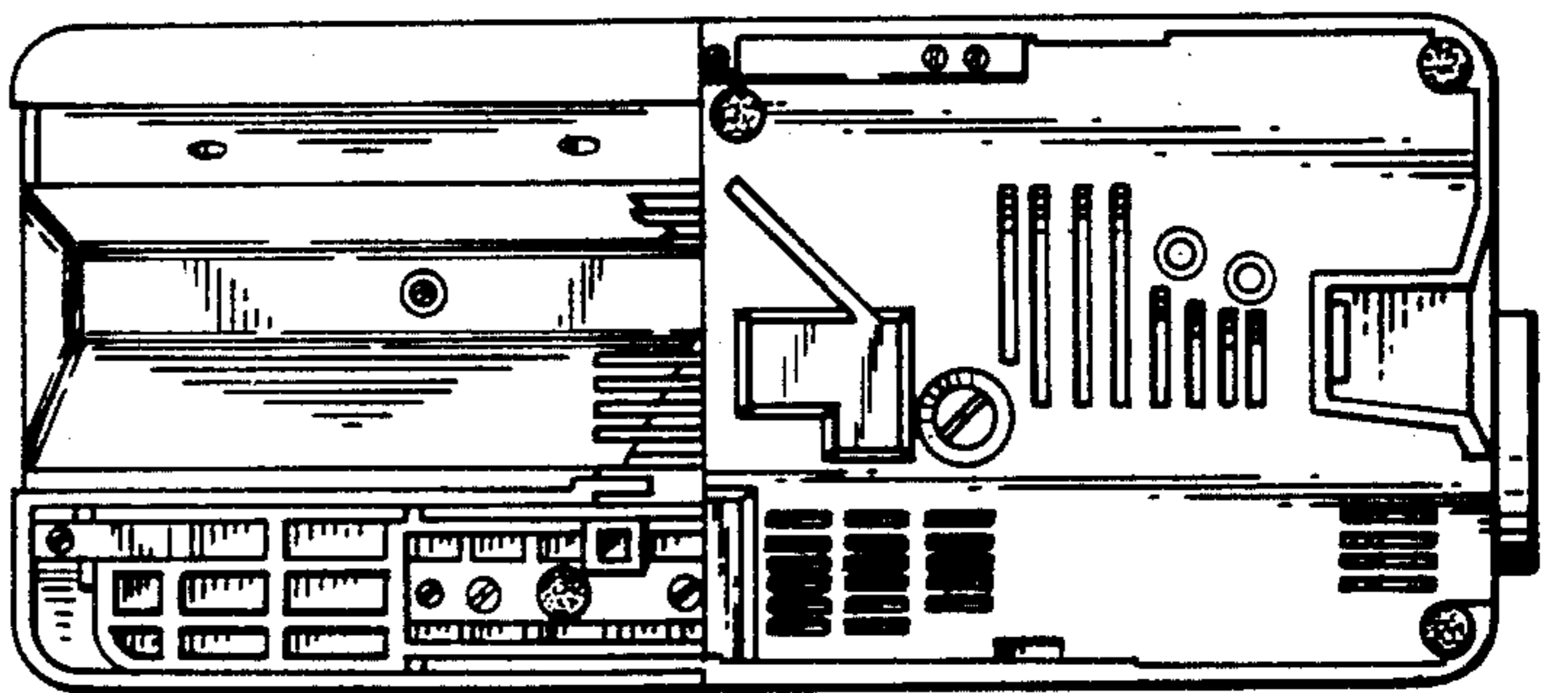


Fig. 5

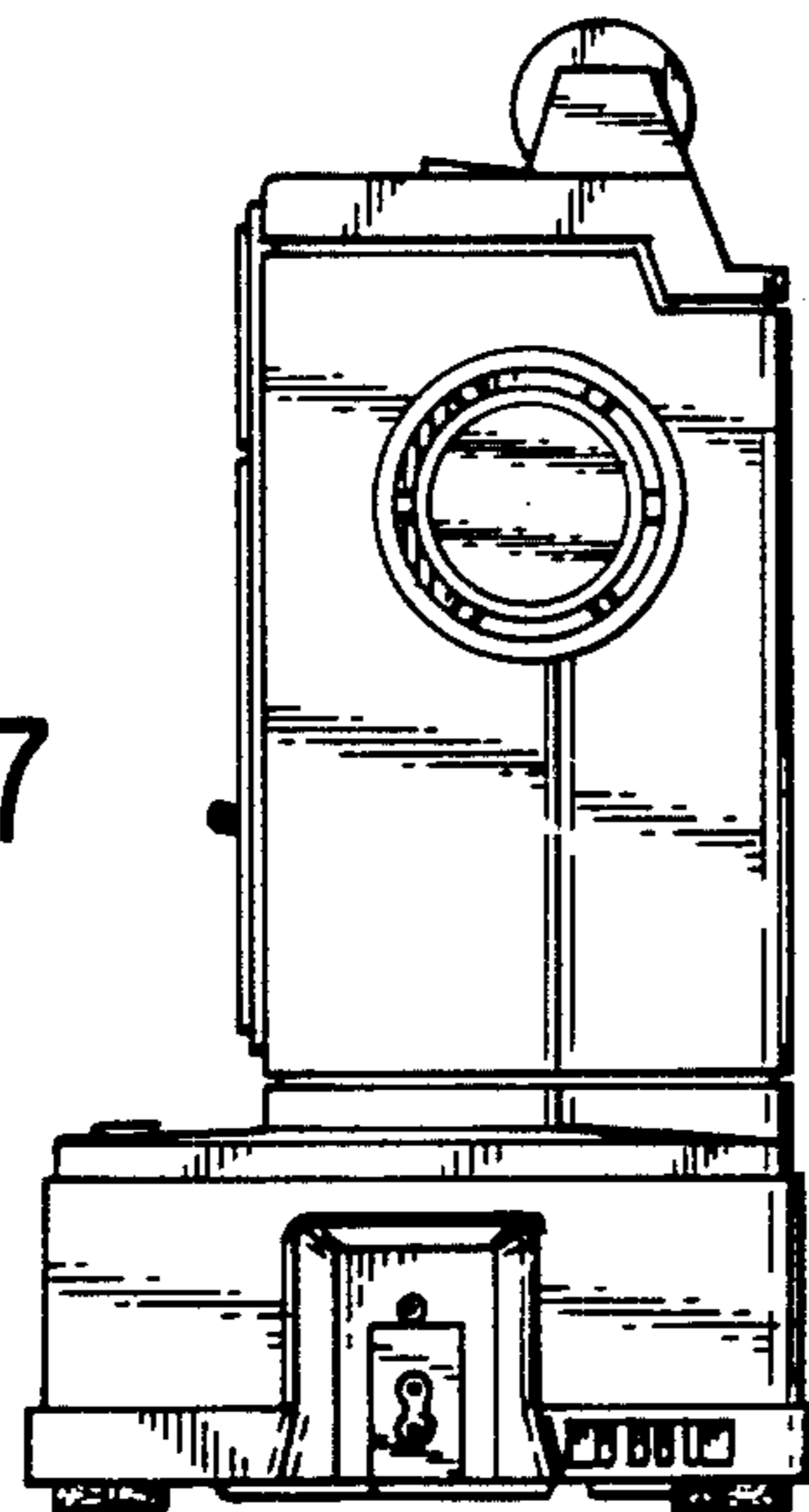


Fig. 7

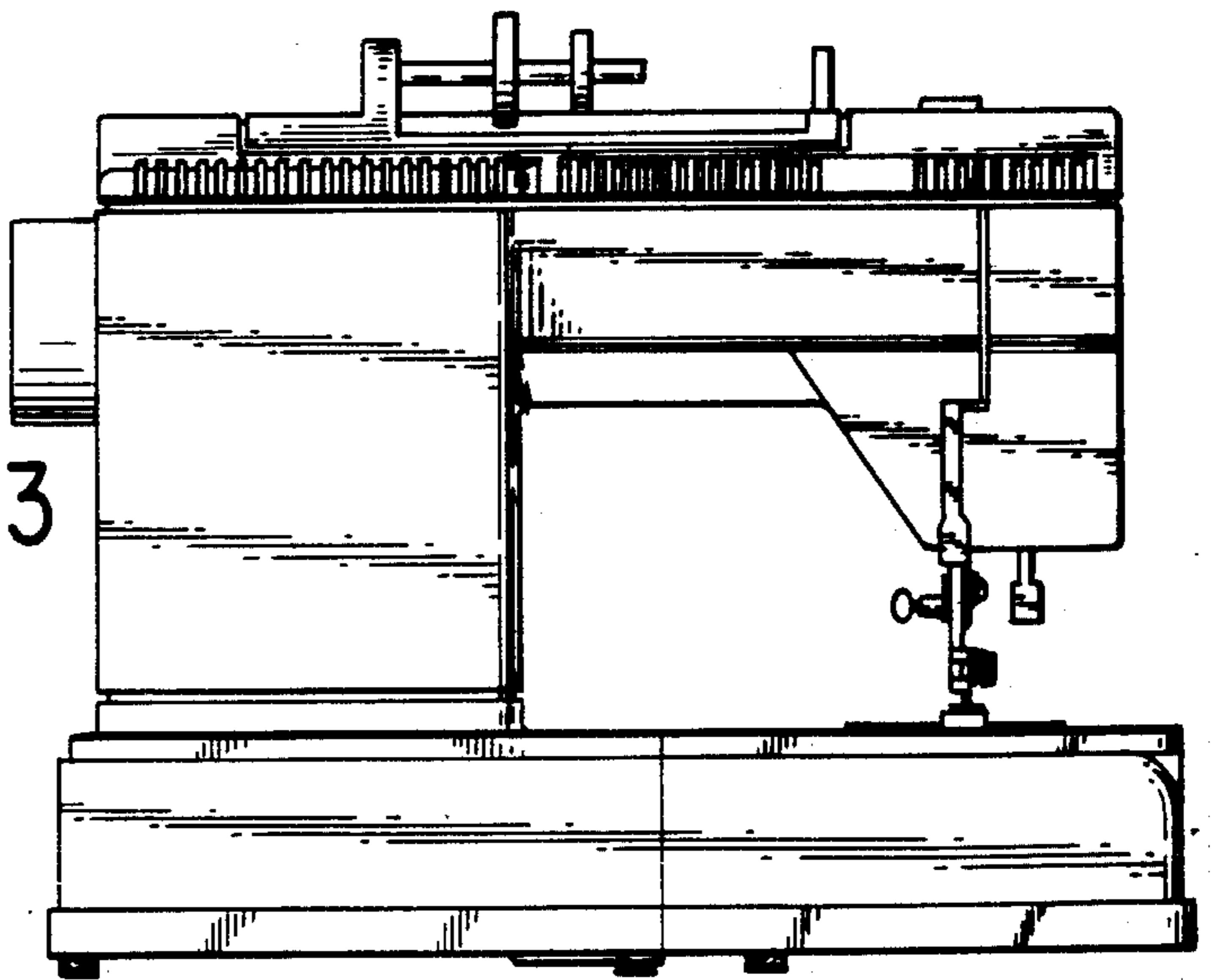


Fig. 3