

[54] CONCRETE EJECTOR

[75] Inventor: Hendrik K. Brass, Örebro, Sweden

[73] Assignee: Ekebro Aktiebolag, Orebro, Sweden

[\*\*] Term: 14 Years

[21] Appl. No.: 654,260

[22] Filed: Sep. 25, 1984

[52] U.S. Cl. .... D15/13

[58] Field of Search ..... D15/10, 19, 13; 425/60, 425/63, 64, 470, 471; 239/427.5, 428; 222/79

[56] References Cited

U.S. PATENT DOCUMENTS

- 2,837,772 6/1958 Deakin ..... 264/309
- 3,374,708 3/1968 Wall ..... 222/79

- 3,930,061 12/1975 Scharfenberger ..... 264/309
- 4,150,083 4/1979 Baehr ..... 264/309
- 4,214,674 7/1980 Jones et al. .... 222/79

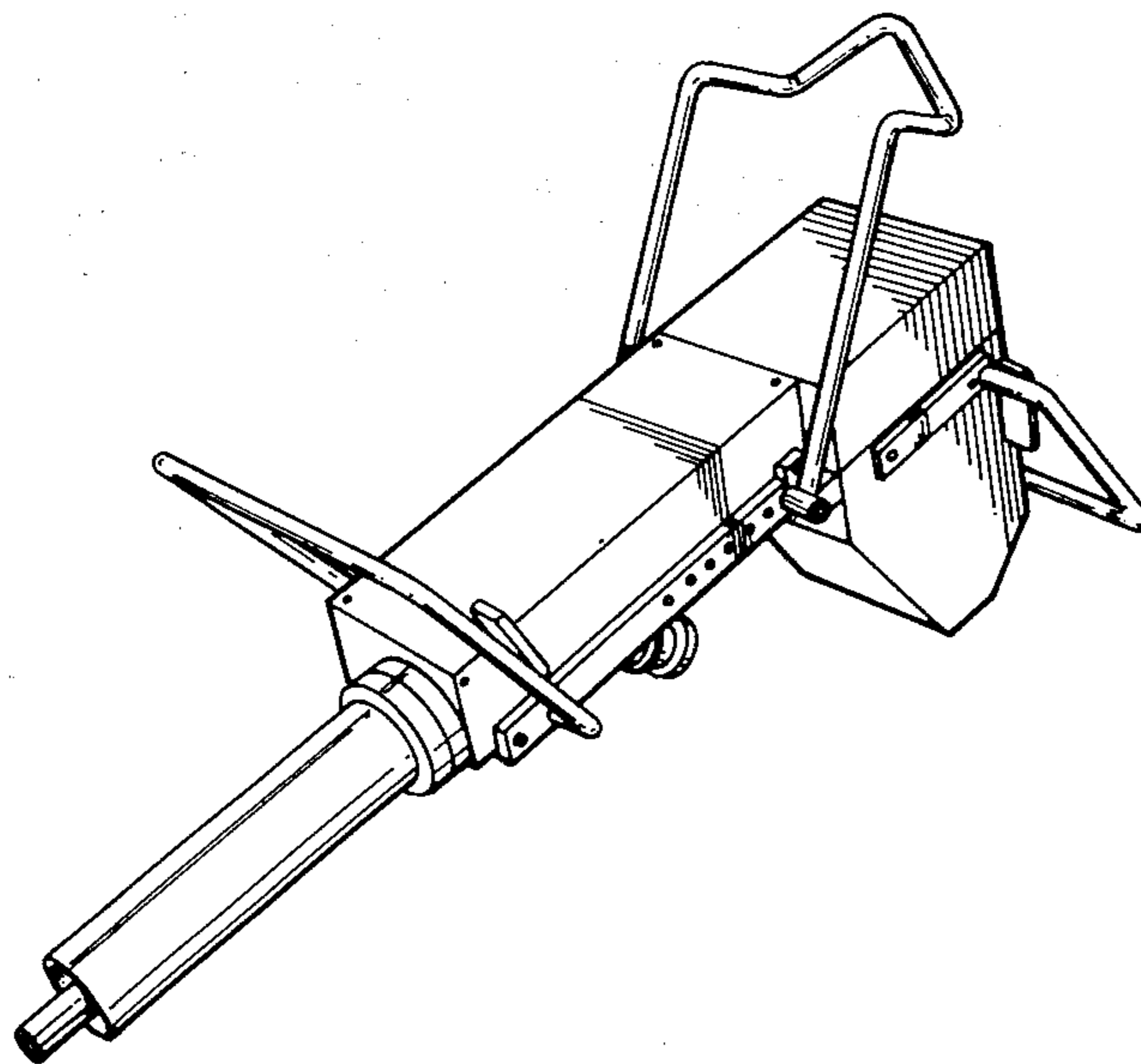
Primary Examiner—B. J. Bullock  
Attorney, Agent, or Firm—Young & Thompson

[57] CLAIM

The ornamental design for a concrete ejector, as shown and described.

DESCRIPTION

FIG. 1 is a top, front and side perspective view of a concrete ejector showing my new design;  
FIG. 2 is a top, rear and side perspective view thereof; and  
FIG. 3 is a bottom, front and opposite side perspective view thereof.



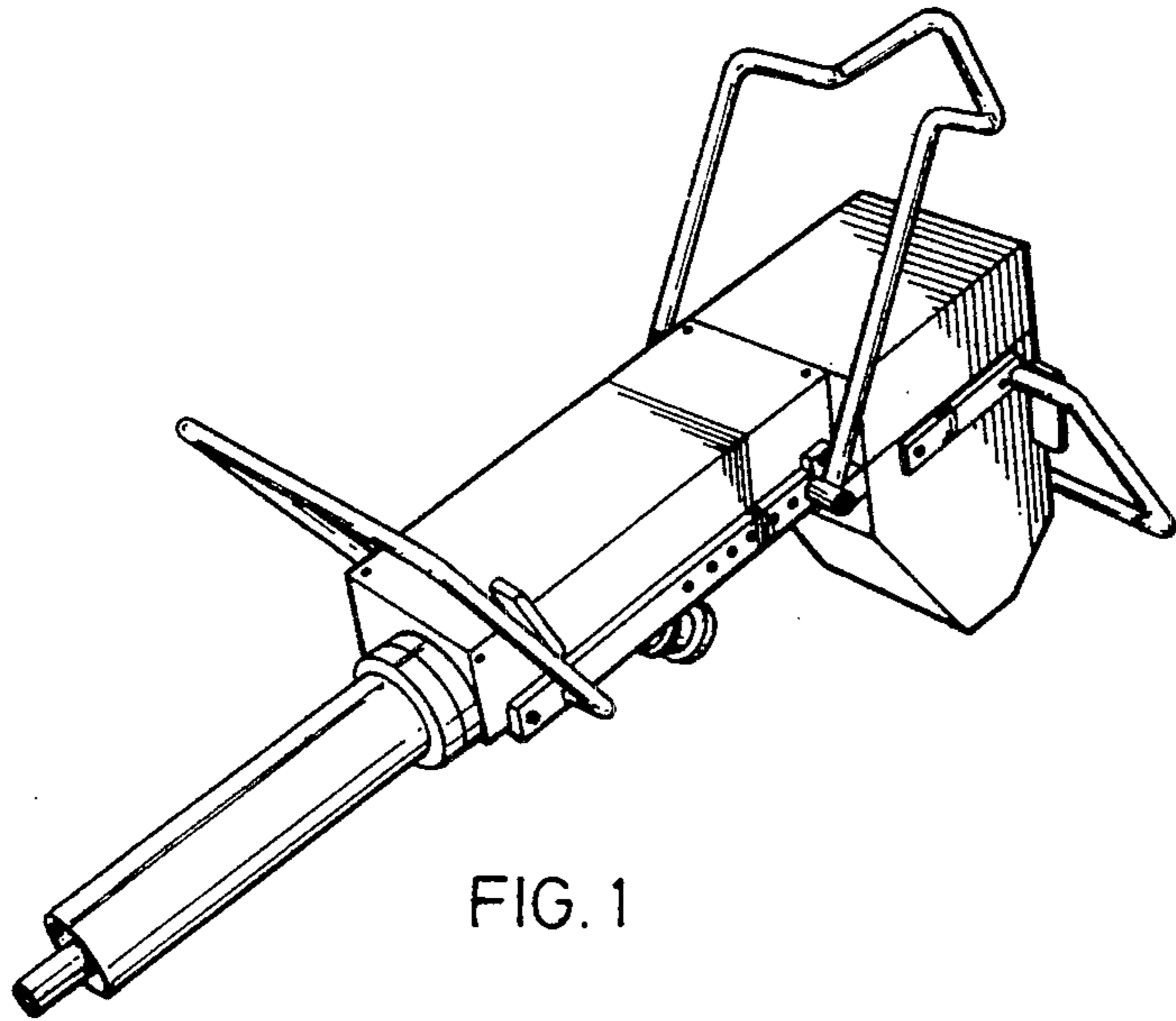


FIG. 1

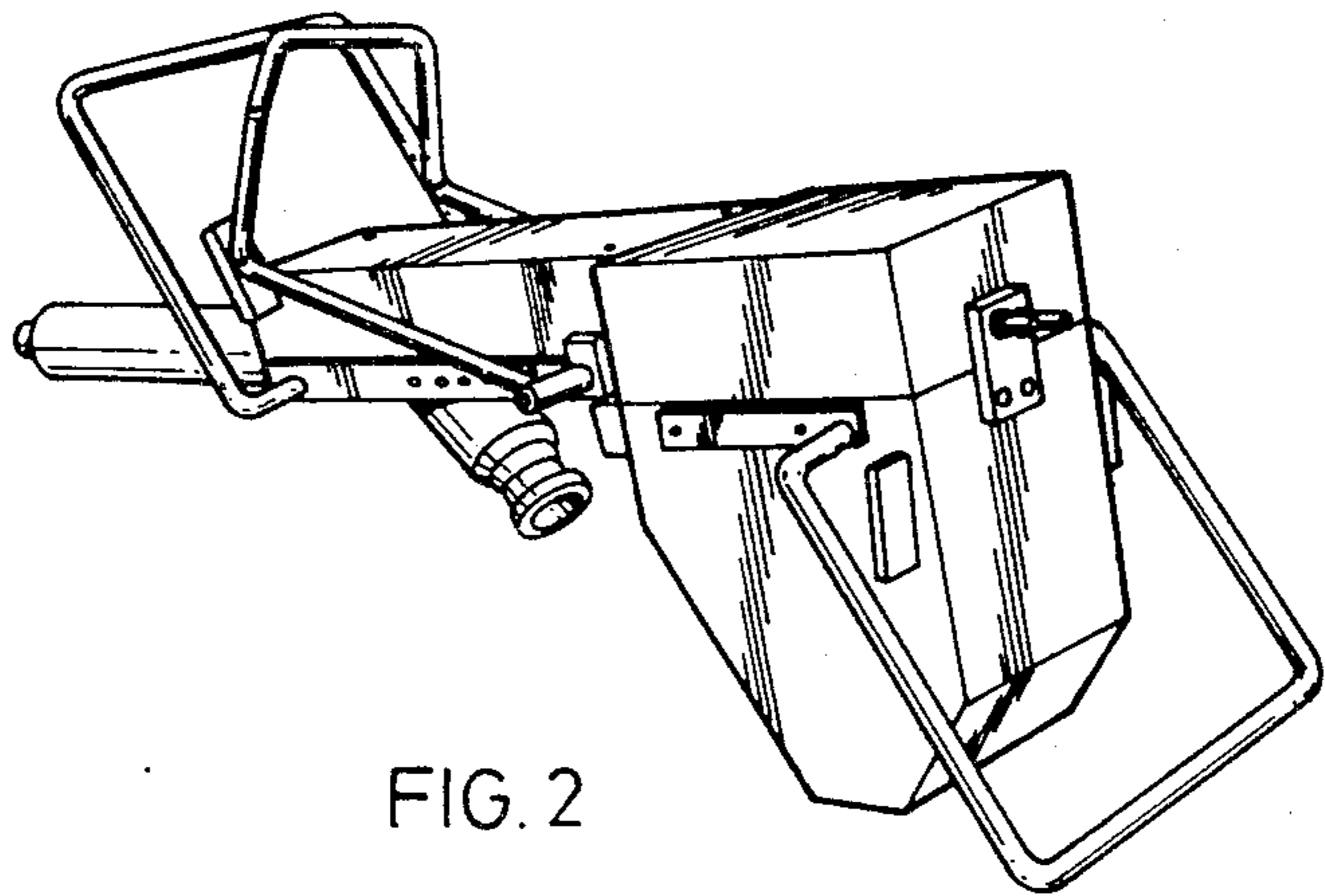


FIG. 2

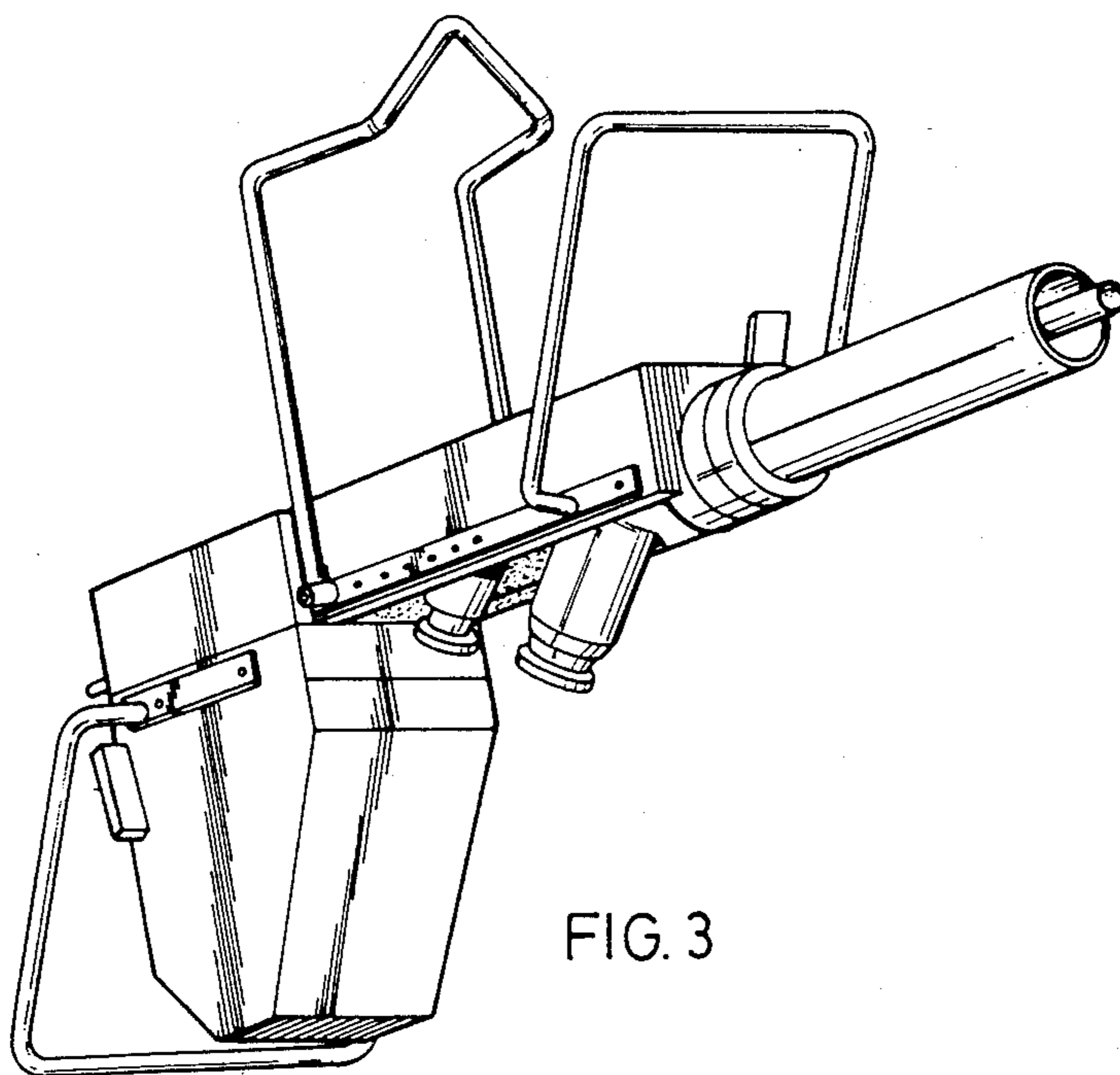


FIG. 3