

# United States Patent [19]

Kurokawa et al.

[11] Patent Number: **Des. 288,811**

[45] Date of Patent: **\*\* Mar. 17, 1987**

[54] VIDEO CAMERA

[75] Inventors: **Koya Kurokawa; Masami Takahashi,**  
both of Ehime, Japan

[73] Assignee: **Matsushita Electric Industrial Co.,**  
Ltd., Osaka, Japan

[\*\*] Term: **14 Years**

[21] Appl. No.: **622,612**

[22] Filed: **Jun. 20, 1984**

[30] Foreign Application Priority Data

Dec. 20, 1983 [JP] Japan ..... 58-54815

[52] U.S. Cl. .... **D14/78; D14/5**

[58] Field of Search ..... **D14/1, 2, 6, 77, 78,**  
**D14/84, 99; 352/242, 243; 354/293; 358/906**

[56] References Cited

### U.S. PATENT DOCUMENTS

D. 223,410 4/1972 Larson ..... D14/78  
D. 261,140 10/1981 Ikeda ..... D14/78

D. 277,961 3/1985 Shimizu et al. .... D14/78  
D. 284,082 6/1986 Masatsugu et al. .... D14/78

### OTHER PUBLICATIONS

Video Review, Apr. 1983, p. 14, Color Videocamera.  
Best Products catalog, 1983/84, p. 375, item 15.

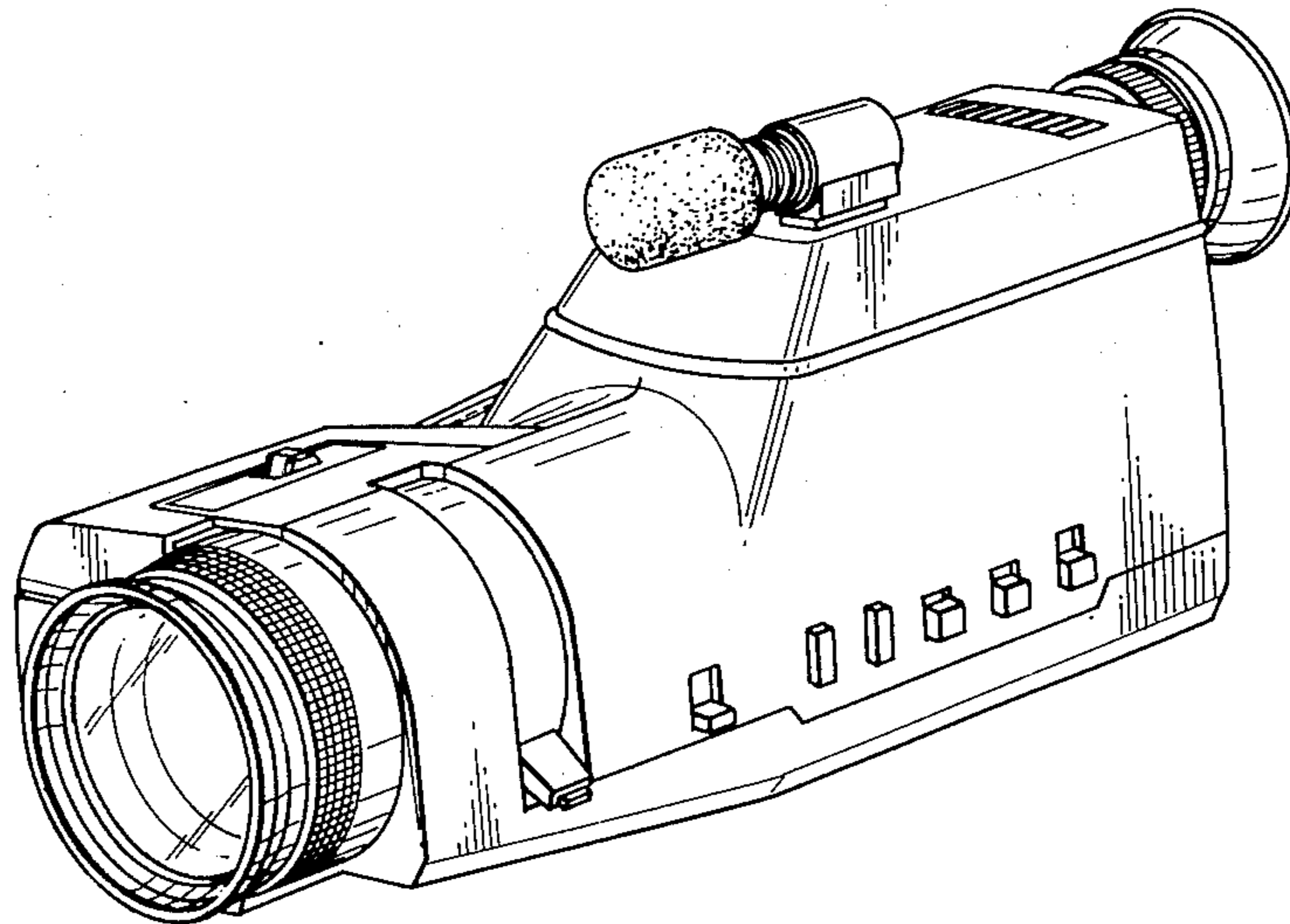
*Primary Examiner*—Bernard Ansher  
*Assistant Examiner*—Theodore M. Shooman  
*Attorney, Agent, or Firm*—Sughrue, Mion, Zinn,  
Macpeak, and Seas

[57] CLAIM

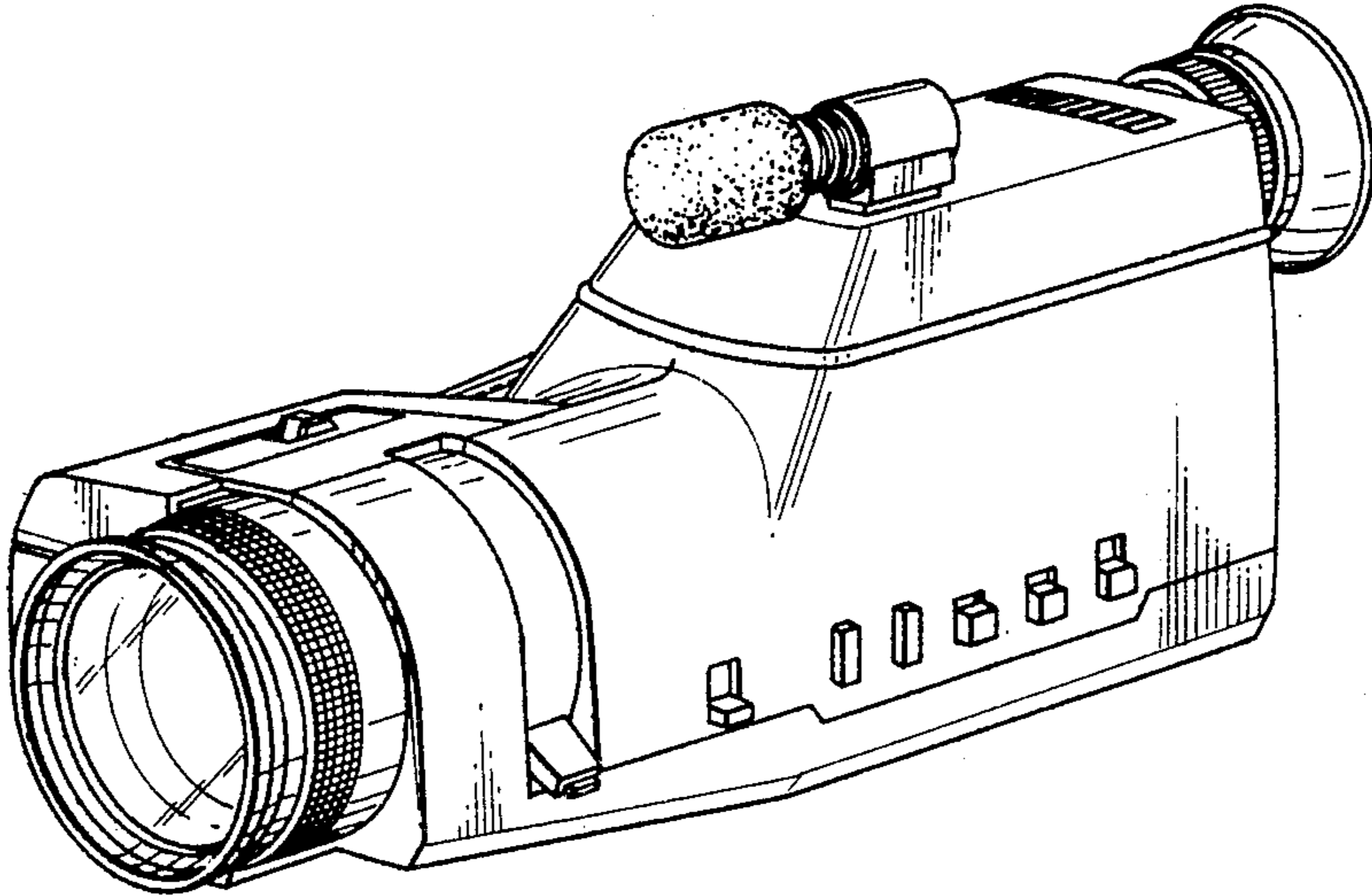
The ornamental design for a video camera, as shown.

### DESCRIPTION

FIG. 1 is a front, top and right side perspective view of a video camera showing our new design;  
FIG. 2 is a left side elevational view thereof;  
FIG. 3 is a top plan view thereof;  
FIG. 4 is a bottom plan view thereof;  
FIG. 5 is a front elevational view thereof; and  
FIG. 6 is a rear elevational view thereof.



*Fig. 1*



*Fig. 2*

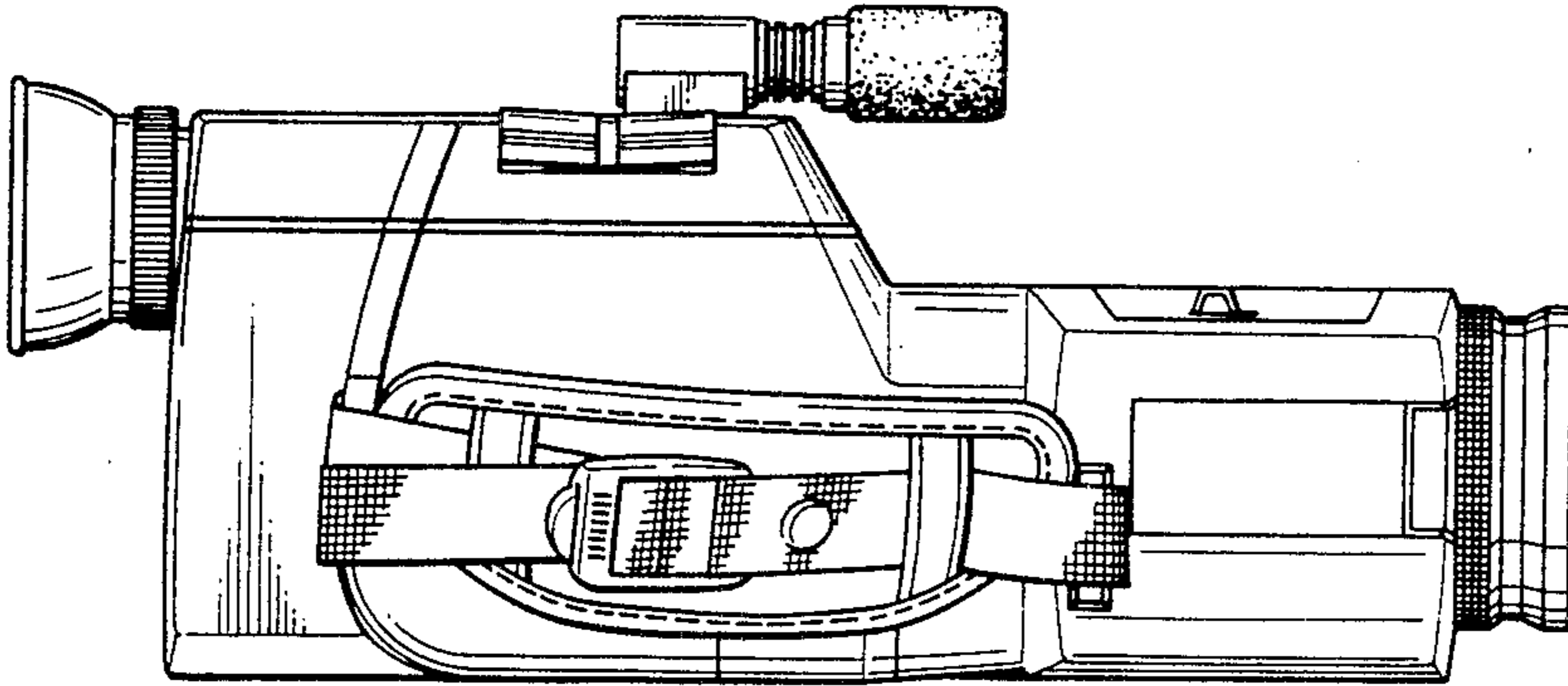


Fig. 3

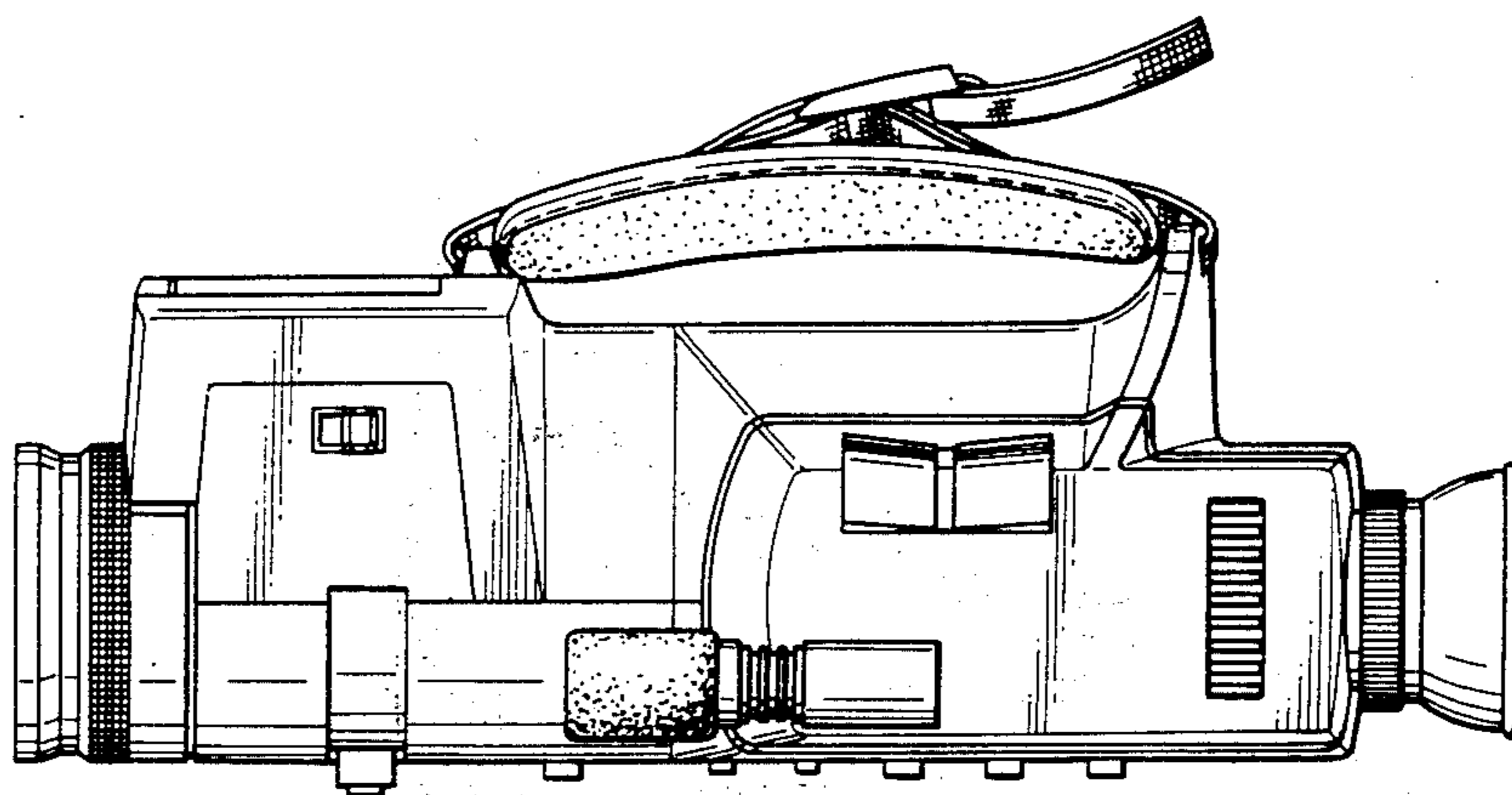
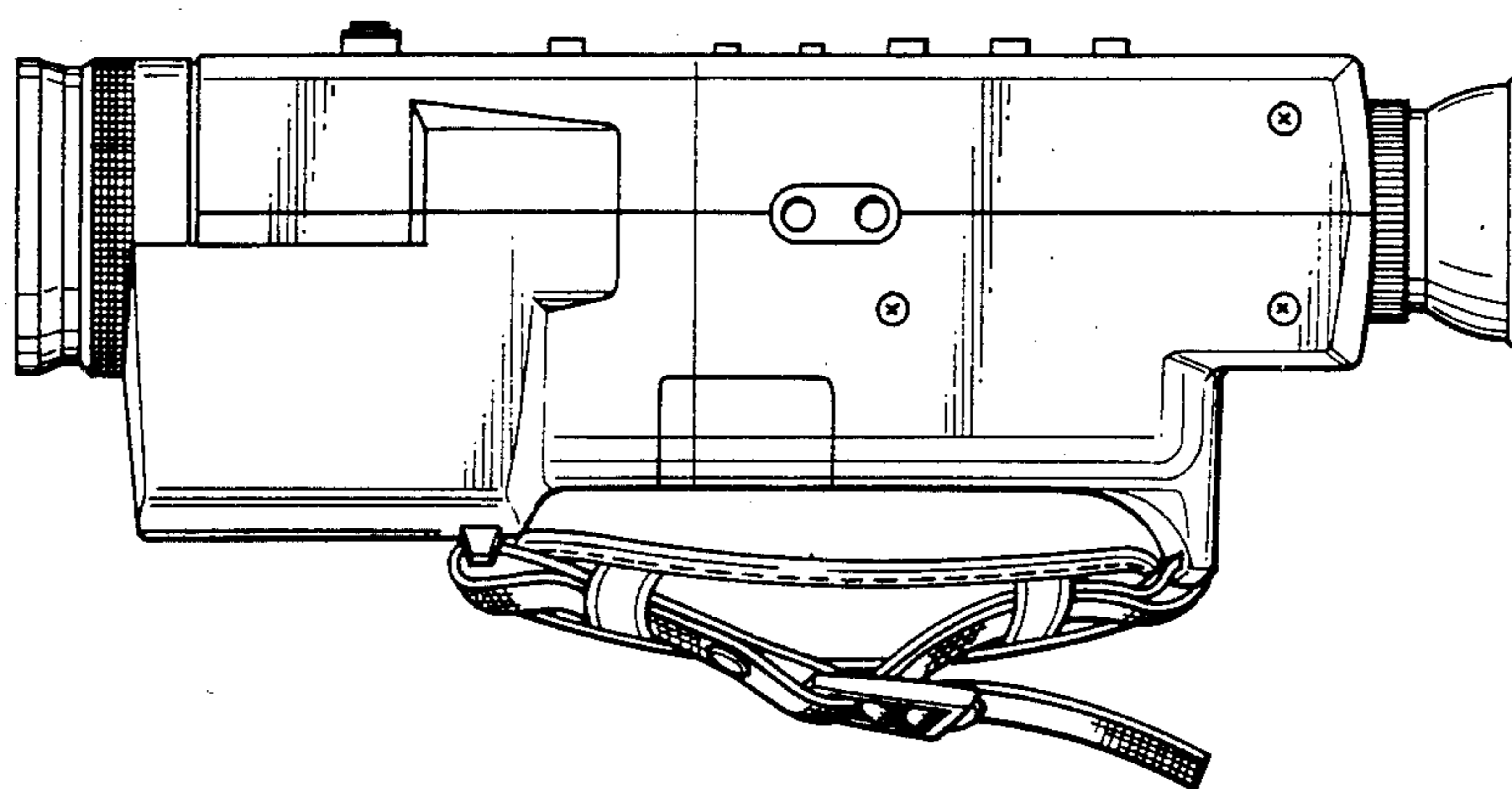
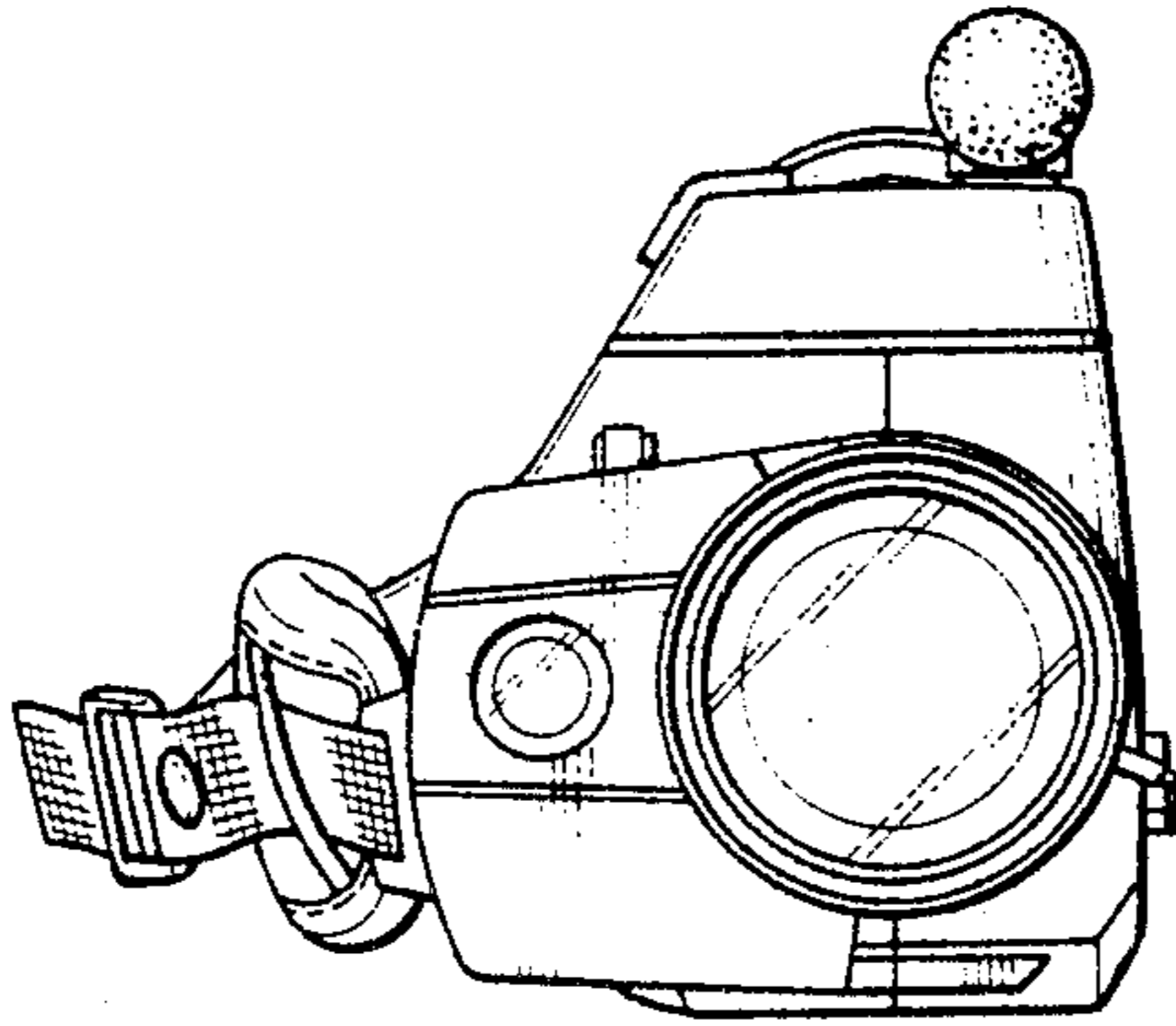


Fig. 4



*Fig. 5*



*Fig. 6*

