

[54] DESK TELEPHONE SET

[75] Inventors: James T. Asaki; Robert L. Gault, both of Raleigh, N.C.

[73] Assignee: ITT Corporation, New York, N.Y.

[**] Term: 14 Years

[21] Appl. No.: 784,124

[22] Filed: Oct. 4, 1985

[52] U.S. Cl. D14/53; D14/62

[58] Field of Search D19/87, 75; D14/52-67; 179/179, 100 R, 100 D, 100 C, 101, 90 K

[56] References Cited

U.S. PATENT DOCUMENTS

D. 173,037	9/1954	Nevstadter	D14/59
D. 206,161	11/1966	Cuccio et al.	D14/62
D. 229,837	1/1974	Genaro et al.	D14/63
D. 248,649	7/1978	Breger	D14/53
D. 254,007	1/1980	Hampf	D14/66
D. 259,638	6/1981	Giovanna	D14/53
D. 264,211	5/1982	Hillmer	D14/62
D. 270,053	8/1983	Bosch	D18/12
D. 270,637	9/1983	Fukushima	D18/12
D. 282,927	3/1986	Story et al.	D14/53
D. 283,319	4/1986	Marshall	D14/53
D. 283,421	4/1986	Brier	D14/58
D. 283,708	5/1986	Tamura	D14/52
D. 284,078	6/1986	Yamagami et al.	D14/53

1,122,615	12/1914	Krupp	D14/66
4,515,998	5/1985	Pinede et al.	146 R/
4,598,175	2/1986	Read	179/100 C

OTHER PUBLICATIONS

B. A. Pargh Co. Inc. Catalog with ©1983; p. 7 "Webcor Zip" Basic Desk Phone: Model No. 1000 ZT BG.

Primary Examiner—Wallace R. Burke

Assistant Examiner—Horace B. Fay

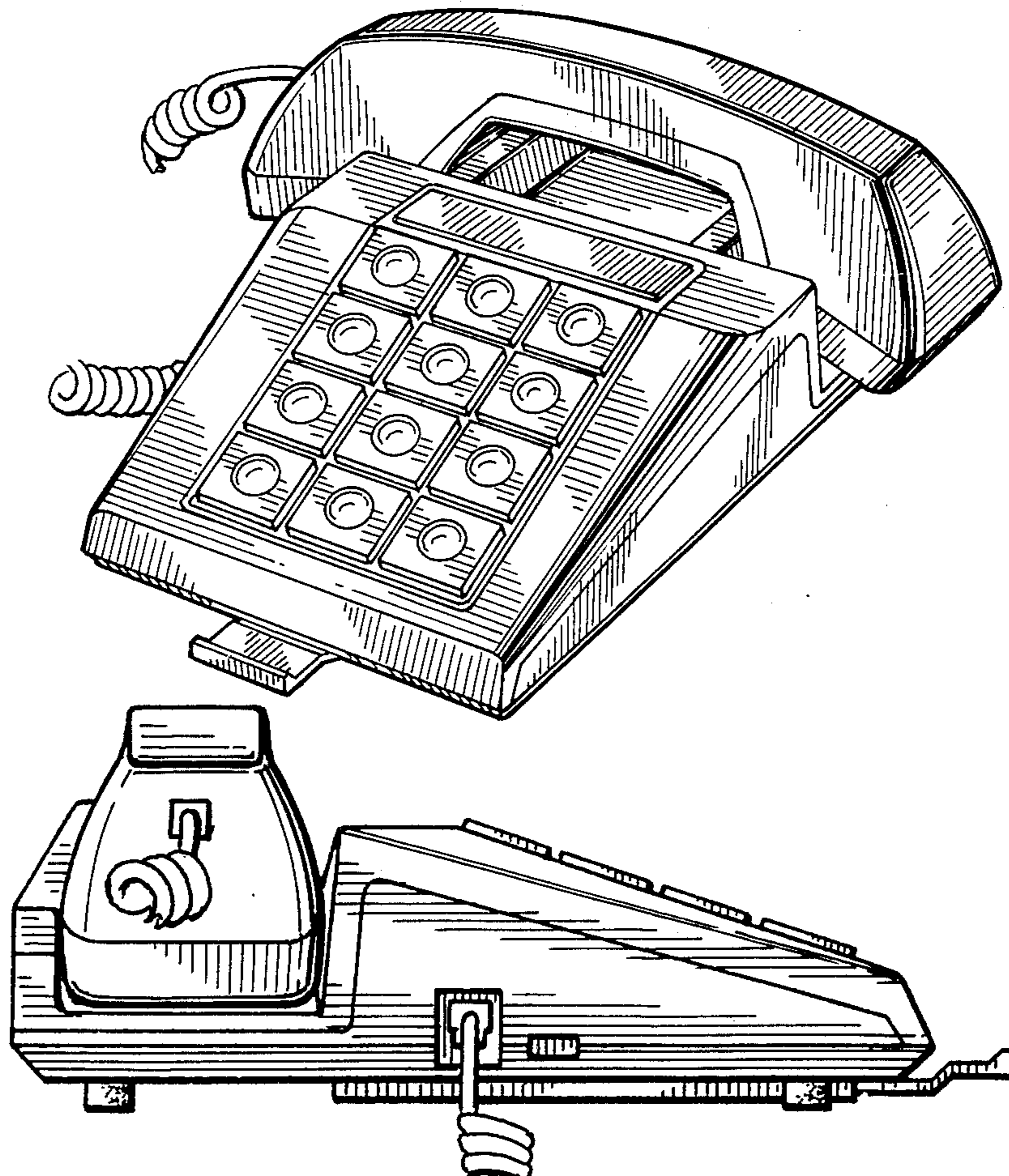
Attorney, Agent, or Firm—John T. O'Halloran; Thomas F. Meagher

[57] CLAIM

The ornamental design for a desk telephone set, as shown and described.

DESCRIPTION

FIG. 1 is a front, top and right side perspective view of a desk telephone set showing our new design; FIG. 2 is a top plan view thereof; FIGS. 3 and 4 are, respectively, front and rear elevational views thereof; FIGS. 5 and 6 are, respectively, left and right side elevational views thereof; FIG. 7 is a bracketed top plan view of the stand and a bottom plan view of the receiver of the set, shown in associated relationship; FIGS. 8 and 9 are, respectively, left and right side elevational views of the stand alone; and FIG. 10 is a rear elevational view of the stand alone.



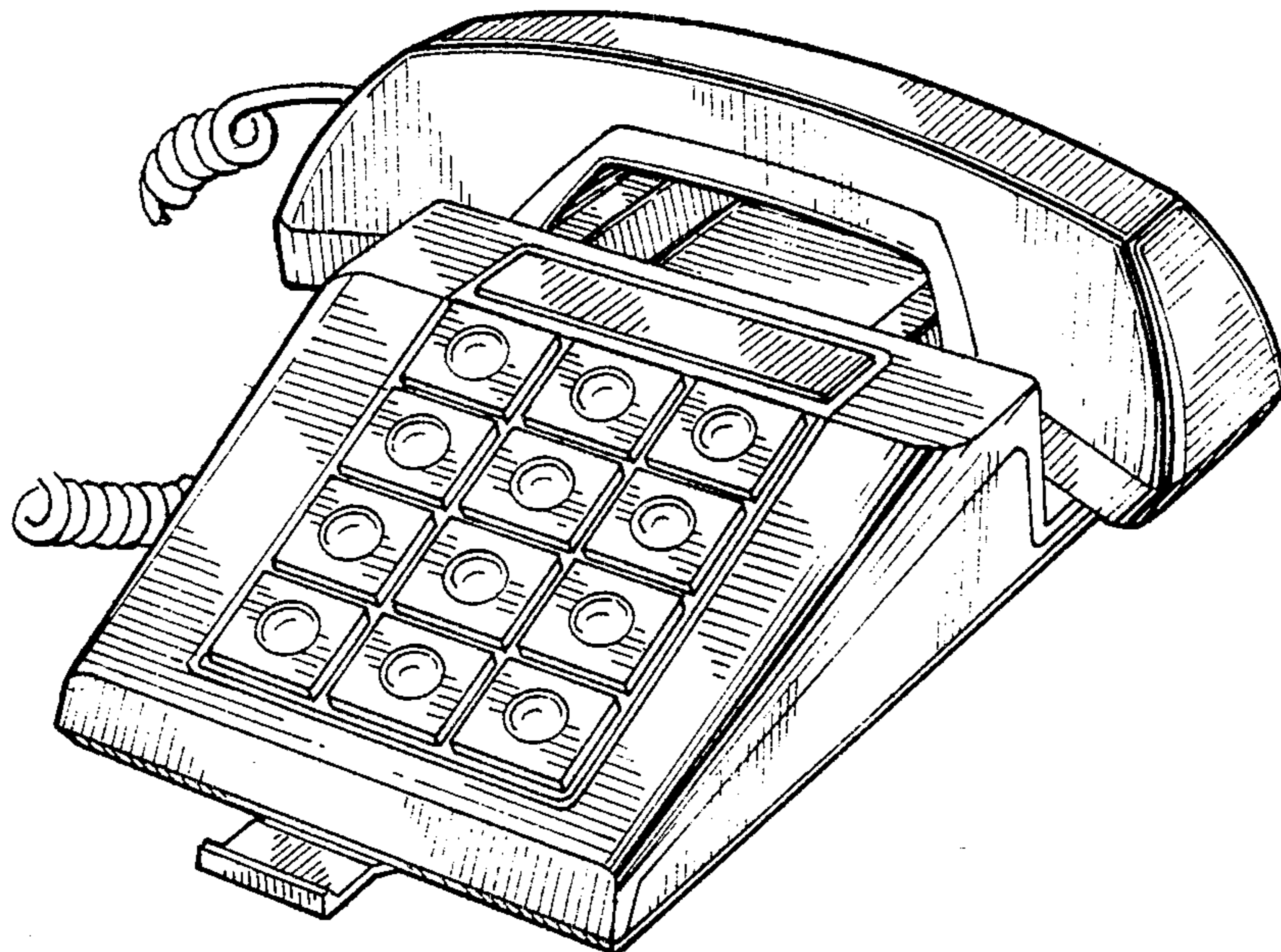


FIG. 1

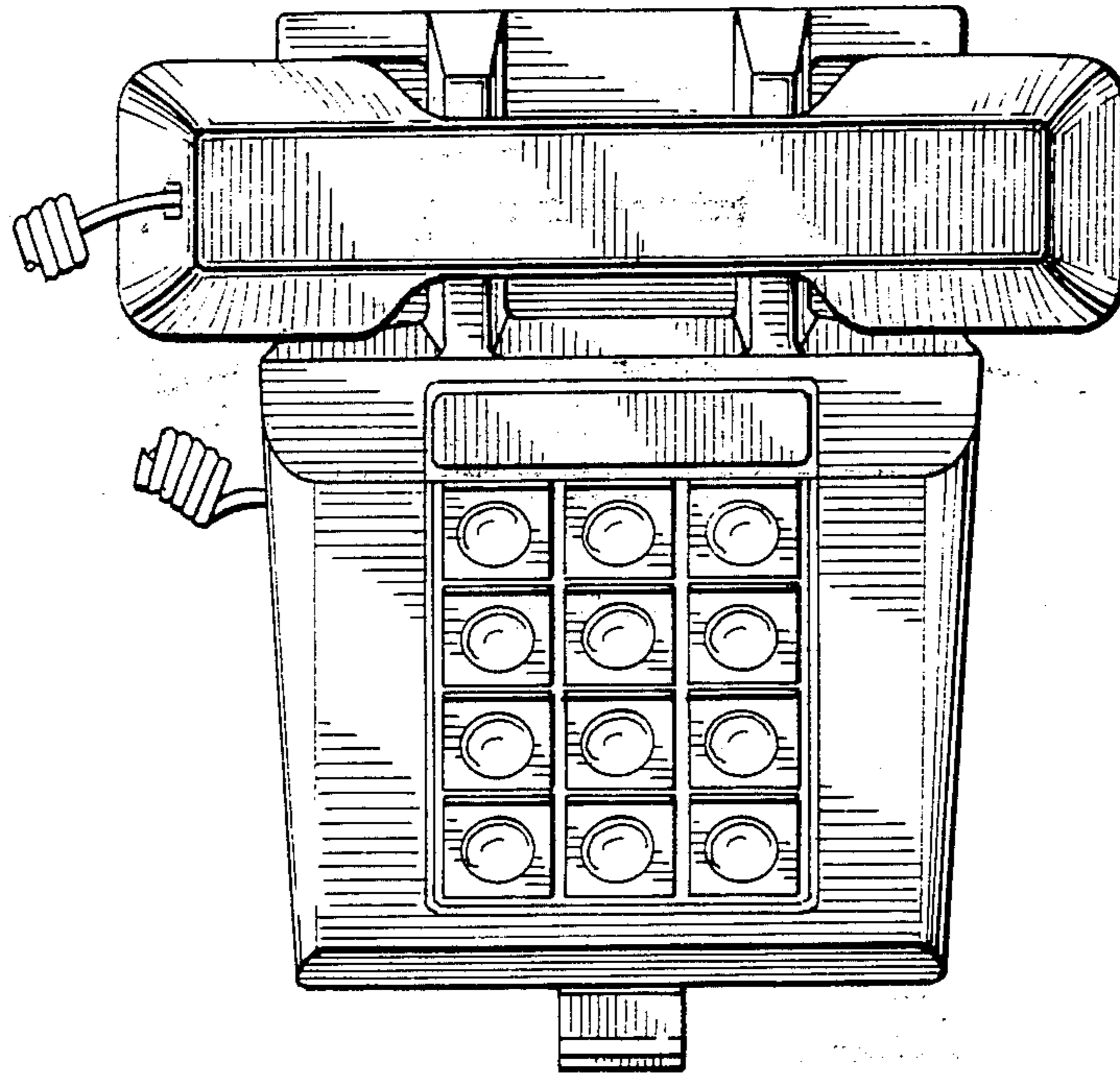


FIG. 2

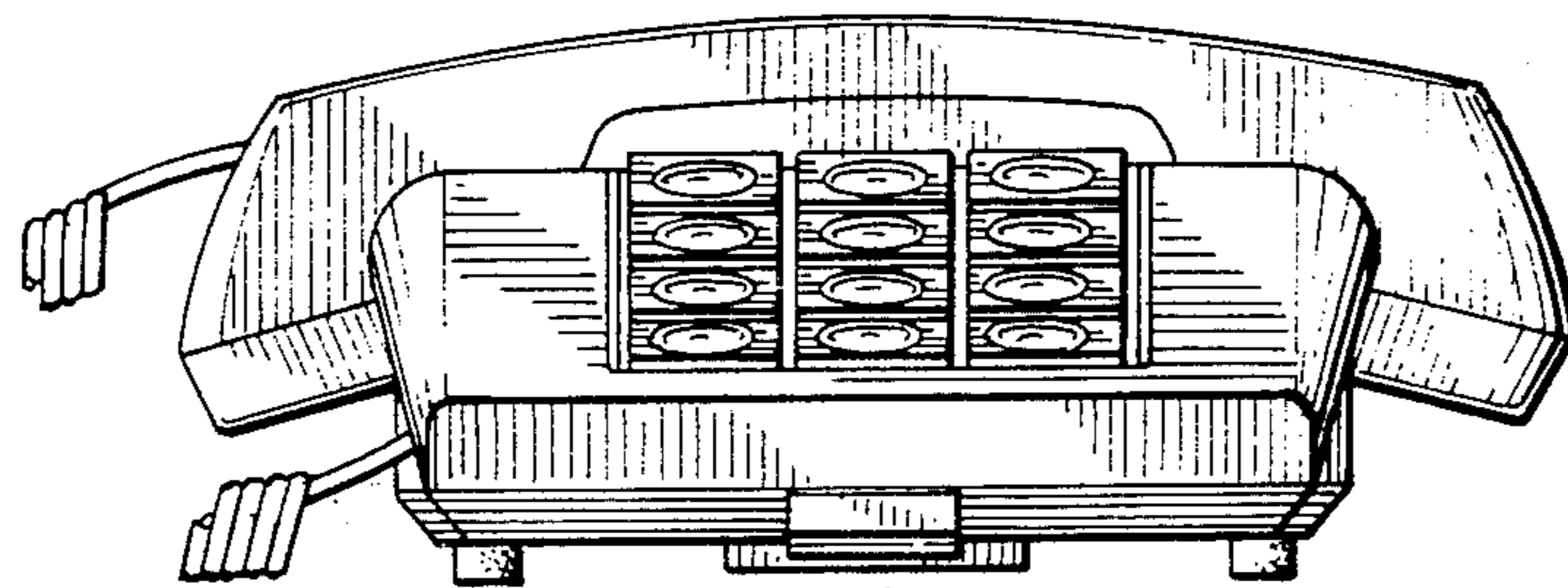


FIG. 3

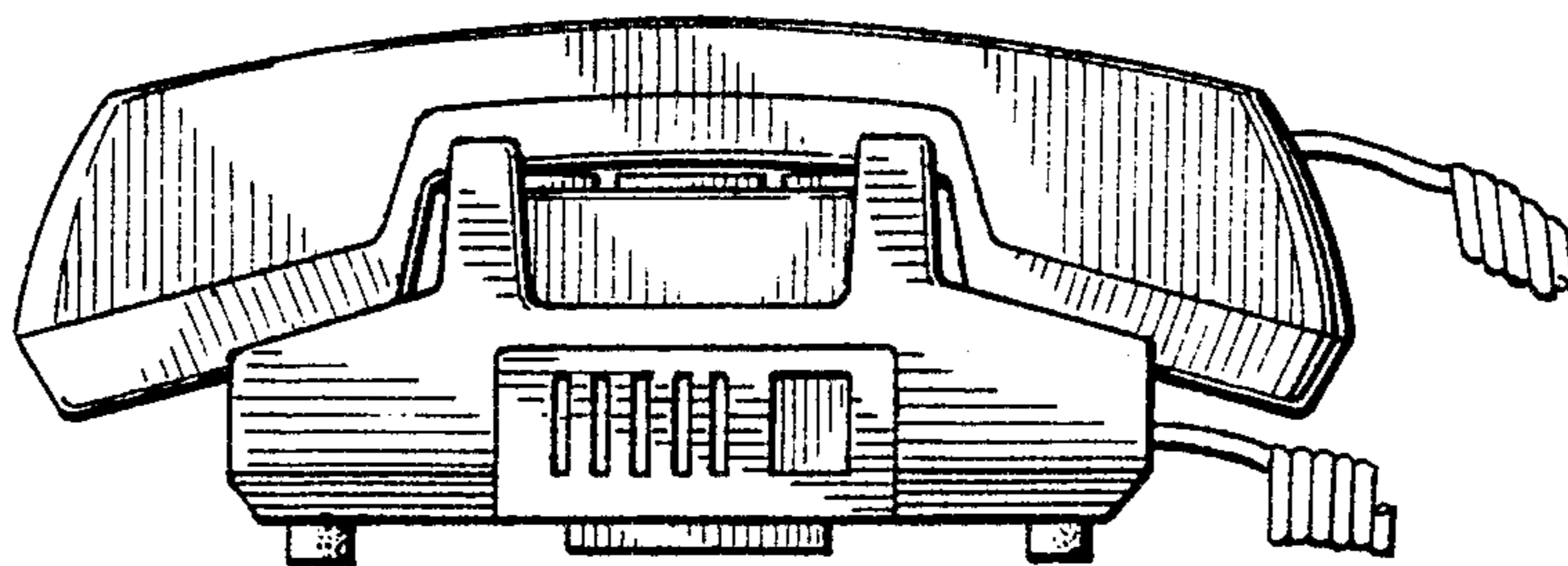


FIG. 4

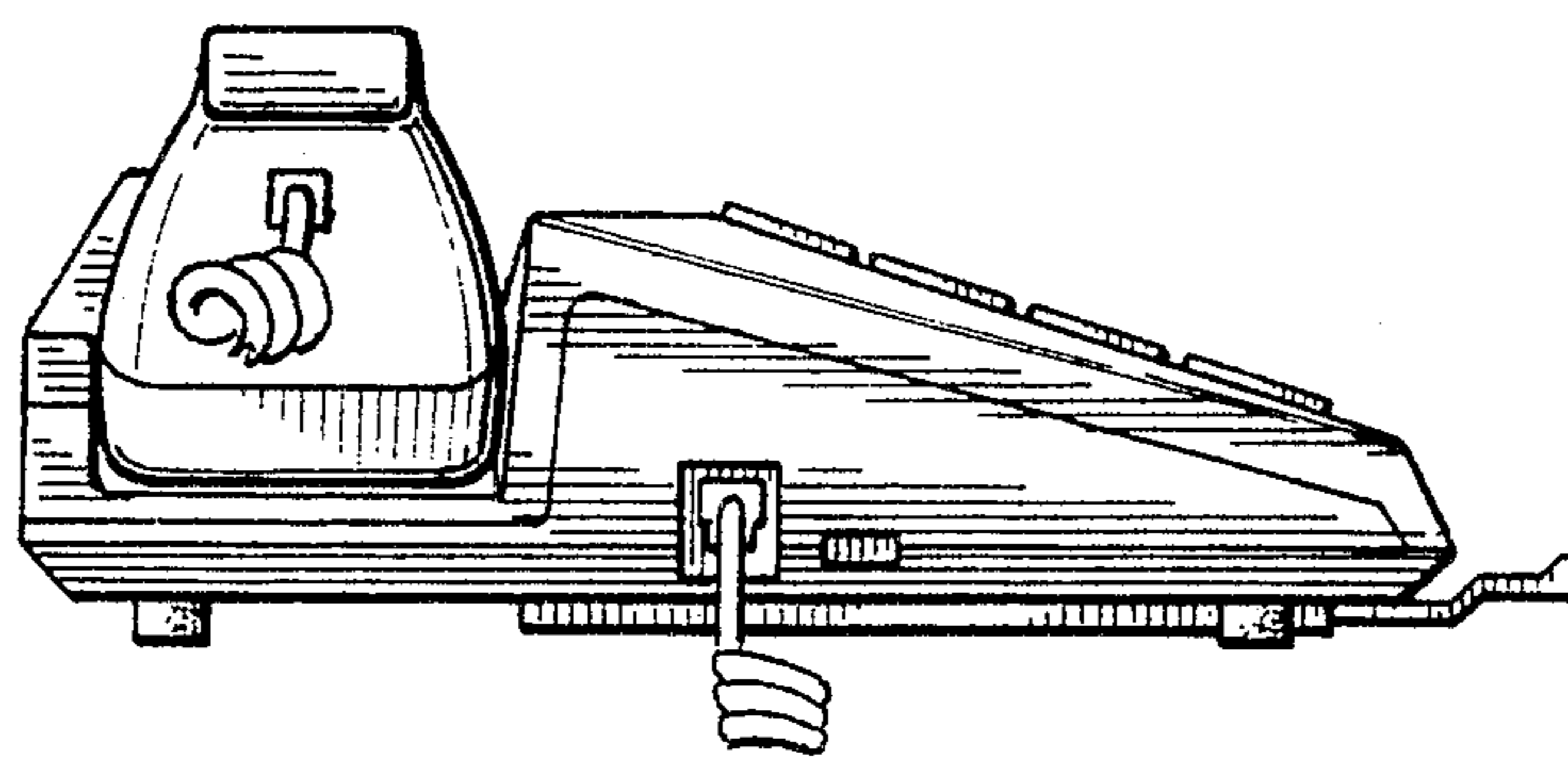


FIG. 5

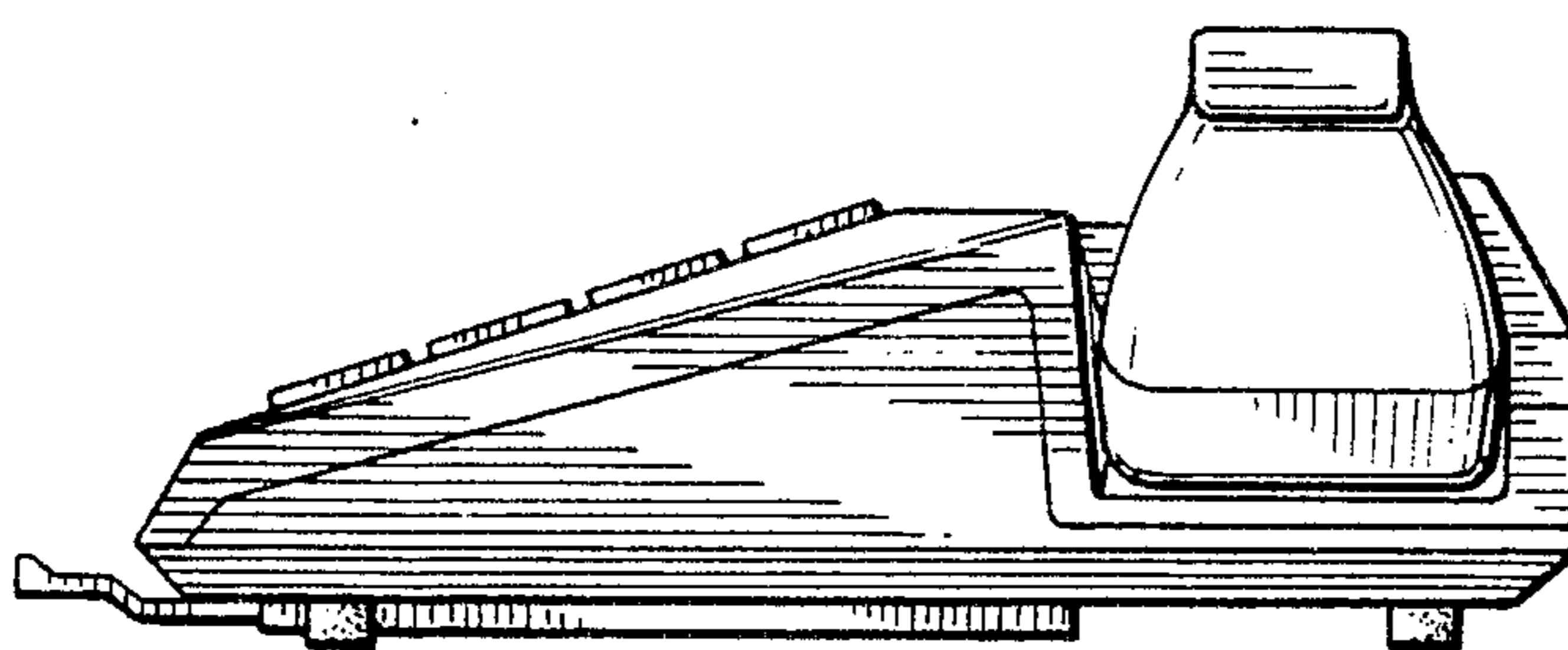


FIG. 6

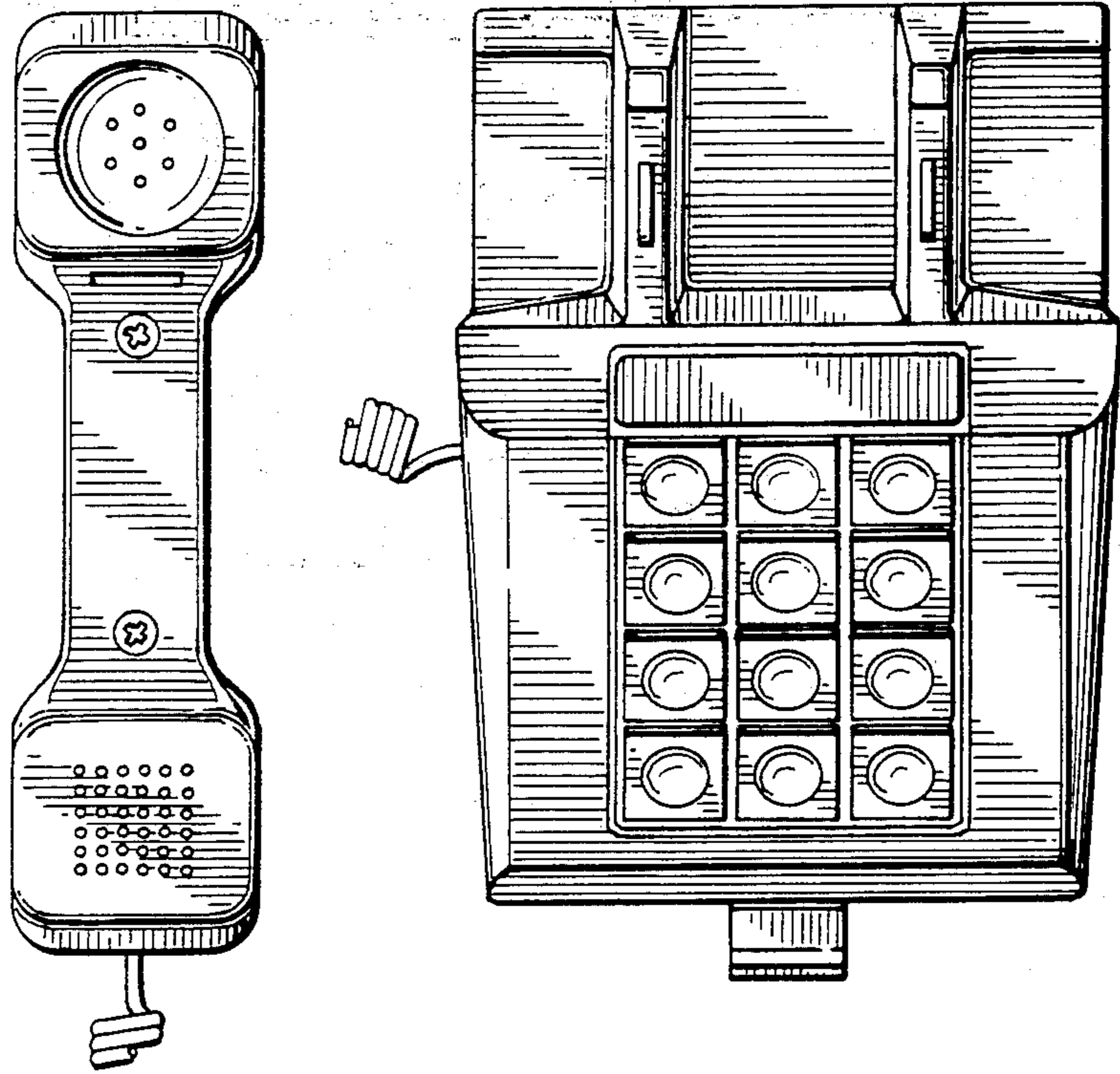


FIG. 7

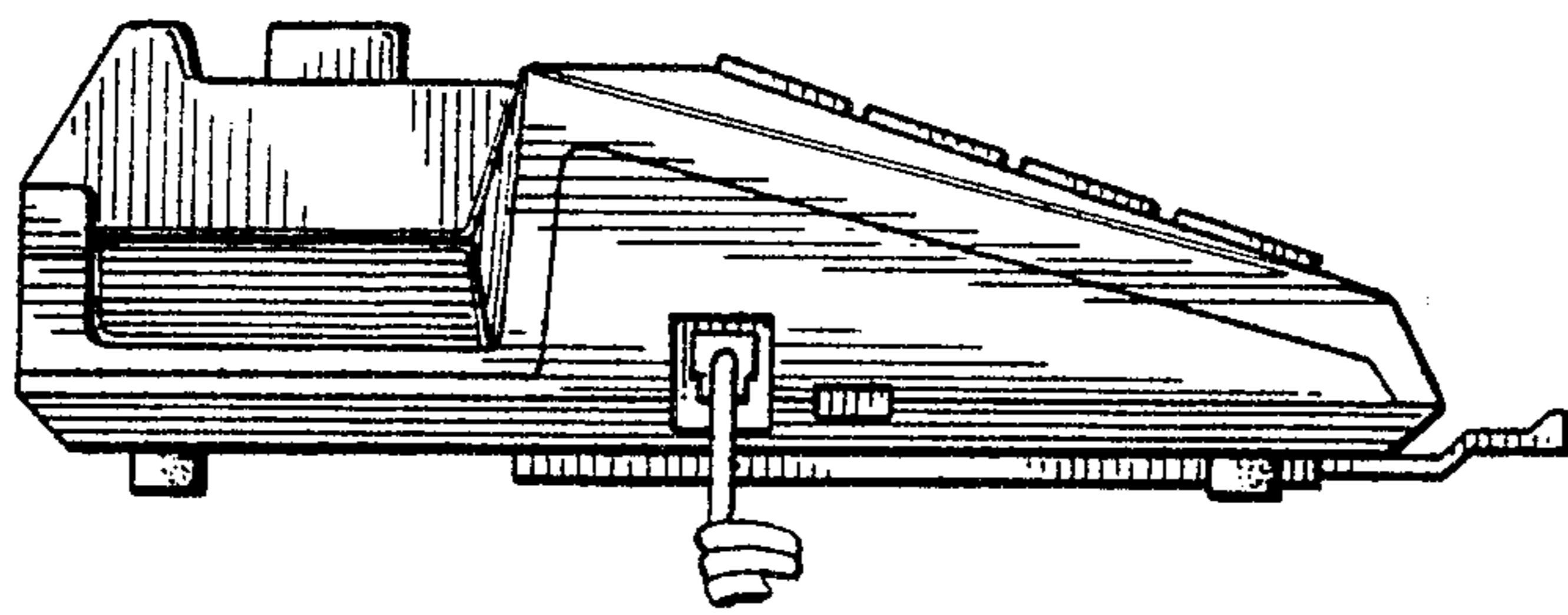


FIG. 8

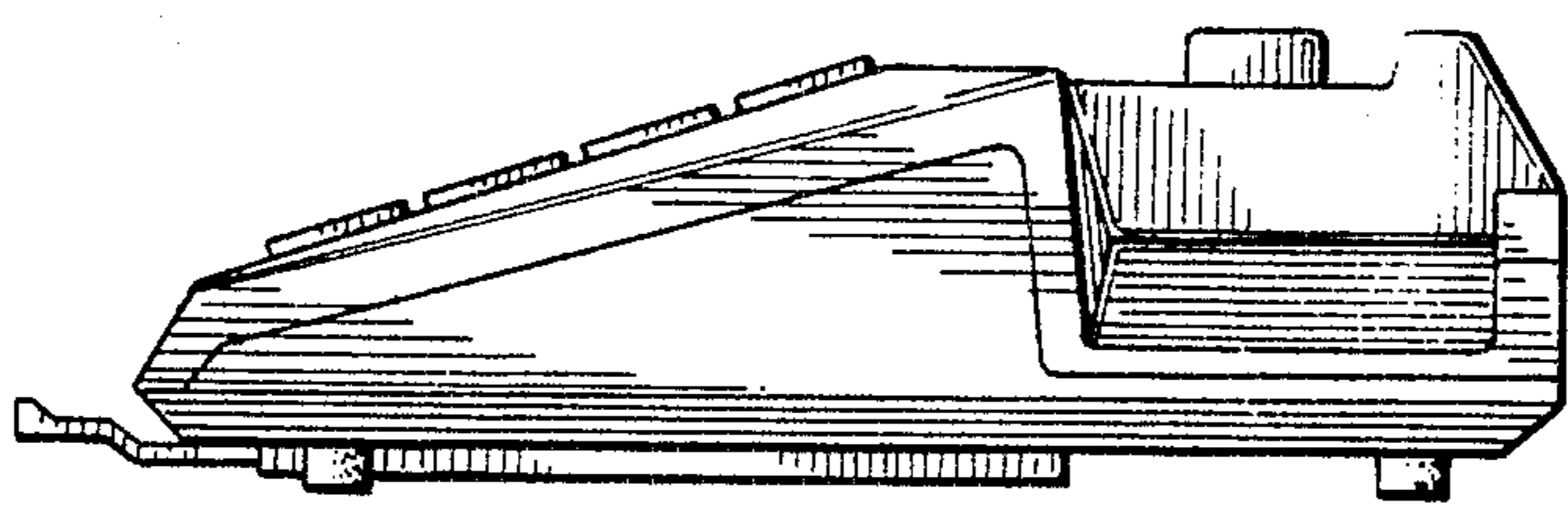


FIG. 9

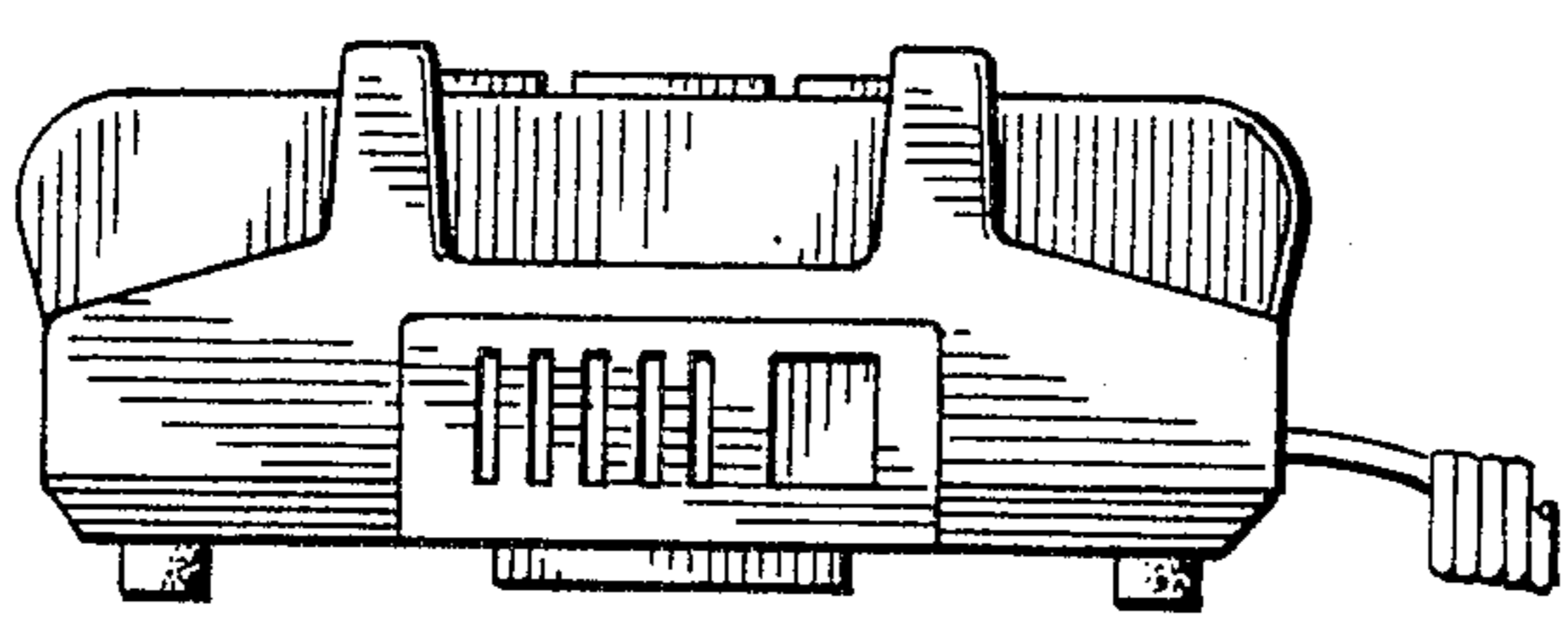


FIG. 10