

[54] LOUDSPEAKER

[75] Inventor: Terrence J. Hlavaty, Berkeley, Ill.

[73] Assignee: International Jensen Incorporated, Schiller Park, Ill.

[**] Term: 14 Years

[21] Appl. No.: 608,379

[22] Filed: May 9, 1984

[52] U.S. Cl. D14/30; D14/33

[58] Field of Search D14/1, 30, 31, 32, 33, D14/35, 39, 99, 34; 181/155, 199, 198; 179/146 E, 181 R, 121 D; 455/95

[56] References Cited

U.S. PATENT DOCUMENTS

D. 225,069	11/1972	May	D14/30
D. 269,870	7/1983	Iijima	D14/34 X
D. 279,183	6/1985	Yoshikawa	D14/30
D. 281,067	10/1985	Katsuno	D14/34 X

Primary Examiner—Bernard Ansher

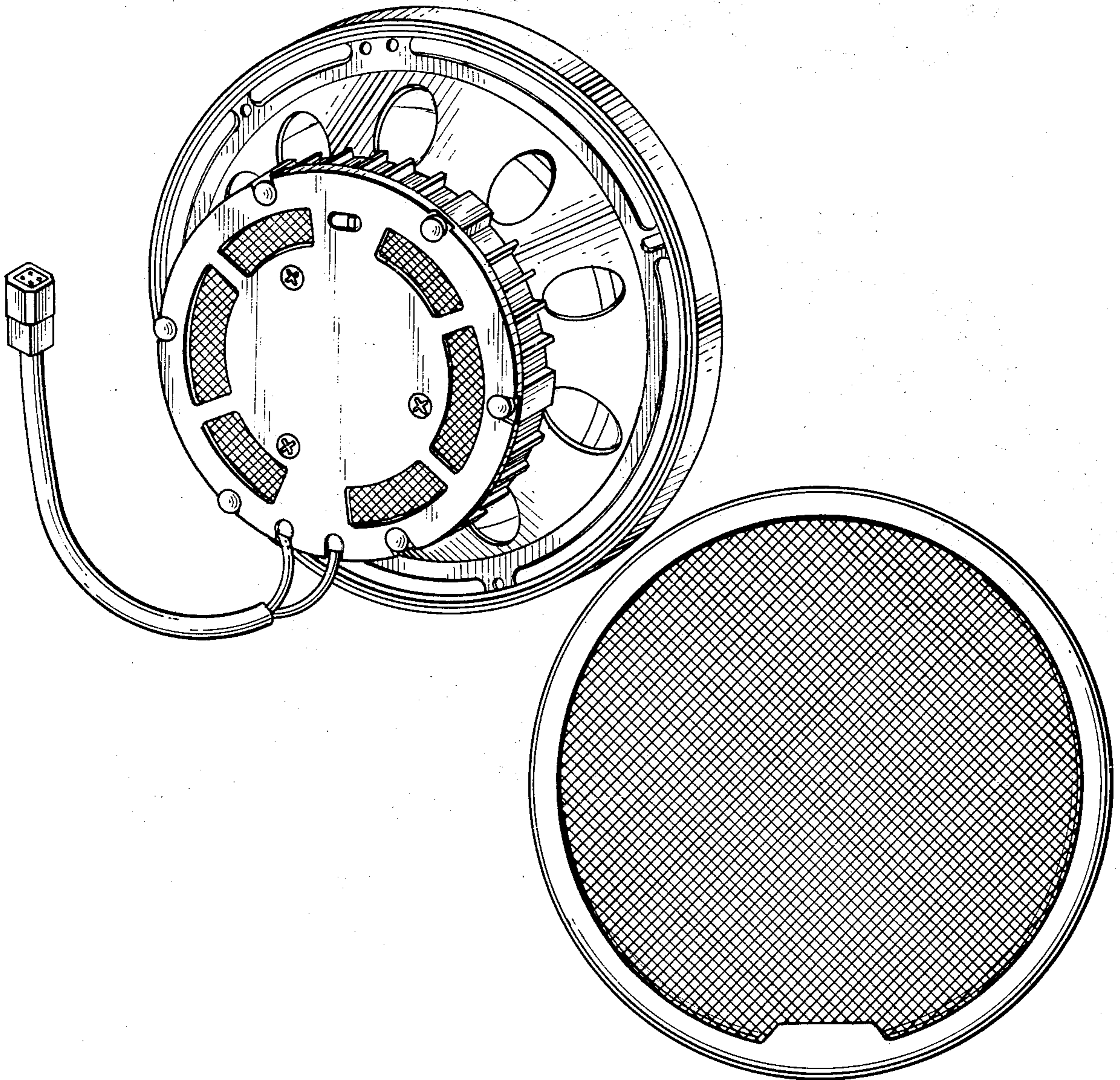
Assistant Examiner—Theodore M. Shooman
Attorney, Agent, or Firm—William Brinks Olds Hofer
Gilson & Lione Ltd.

[57] CLAIM

The ornamental design for a loudspeaker, as shown and described.

DESCRIPTION

FIG. 1 is a rear perspective view of a loudspeaker showing my new design;
FIG. 2 is a rear elevational view thereof;
FIG. 3 is a side elevational view thereof, the opposite side being a mirror image;
FIG. 4 is a front elevational view thereof;
FIG. 5 is a rear perspective view of a second embodiment of the loudspeaker of FIG. 1;
FIG. 6 is a rear elevational view of the embodiment of FIG. 5; and
FIG. 7 is a side elevational view of the embodiment of FIG. 5, the opposite side being a mirror image.
The front elevation of the second embodiment illustrated in FIG. 5 is identical to that shown in FIG. 4.



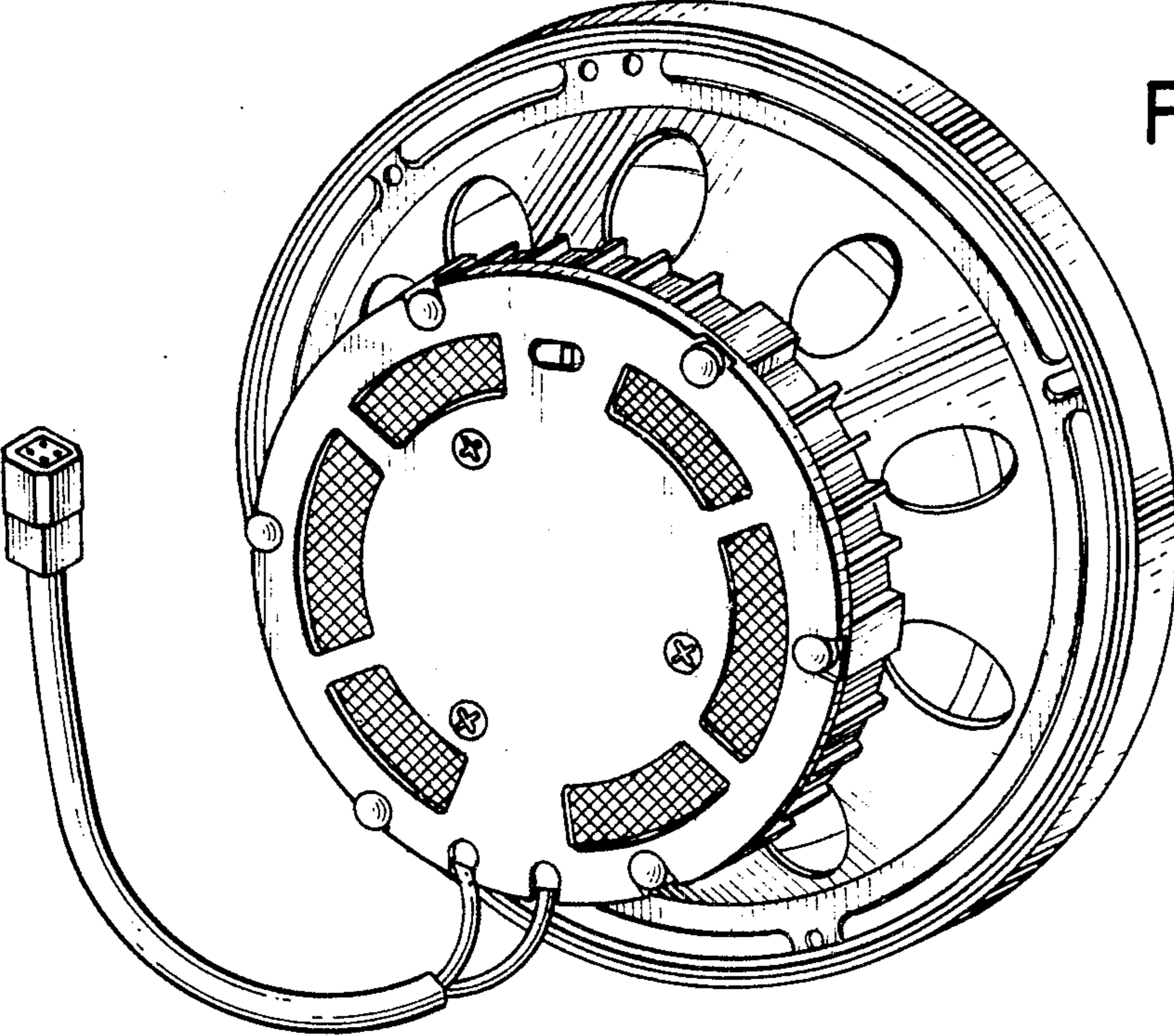


FIG. 1

FIG. 2

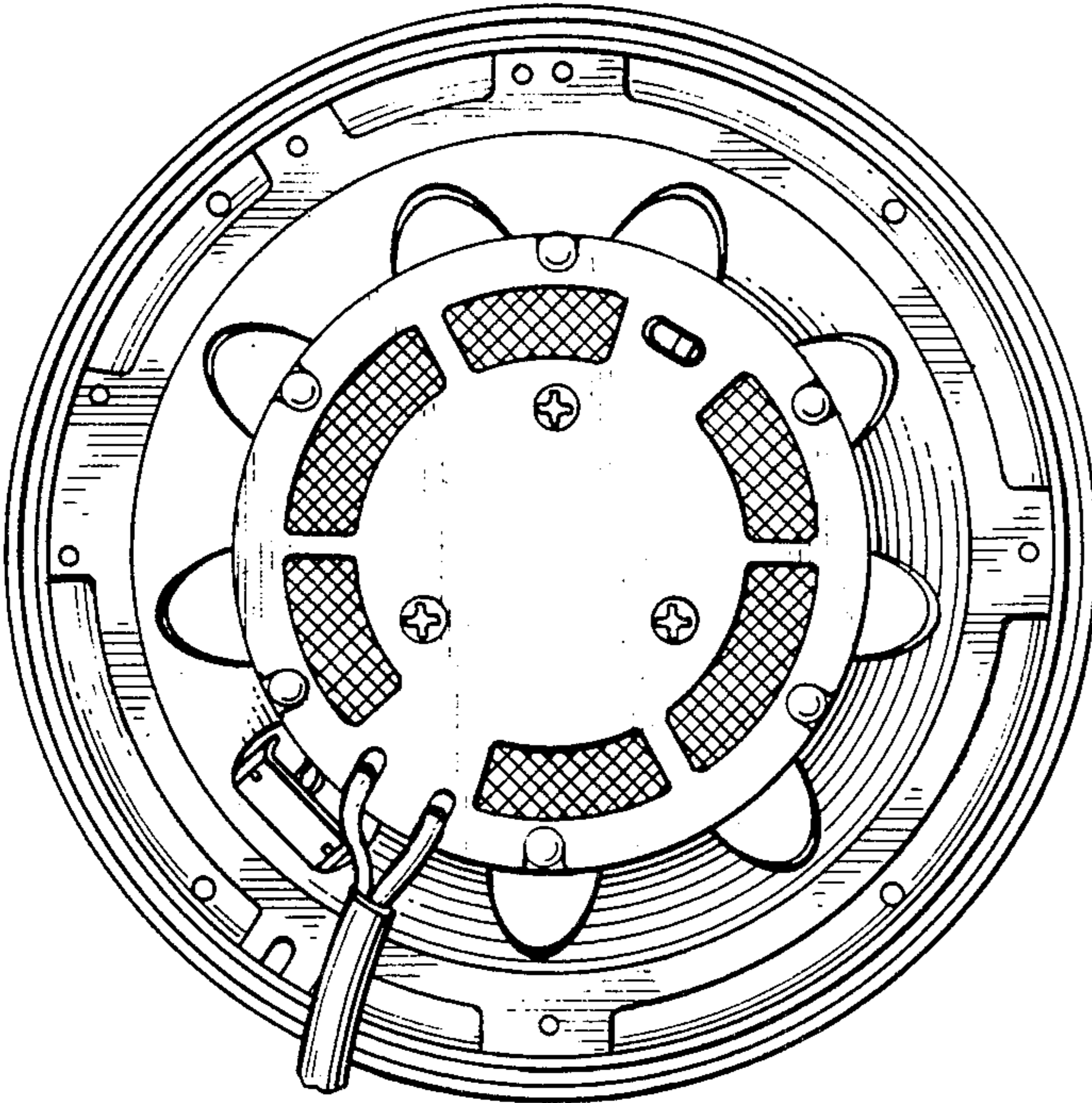
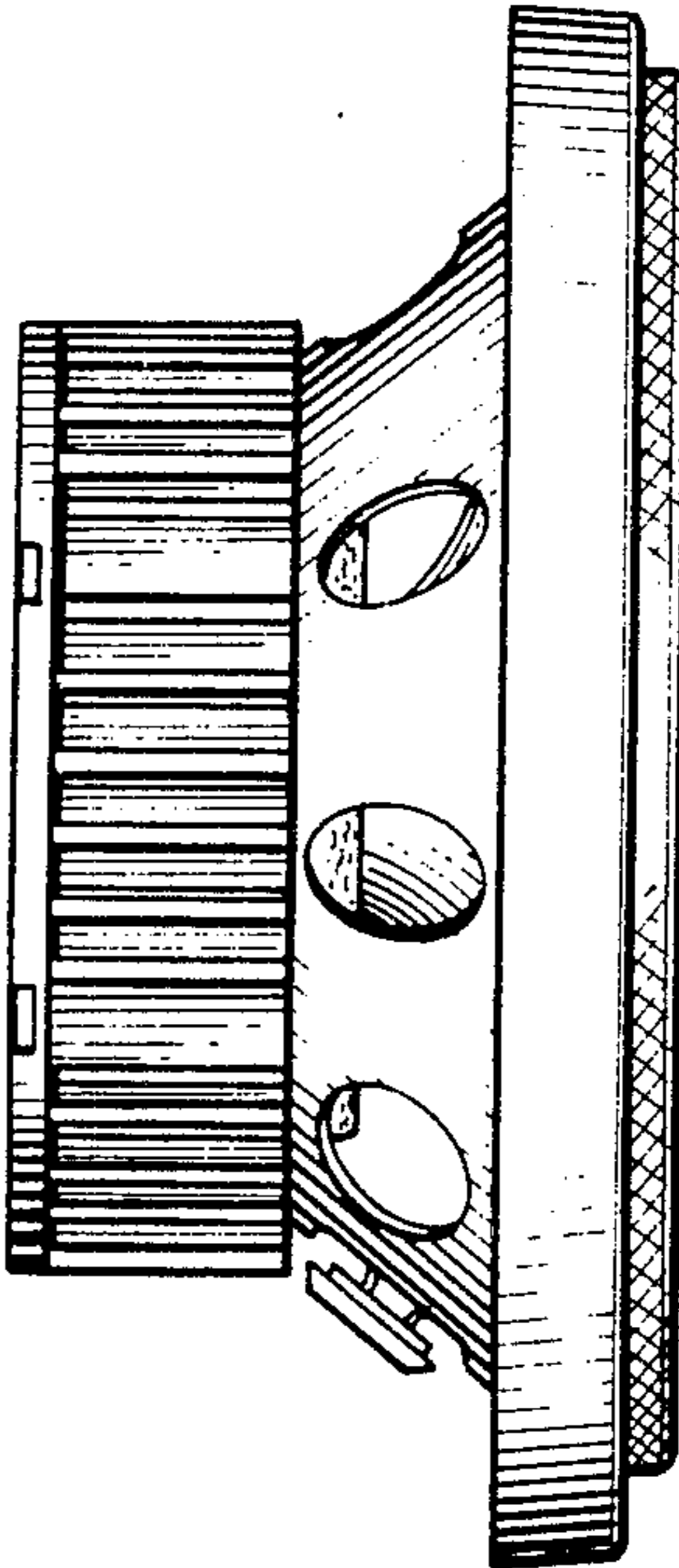


FIG. 3



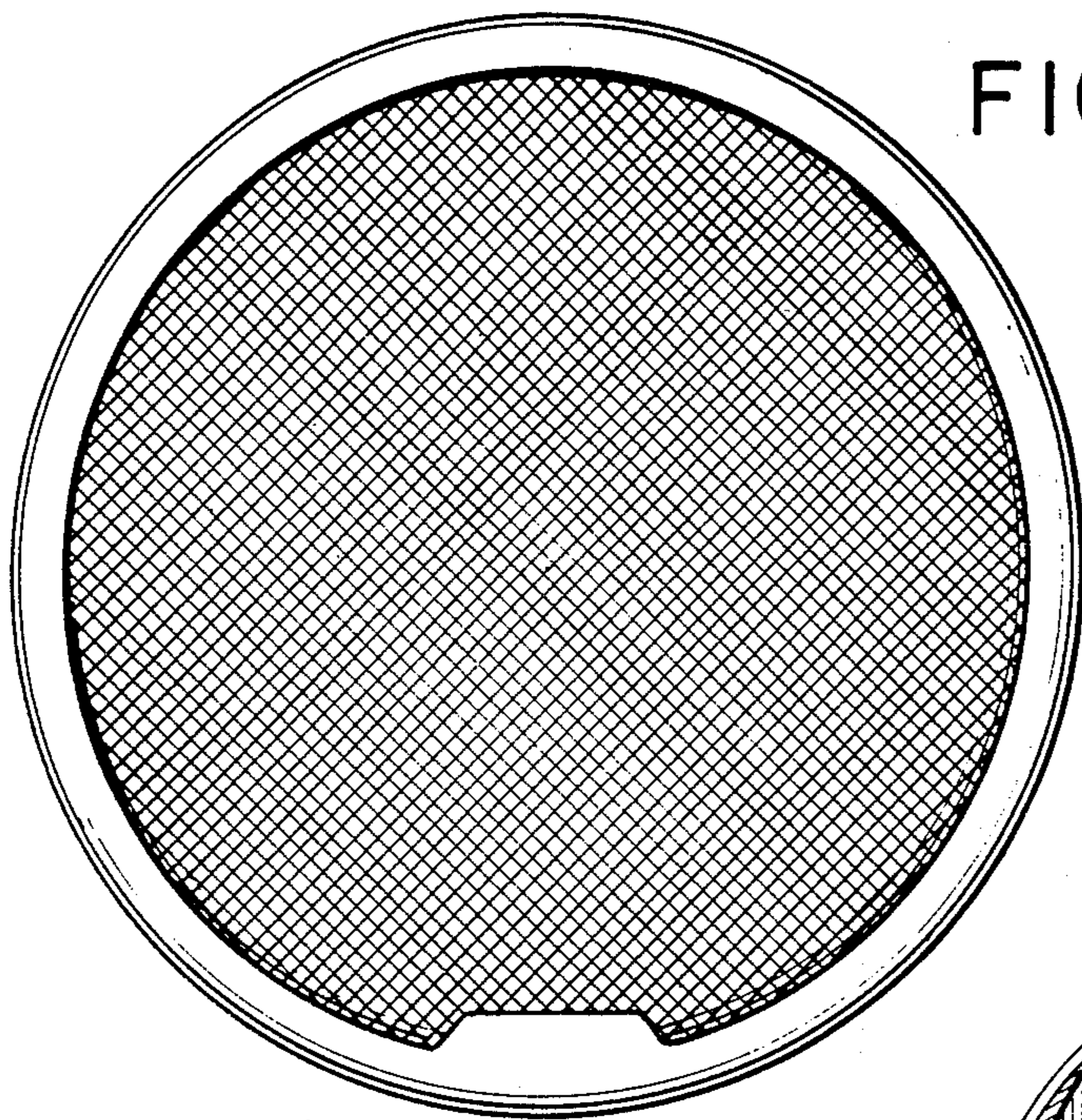


FIG. 4

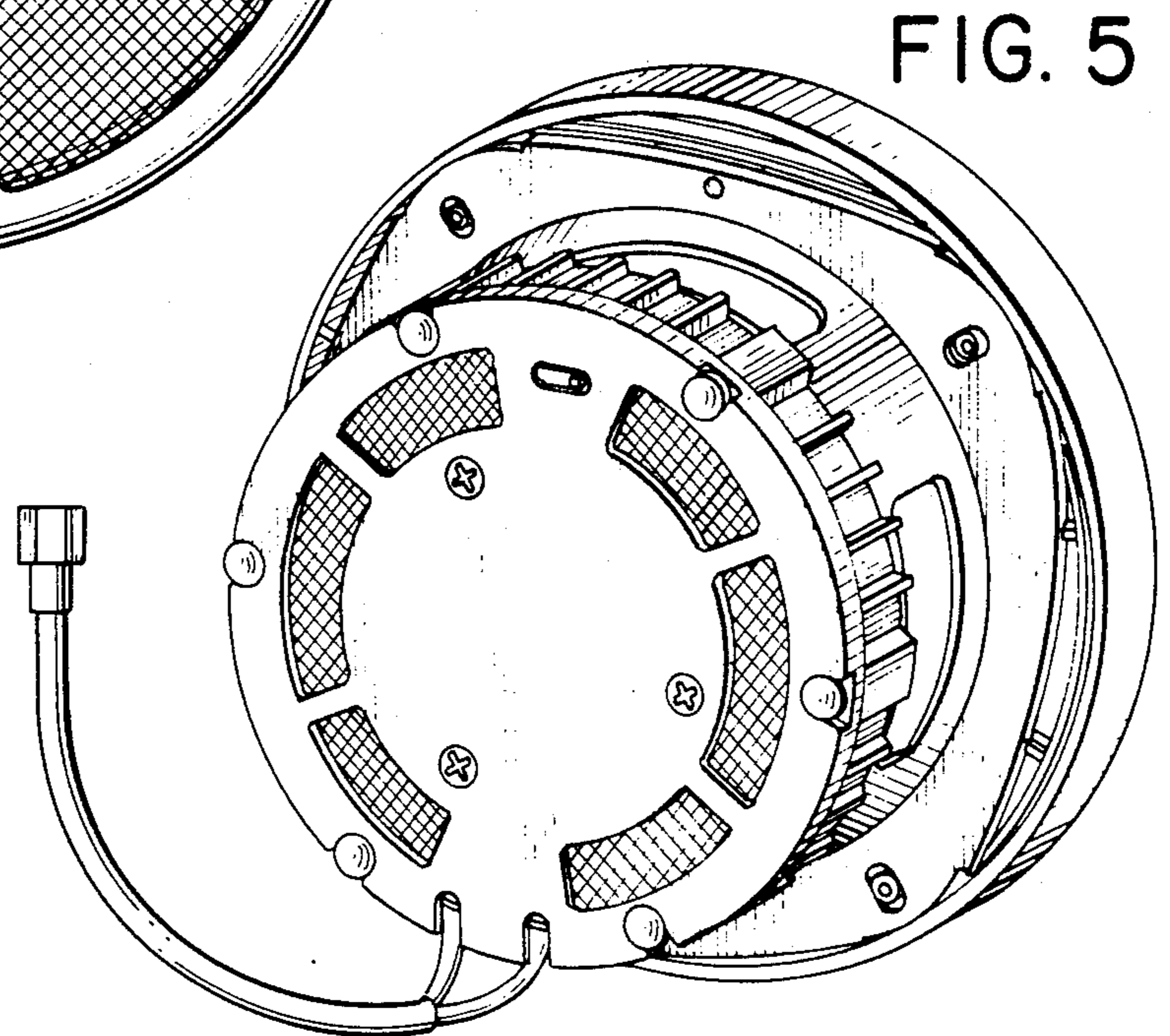


FIG. 5

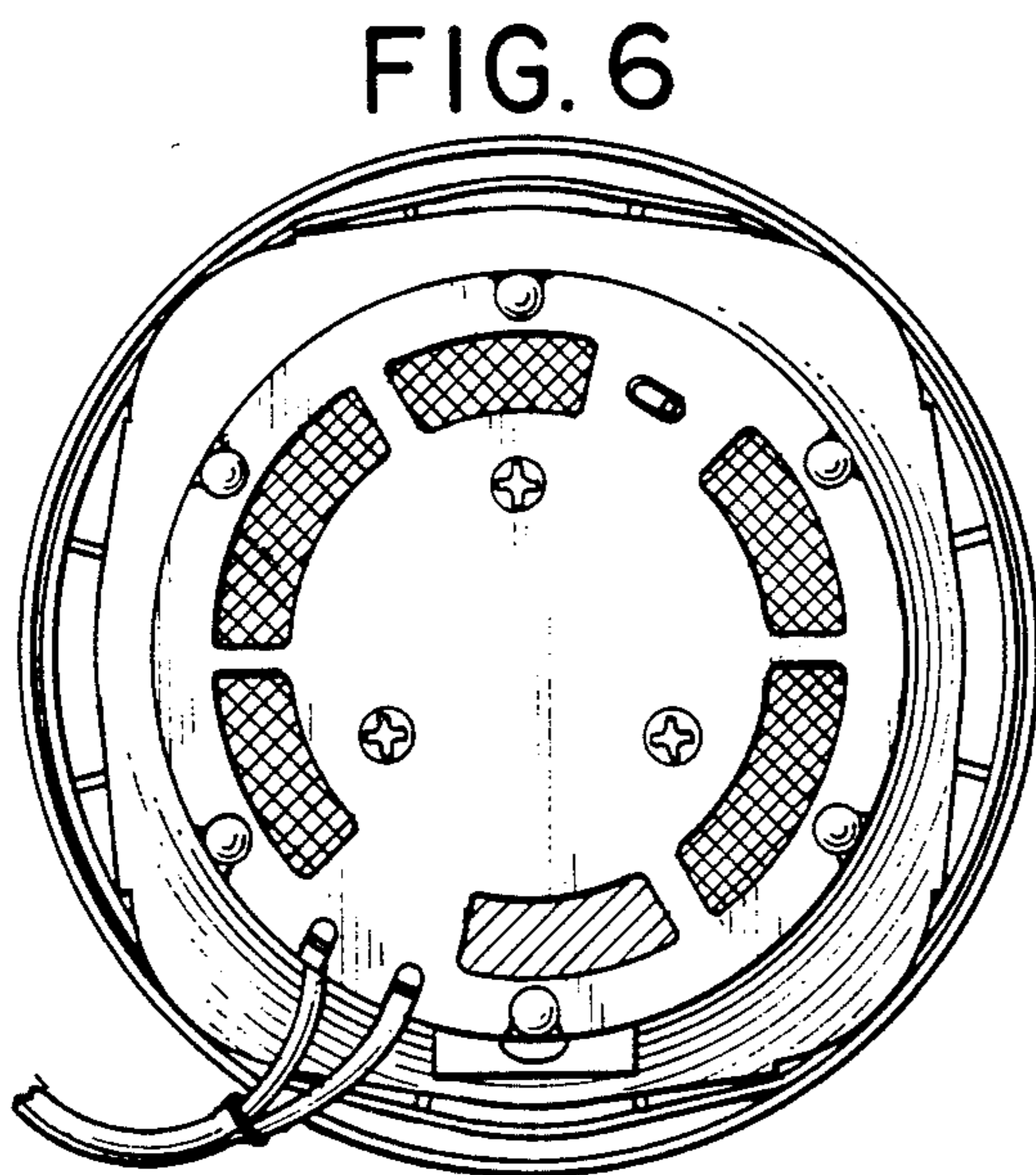


FIG. 6

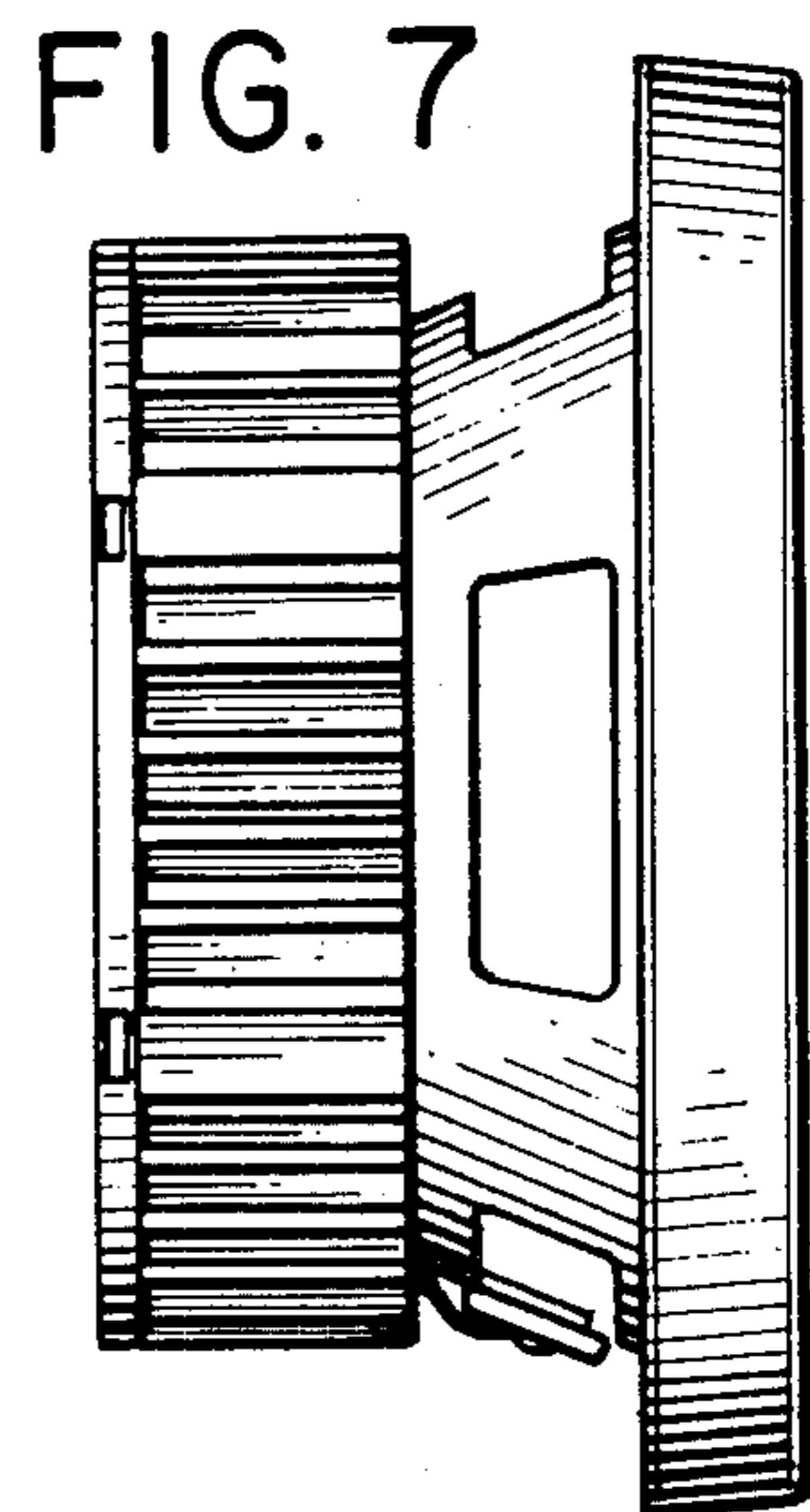


FIG. 7