

United States Patent [19]

Nishizawa

[11] Patent Number: **Des. 288,805**

[45] Date of Patent: **** Mar. 17, 1987**

[54] **PHOTODIODE**

[75] Inventor: **Hideaki Nishizawa, Osaka, Japan**

[73] Assignee: **Sumitomo Electric Industries, Ltd., Osaka, Japan**

[**] Term: **14 Years**

[21] Appl. No.: **619,755**

[22] Filed: **Jun. 12, 1984**

[30] **Foreign Application Priority Data**

Dec. 16, 1983 [JP] Japan 58-54295

[52] U.S. Cl. **D13/99**

[58] Field of Search D13/40, 41, 99;
174/52 R, 52 PE, 52 S; 357/30, 56, 58, 72, 74

[56] **References Cited**

U.S. PATENT DOCUMENTS

3,482,198 12/1969 Hopper, Jr. 357/74 X
4,126,882 11/1978 Carson et al. 357/74

4,131,911 12/1978 Fujine et al. 357/74

OTHER PUBLICATIONS

Electronic Design, 11-11-1982, p. 198, Vactec, Inc. Photoconductors and p. 221, RCA Photodiode.

Primary Examiner—Susan J. Lucas
Attorney, Agent, or Firm—Sughrue, Mion, Zinn, Macpeak & Seas

[57] **CLAIM**

The ornamental design for photodiode, as shown and described.

DESCRIPTION

FIG. 1 is a front, top and right side perspective view of a photodiode showing my new design;
FIG. 2 is a front elevational view thereof;
FIG. 3 is a rear elevational view thereof;
FIG. 4 is a top plan view thereof; and
FIG. 5 is a right side elevational view thereof; the opposite side being a mirror image thereof.

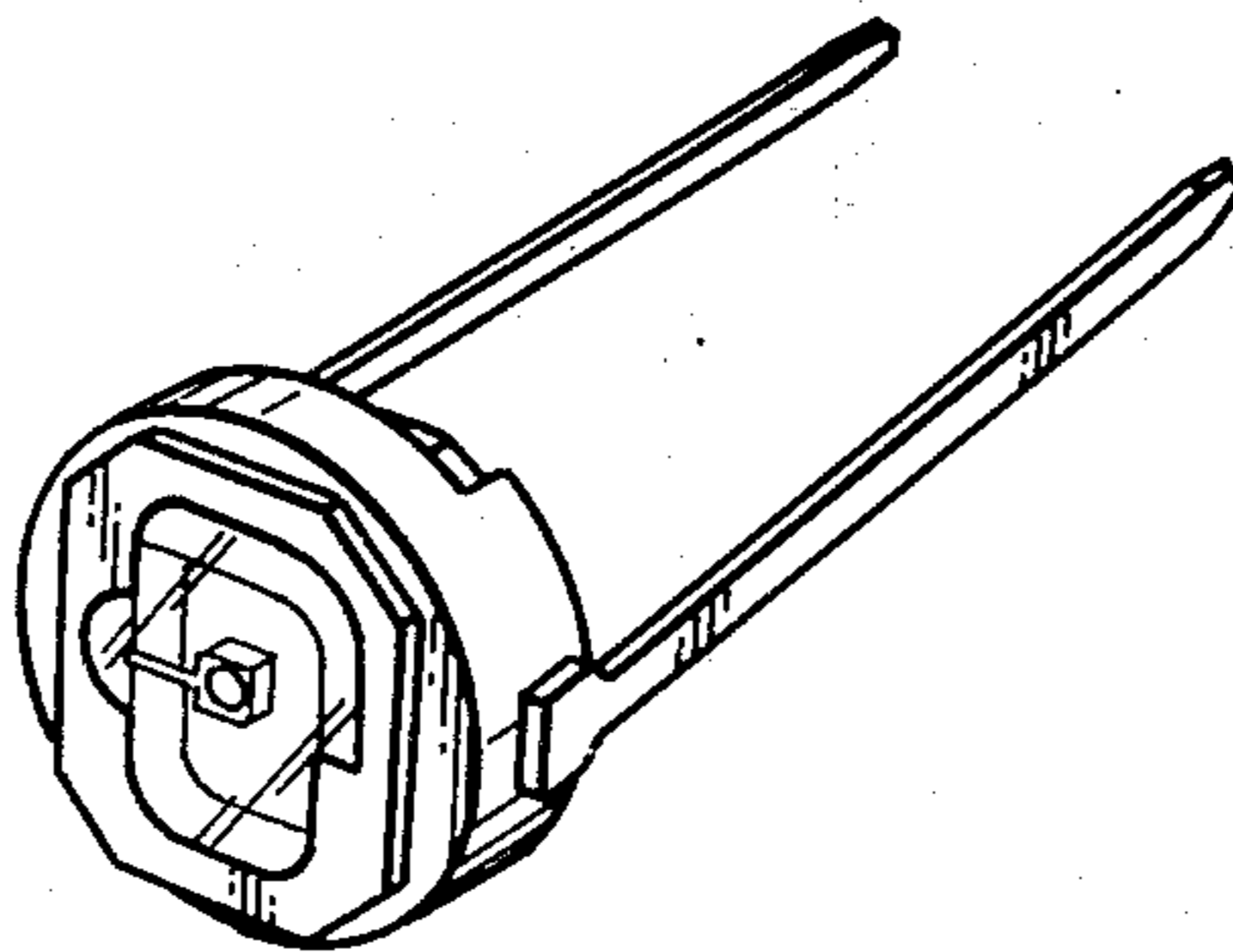


Fig. 1

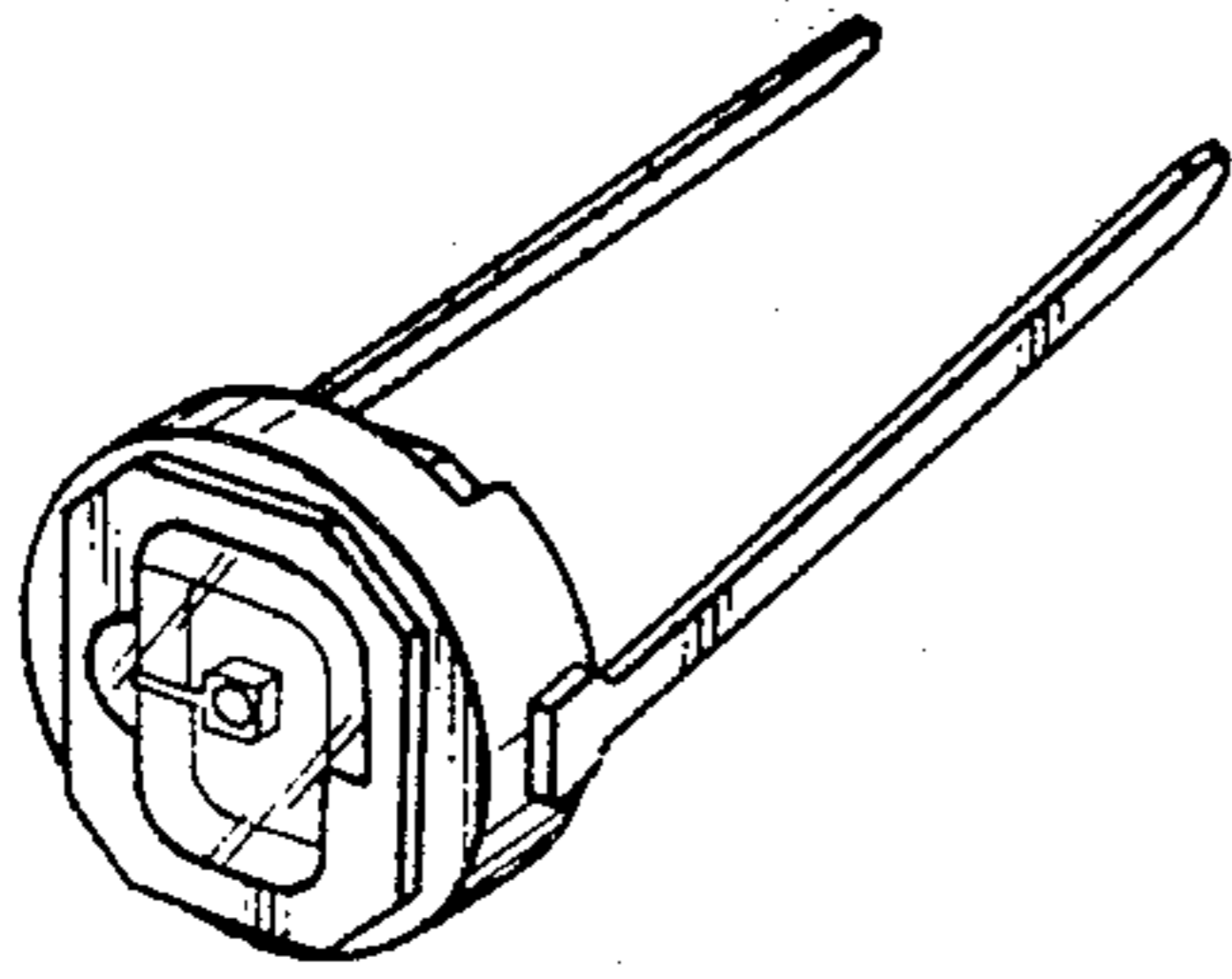


Fig. 2

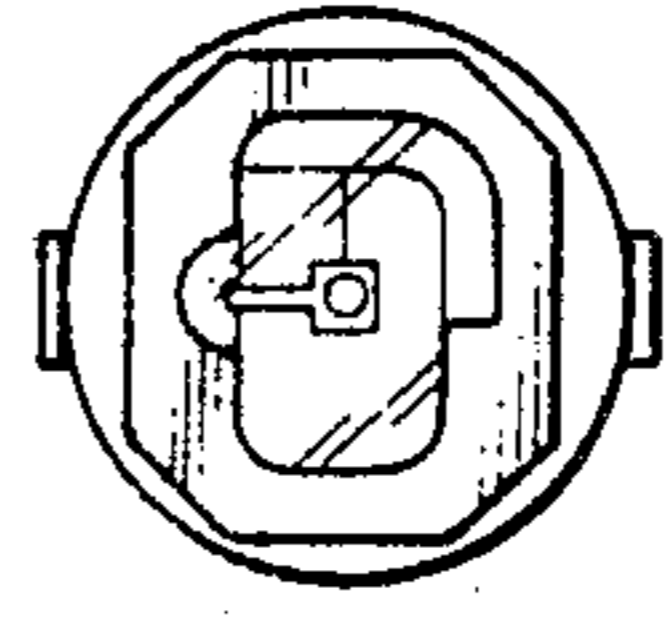


Fig. 3

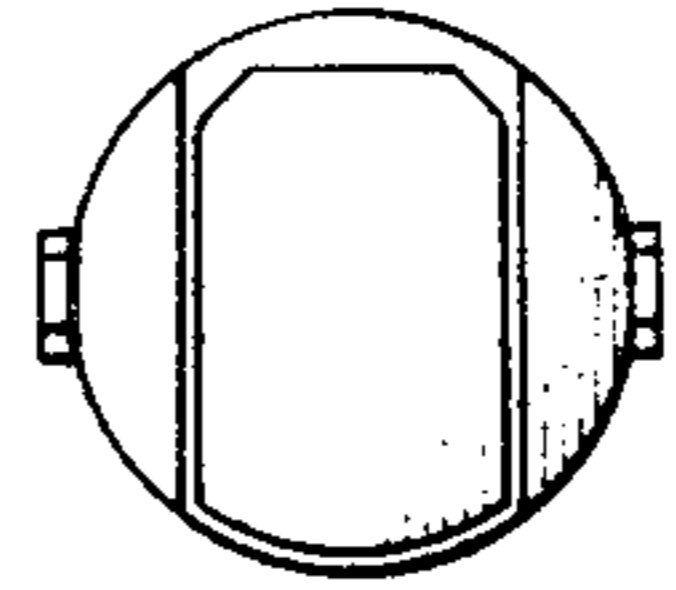


Fig. 4

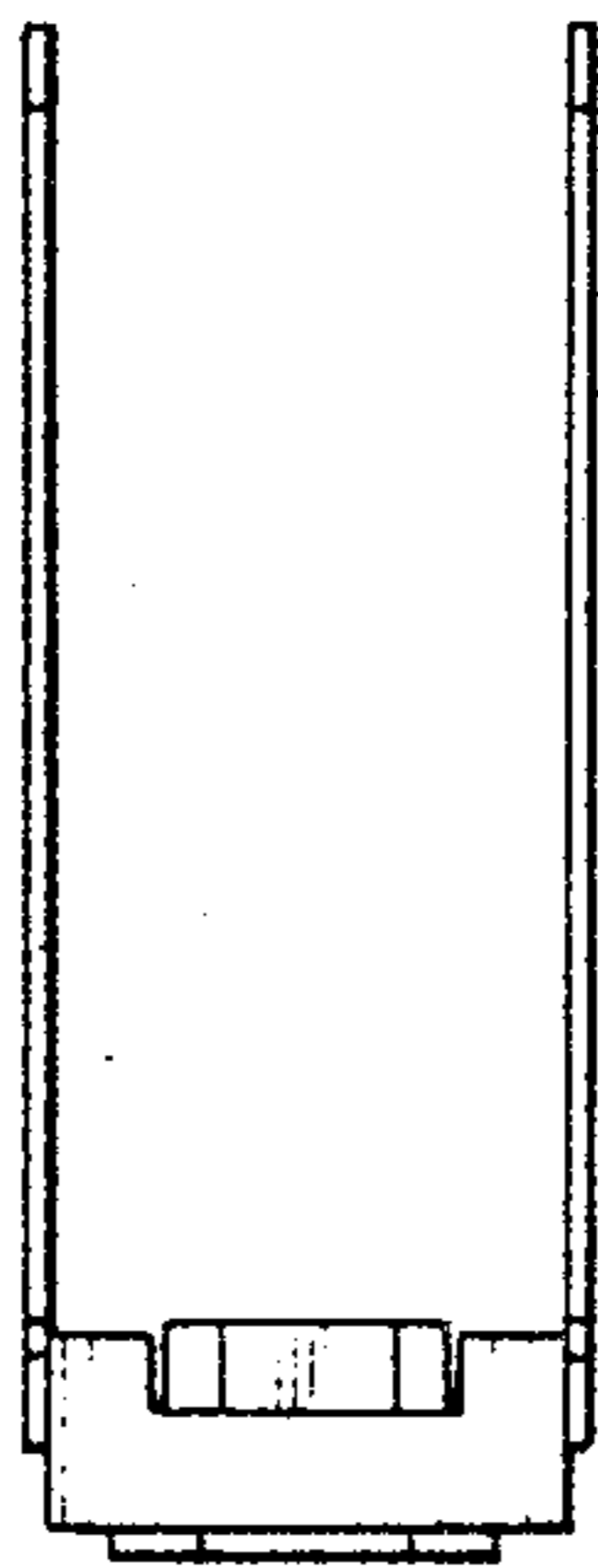


Fig. 5

