

[54] BOX FOR CIRCUIT BOARDS

[75] Inventor: Allan Hakanen, Turku, Finland

[73] Assignee: Vaasanmylly Oy, Turku, Finland

[\*\*] Term: 14 Years

[21] Appl. No.: 674,603

[22] Filed: Nov. 26, 1984

[30] Foreign Application Priority Data

Jun. 8, 1984 [FI] Finland ..... 586-84

[52] U.S. Cl. .... D13/41

[58] Field of Search ..... D13/40-41,

D13/99; D34/40, 45; D6/432, 440;

206/328-329, 332, 334, 521-522, 523, 593;

264/45.3; 269/903; 150/52 F; D3/30.1;

D9/423-424, 426, 414, 432; 361/390-391, 415,

331-332, 334, 346, 380; 220/222; D14/114

[56] References Cited

U.S. PATENT DOCUMENTS

D. 260,602 9/1981 O'Donnal ..... D34/45

D. 276,429 11/1984 Pridgen ..... D13/41

4,023,691 5/1977 Perel ..... 269/903  
4,478,331 10/1984 Ruin ..... 206/328

OTHER PUBLICATIONS

Allied Electronics, 1975 Engineering Manual & Purchasing Guide, No. 750, p. 63, Universal Printed Circuit Card Rack.

Primary Examiner—James M. Gandy

Assistant Examiner—Ruth E. Takemoto

Attorney, Agent, or Firm—Scully, Scott, Murphy & Presser

[57] CLAIM

The ornamental design for a box for circuit boards, as shown and described.

DESCRIPTION

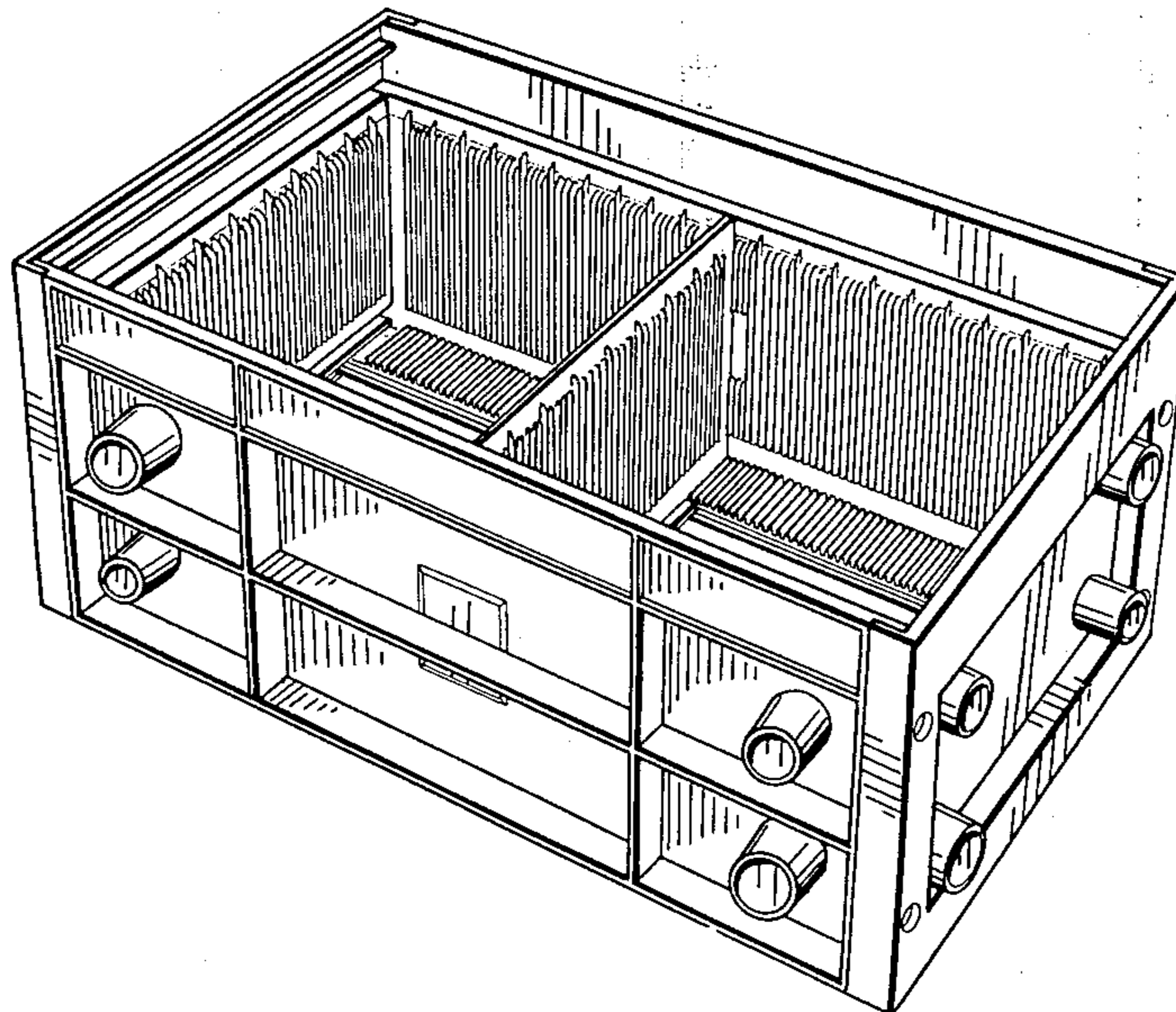
FIG. 1 is a top, front and end perspective view of a box for circuit boards showing my new design;

FIG. 2 is a top plan view thereof;

FIG. 3 is a bottom plan view thereof;

FIG. 4 is a front elevational view thereof, the rear view being identical; and

FIG. 5 is an end elevational view thereof, the other end being identical.



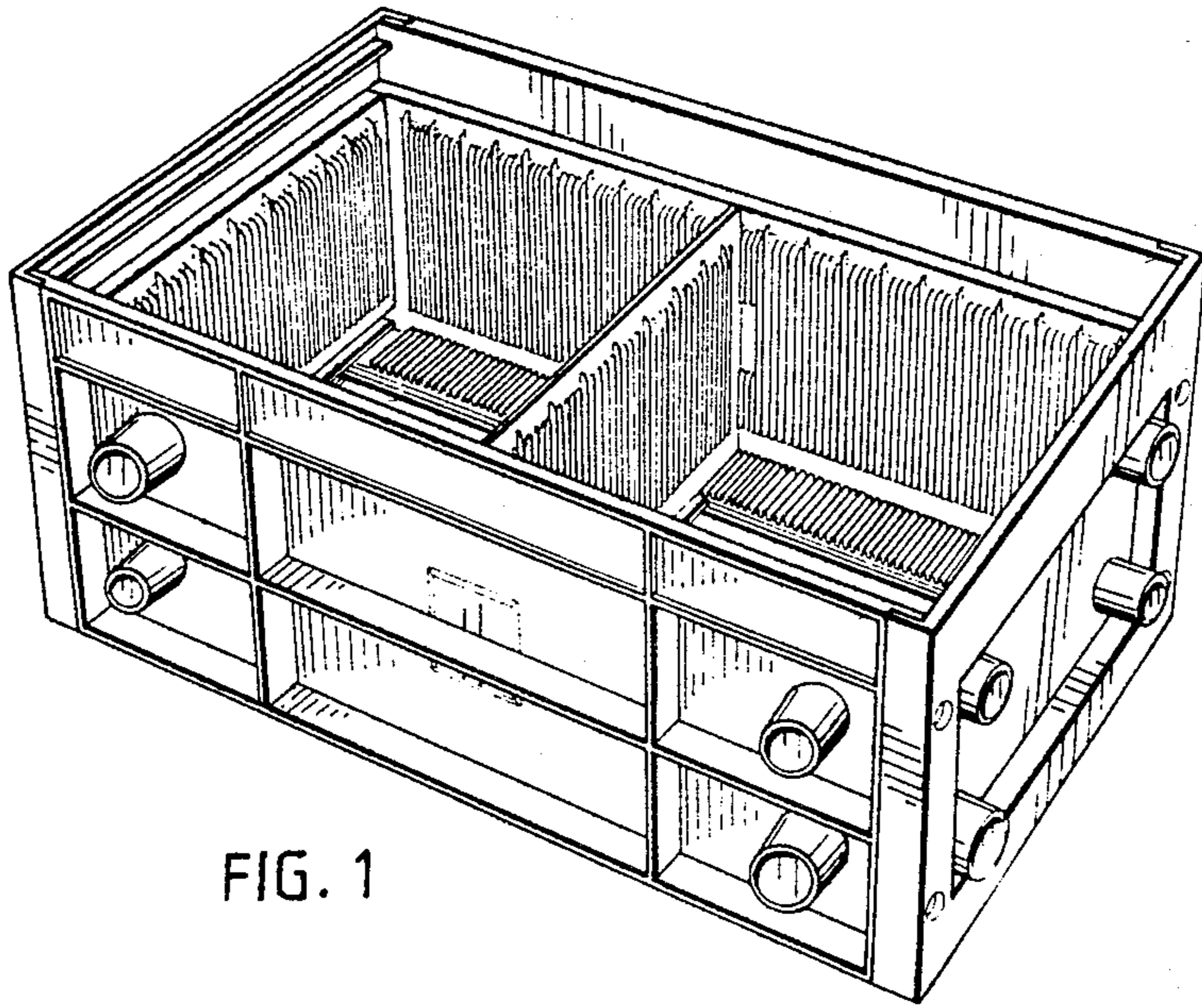


FIG. 1

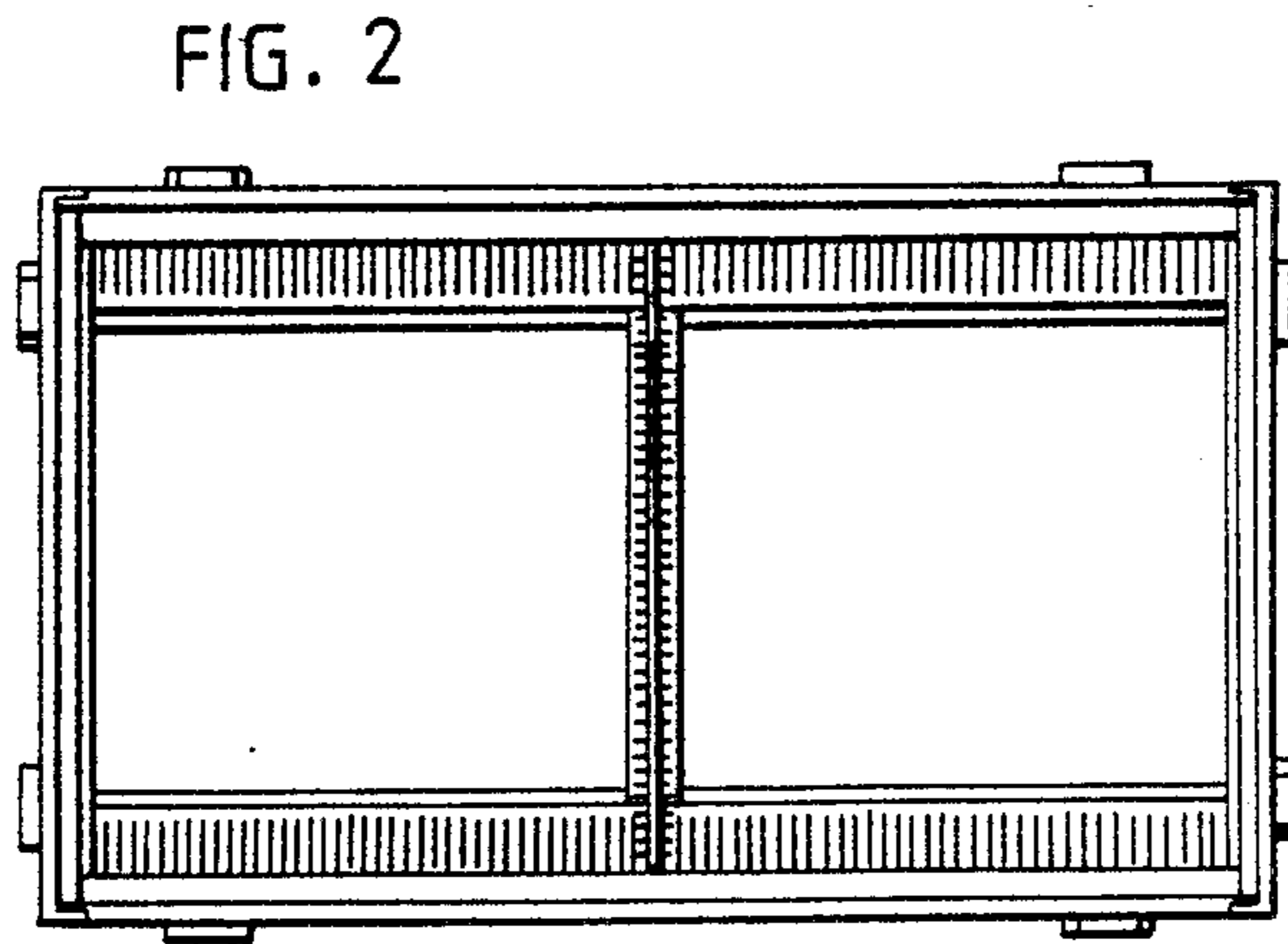


FIG. 2

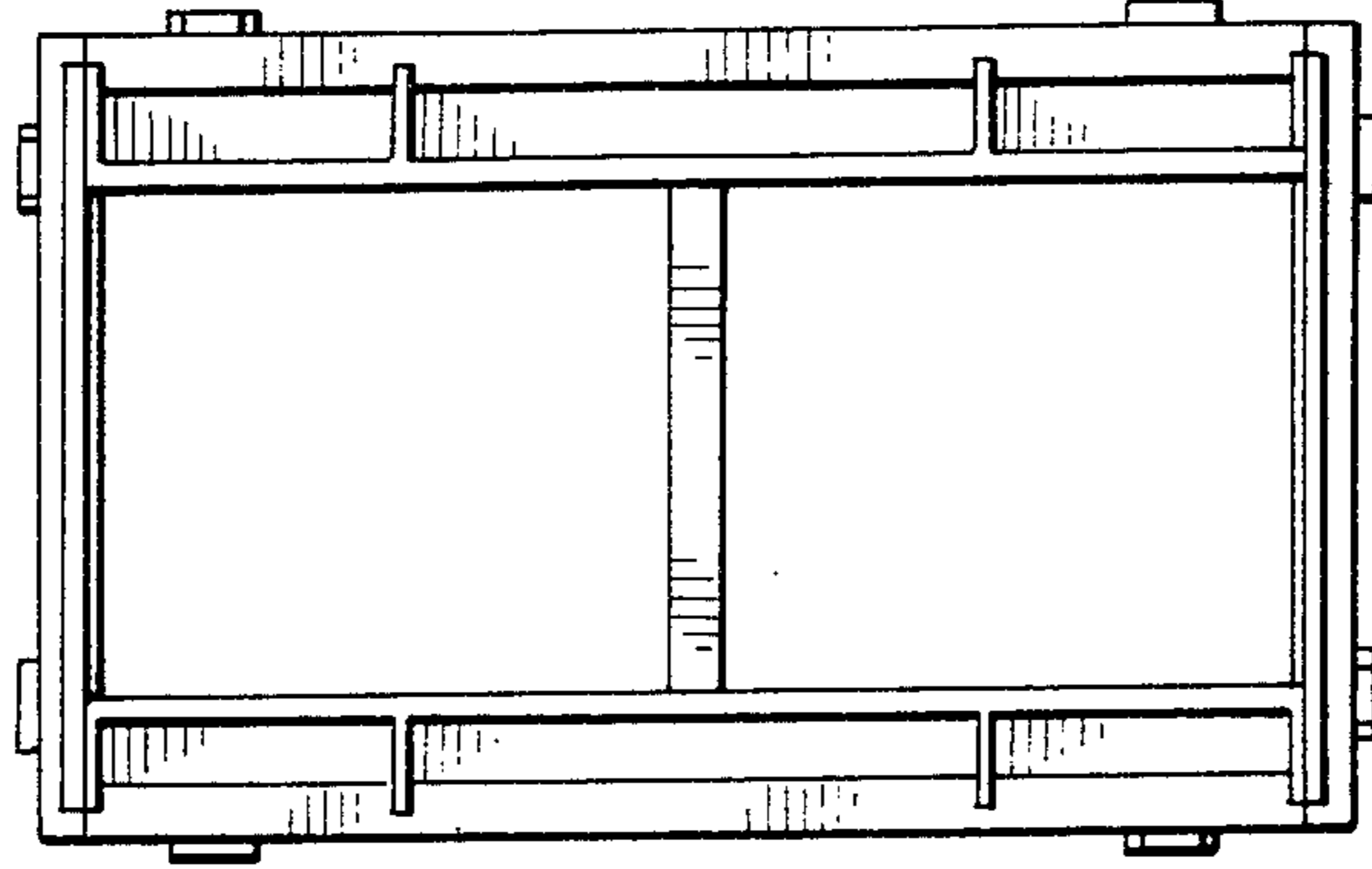


FIG. 3

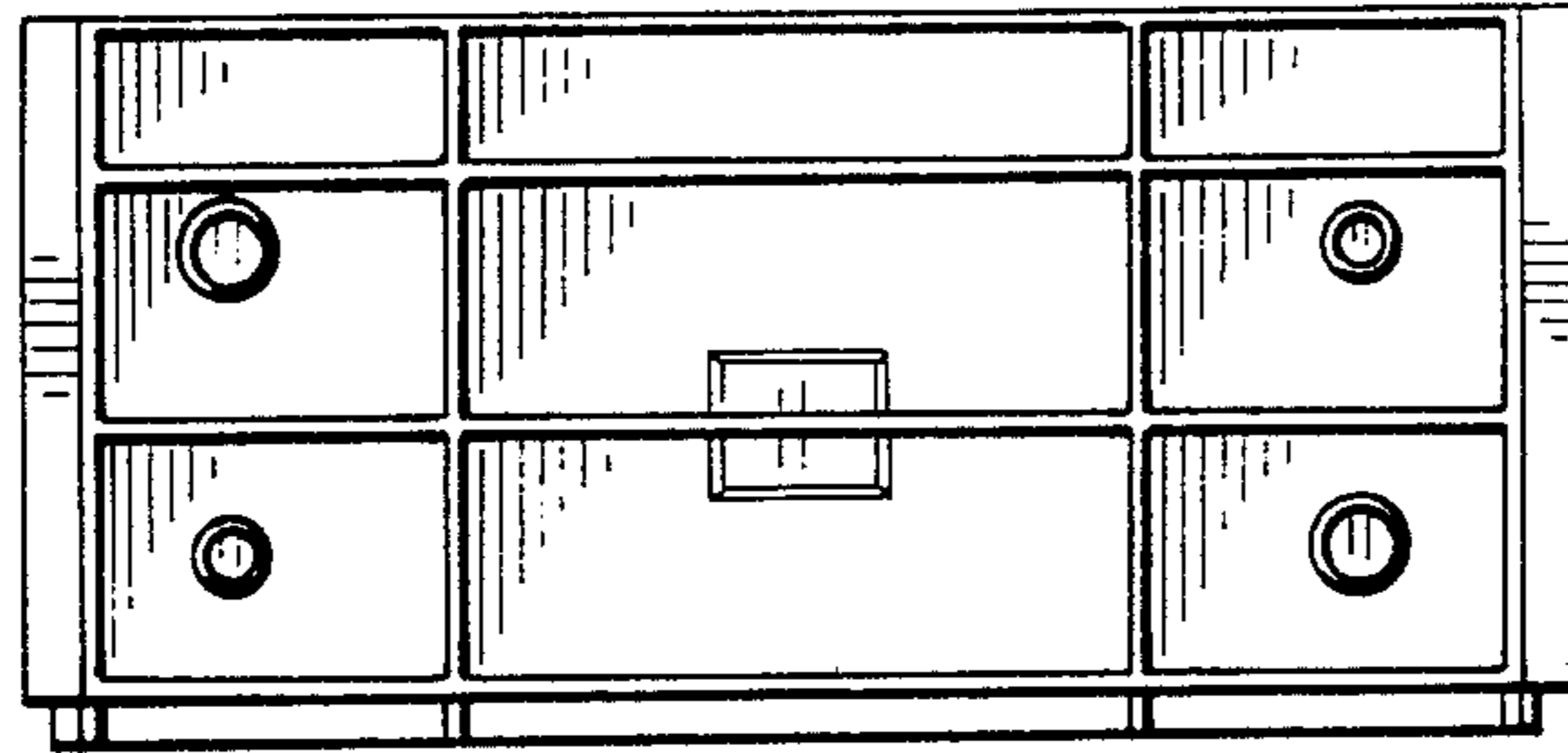


FIG. 4

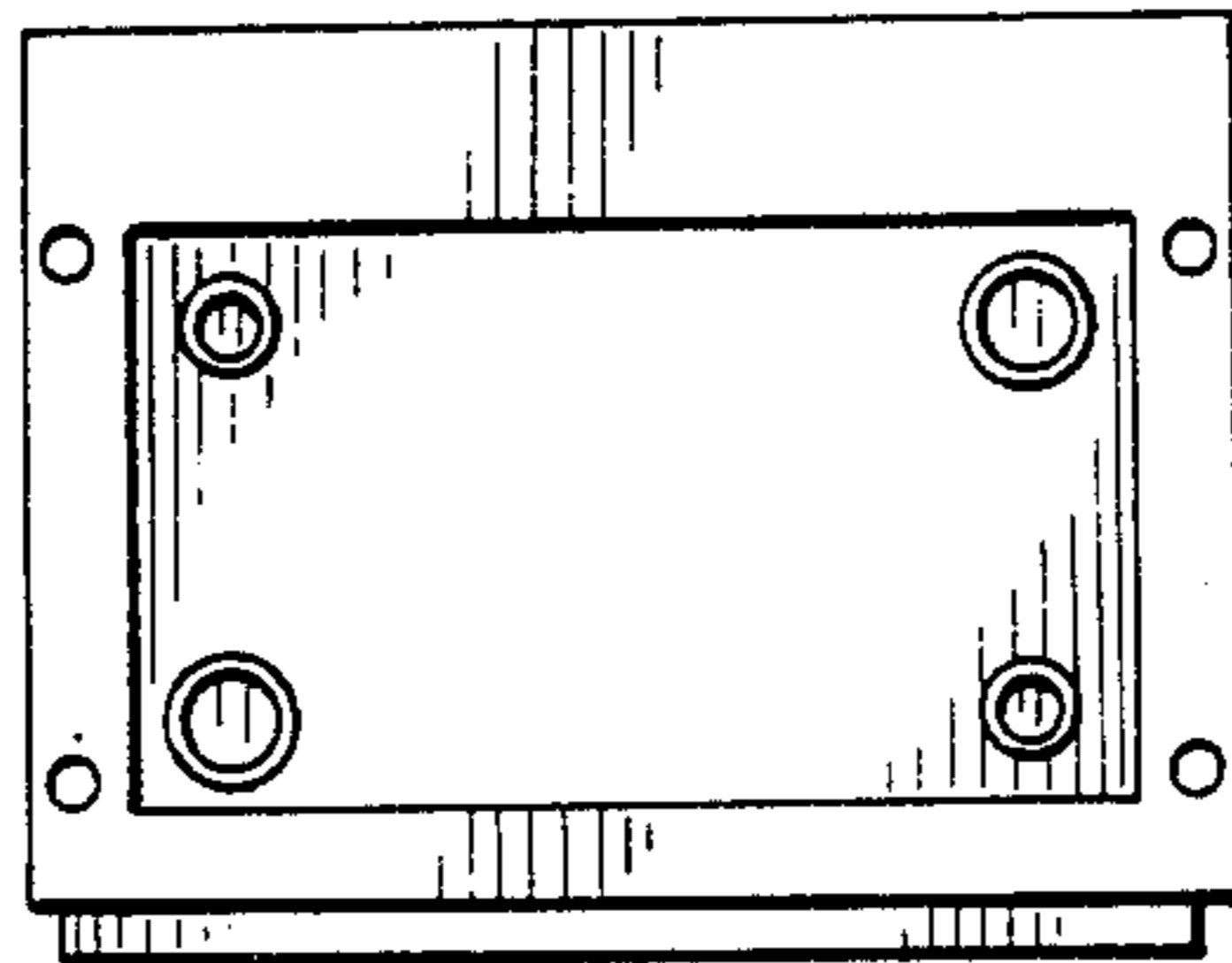


FIG. 5