

[54] **WIRE CHANNEL**

[75] **Inventor: David W. Bramwell, Clwyd, Wales**

[73] **Assignee: EGA Limited, United Kingdom**

[**] **Term: 14 Years**

[21] **Appl. No.: 641,496**

[22] **Filed: Aug. 15, 1984**

[30] **Foreign Application Priority Data**

Jun. 26, 1984 [GB] United Kingdom 1 020 641

[52] **U.S. Cl. D13/13**

[58] **Field of Search D13/13, 24, 25, 26, D13/28, 29, 30, 31; 174/48, 72 A, 68 R, 68 C, 73 R, 74 R, 74 A, 76, 77, 82, 93, 98, 101; 138/151, 156, 157, 162, 163, 166, 168**

[56] **References Cited**

U.S. PATENT DOCUMENTS

D. 269,968 8/1983 Rodriguez Moura D13/13

2,292,395 8/1942 O'Brien 174/101
3,302,350 2/1967 Brown et al. 174/101
4,406,379 9/1983 Anderson et al. 138/156 X
4,589,449 5/1986 Bramwell 174/68 C X

FOREIGN PATENT DOCUMENTS

2406327 6/1979 France 138/166
1021871 3/1966 United Kingdom 174/101

Primary Examiner—Susan J. Lucas

Assistant Examiner—C. E. Heflin

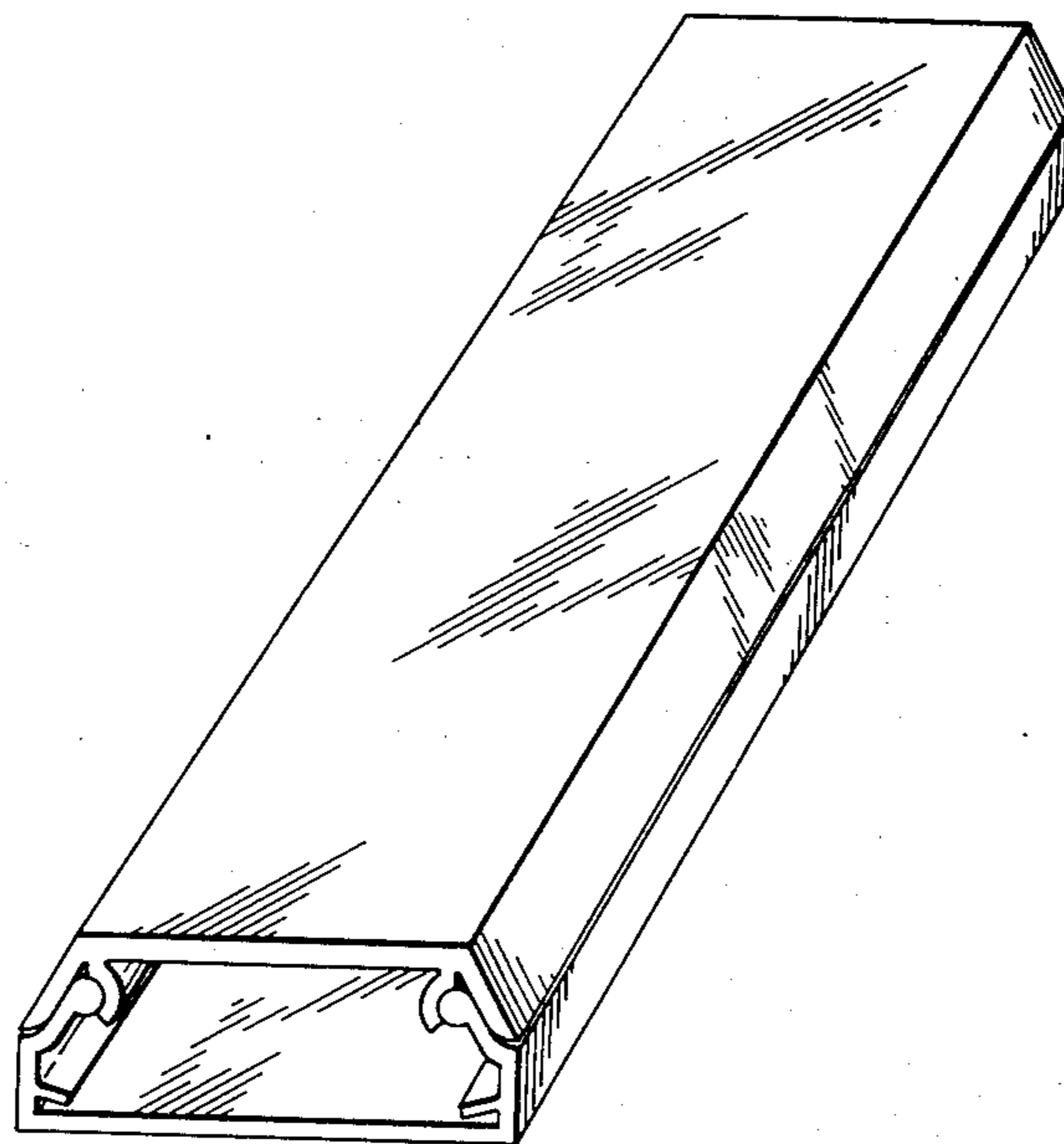
Attorney, Agent, or Firm—Andrus, Scales, Starke & Sawall

[57] **CLAIM**

The ornamental design for a wire channel, as shown and described.

DESCRIPTION

FIG. 1 is a perspective view of the wire channel taken from the side and one end showing my new design; FIG. 2 is an opposite end elevational view thereof.



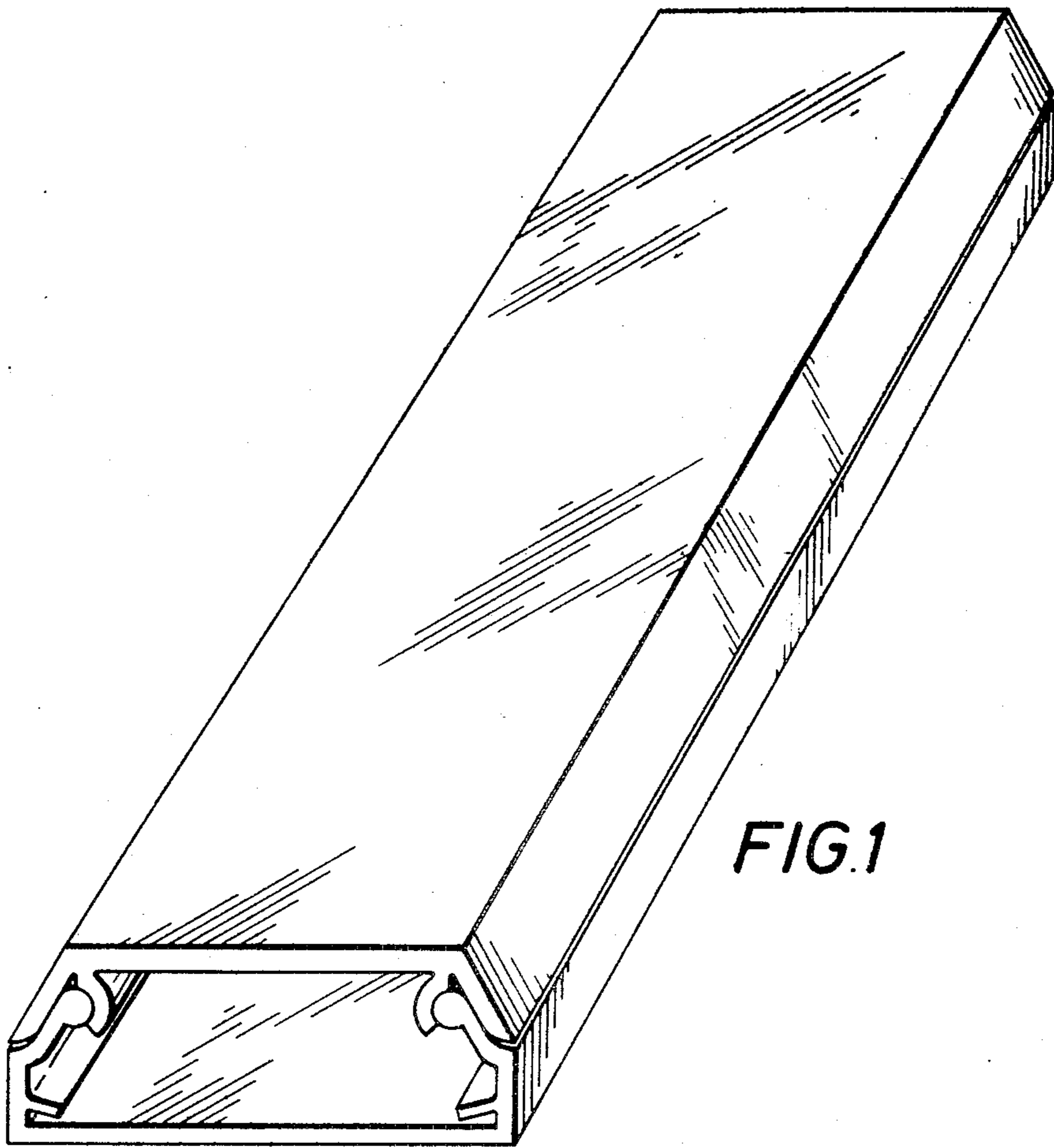


FIG. 2

