

[54] POWER SUPPLY HOUSING

[75] Inventor: Rob J. Gemmell, Santa Clara, Calif.

[73] Assignee: Apple Computer, Inc., Cupertino, Calif.

[**] Term: 14 Years

[21] Appl. No.: 602,465

[22] Filed: Apr. 20, 1984

[52] U.S. Cl. D13/11

[58] Field of Search D13/11-13, D13/35, 40-41, 99; D14/114; D10/46, 49, 75, 80, 96, 100-101, 103; 174/50, 65 R; 219/10.55 R, 10.55 B, 10.75; 361/189-190, 392-394, 333-334, 347, 356-357; 332/16 R, 17, 22, 10; 220/4 A, 4 R, 76; 429/151-154, 163, 178

[56] References Cited

U.S. PATENT DOCUMENTS

- D. 186,981 1/1960 Hughes D14/100
- D. 205,845 9/1966 Parriott et al. D13/32
- D. 220,696 5/1971 Lazzo D13/32
- D. 229,195 11/1973 Goodale et al. D13/11

- D. 231,540 4/1974 Muller et al. D13/11
- 2,880,262 3/1959 Bell et al. 174/50
- 4,120,545 10/1978 Happak et al. 174/50

FOREIGN PATENT DOCUMENTS

2414329 10/1975 Fed. Rep. of Germany 320/2

Primary Examiner—James M. Gandy

Assistant Examiner—Ruth E. Takemoto

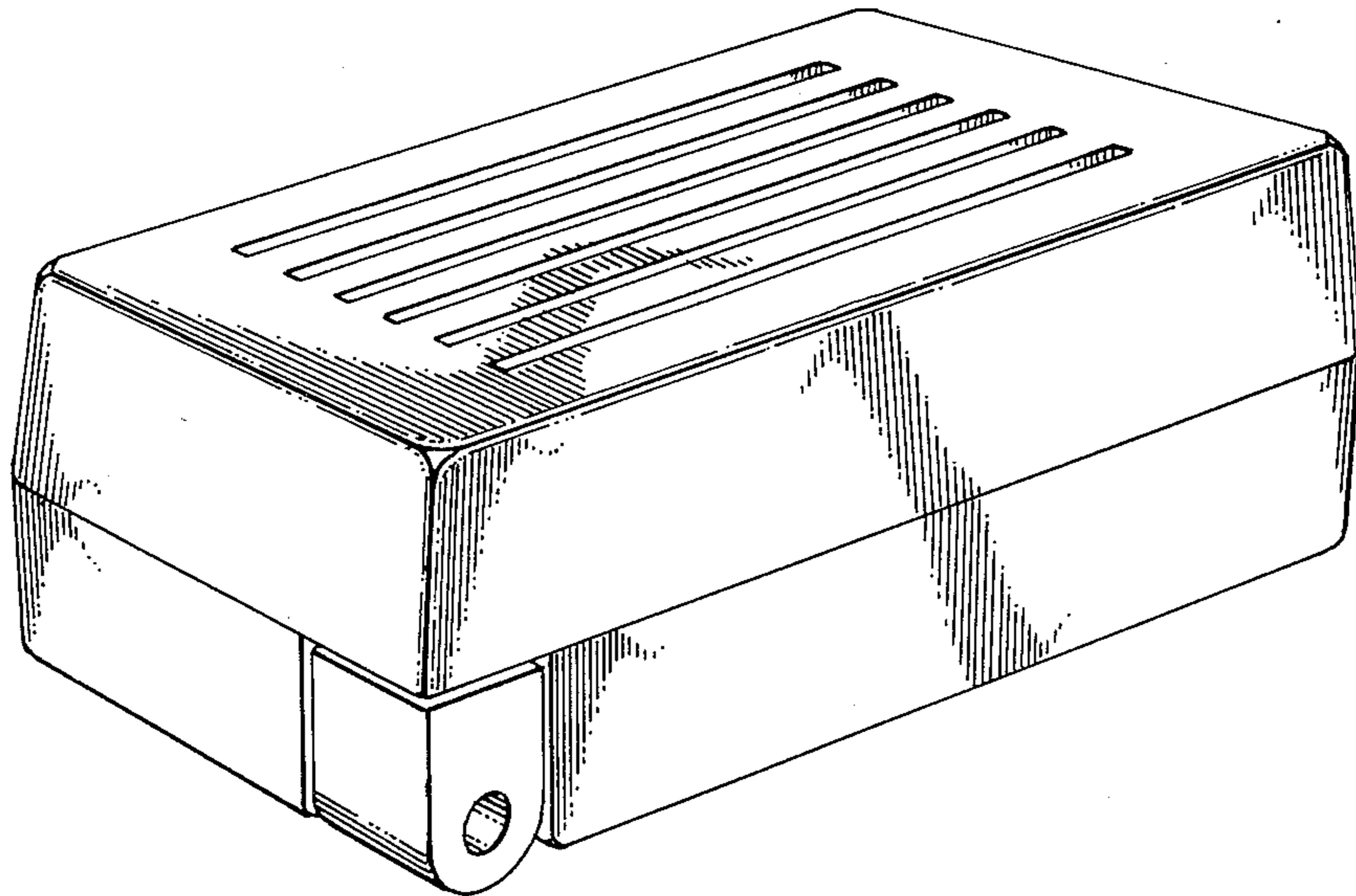
Attorney, Agent, or Firm—Blakely, Sokoloff, Taylor & Zafman

[57] CLAIM

The ornamental design for a power supply housing, substantially as shown.

DESCRIPTION

FIG. 1 is a perspective view of a power supply housing showing my new design;
 FIG. 2 is a top plan view thereof;
 FIG. 3 is a front elevational view thereof;
 FIG. 4 is a left side elevational view thereof;
 FIG. 5 is a right side elevational view thereof;
 FIG. 6 is a rear elevational view thereof; and
 FIG. 7 is a bottom plan view thereof.



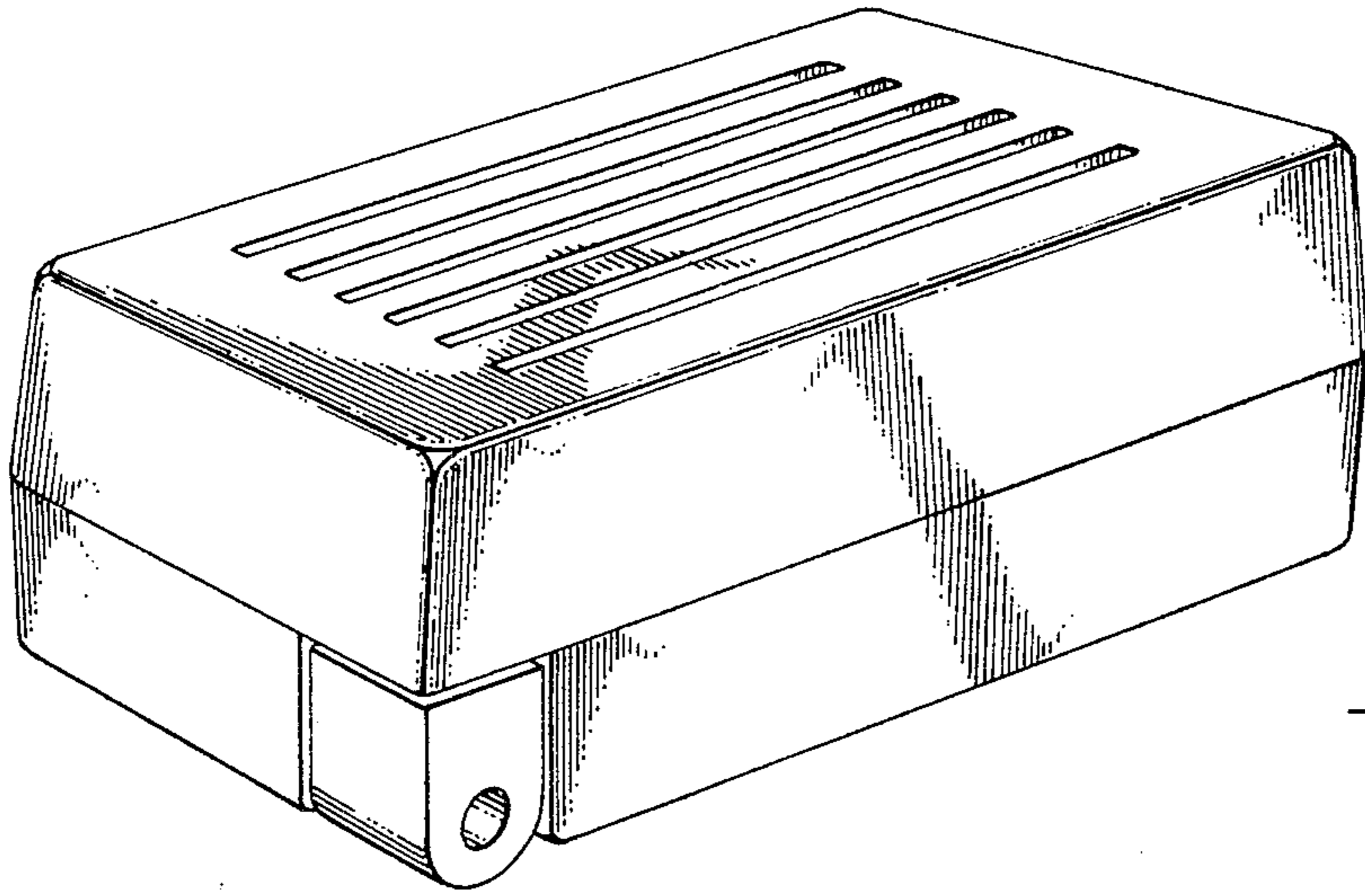


Fig. 1

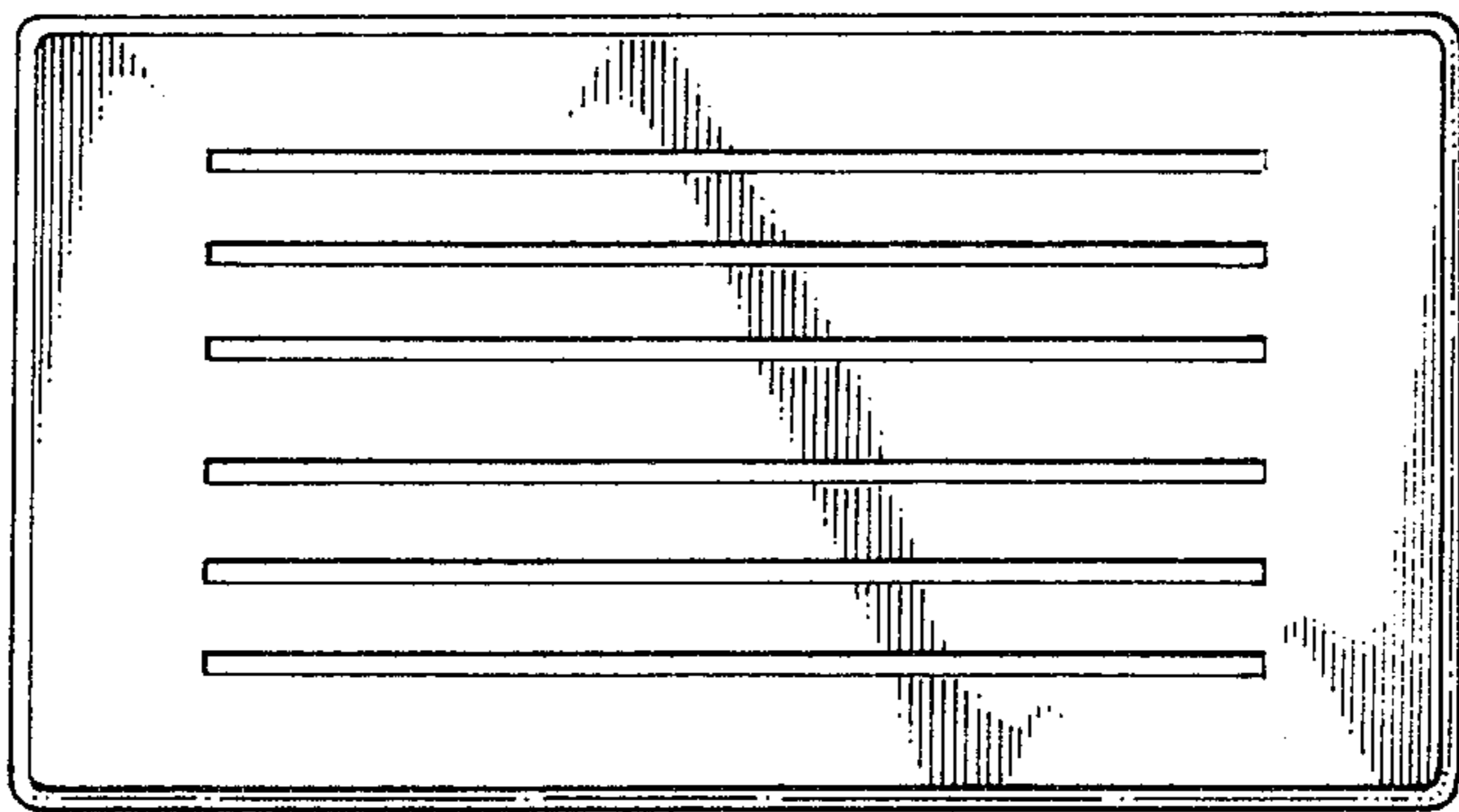


Fig. 2

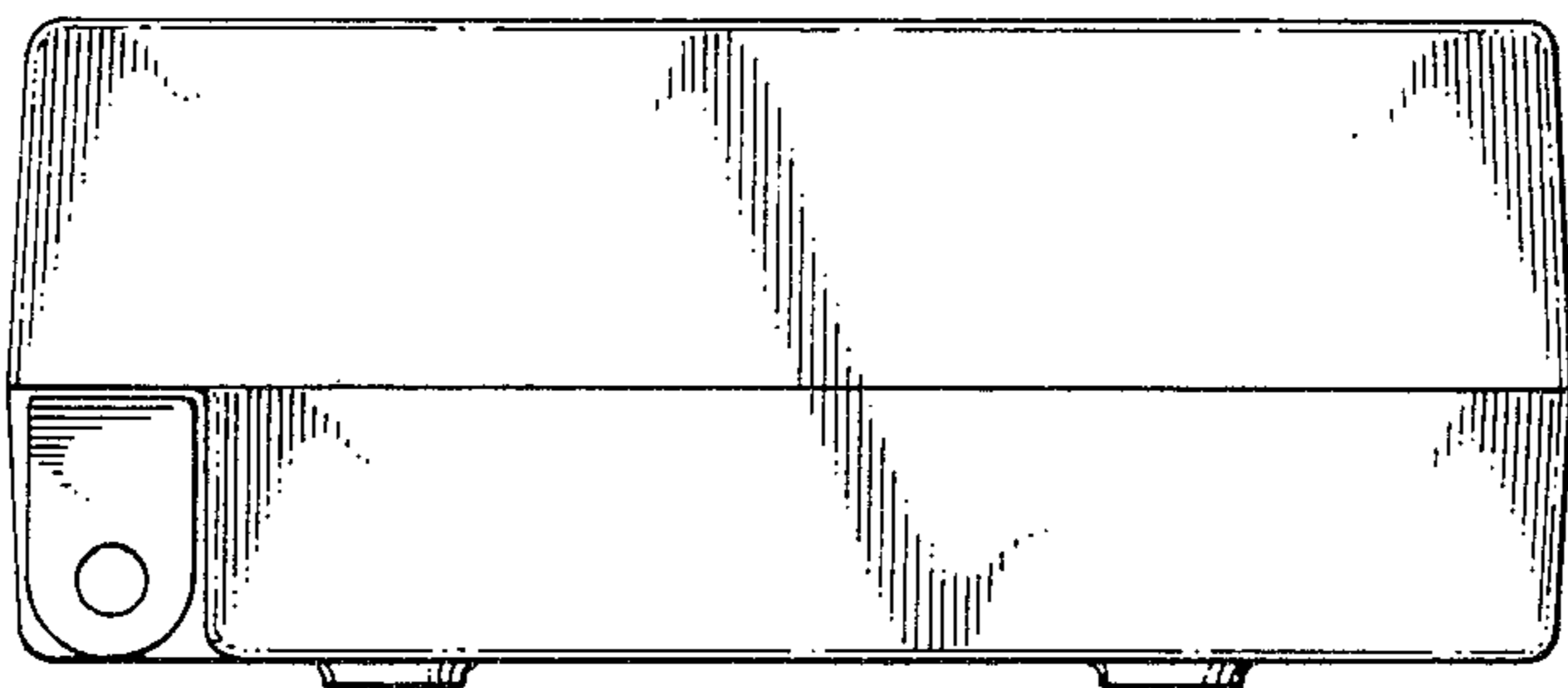


Fig. 3

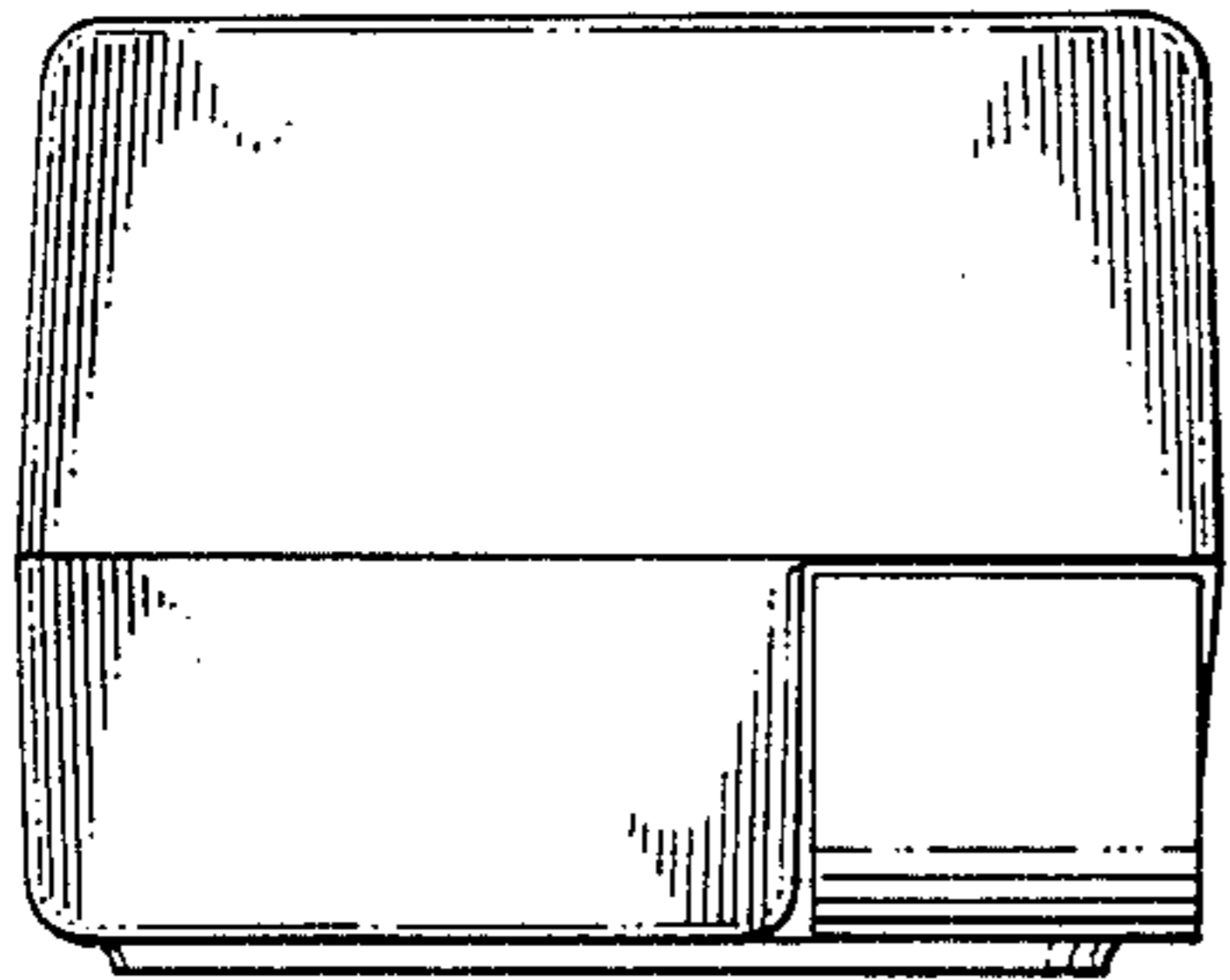


Fig. 4

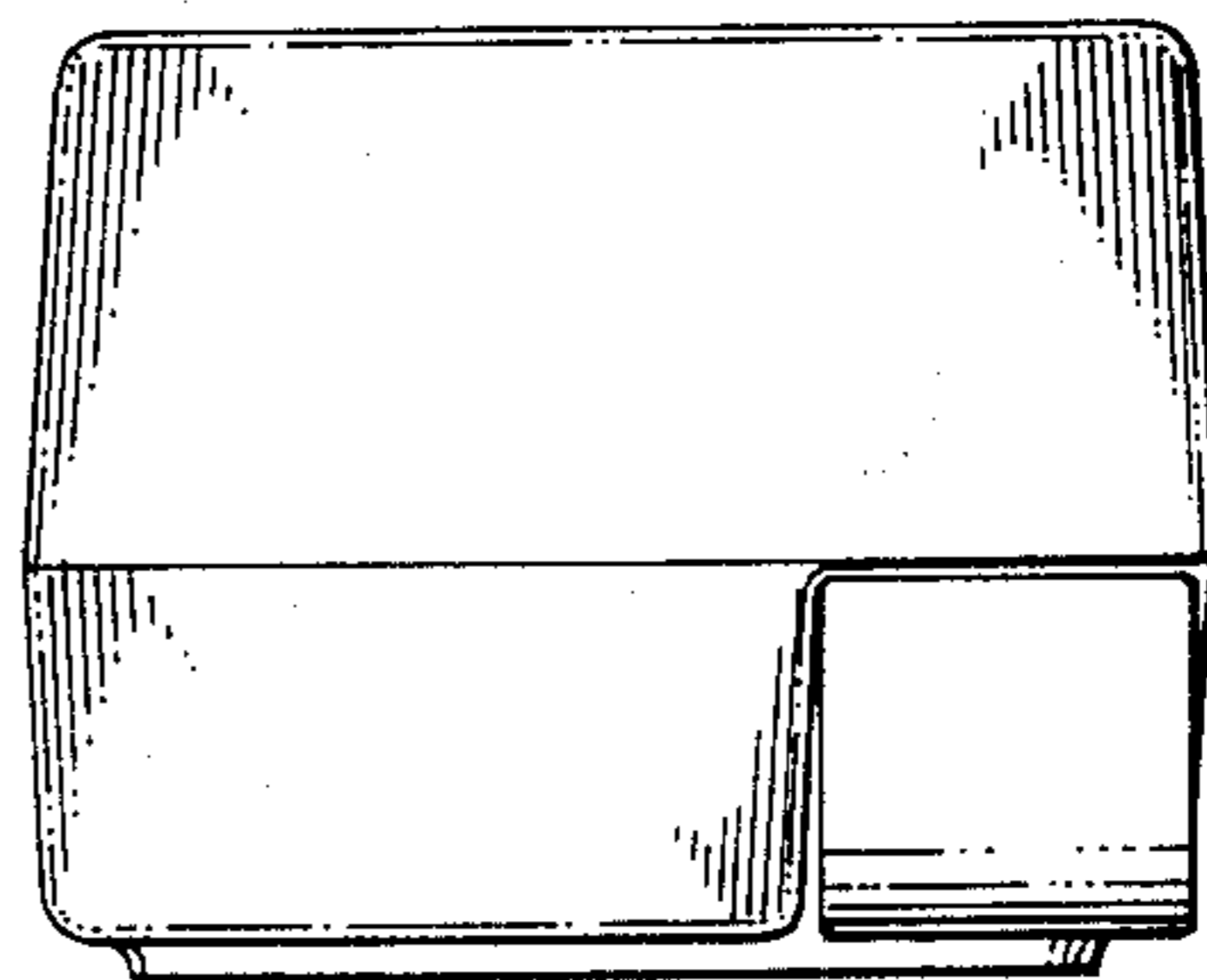


Fig. 5

Fig. 6

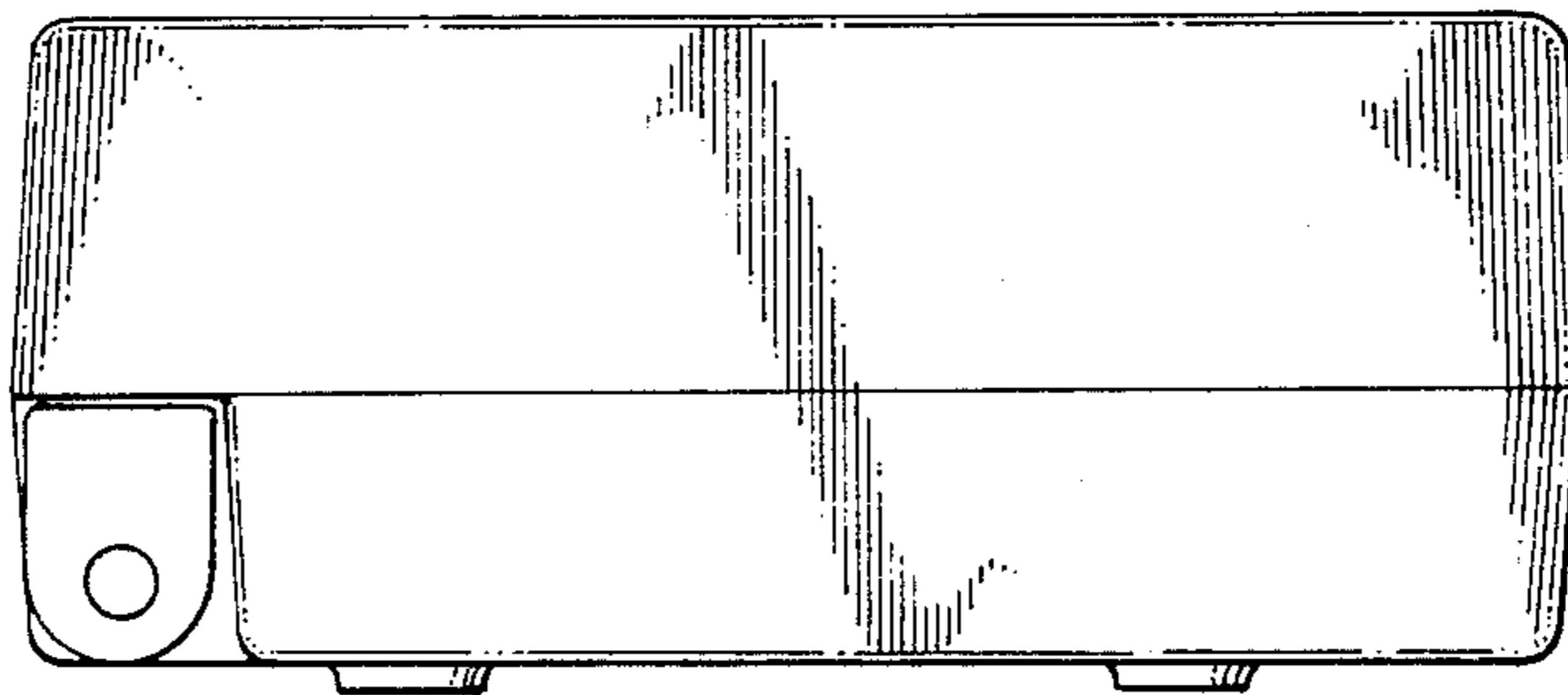


Fig. 7

