

# United States Patent [19]

Daykin et al.

[11] Patent Number: **Des. 288,797**

[45] Date of Patent: **\*\* Mar. 17, 1987**

[54] **STROLLER**

[75] Inventors: **Kevin J. Daykin, Hollowell; Frank R. Mortimer, Styvechale, both of England**

[73] Assignee: **Andrews Maclaren Ltd., England**

[\*\*] Term: **14 Years**

[21] Appl. No.: **580,245**

[22] Filed: **Feb. 15, 1984**

[30] **Foreign Application Priority Data**

Aug. 25, 1983 [GB] United Kingdom ..... 1 014 790

[52] U.S. Cl. .... **D12/129**

[58] Field of Search ..... D12/129, 130, 132, 133;  
280/642, 643, 644, 42, 647, 648, 649, 650;  
297/377, 250; D6/333

[56] **References Cited**

**U.S. PATENT DOCUMENTS**

D. 271,868 12/1983 Voytko et al. .... D12/129

D. 282,831 3/1986 Kain ..... D12/129  
4,026,448 5/1977 Lewis ..... D6/333

*Primary Examiner*—James M. Gandy  
*Assistant Examiner*—Kay H. Chin  
*Attorney, Agent, or Firm*—Parkhurst & Oliff

[57] **CLAIM**

The ornamental design for a stroller, as shown and described.

## DESCRIPTION

FIG. 1 is a perspective view of a stroller showing my new design;

FIG. 2 is a side elevation view thereof, the opposite side being a mirror image of that shown;

FIG. 3 is a front elevation view thereof;

FIG. 4 is a rear elevation view thereof;

FIG. 5 is a perspective view of a second embodiment of a stroller showing my new design;

FIG. 6 is a side elevation view of FIG. 5, the opposite side being a mirror image of that shown;

FIG. 7 is a front elevation of FIG. 5; and

FIG. 8 is a rear elevation view of FIG. 5.



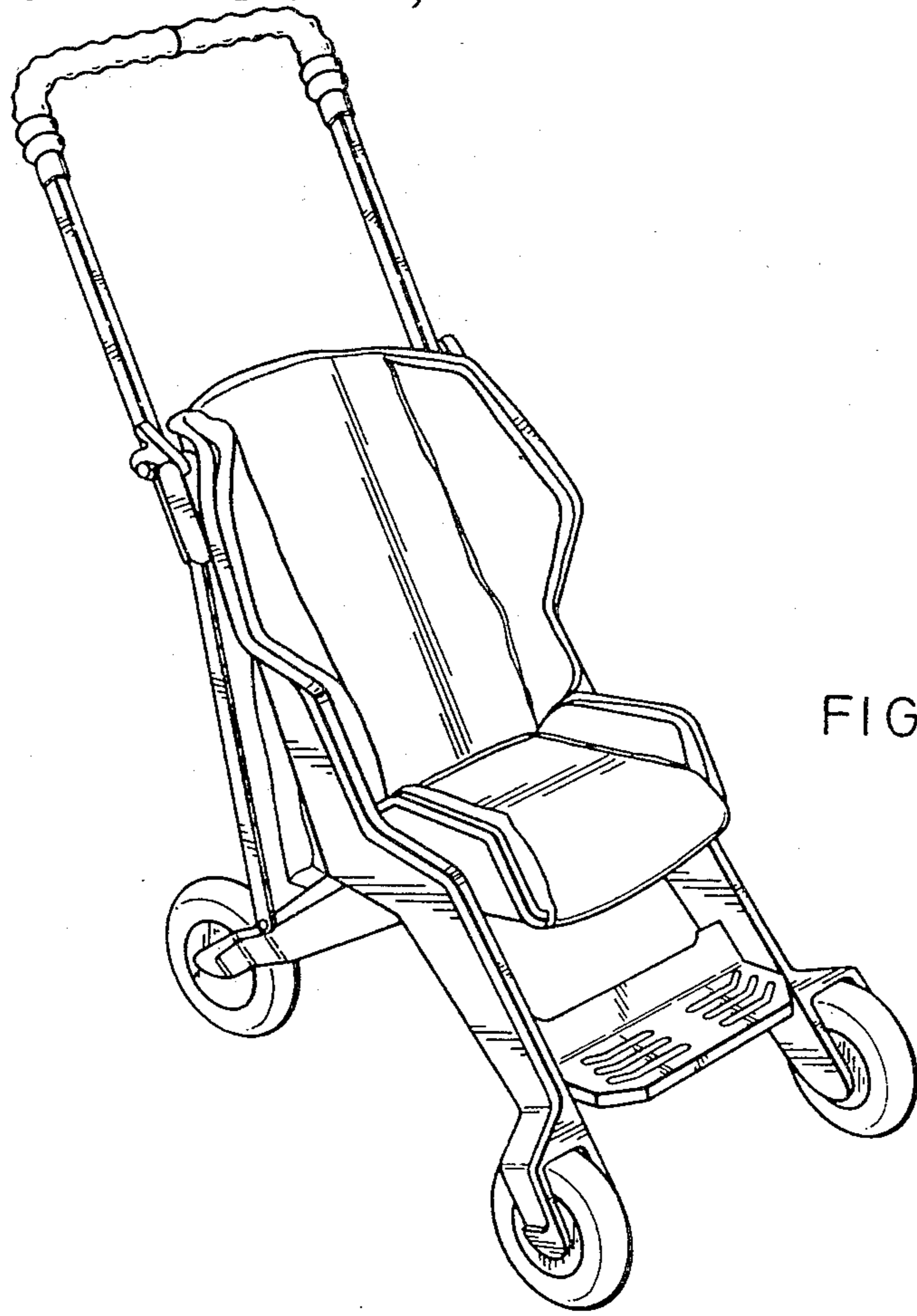


FIG. 1.

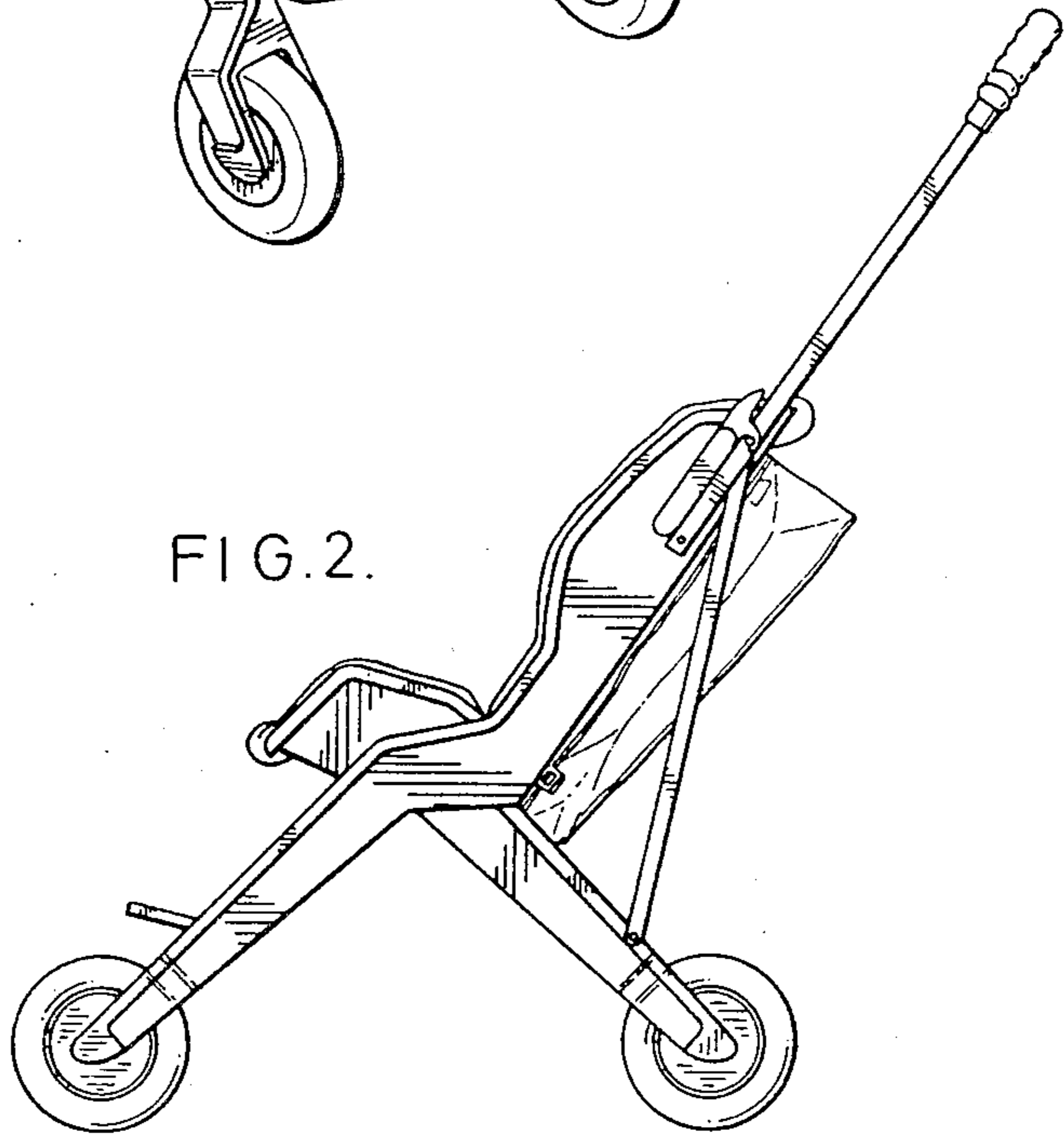


FIG. 2.

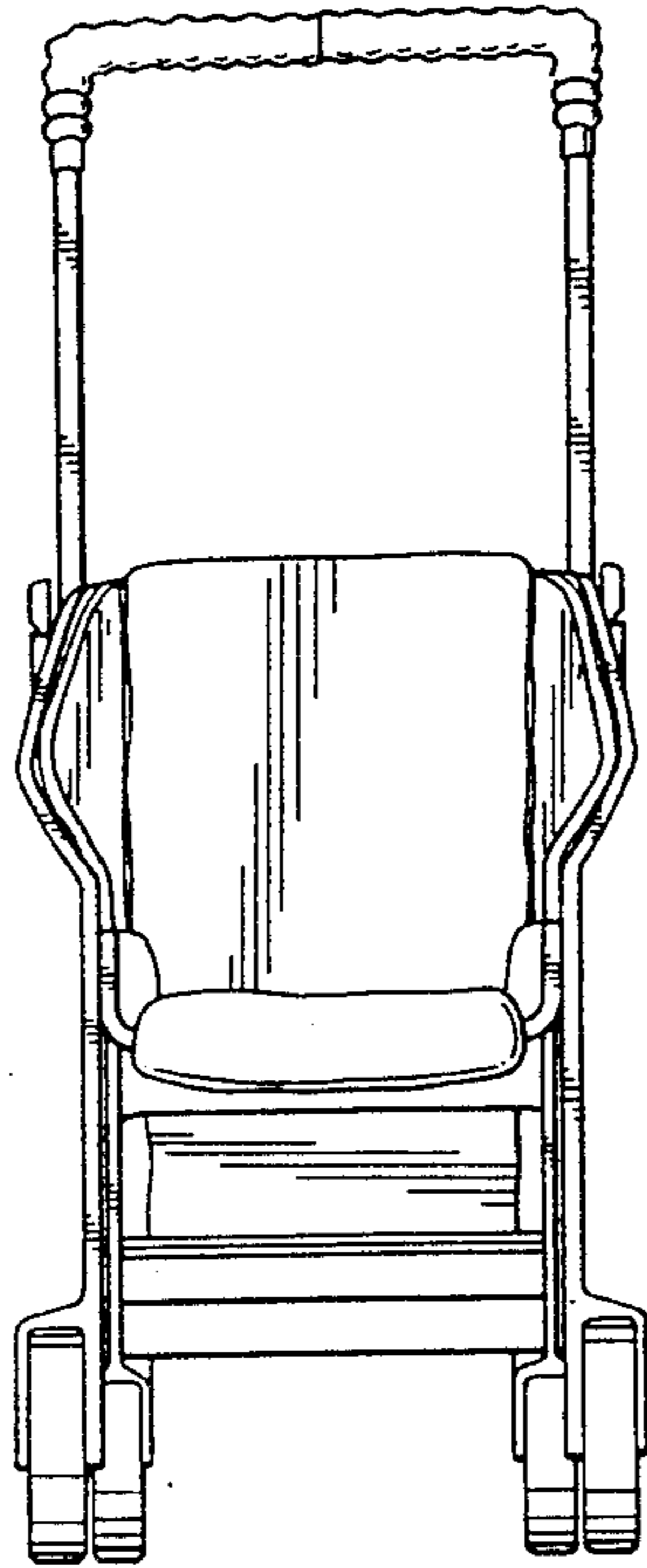


FIG. 3.

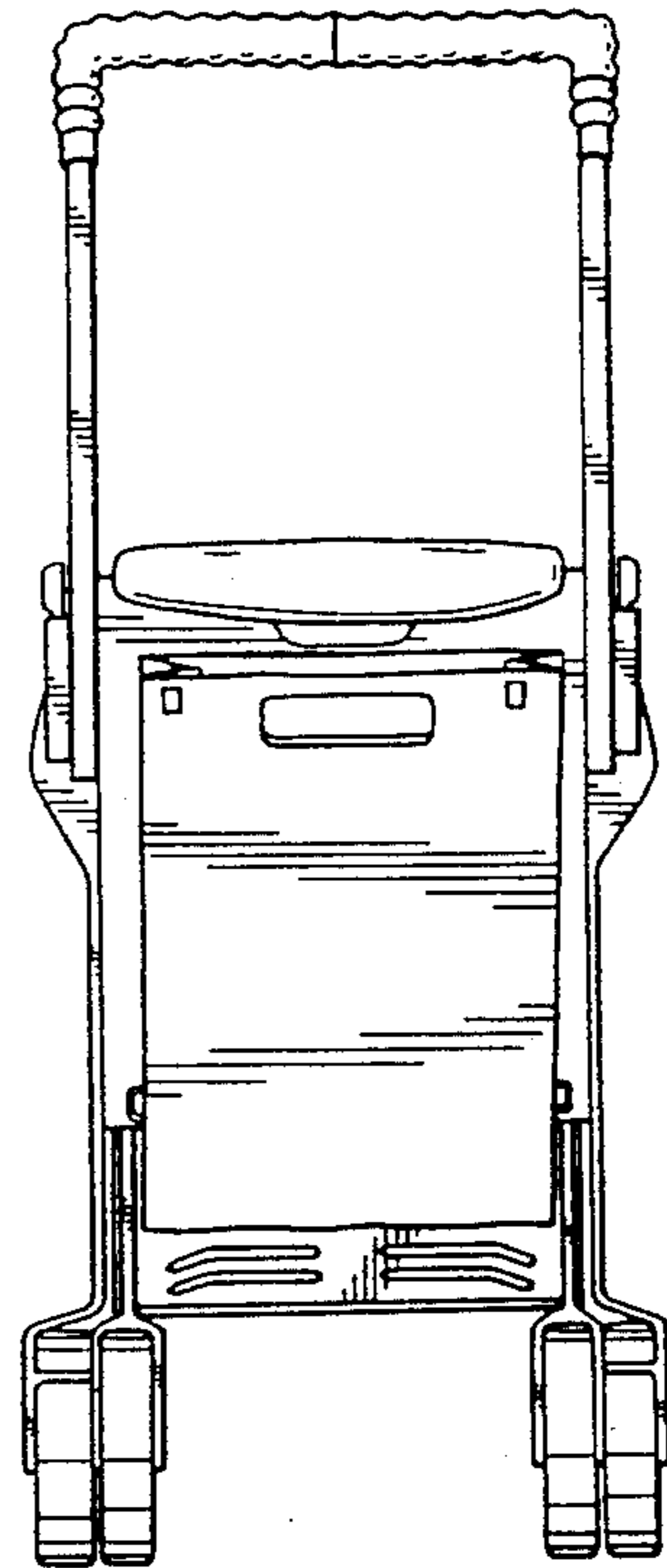


FIG. 4.

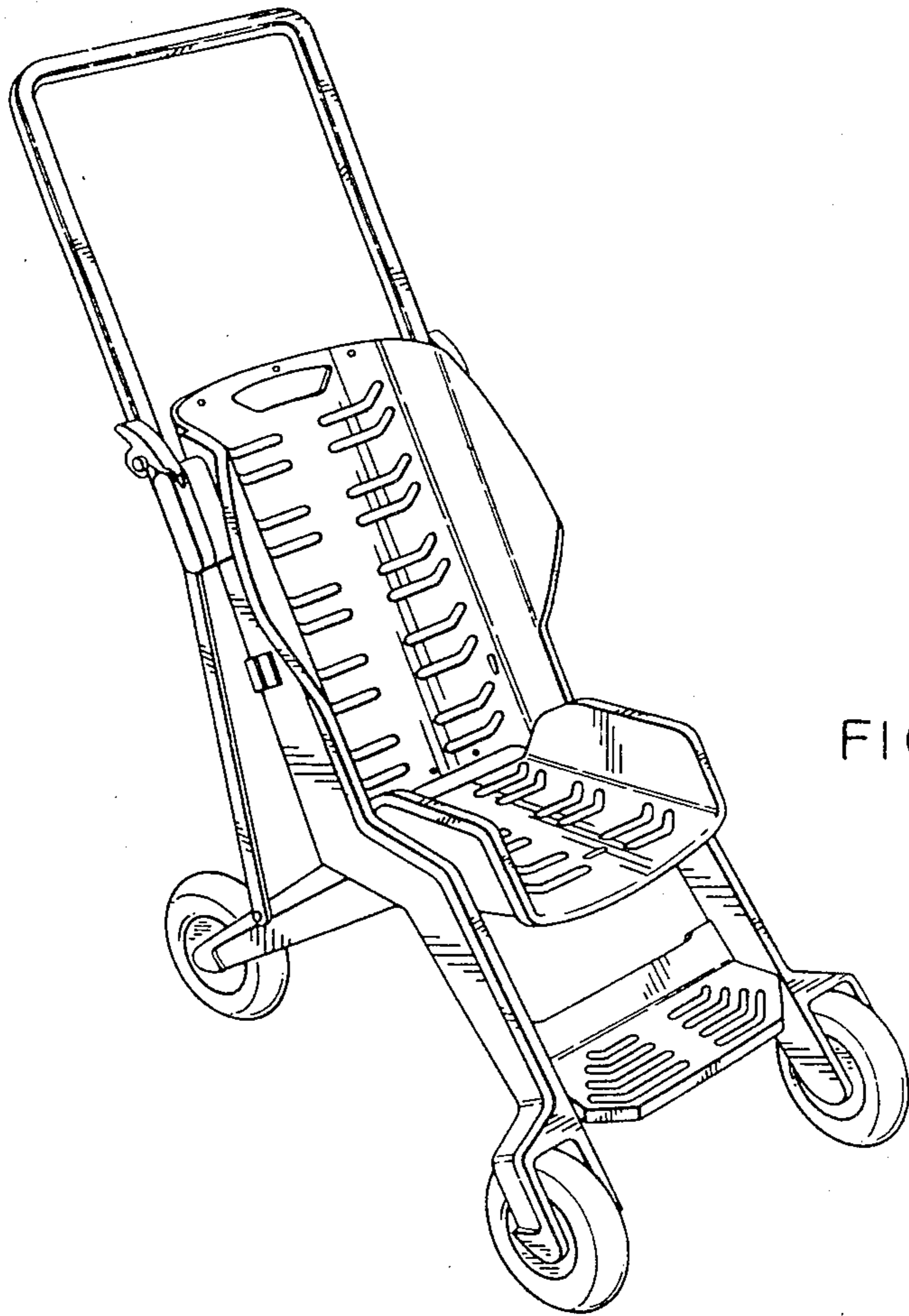


FIG. 5.

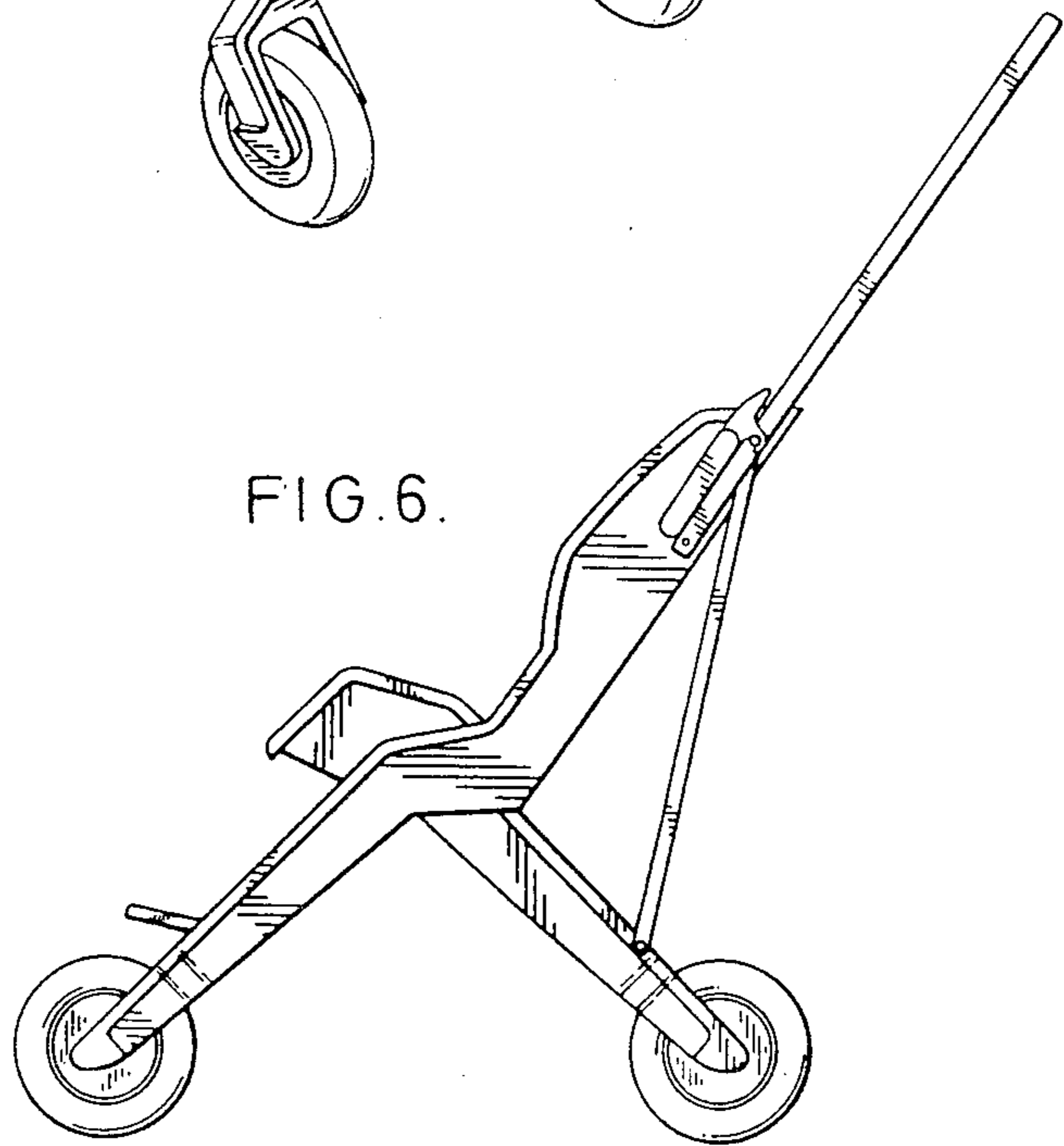


FIG. 6.

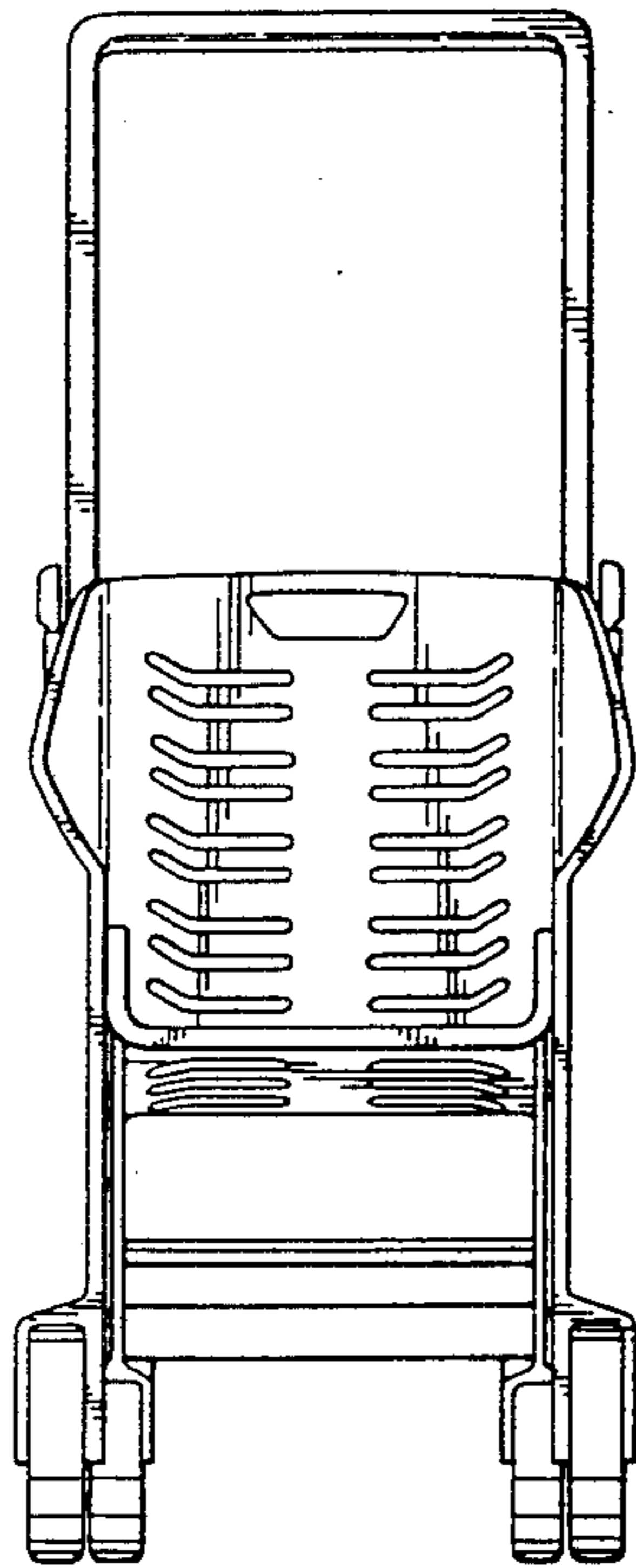


FIG. 7.

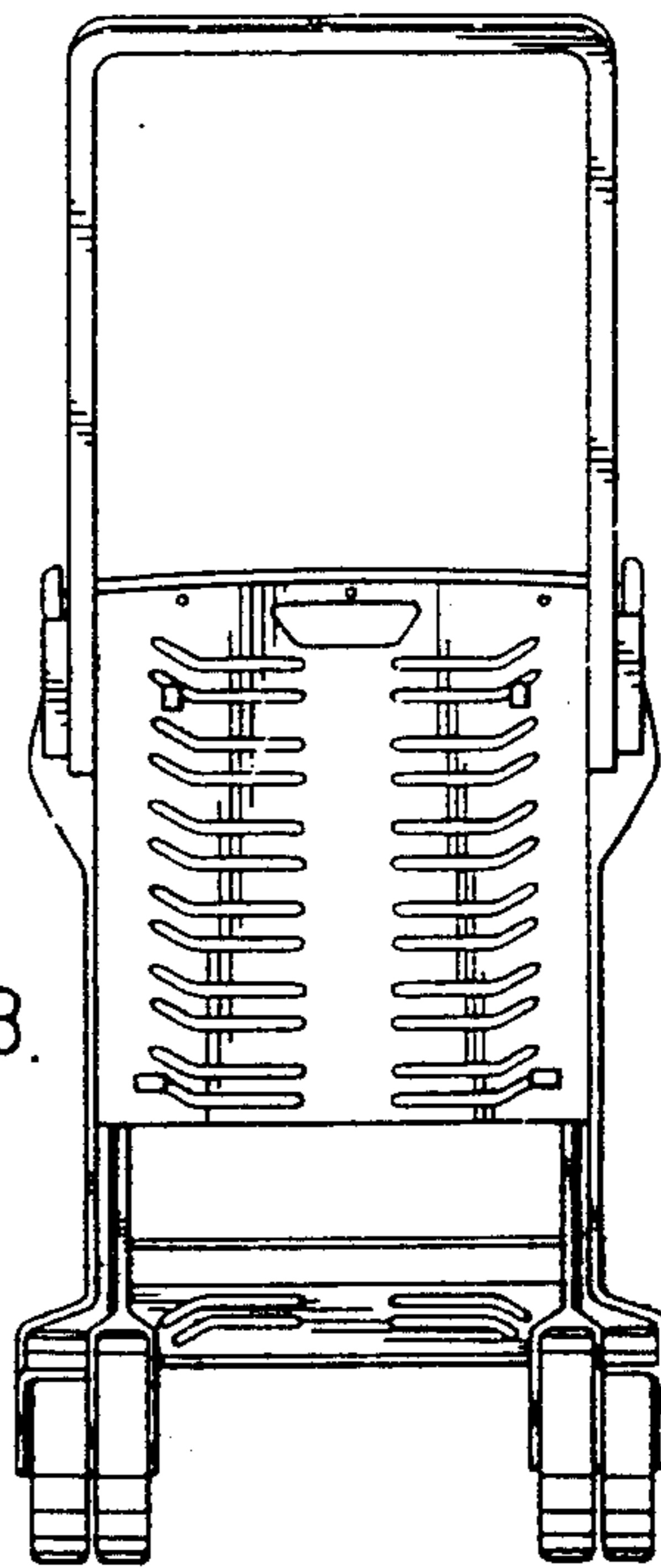


FIG. 8.