

[54] **SNOWPLOWABLE ROAD MARKER**
 [76] **Inventor: George S. Jefferies, 413 Nassau Ave., Freeport, N.Y. 11520**
 [**] **Term: 14 Years**
 [21] **Appl. No.: 646,205**
 [22] **Filed: Aug. 31, 1984**
 [52] **U.S. Cl. D10/113**
 [58] **Field of Search D10/113; 404/9, 10, 404/11, 12, 15, 16; 116/63 R; 40/612**

3,836,275 9/1974 Finch 404/13
 3,938,903 2/1976 Montgomery .
 3,971,623 7/1976 Hedgewick et al. 404/11
 3,975,108 8/1976 Suhr et al. 404/16
 3,980,410 9/1976 Suhr et al. 404/16
 4,088,416 5/1978 Taylor .
 4,111,581 9/1978 Auriemma 404/10
 4,127,346 11/1978 Bouffard 404/15
 4,127,348 11/1978 Roberts 404/16
 4,147,447 4/1979 Heenan et al. 404/16
 4,155,666 5/1979 Flanagan 404/16
 4,195,945 4/1980 Hennan 404/16
 4,302,125 11/1981 Cullen Jr. 404/9
 4,402,628 9/1983 Grenier et al. 404/16
 4,557,624 12/1985 Walker 404/16

[56] **References Cited**
U.S. PATENT DOCUMENTS

D. 113,298 2/1939 Wise .
 D. 190,210 4/1961 Angier .
 D. 190,606 6/1961 Angier .
 D. 207,038 2/1967 Haley .
 D. 215,376 9/1969 Haley .
 D. 225,087 11/1972 Haley .
 D. 243,515 3/1977 King .
 D. 266,060 9/1982 Beretta D10/113
 D. 266,554 10/1982 Beretta D10/113
 D. 266,910 11/1982 Brickwood D10/113
 D. 270,143 8/1983 Flanagan D10/113
 B 358,174 1/1975 Rowland 404/15
 1,545,009 7/1925 Paine 404/15
 1,606,825 11/1926 Briggs 404/15
 1,802,924 4/1931 Myers 404/15
 1,816,502 7/1931 Theel 404/15
 1,850,370 3/1932 Arey 404/15
 1,870,994 9/1932 George 404/15
 1,896,920 2/1933 Shapiro .
 1,918,336 7/1933 Horni .
 1,952,471 3/1934 Stern et al. 94/1.5
 2,181,613 11/1939 Stewart et al. .
 2,260,498 10/1941 Wise .
 2,627,784 2/1953 Pellar 88/79
 3,396,639 8/1968 Lemelson 94/1.5
 3,485,148 12/1969 Heenan 94/1.5
 3,499,371 3/1970 Jonnes et al. .
 3,516,337 6/1970 Gubela .
 3,587,416 6/1971 Flanagan 94/1.5
 3,693,511 9/1972 Medynski 94/1.5

FOREIGN PATENT DOCUMENTS

0798588 10/1934 France .
 0648542 1/1951 United Kingdom .
 1018831 2/1966 United Kingdom 404/9
 1560288 2/1980 United Kingdom .

OTHER PUBLICATIONS

Brochure entitled "Stimsonite ® Life-Lite 96 Plowable Pavement Marker".

Primary Examiner—B. J. Bullock
Attorney, Agent, or Firm—Wayne M. Kennard

[57] **CLAIM**

The ornamental design for a snowplowable road marker, substantially as shown and described.

DESCRIPTION

FIG. 1 is a top plan view of a snowplowable road marker showing my new design;
 FIG. 2 is a side elevational view taken from the bottom of FIG. 1, the side opposite being identical;
 FIG. 3 is a side elevational view taken from the right of FIG. 1, the side opposite being identical;
 FIG. 4 is a bottom plan view thereof;
 FIG. 5 is a top perspective view thereof with the reflector omitted for clarity of illustration;
 FIG. 6 is a top perspective view thereof.

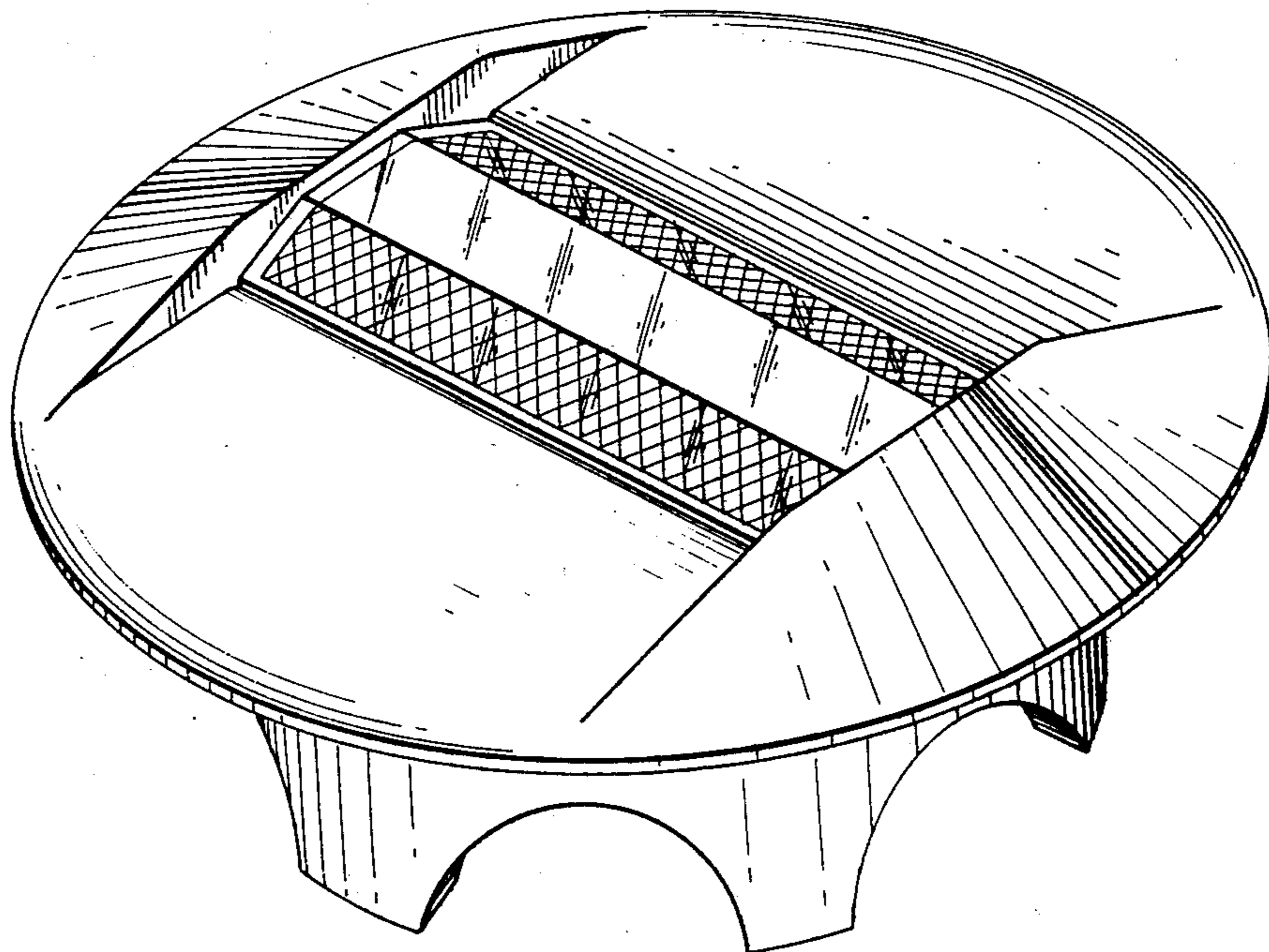


FIG. 1

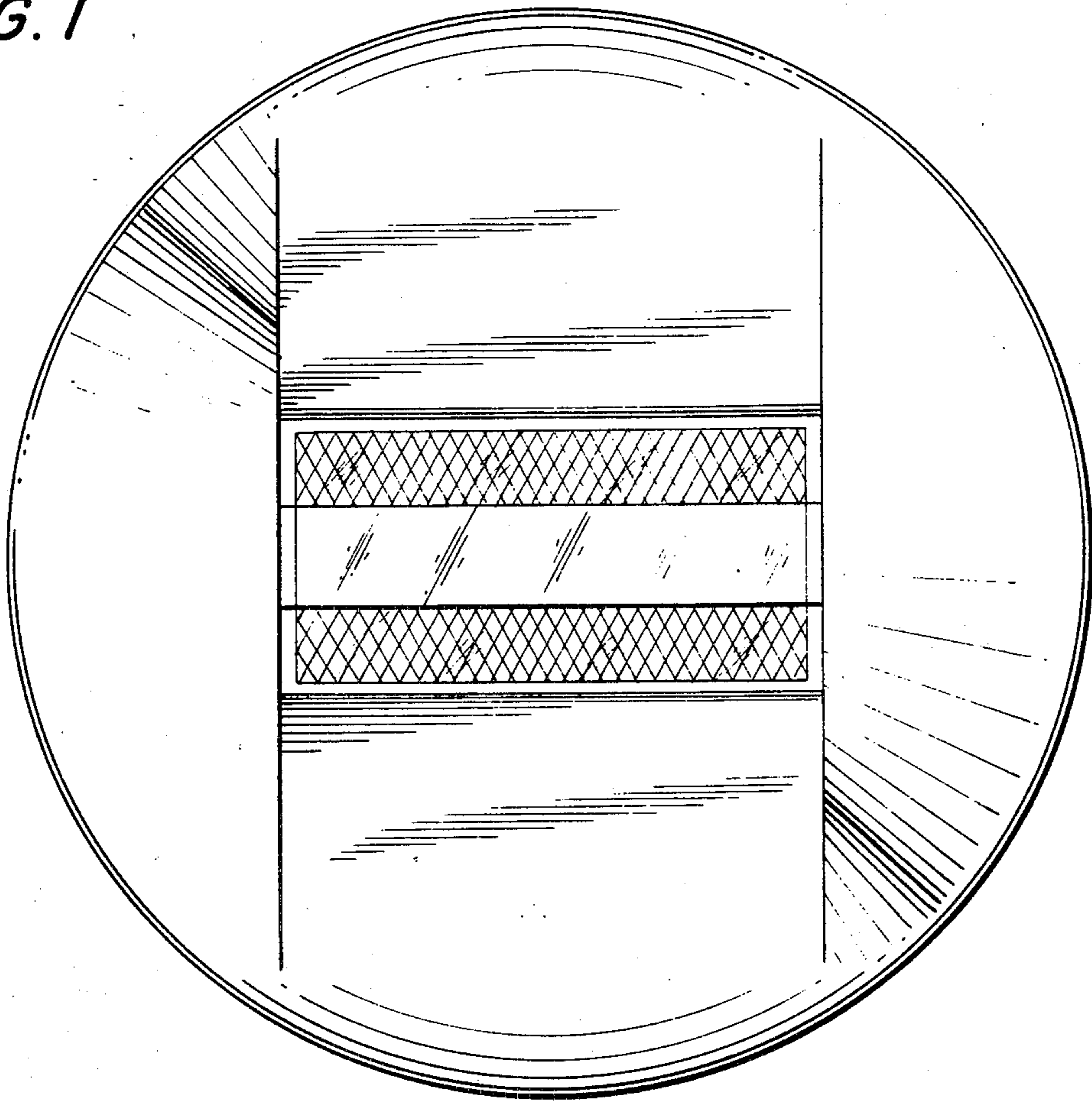


FIG. 2

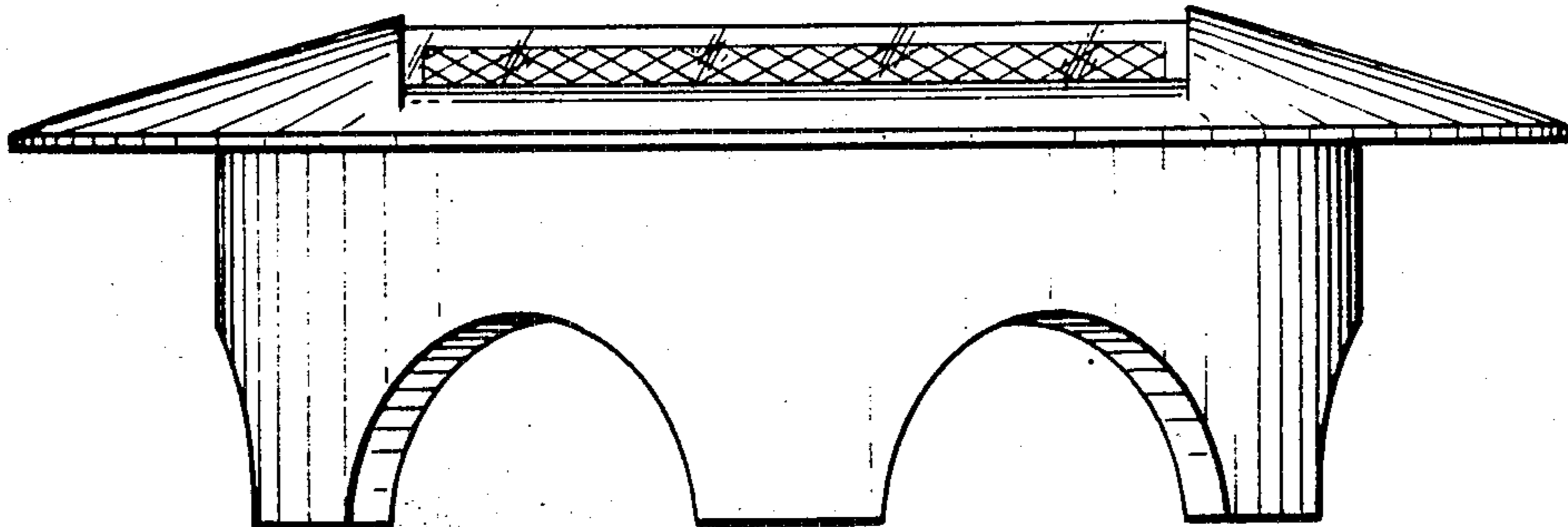


FIG. 3

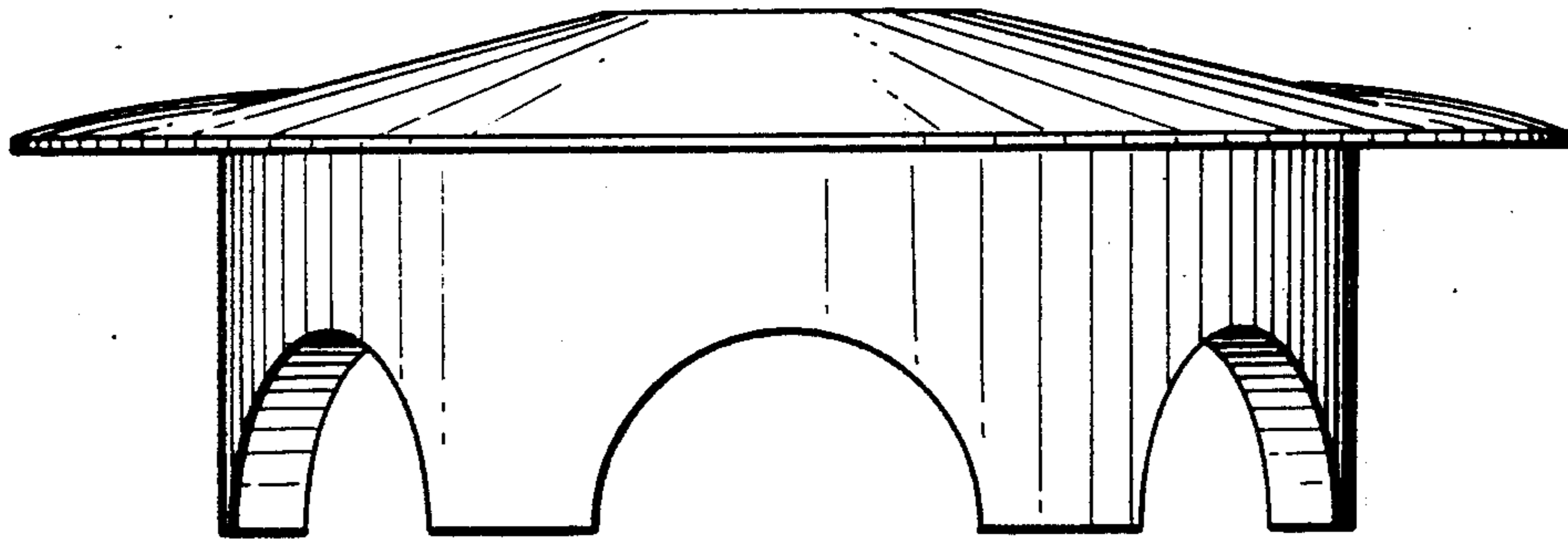


FIG. 4

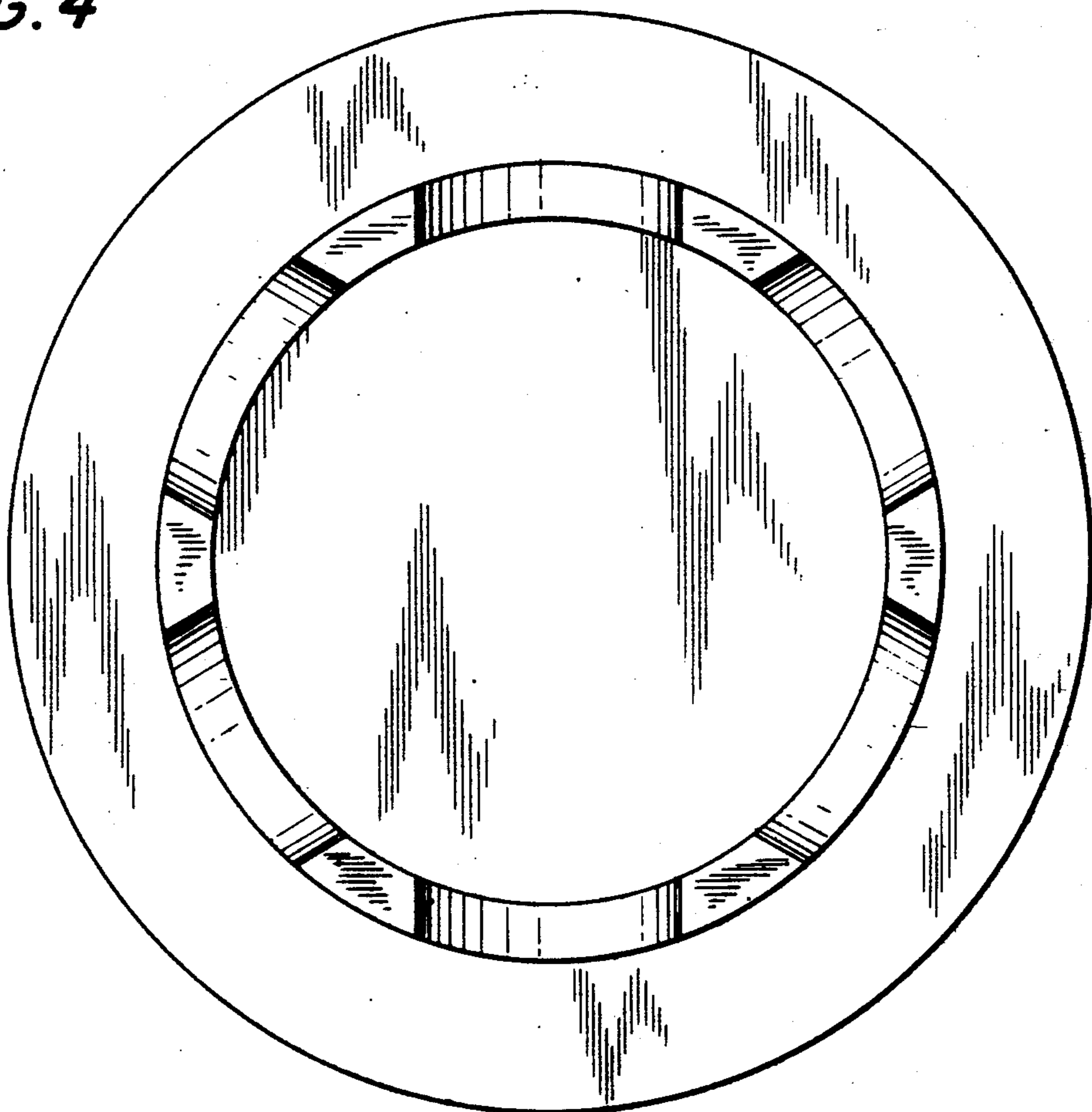


FIG. 5

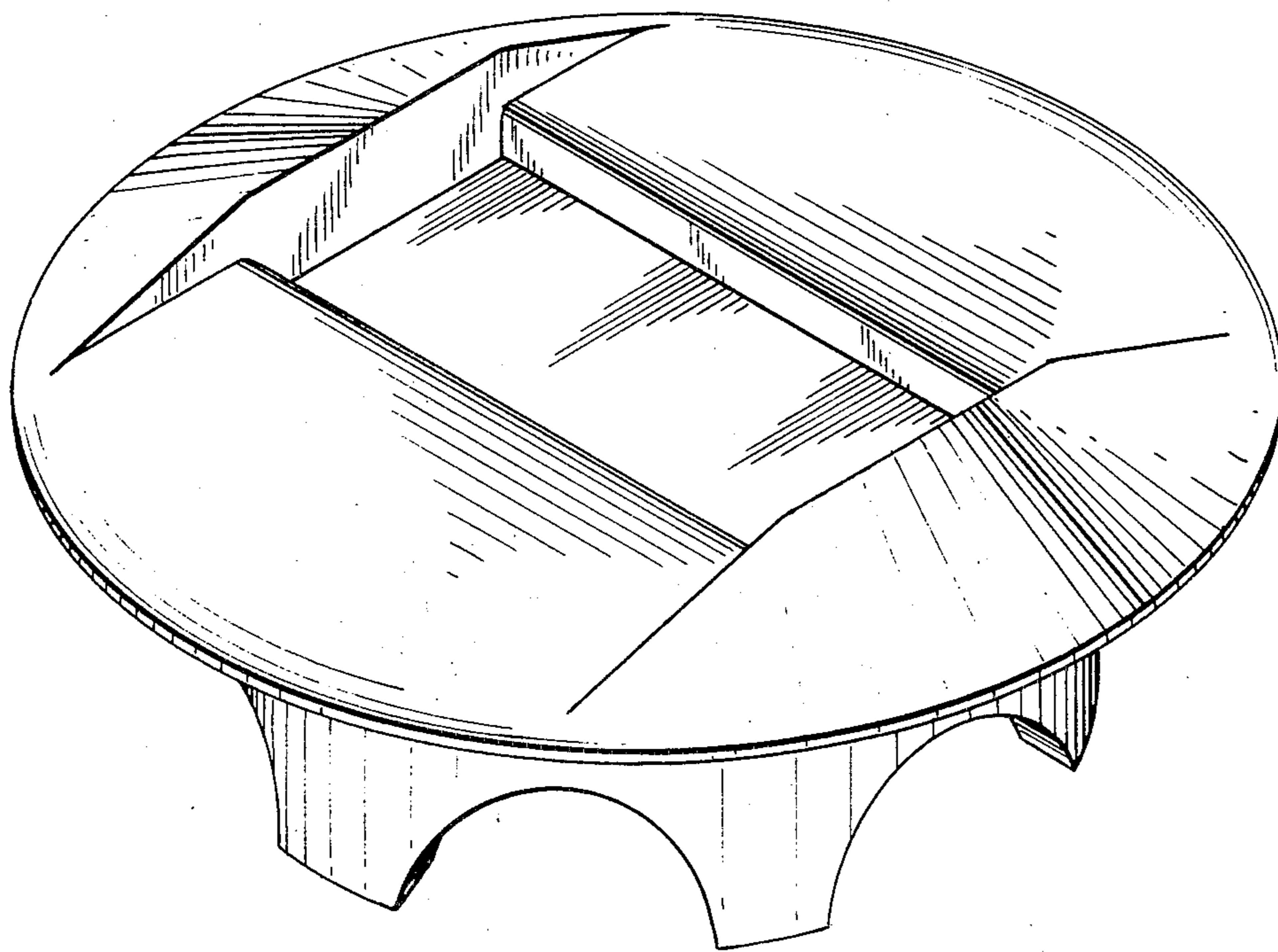


FIG. 6

