

[54] BATTERY STATE-OF-CHARGE METER

[75] Inventor: Richard P. Bezikos, Katonah, N.Y.

[73] Assignee: Curtis Instruments, Inc., Mount Kisco, N.Y.

[**] Term: 14 Years

[21] Appl. No.: 549,410

[22] Filed: Nov. 7, 1983

[52] U.S. Cl. D10/102; D10/77

[58] Field of Search D10/80, 102, 103, 75-78; 324/428, 431, 73 R, 72.5

[56] References Cited

U.S. PATENT DOCUMENTS

D. 190,678	6/1961	Schlaich	D10/102 X
D. 198,140	5/1964	Carpenter	D10/102 X
D. 198,685	7/1964	Kerr	D10/102 X
D. 202,786	11/1965	Thomas	D10/80
D. 208,578	9/1967	Puljer	D10/75
D. 218,706	9/1970	DiPinto	D10/102 X
3,909,708	9/1975	Champlin	324/431
4,066,882	1/1978	Esposito	324/73 R
4,297,639	10/1981	Branham	324/428 X

Primary Examiner—Nelson C. Holtje
Attorney, Agent, or Firm—Curtis Ailes

[57] CLAIM

The ornamental design for battery state-of-charge meter, as shown and described.

DESCRIPTION

FIG. 1 is a left front perspective view of a battery state-of-charge meter showing my new design with decorative front panel broken away for ease of illustration; FIG. 2 is a left side elevational view thereof, the broken-line showing an intermediately placed instrument panel, which is environmental only and forms no part of the claimed design; FIG. 3 is a top plan view of FIG. 2; FIG. 4 is a rear elevational view thereof; FIG. 5 is a front elevational view thereof; FIG. 6 is a left side elevational view thereof, the broken-line showing a surface mounted instrument panel which is environmental only and forms no part of the claimed design; FIG. 7 is a bottom plan view of FIG. 6. In FIGS. 1 and 5, per the diagonal lines indicates the color brown.

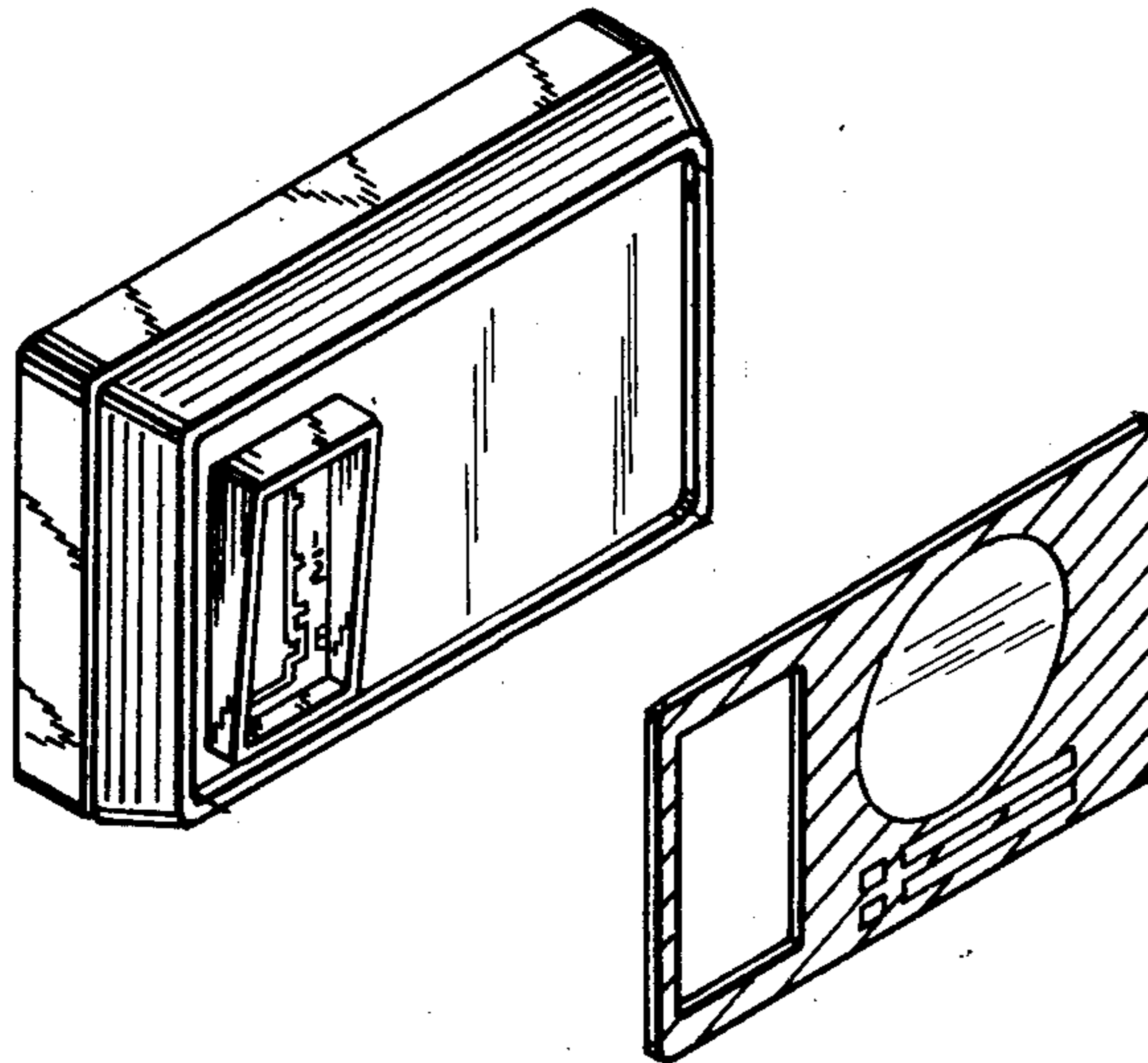


FIG. 1

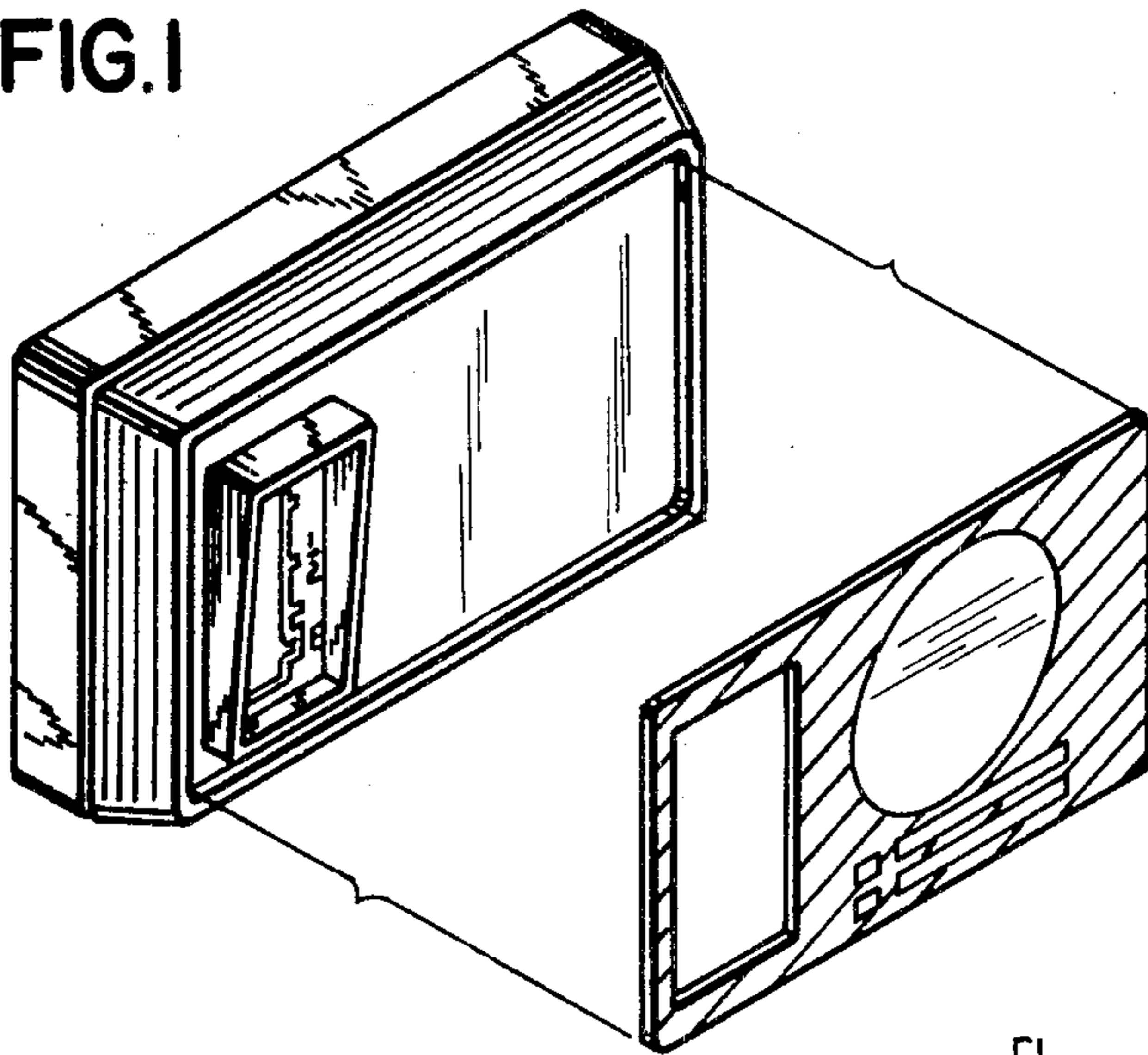


FIG. 2



FIG. 3

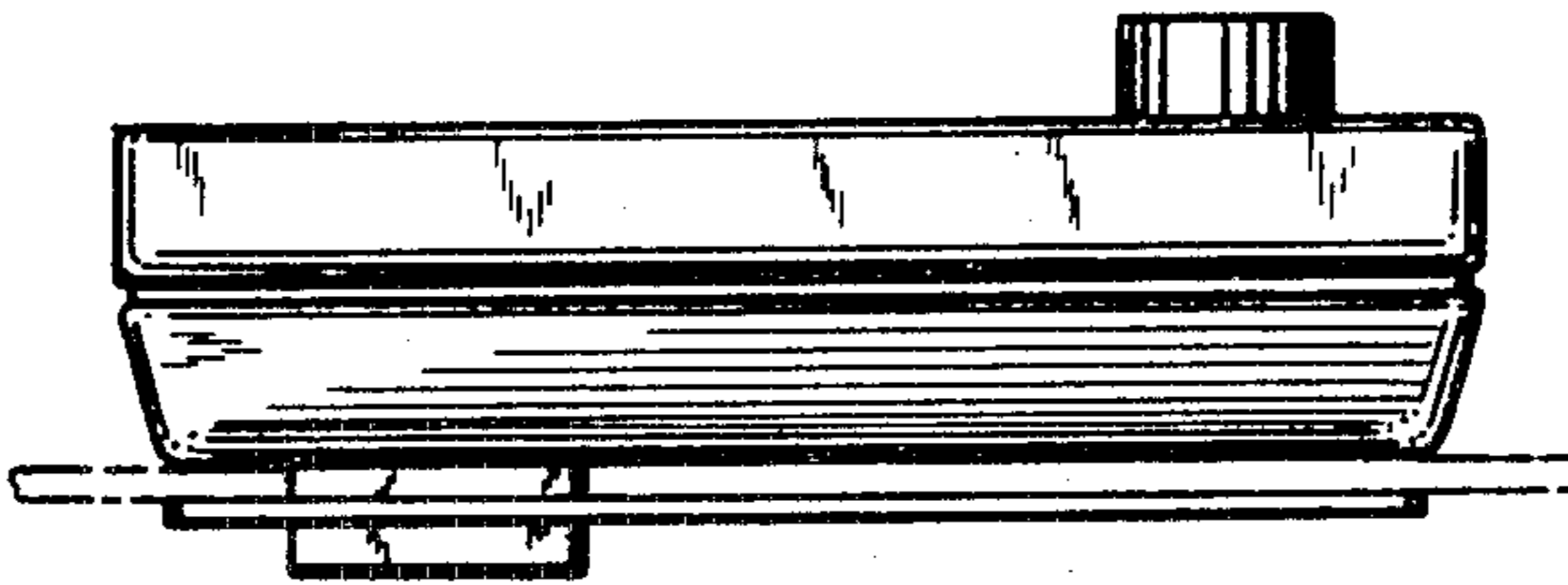


FIG. 4

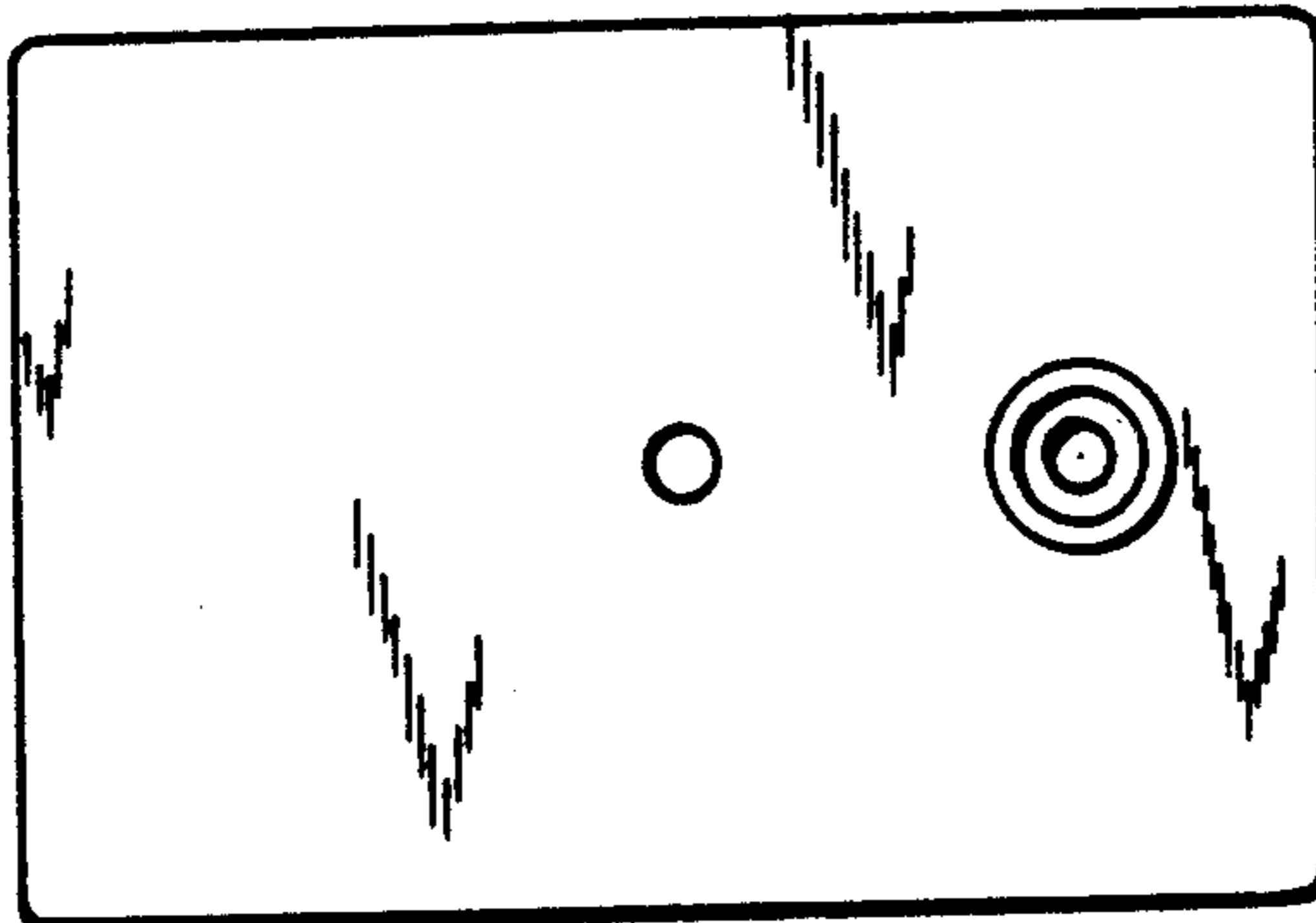


FIG. 5

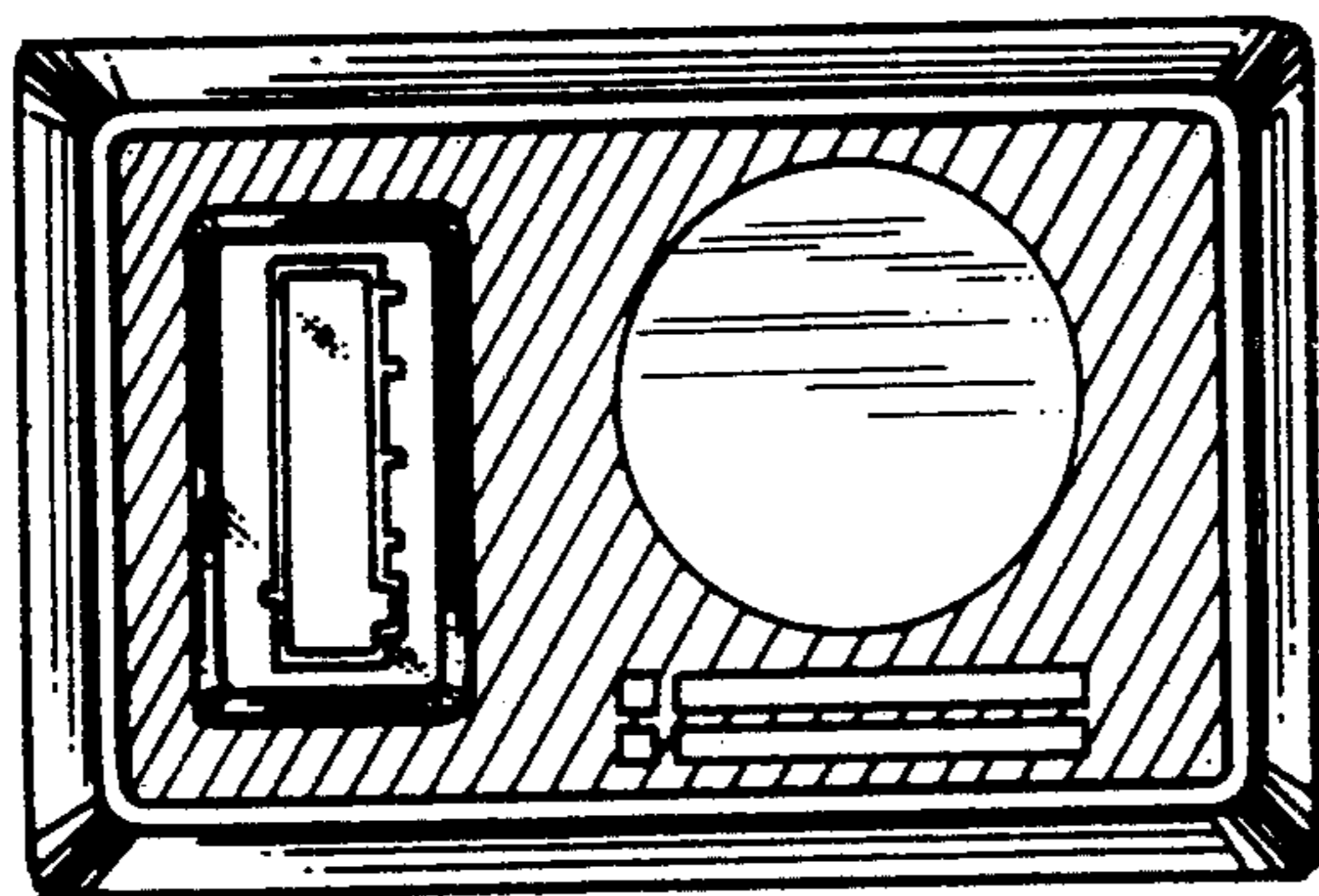


FIG. 6

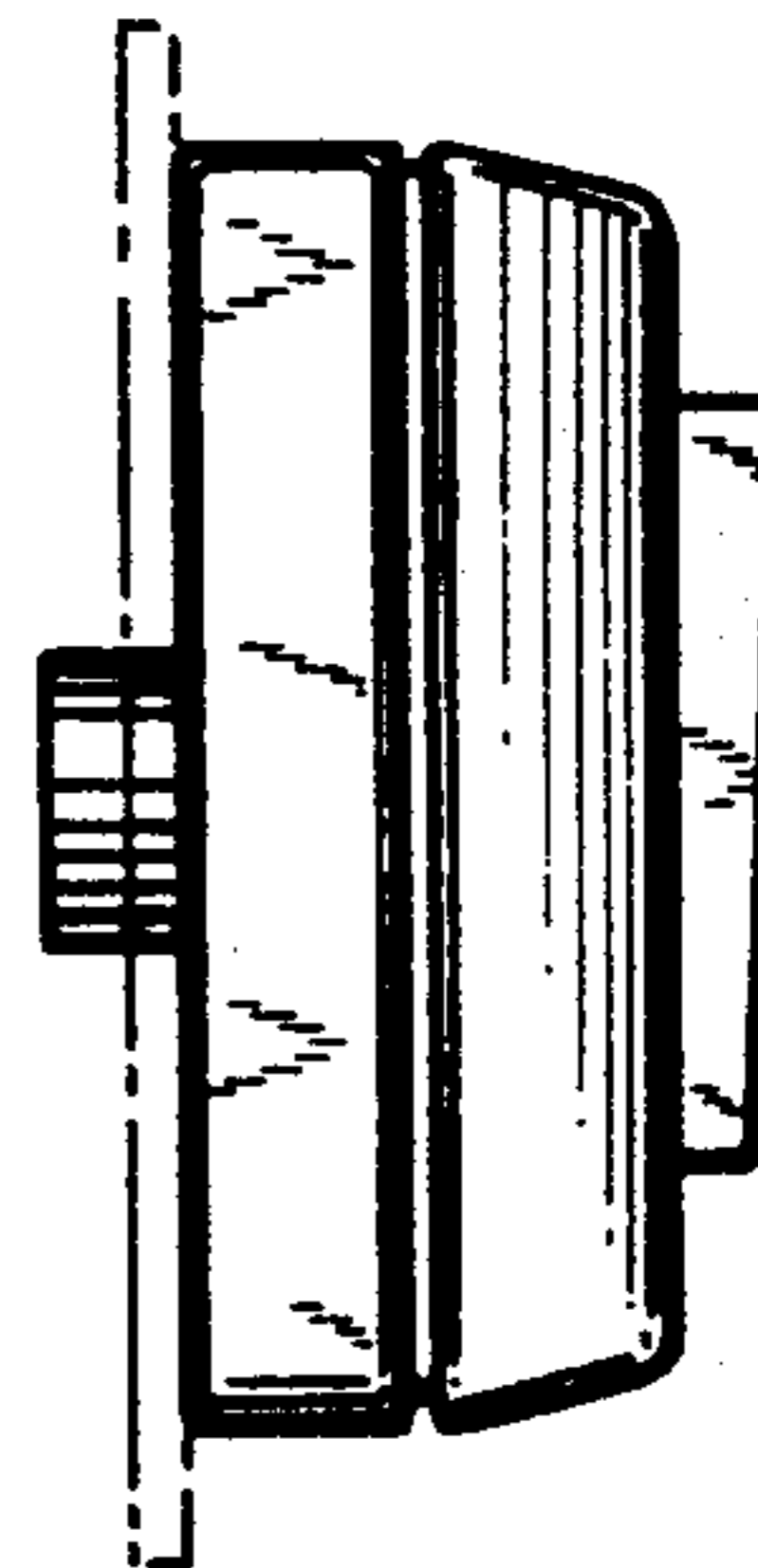


FIG. 7

