

[54] MAGNETIC COMPASS

[75] Inventor: Nicole Richard, Paris, France

[73] Assignee: Societe Parisienne des Anciens
Etablissements Barbier, Benard &
Turenne, Paris, France

[**] Term: 14 Years

[21] Appl. No.: 590,609

[22] Filed: Mar. 19, 1984

[30] Foreign Application Priority Data

Sep. 19, 1983 [FR] France 833359

[52] U.S. Cl. D10/68; D10/65;
D10/70

[58] Field of Search D10/68, 65, 77;
33/354 R, 355 R, 364 R, 272

[56] References Cited

U.S. PATENT DOCUMENTS

D. 206,105 10/1966 Foster D10/65

D. 250,754	1/1979	Gray	D10/65
D. 254,125	2/1980	Powell	D10/65 X
D. 259,924	7/1981	Bergkvist	D10/65
2,007,986	7/1935	Sprague	D10/65
2,487,044	11/1949	Cude	33/354 X
3,427,724	2/1969	Tracy	33/354 X
3,544,253	12/1970	Bloom	33/364 X

Primary Examiner—Nelson C. Holtje
Attorney, Agent, or Firm—Browdy and Neimark

[57] CLAIM

The ornamental design for a magnetic compass, as shown and described.

DESCRIPTION

FIG. 1 is a top plan view of a magnetic compass showing my new design;
FIG. 2 is a front side elevational view thereof, the rear side being a mirror image thereto;
FIG. 3 is a bottom plan view thereof;
FIG. 4 is a bottom and left-rear perspective view thereof; and,
FIG. 5 is a top and right-front perspective view thereof.

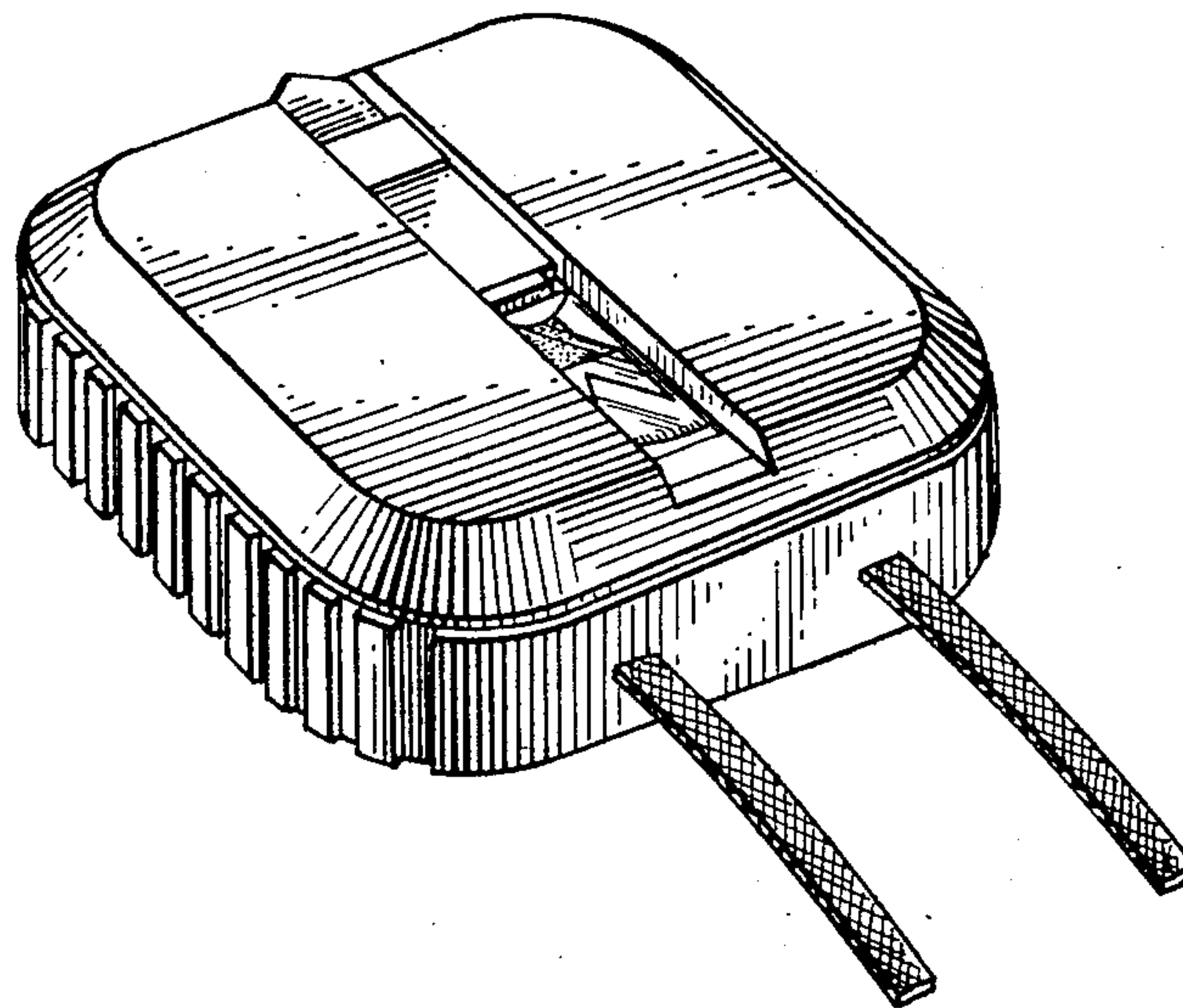


FIG. 1.

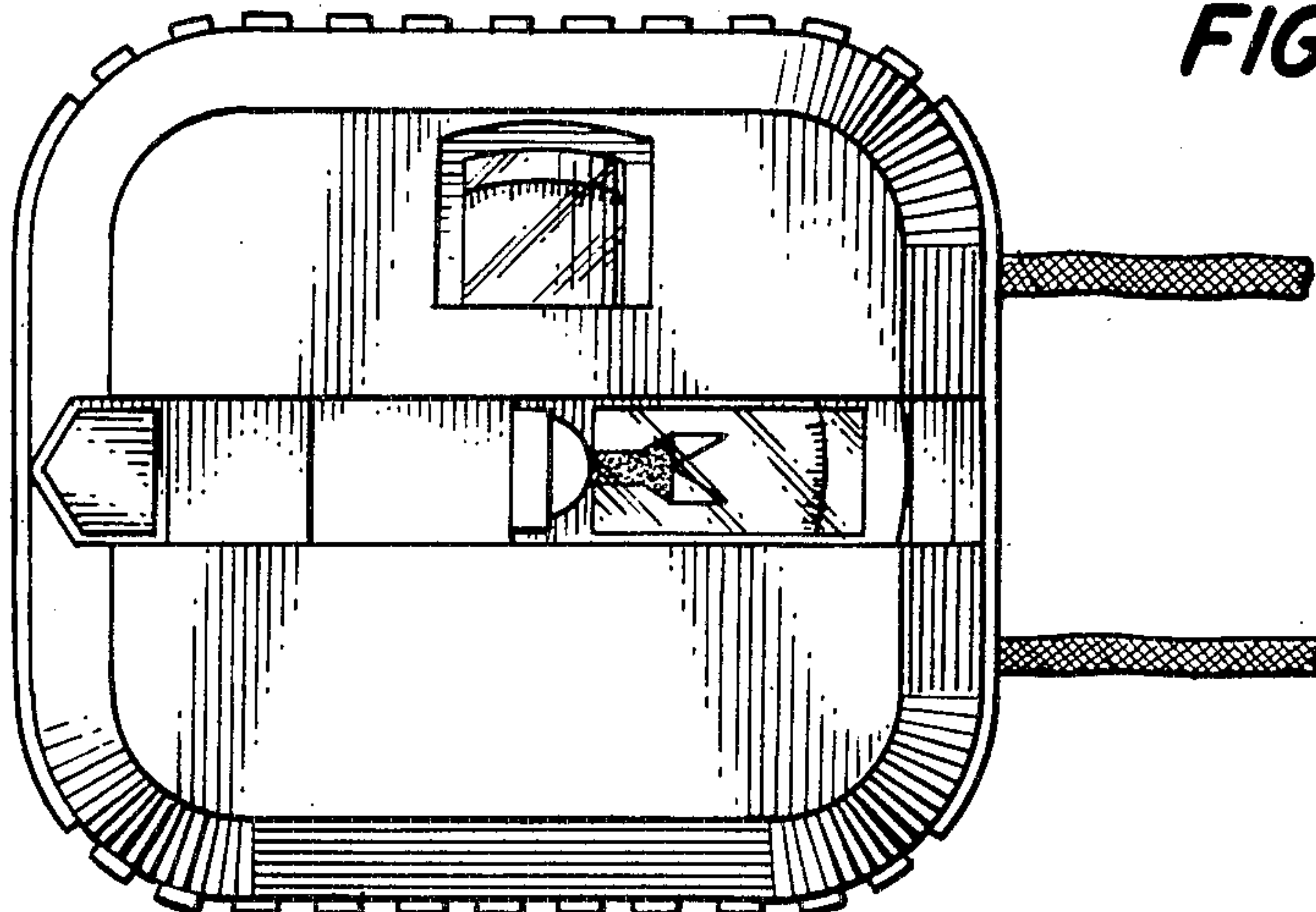


FIG. 2.

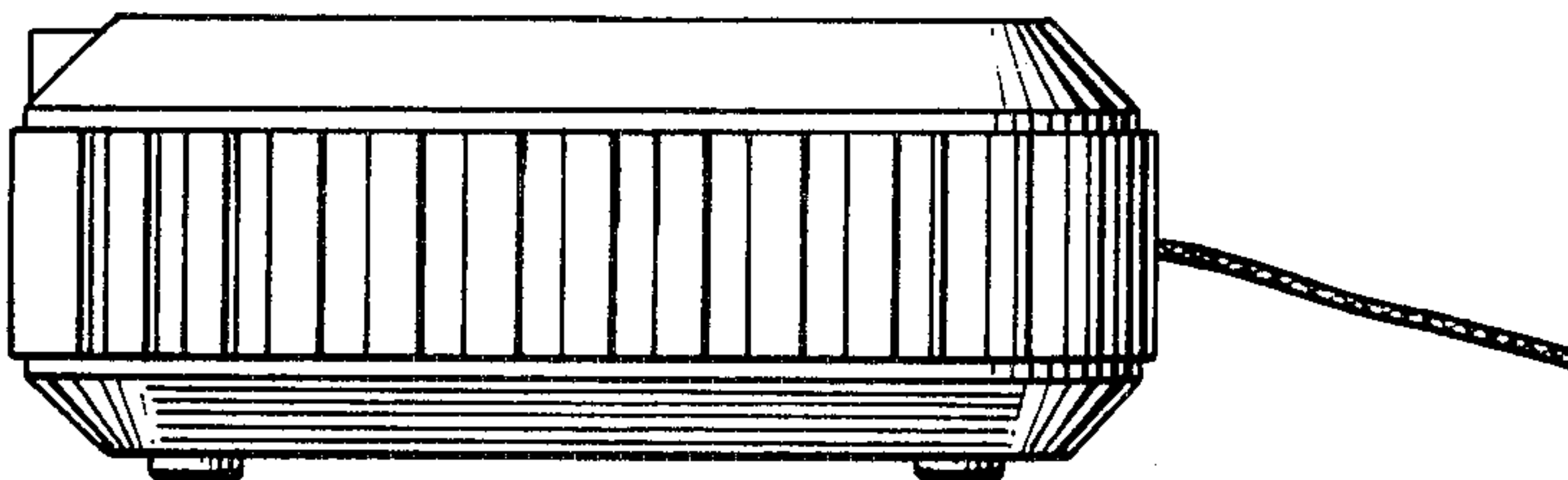


FIG. 3.

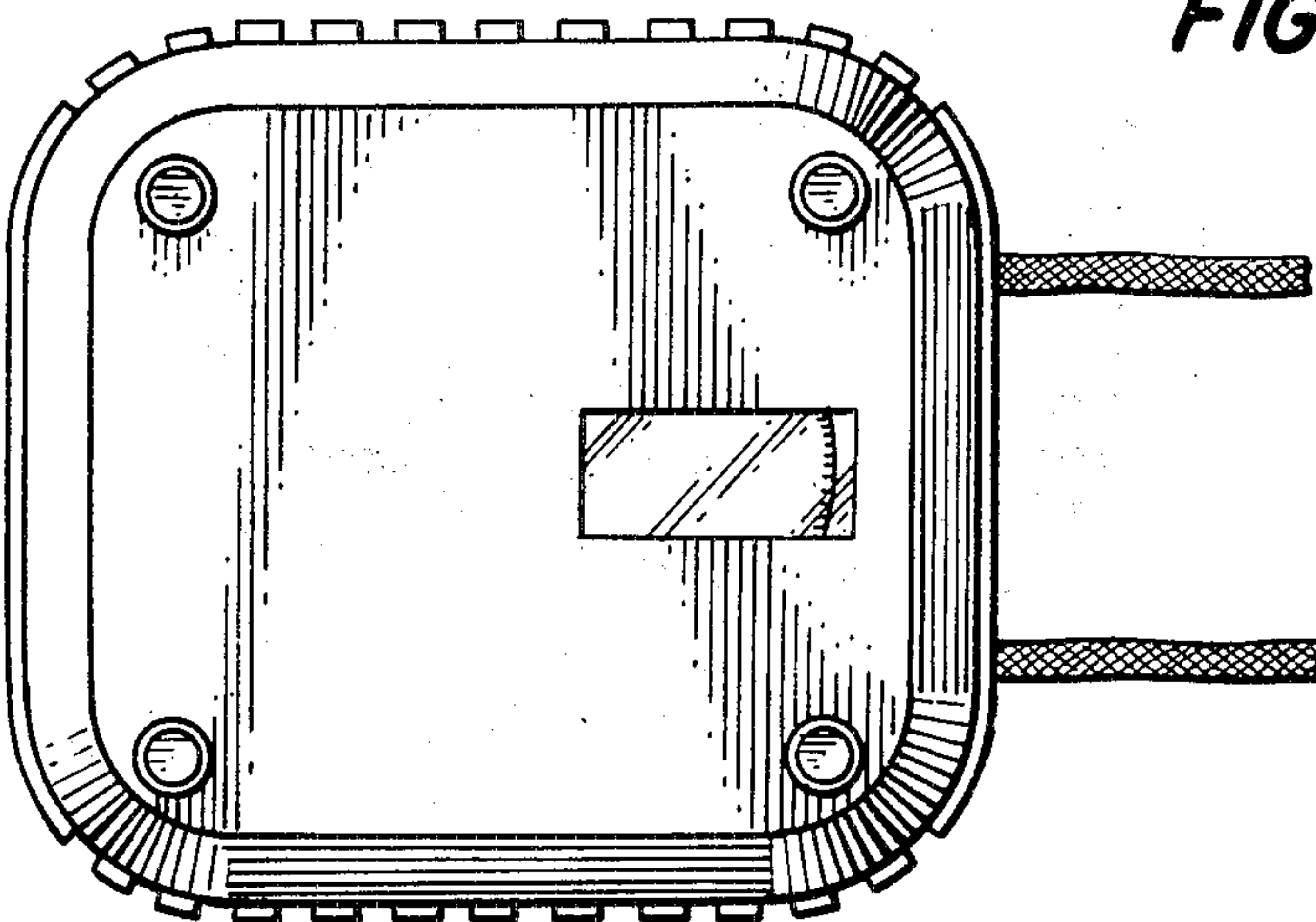


FIG. 4.

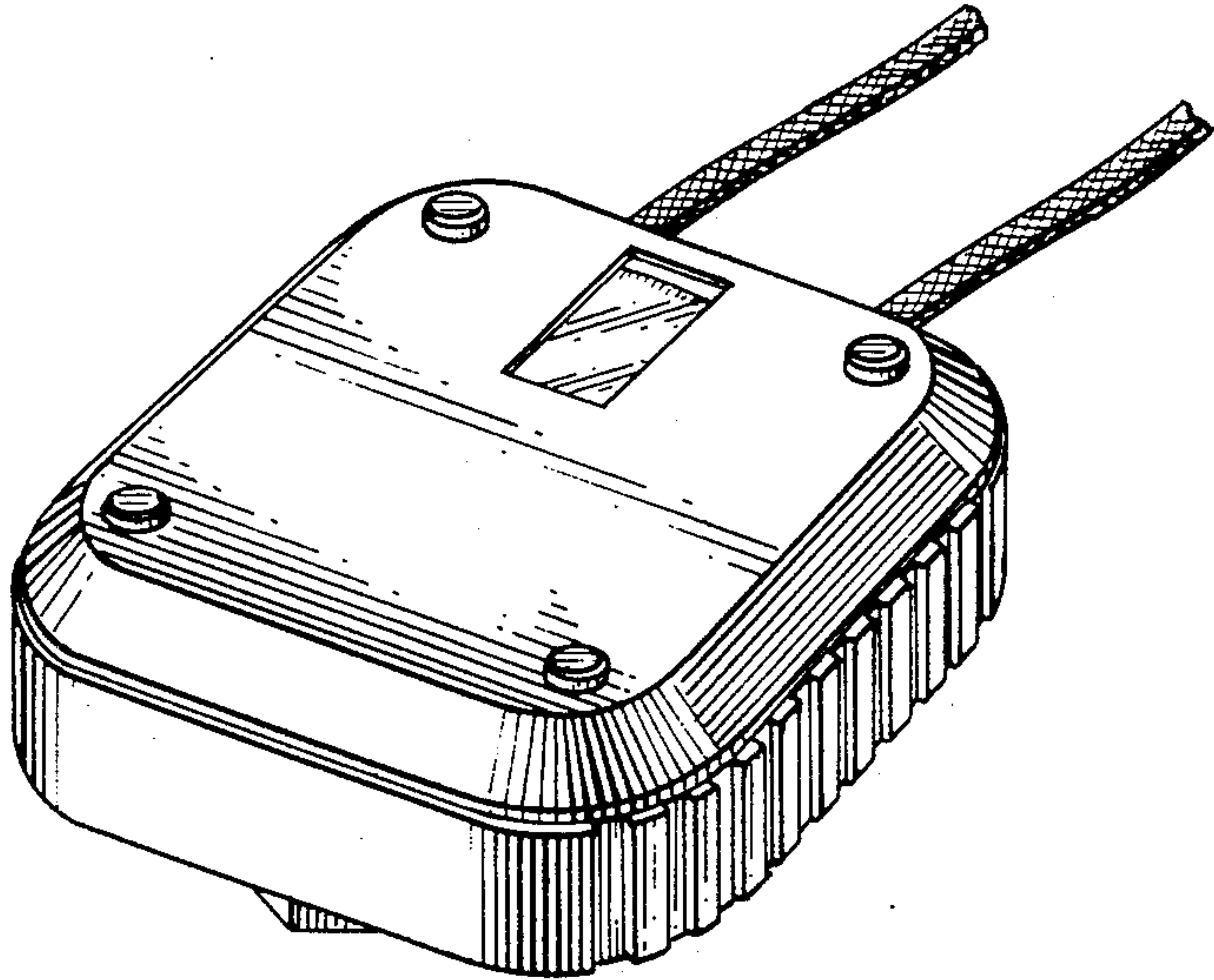


FIG. 5.

