

[54] **ENCLOSURE FOR AN ELECTRONIC THERMOSTAT OR THE LIKE**

D. 271,380 11/1983 Zanazzo et al. D10/49
D. 273,944 5/1984 Koeneman et al. D10/50
D. 281,724 12/1985 Michiels D24/41

[75] **Inventor: Michael R. Levine, Ann Arbor, Mich.**

*Primary Examiner—Louis S. Zarfes
Attorney, Agent, or Firm—Krass & Young*

[73] **Assignee: Honeywell Inc., Minneapolis, Minn.**

[57] **CLAIM**

[**] **Term: 14 Years**

The ornamental design for an enclosure for an electronic thermostat or the like, substantially as shown and described.

[21] **Appl. No.: 611,743**

[22] **Filed: May 18, 1984**

DESCRIPTION

[52] **U.S. Cl. D10/60; D10/50**

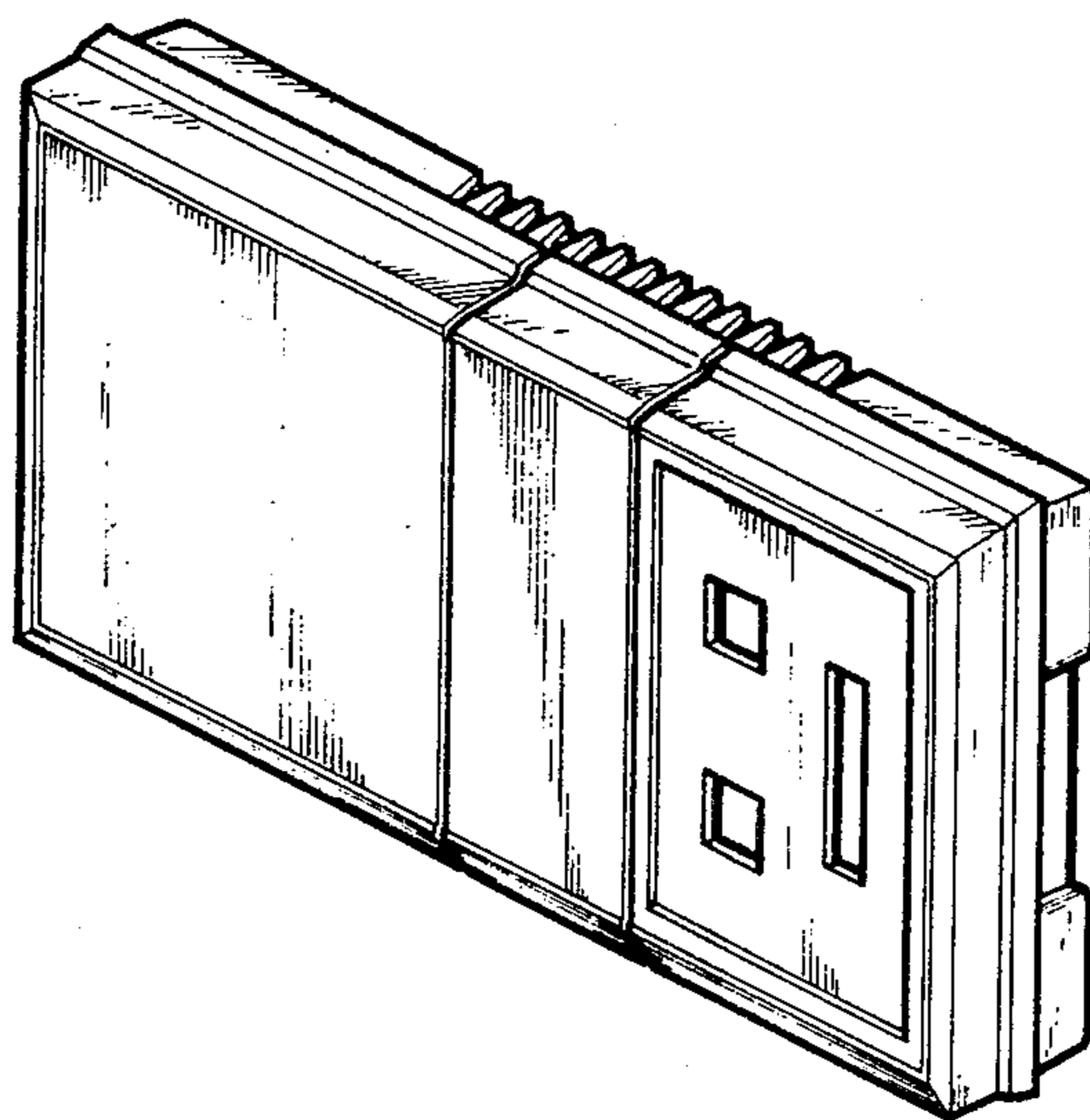
FIG. 1 is a front perspective view of an enclosure for an electronic thermostat or the like showing my new design;
FIG. 2 is a top plan view thereof;
FIG. 3 is a front elevational view thereof;
FIG. 4 is a bottom plan view thereof; and
FIG. 5 is a left side elevational view thereof.
The rear is unornamented.

[58] **Field of Search D10/49-53, D10/60, 75, 78, 46; D24/41; 165/12-14; 337/301-303; 236/46 R, 94, DIG. 19**

[56] **References Cited**

U.S. PATENT DOCUMENTS

D. 271,086 10/1983 Odom D10/50



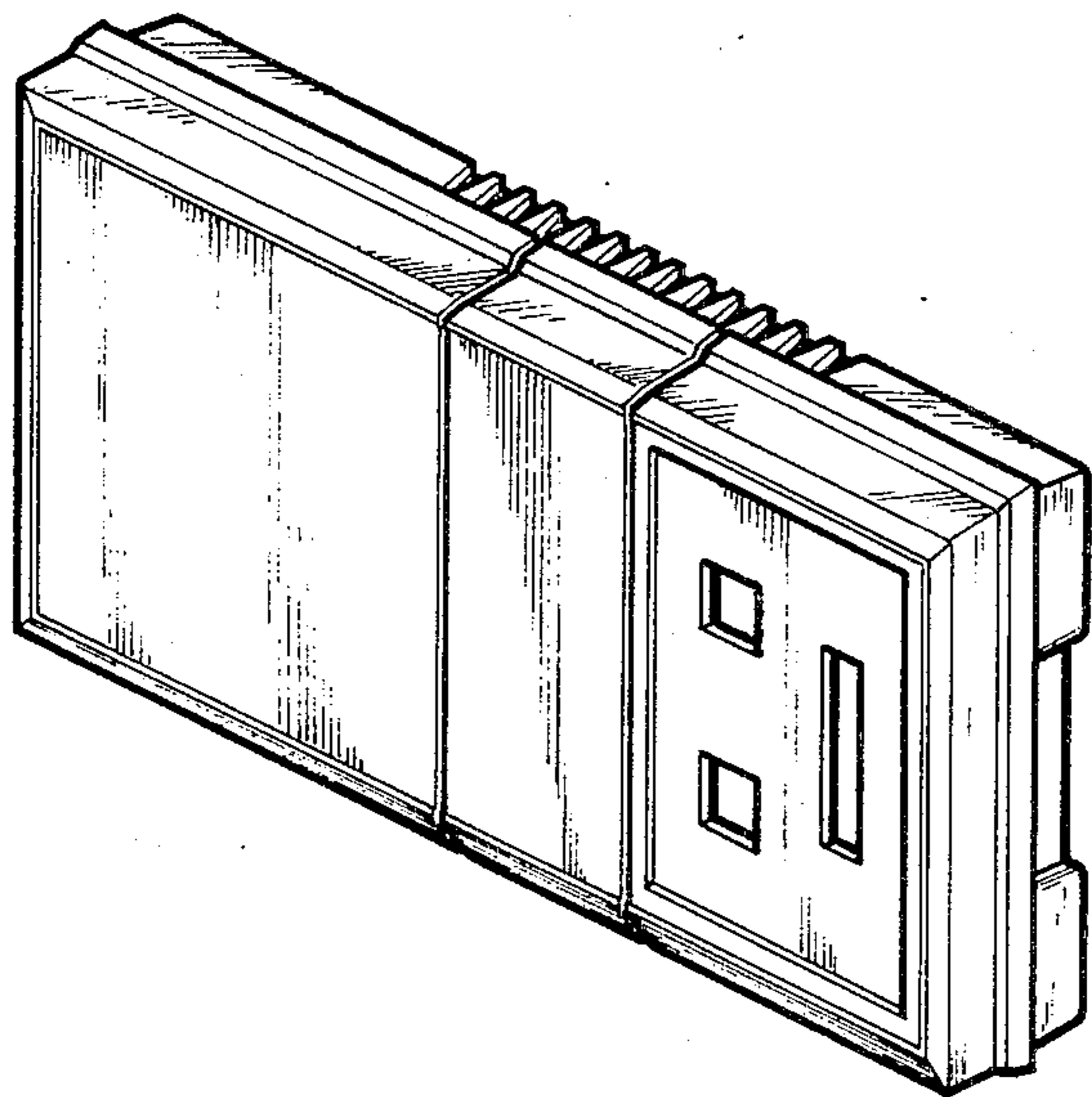


Fig-1

Fig-2

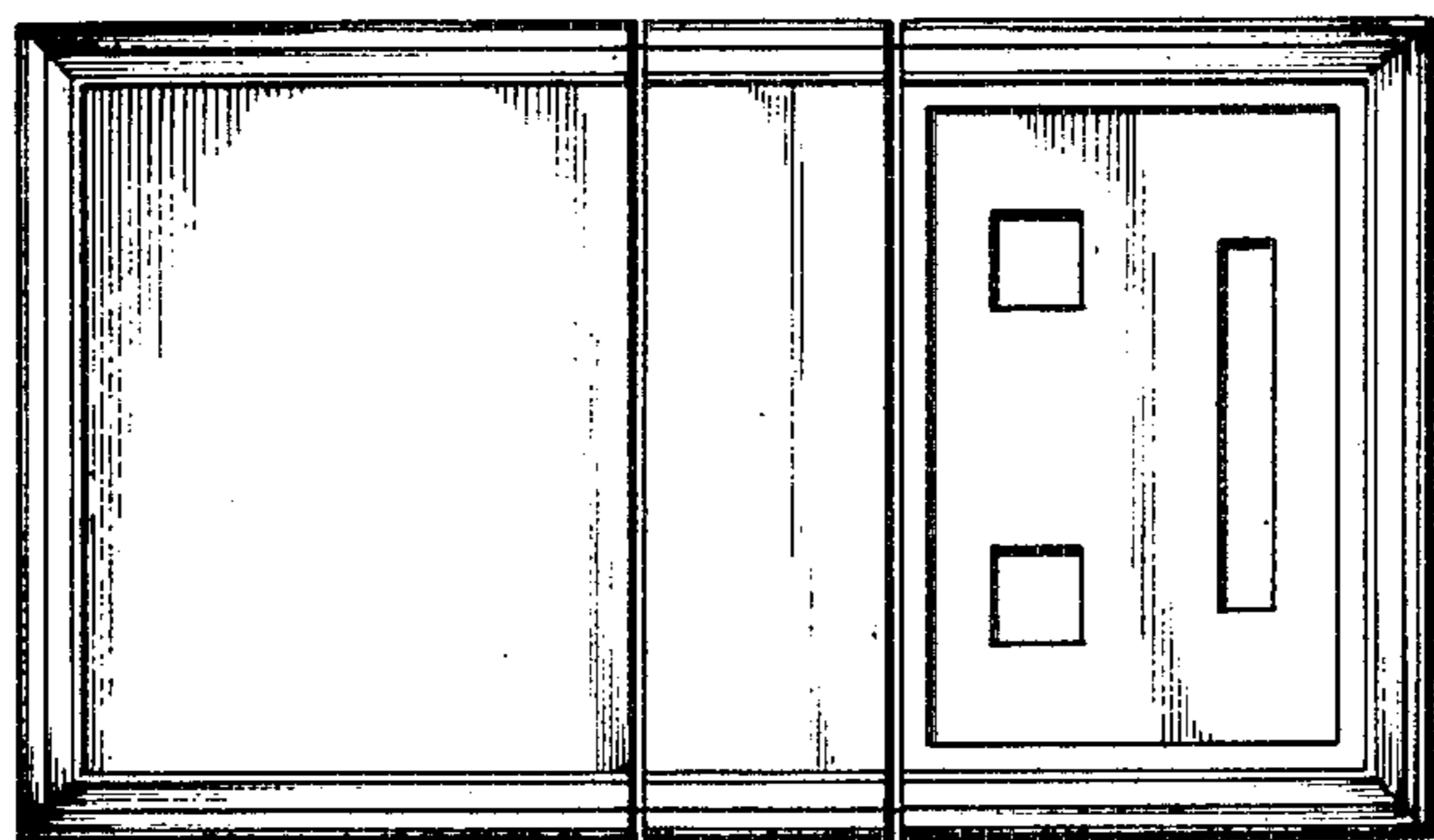


Fig-3

Fig-4

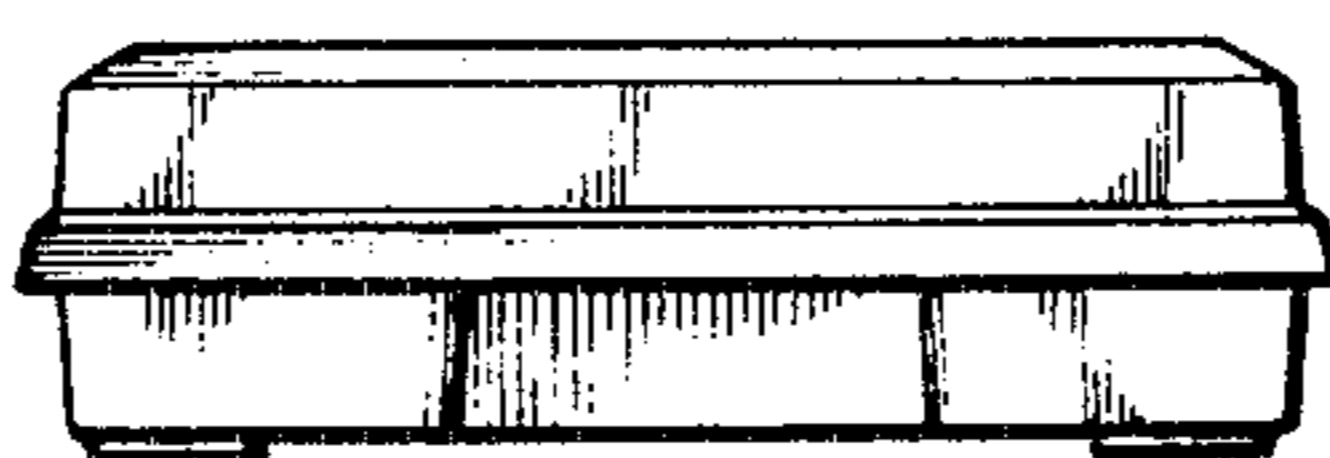


Fig-5