

[54] IMPACT WRENCH

3,912,022 10/1975 Smith 81/464
4,064,771 12/1977 Krieg 81/464

[75] Inventor: Donald W. Doman, Janesville, Wis.

[73] Assignee: Snap-on Tools Corporation, Kenosha, Wis.

[**] Term: 14 Years

[21] Appl. No.: 685,859

[22] Filed: Dec. 24, 1984

[52] U.S. Cl. D8/68

[58] Field of Search D8/21, 61, 68;
81/57.11, 464, 465, 466; 173/163, 170

[56] References Cited

U.S. PATENT DOCUMENTS

D. 200,876	4/1965	Kuenzl	D8/61
D. 205,091	6/1966	Averitt	D8/68
D. 241,705	10/1976	Kotone	D8/61
D. 270,809	10/1983	Ikeda et al.	D8/68
3,696,693	10/1972	Bosten et al.	81/464

OTHER PUBLICATIONS

Photographs of predecessor tool of Snap-on Tools Corporation, Model Nos. AT-300, AT-300A, AT-300B.

Primary Examiner—B. J. Bullock
Attorney, Agent, or Firm—Emrich & Dithmar

[57] CLAIM

The ornamental design for an impact wrench, as shown and described.

DESCRIPTION

FIG. 1 is a top plan view of an impact wrench showing my new design;
FIG. 2 is a side elevational view taken from the bottom of FIG. 1, the side opposite being a mirror image;
FIG. 3 is a rear elevational view thereof;
FIG. 4 is a front elevational view thereof; and
FIG. 5 is a bottom plan view thereof.

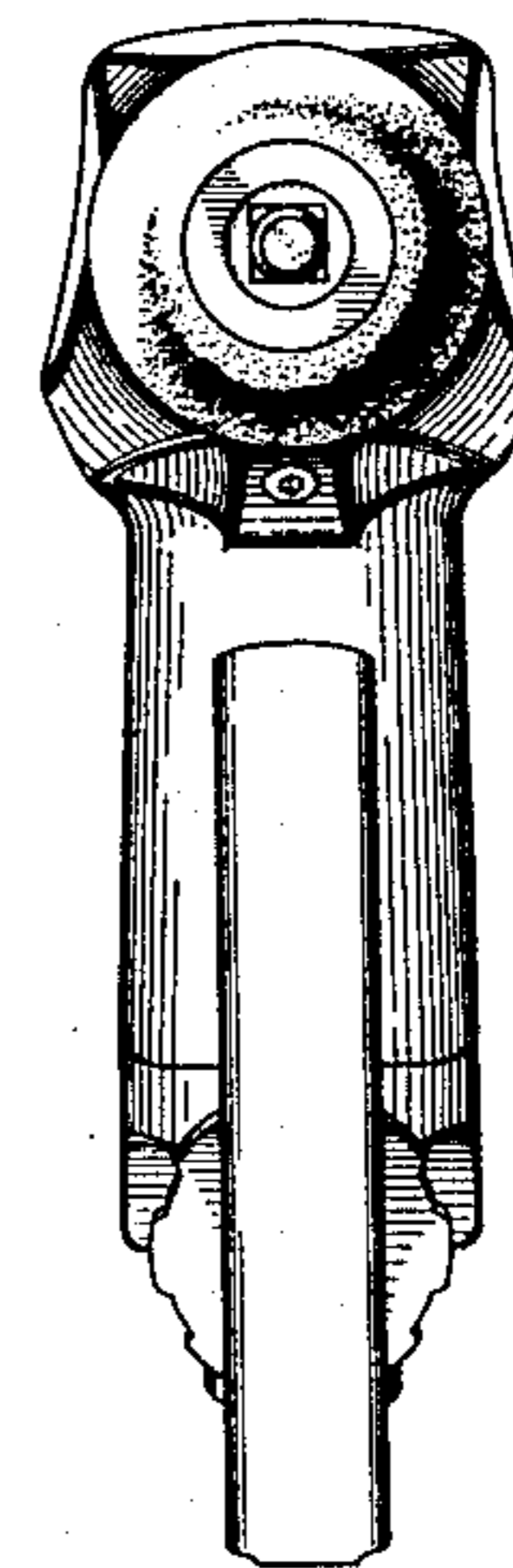
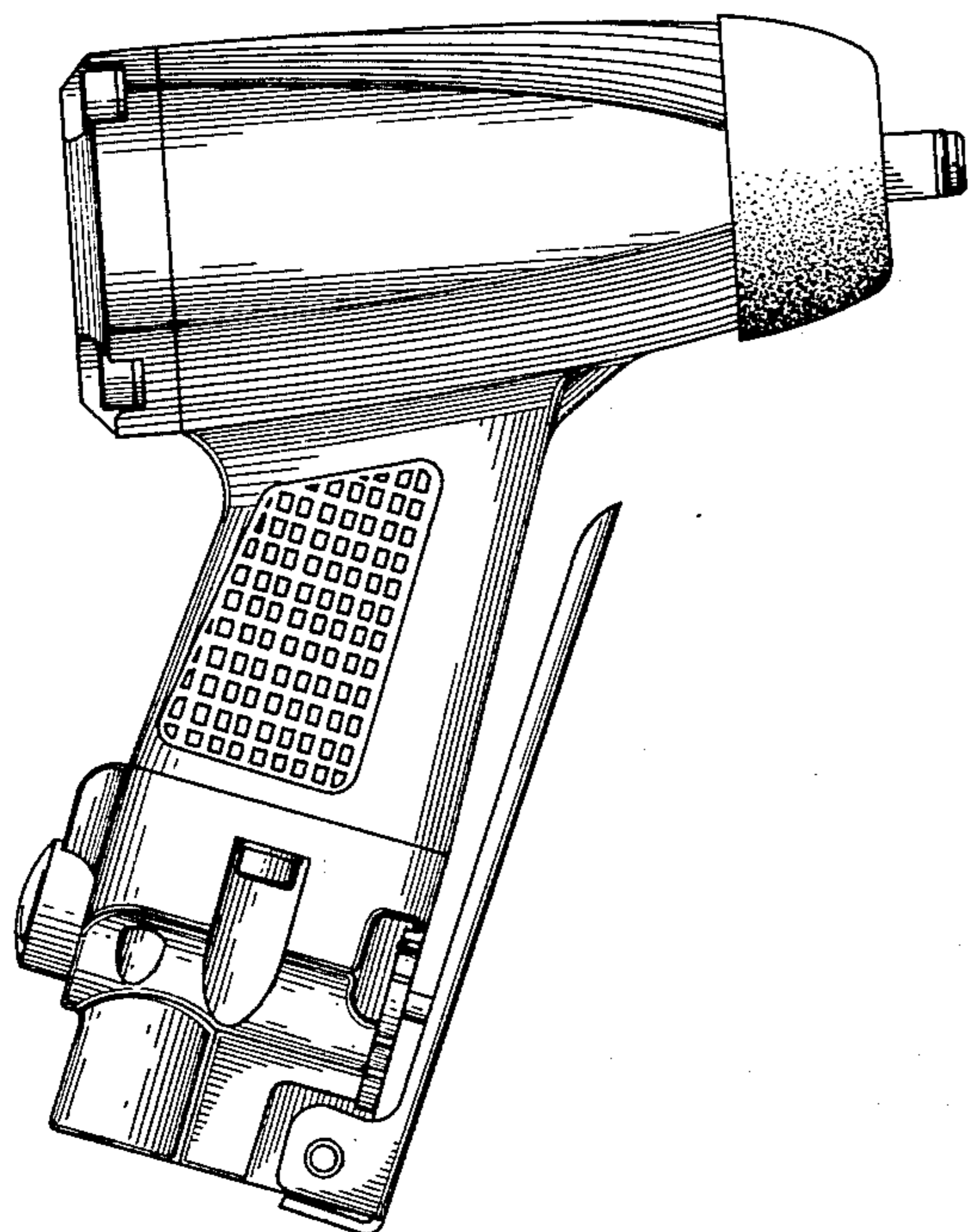


Fig 1

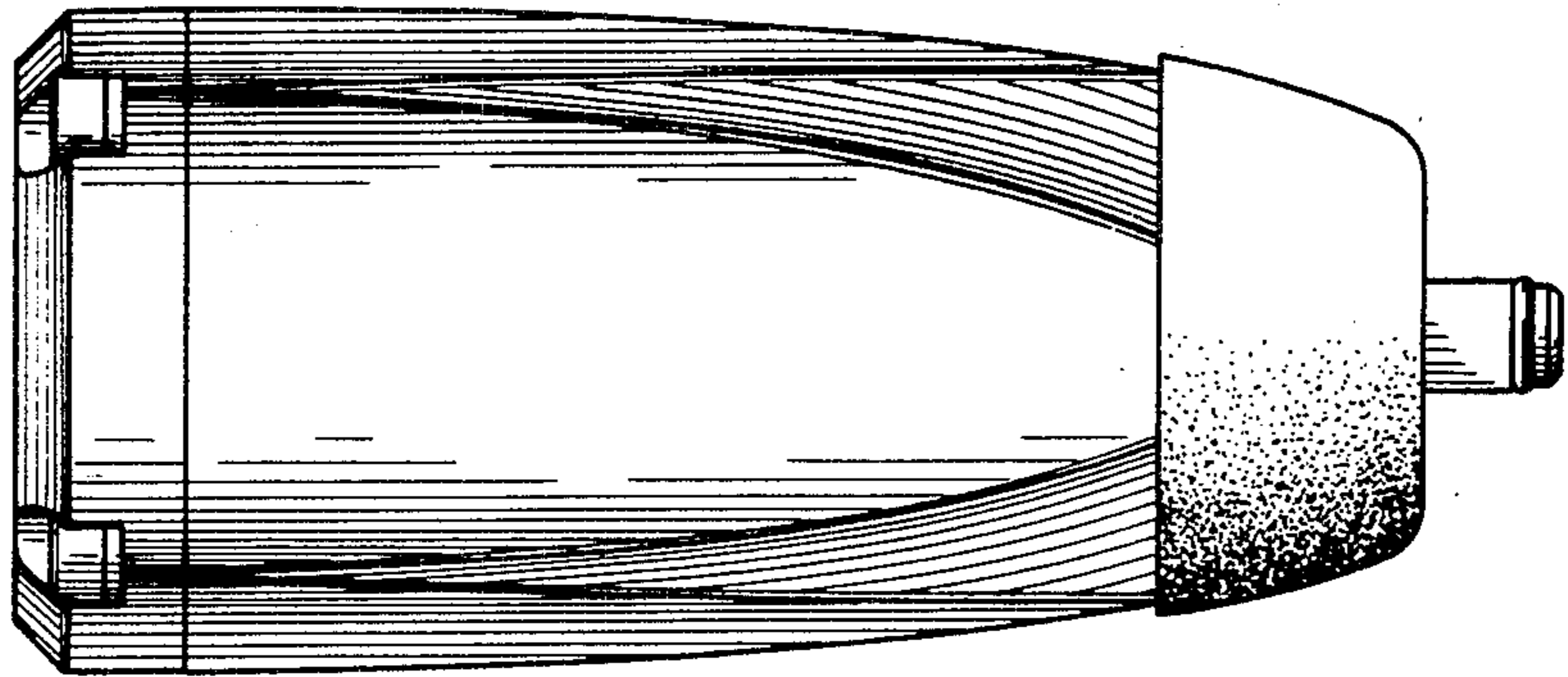


Fig 2

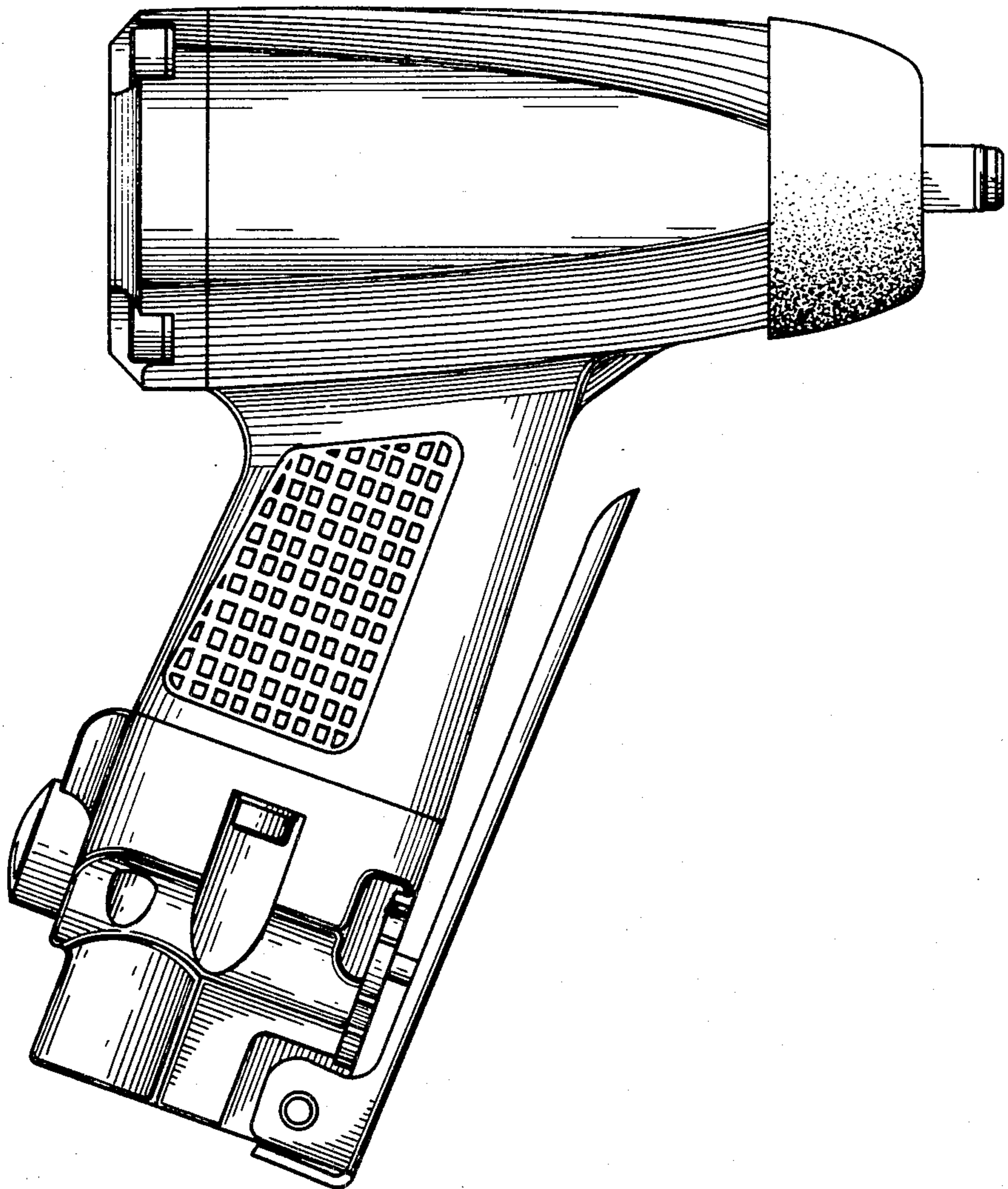


Fig 3

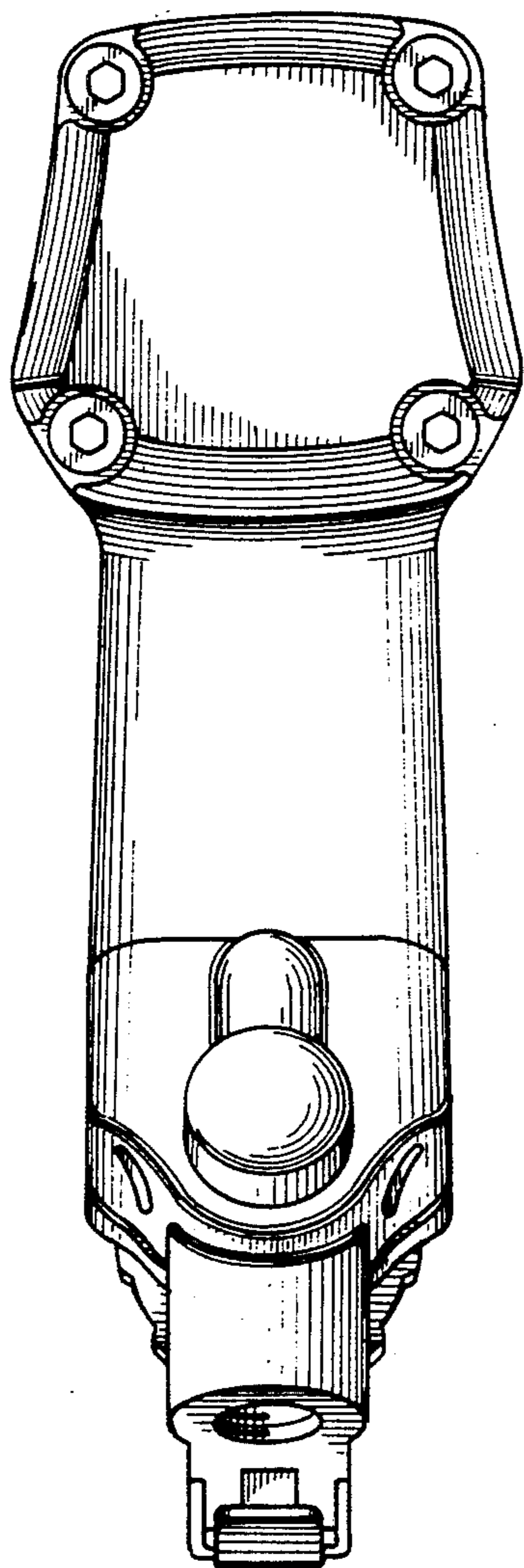


Fig 4

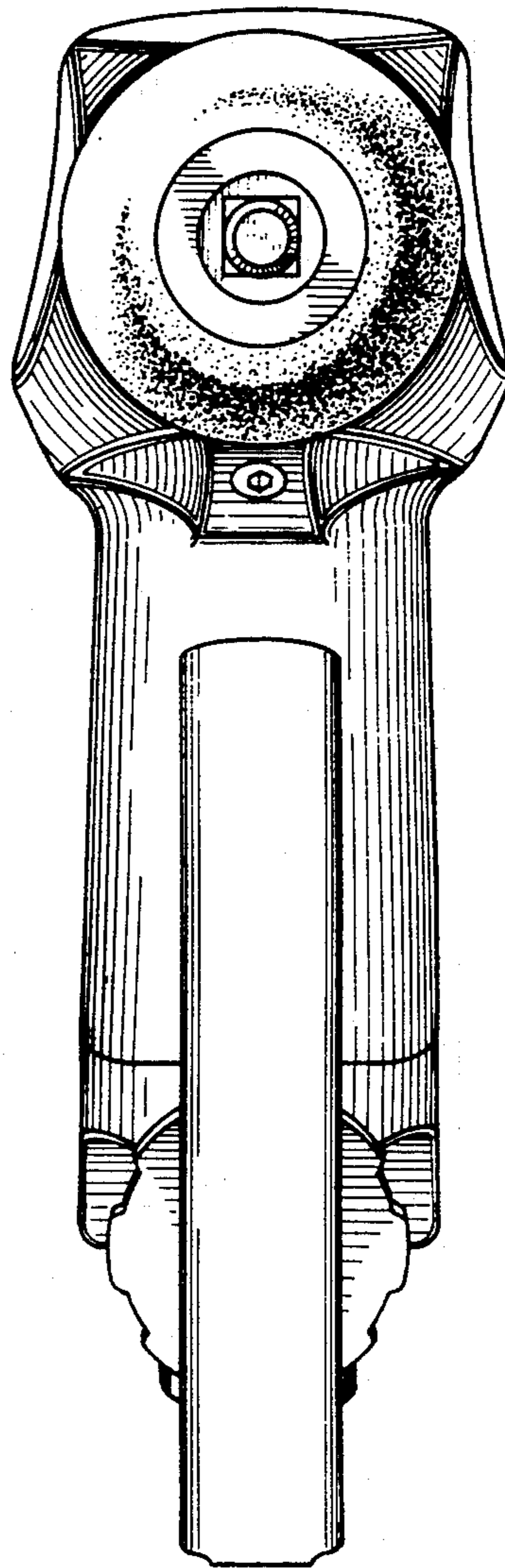


Fig 5

