

[54] PORTABLE GRINDING MACHINE

[75] Inventors: Karl G. Kárdén, Nacka; Karl-Gustav Berger, Saltsjö-Duvnäs, both of Sweden

[73] Assignee: Atlas Copco AG, Nacka, Sweden

[\*\*] Term: 4 Years

[21] Appl. No.: 614,959

[22] Filed: May 29, 1984

[52] U.S. Cl. .... D8/62; D8/67

[58] Field of Search ..... D8/61, 62, 90, 67; D15/139, 125; 51/170 R, 170 T, 170 TL, 170 EB, 134.5 F, 177

[56] References Cited

U.S. PATENT DOCUMENTS

D. 216,578	2/1970	Kiester .....	D8/62
3,775,911	12/1973	Flage .....	51/170 T
3,935,678	2/1976	Marton .....	51/170 T
4,330,967	5/1982	Richardson .....	51/170 R X

OTHER PUBLICATIONS

"Grinding and Finishing" Jul. 1966, p. 24, Black and Decker Model 661 Grinder.

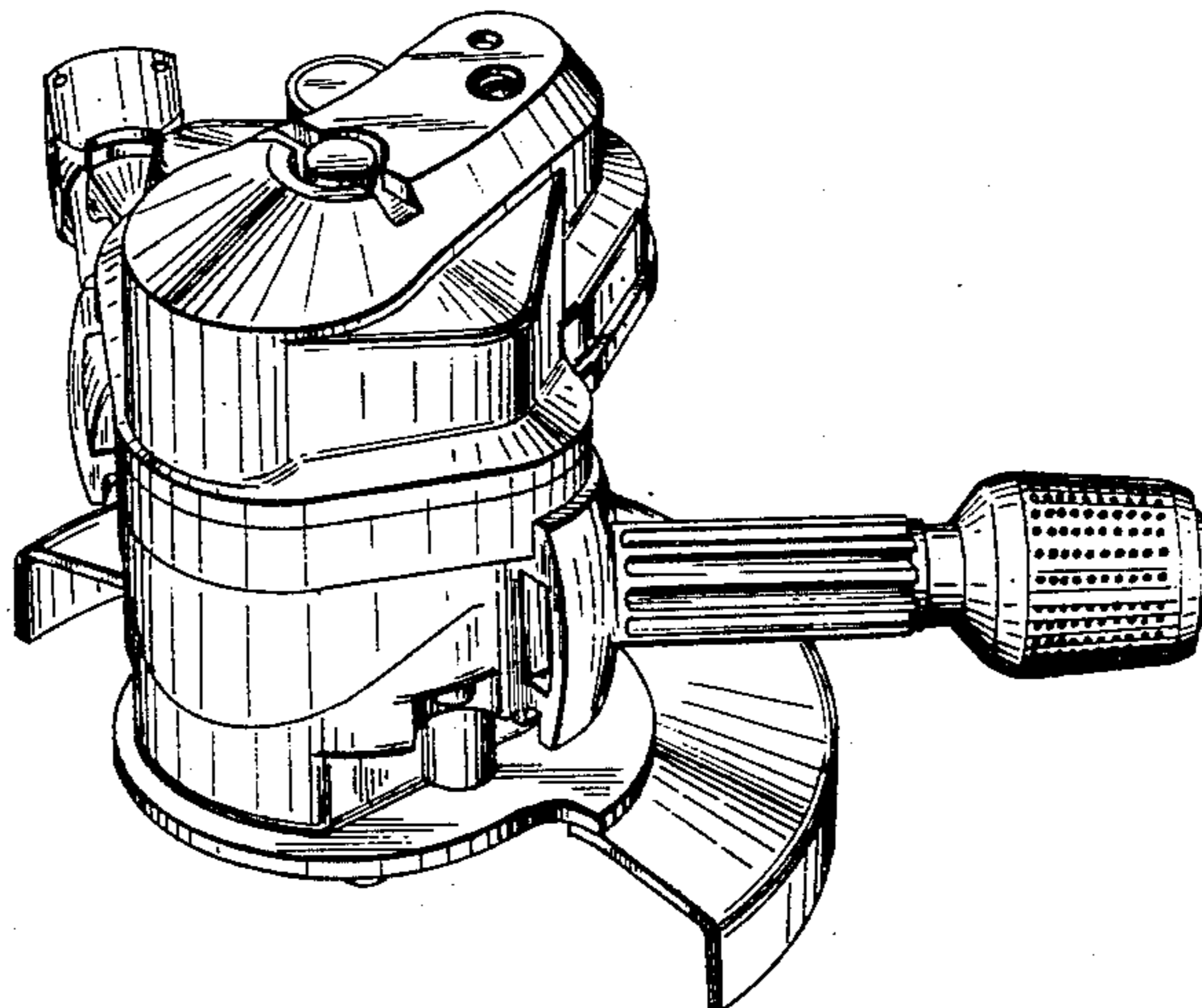
Primary Examiner—Susan J. Lucas  
Assistant Examiner—C. E. Heflin  
Attorney, Agent, or Firm—Frishauf, Holtz, Goodman & Woodward

[57] CLAIM

The ornamental design for a portable grinding machine, as shown.

DESCRIPTION

FIG. 1 is a perspective view of a portable grinding machine showing our new design; FIG. 2 is a top plan view thereof; FIG. 3 is a front view thereof; FIG. 4 is a left side view thereof; FIG. 5 is a right side view thereof; FIG. 6 is a rear view thereof; and FIG. 7 is a bottom view thereof.



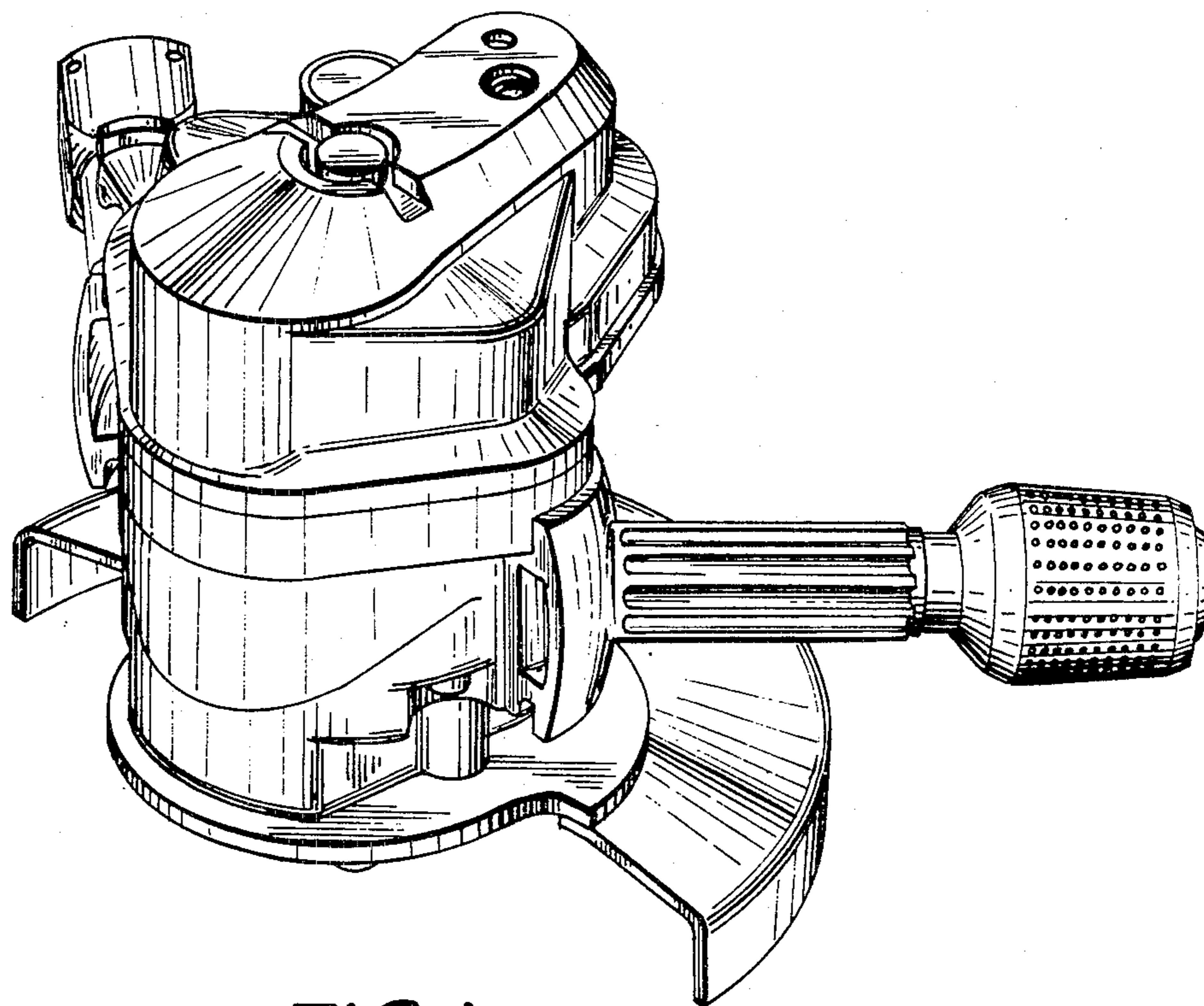


FIG. 1

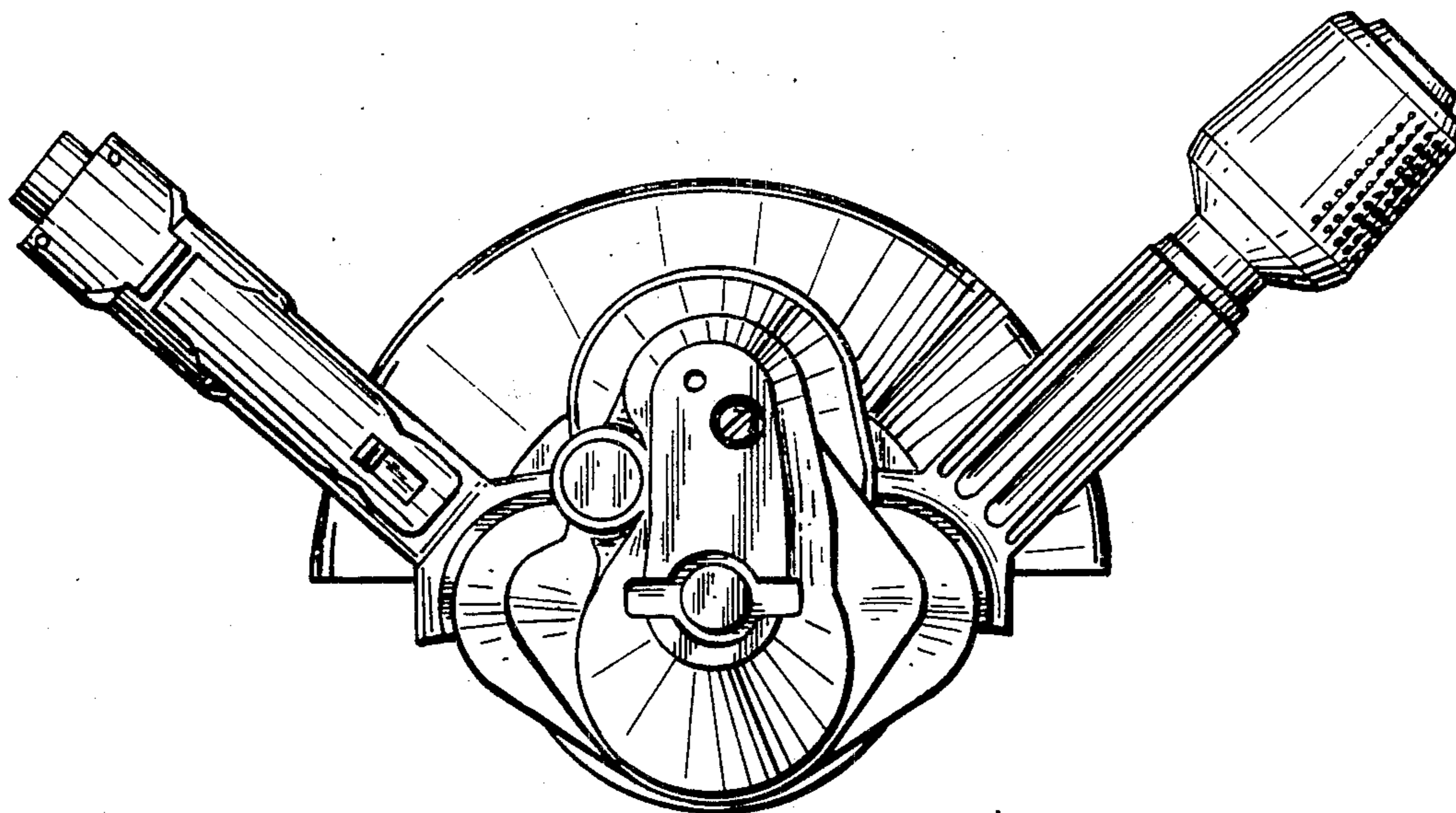


FIG. 2

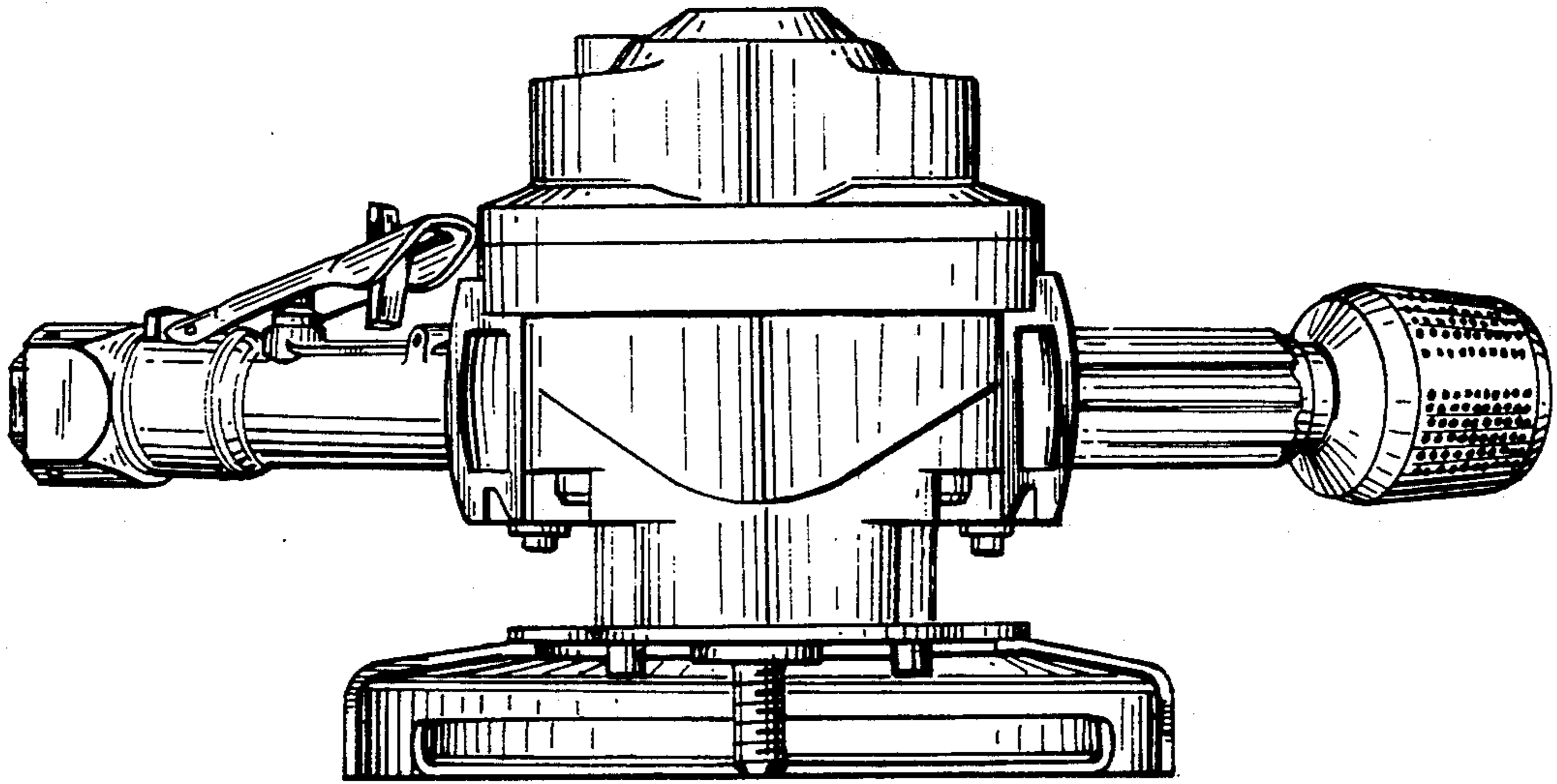


FIG. 3

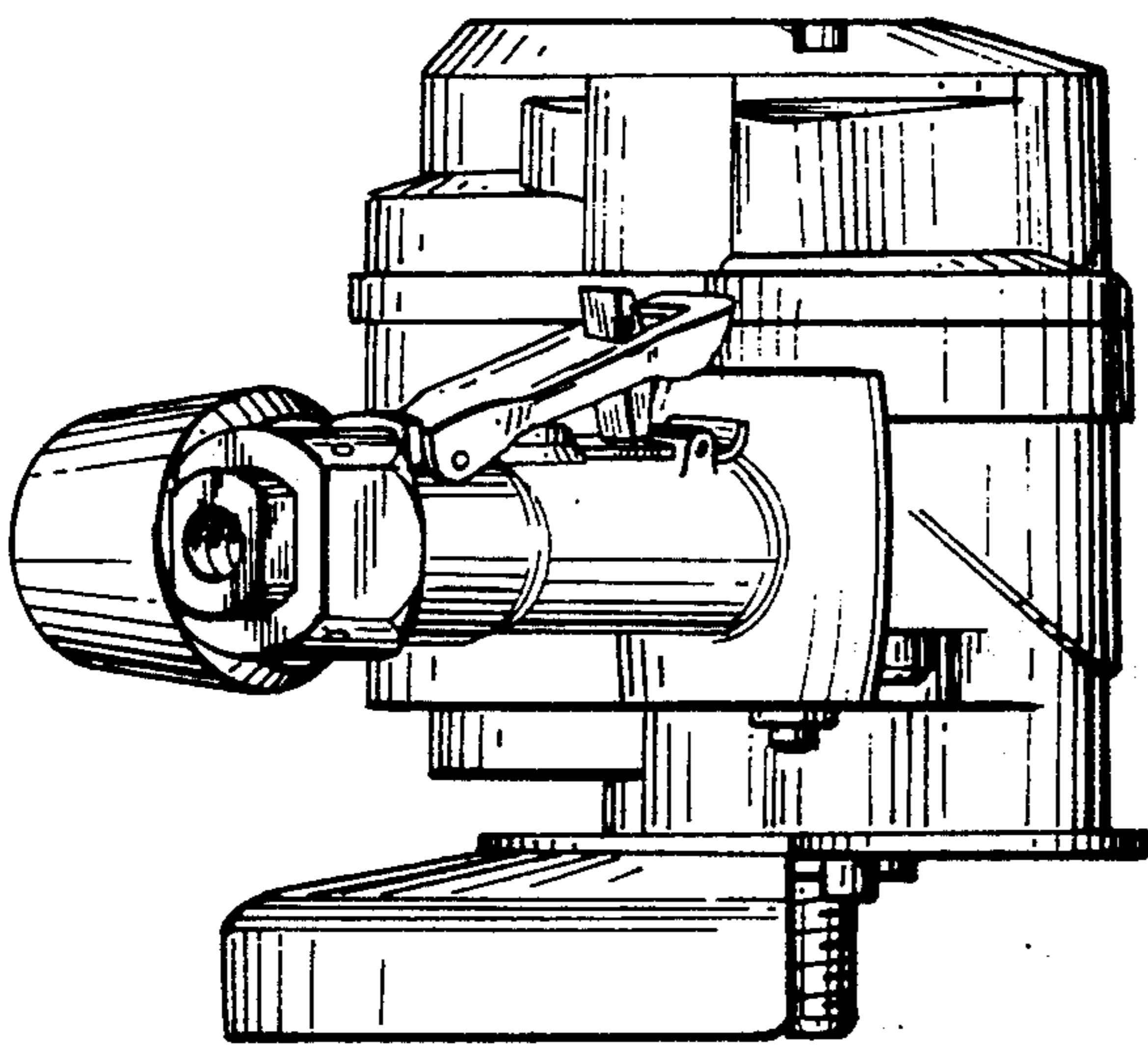


FIG. 4

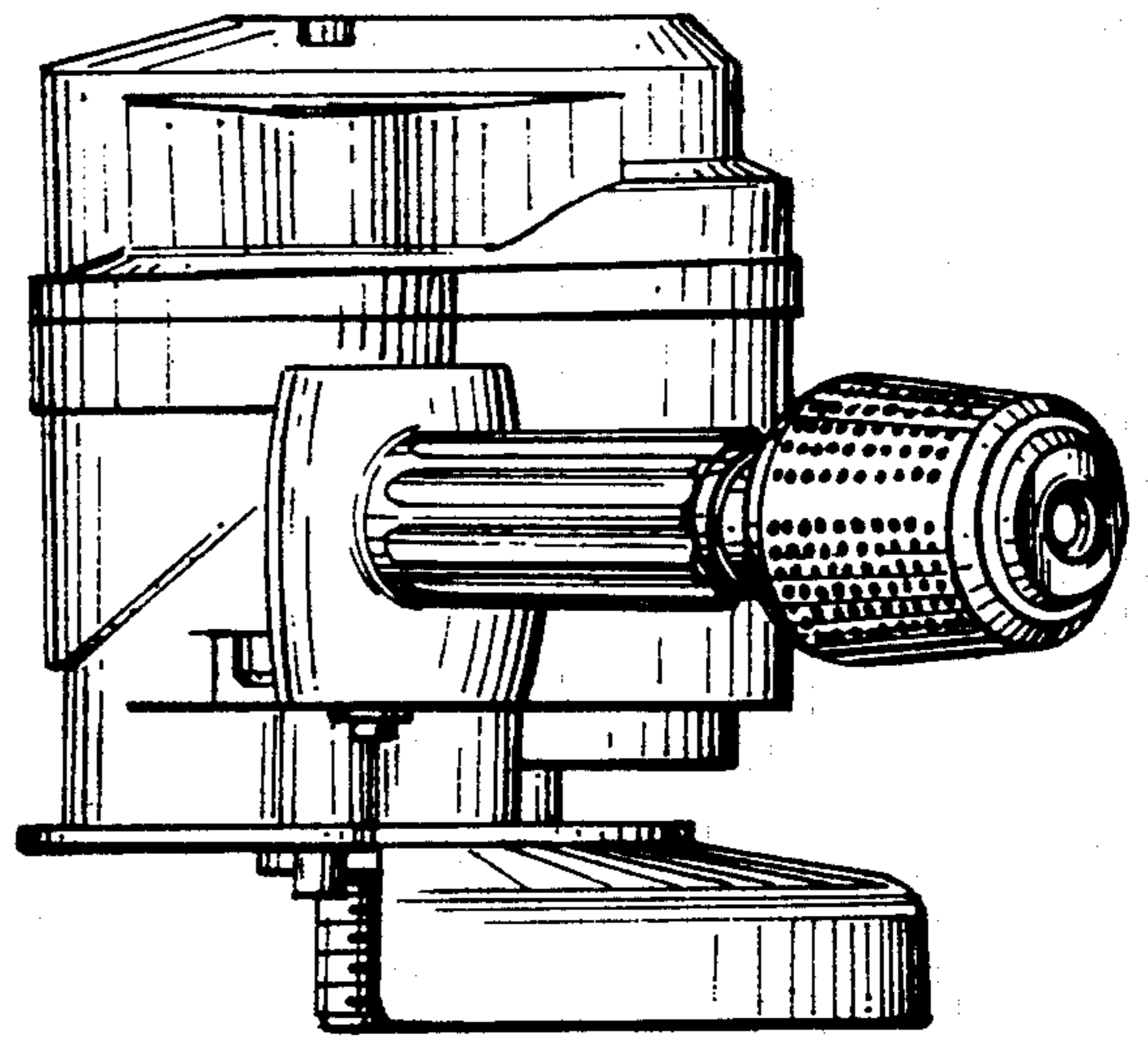


FIG. 5

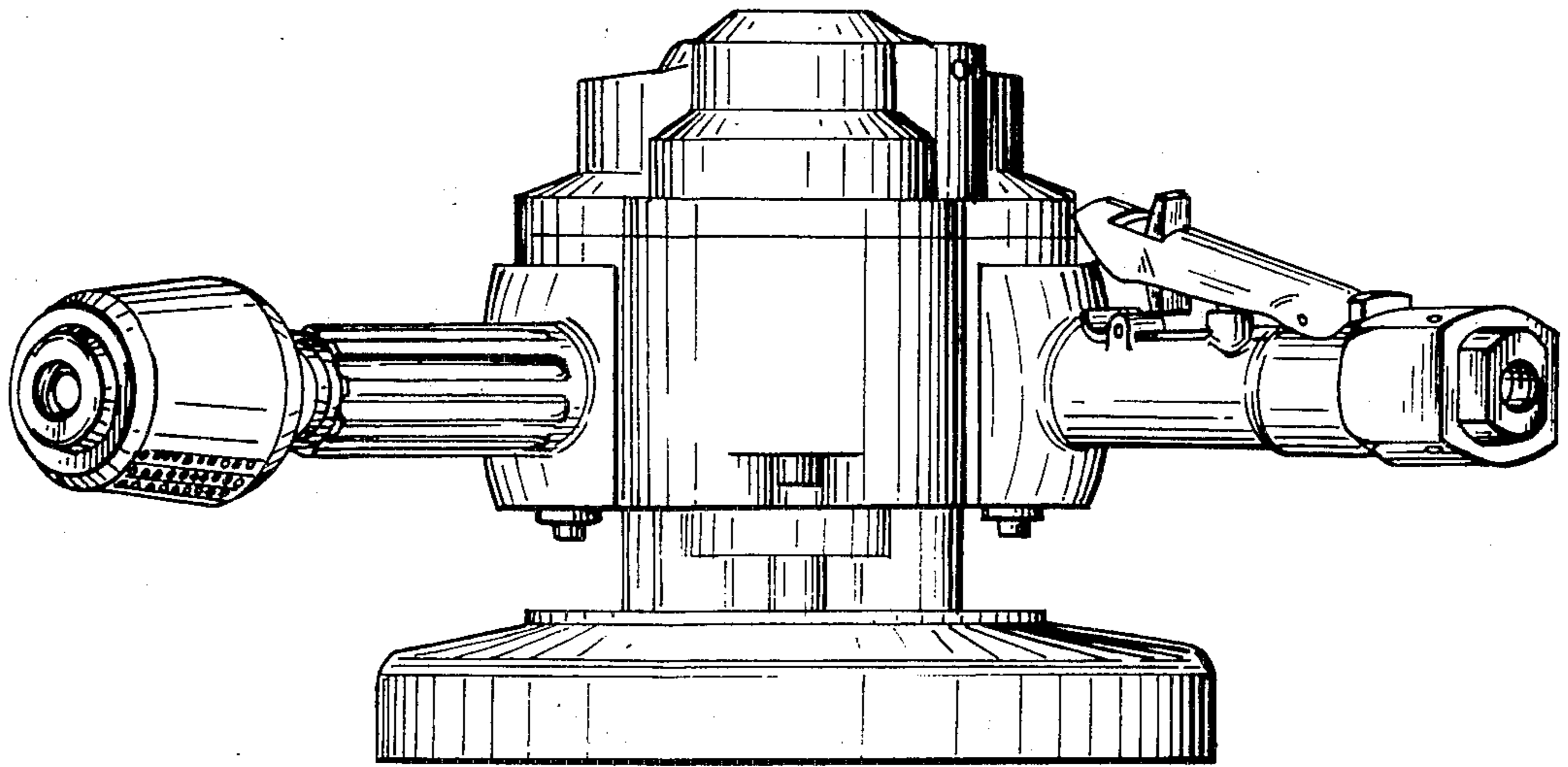


FIG. 6

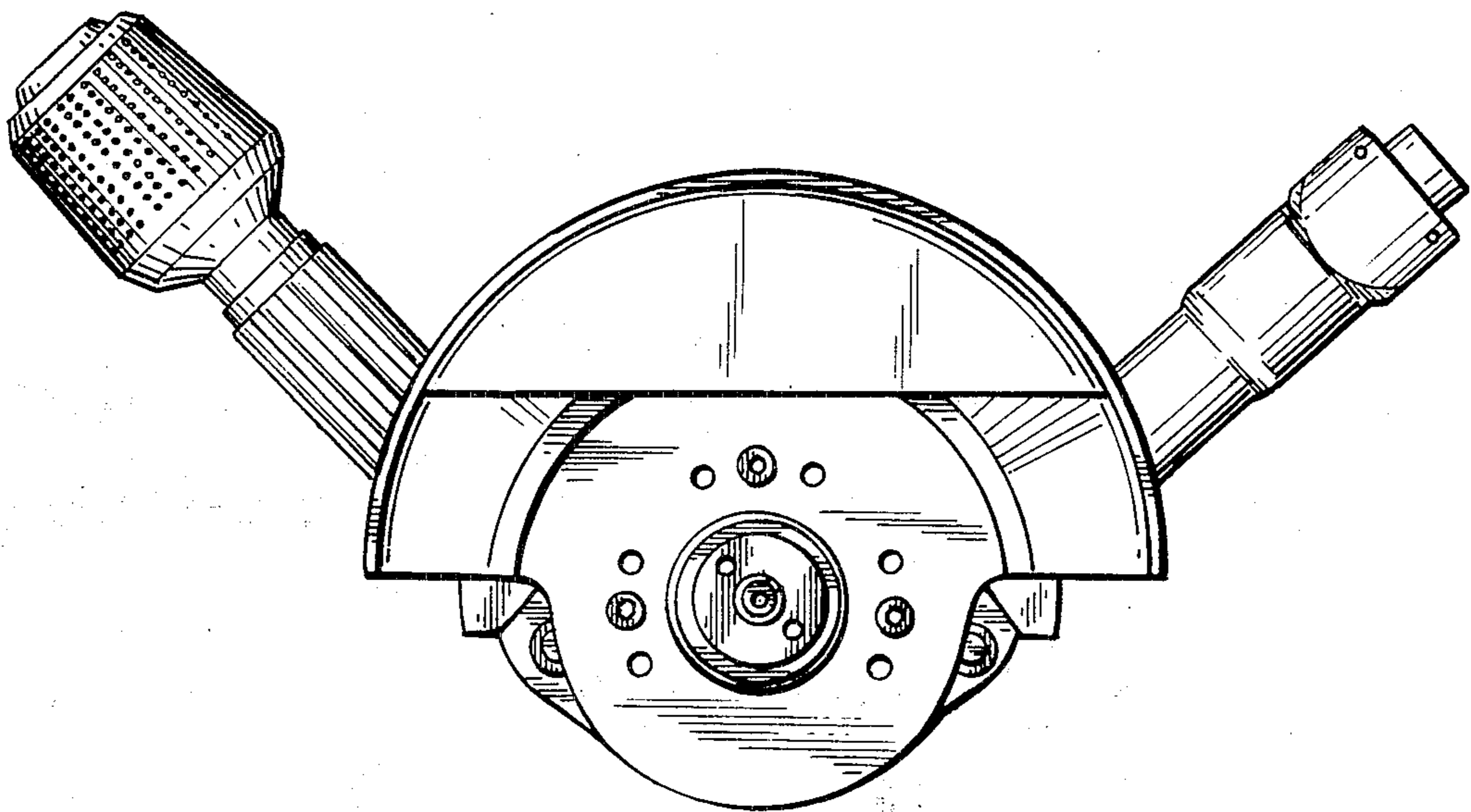


FIG. 7