

[54] TOOL HOLDER

[75] Inventors: Robert C. Berfield, Jersey Shore; John S. Kriner, Williamsport, both of Pa.

[73] Assignee: Shop-Vac Corporation, Williamsport, Pa.

[**] Term: 14 Years

[21] Appl. No.: 687,835

[22] Filed: Dec. 31, 1984

[52] U.S. Cl. D6/553; D6/469; D6/574

[58] Field of Search D6/553, 510, 524, 573, D6/567, 574, 462, 509, 466, 511, 467, 449, 468, 469; D8/71, 380, 381; 211/70.6, 69, 69.1

[56] References Cited

U.S. PATENT DOCUMENTS

- D. 192,677 5/1962 Schaefer D6/510
- D. 262,504 1/1982 Flynn D6/574
- D. 275,163 8/1984 Levy et al. D6/553

- 2,805,777 9/1957 Larson 211/70.6 X
- 3,705,680 12/1972 Siegel D8/71 X
- 3,737,131 6/1973 Larson 211/70.6 X
- 4,343,172 8/1982 Nordlund 211/70.6 X

Primary Examiner—Carmen H. Vales
Attorney, Agent, or Firm—Ostrolenk, Faber, Gerb & Soffen

[57] CLAIM

The ornamental design for a tool holder, as shown and described.

DESCRIPTION

FIG. 1 is a perspective view of a tool holder showing our new design;
 FIG. 2 is a top plan view thereof;
 FIG. 3 is a bottom plan view thereof;
 FIG. 4 is a front elevational view thereof;
 FIG. 5 is a rear elevational view thereof;
 FIG. 6 is a right side elevational view taken from FIG. 1, the left side being a mirror image; and
 FIG. 7 is a cross-sectional view taken along line 7—7 of FIG. 3.

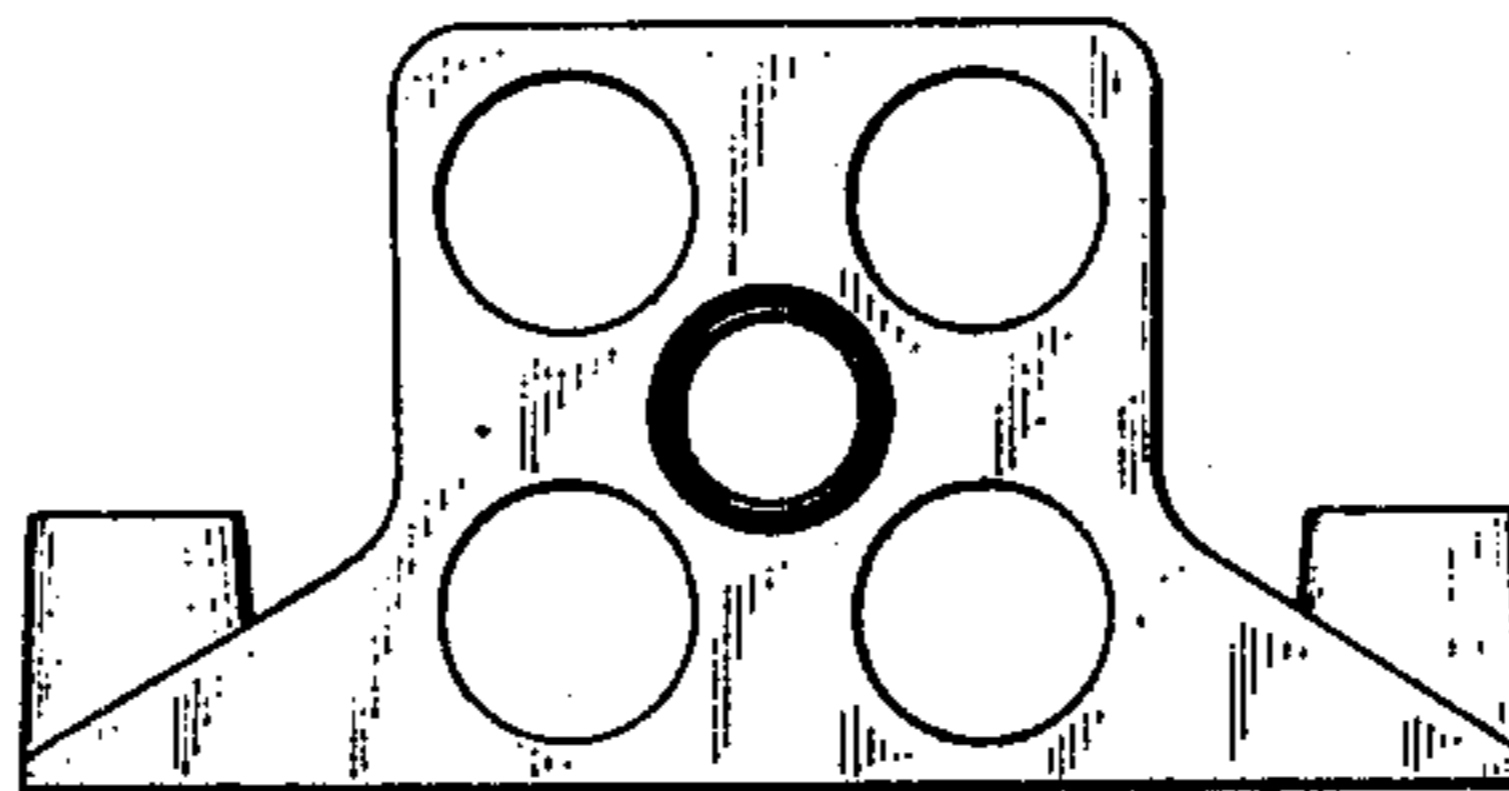
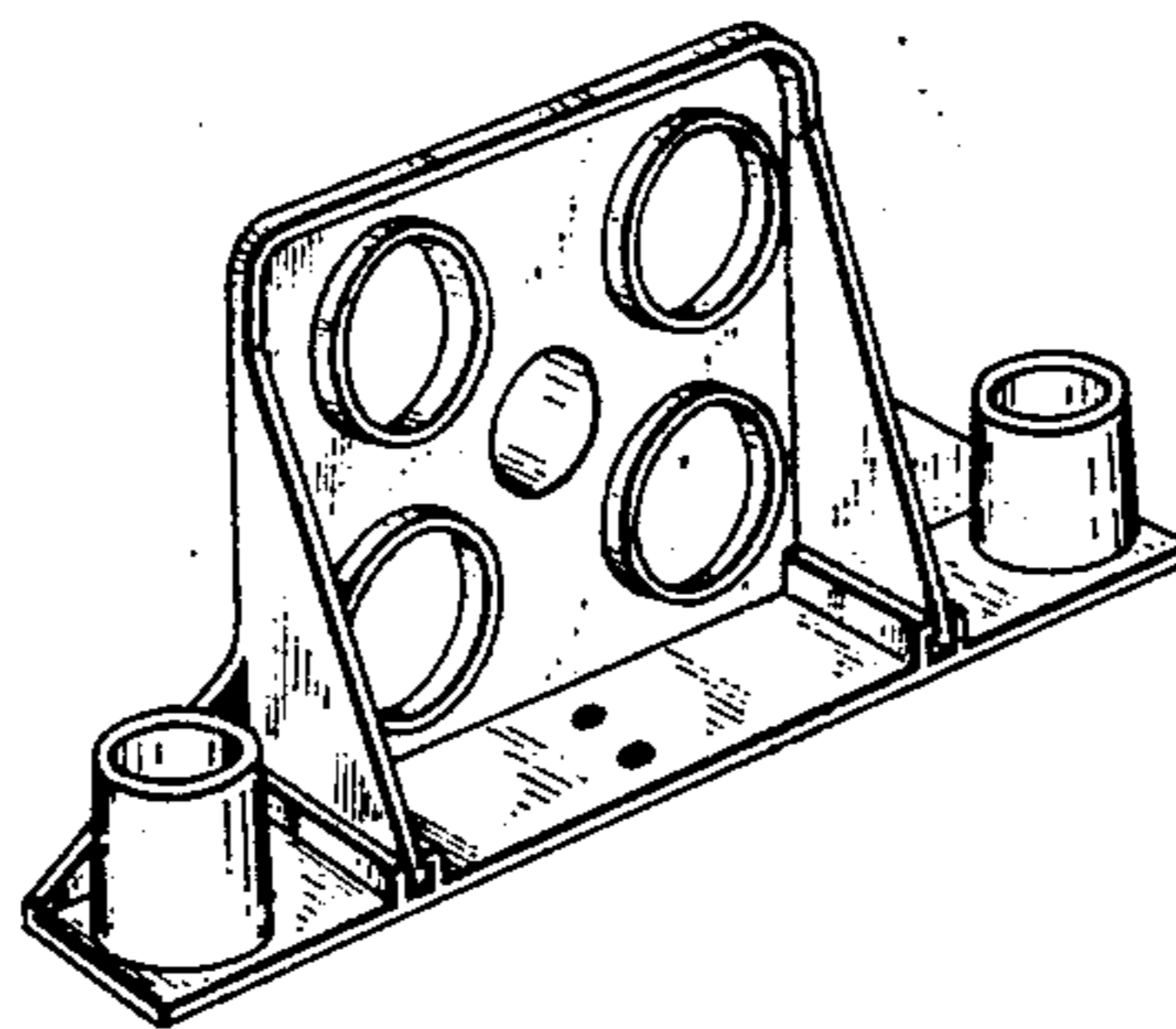


FIG. 1.

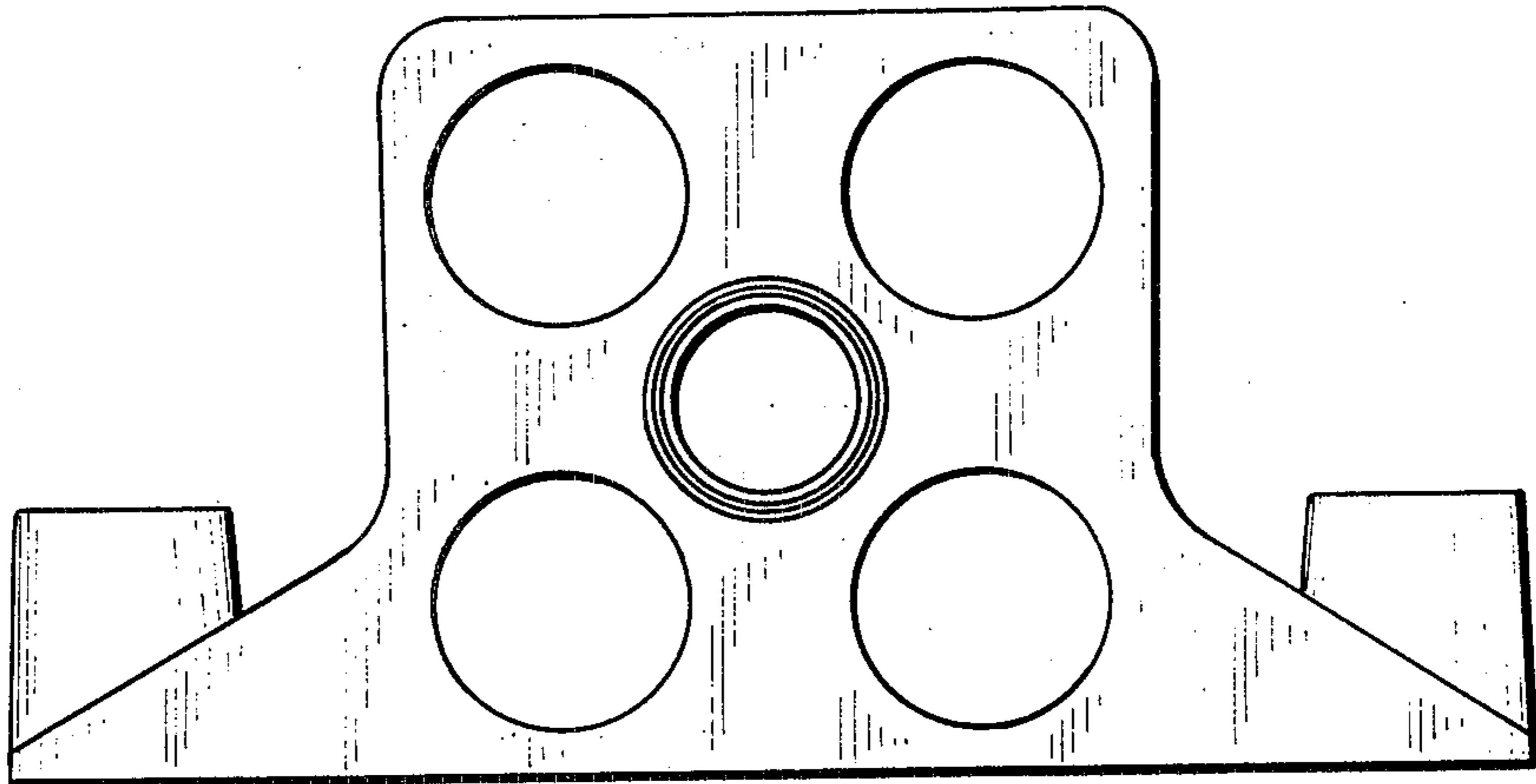
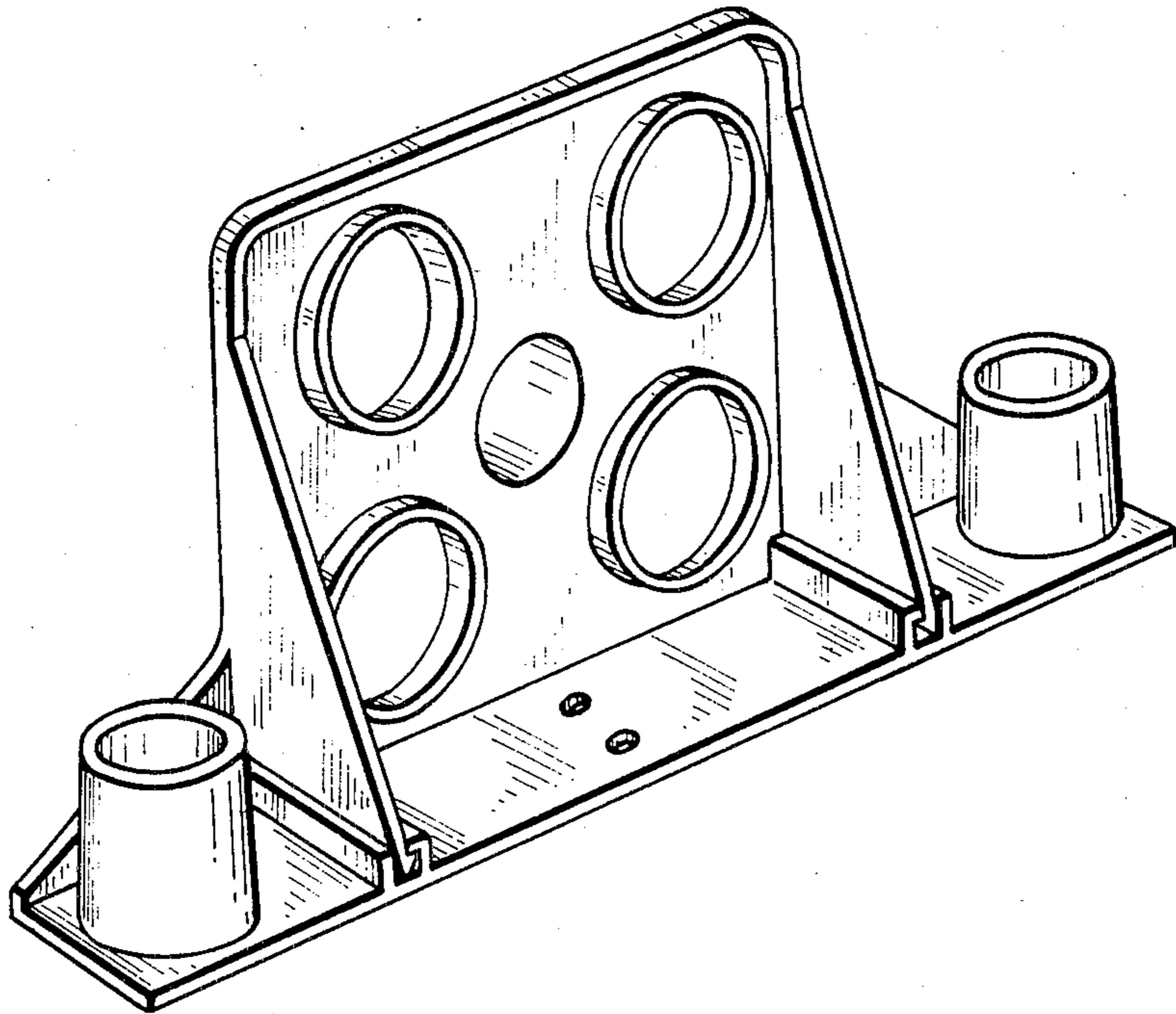


FIG. 2.

