

[54] **DISPENSER CASE FOR A CONTACT LENS CLEANING FABRIC**

[75] **Inventor: Jane W. Loughridge, St. Paul, Minn.**

[73] **Assignee: Minnesota Mining and Manufacturing Company, St. Paul, Minn.**

[**] **Term: 14 Years**

[21] **Appl. No.: 639,245**

[22] **Filed: Aug. 9, 1984**

[52] **U.S. Cl. D6/518**

[58] **Field of Search D6/466, 467, 469, 578, D6/579; 206/409, 581, 564; 242/55.53**

[56] **References Cited**

U.S. PATENT DOCUMENTS

- 2,434,194 1/1948 Broeren et al. 242/55.53
- 3,134,525 5/1964 Holcombe 206/409
- 4,324,603 4/1982 Crandall et al. 242/55.53

4,382,510 5/1983 Gaffney 206/409

FOREIGN PATENT DOCUMENTS

1323209 2/1963 France 206/409

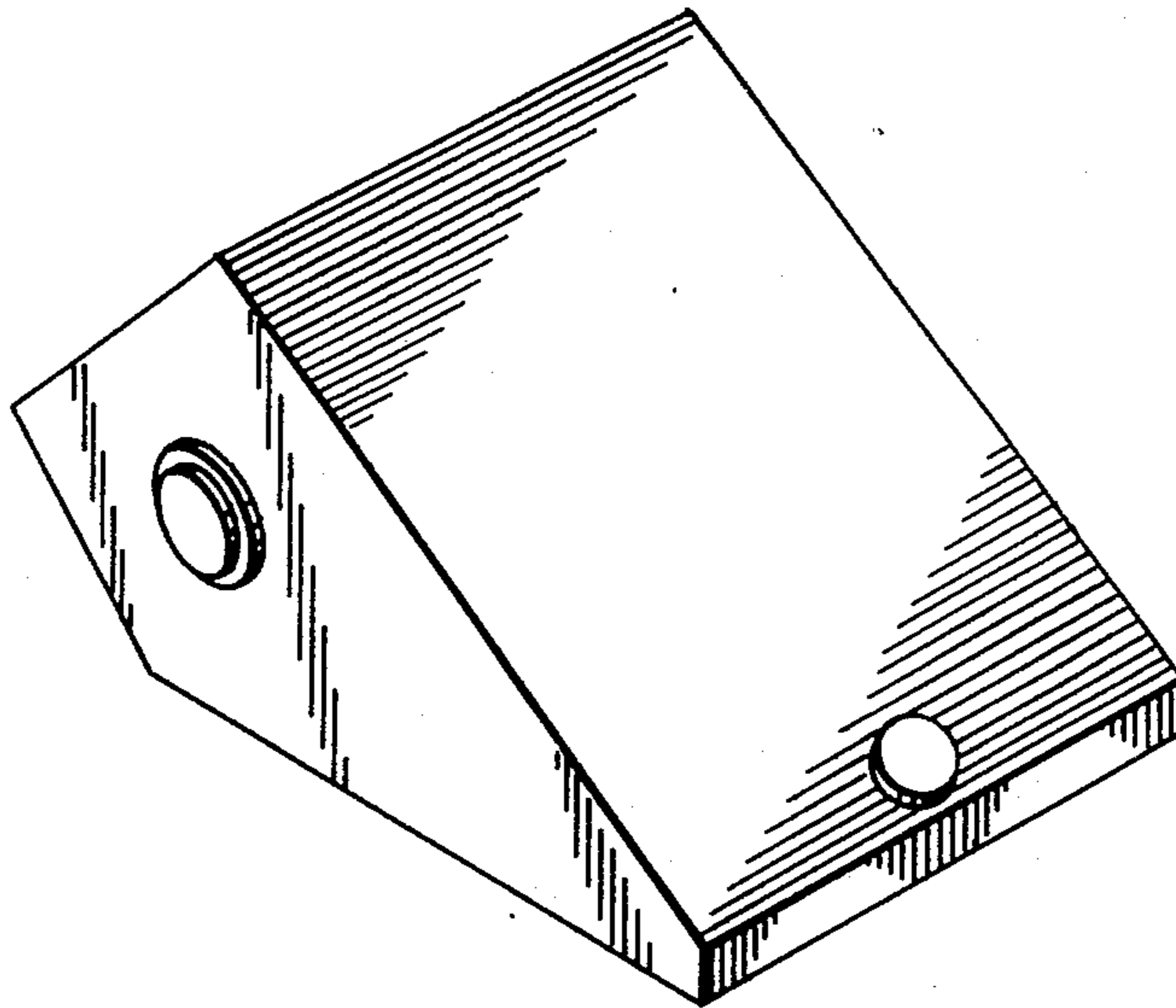
Primary Examiner—B. J. Bullock
Attorney, Agent, or Firm—Donald M. Sell; James A. Smith; James V. Lilly

[57] **CLAIM**

The ornamental design for a dispenser case for a contact lens cleaning fabric, substantially as shown and described.

DESCRIPTION

FIG. 1 is a perspective view of a dispenser case for a contact lens cleaning fabric showing my new design; FIG. 2 is an enlarged top plan view thereof; FIG. 3 is an enlarged left side elevational view thereof, the right side being a mirror image; FIG. 4 is an enlarged front elevational view thereof; FIG. 5 is an enlarged rear elevational view thereof; FIG. 6 is an enlarged bottom plan view thereof.



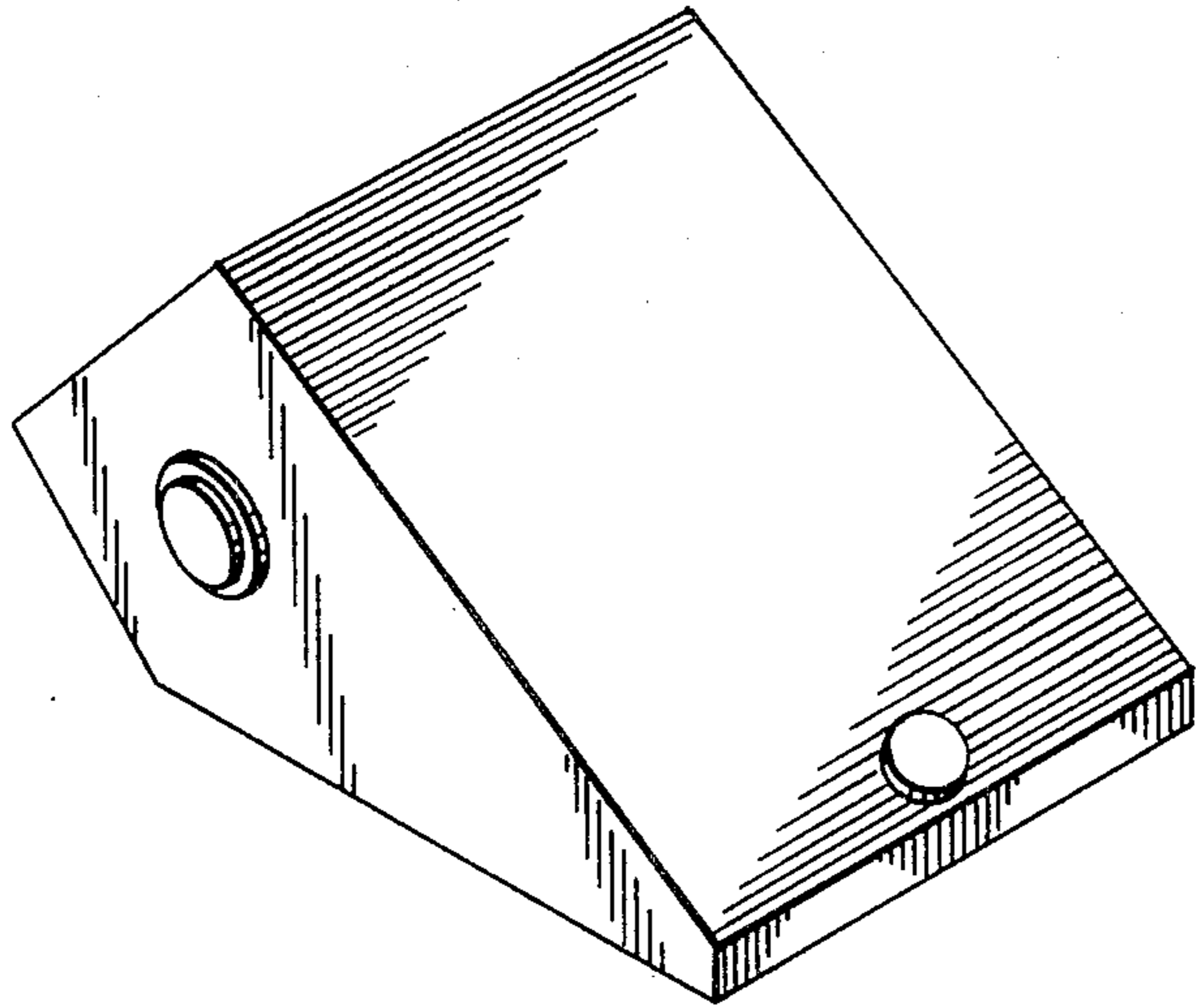


FIG. 1

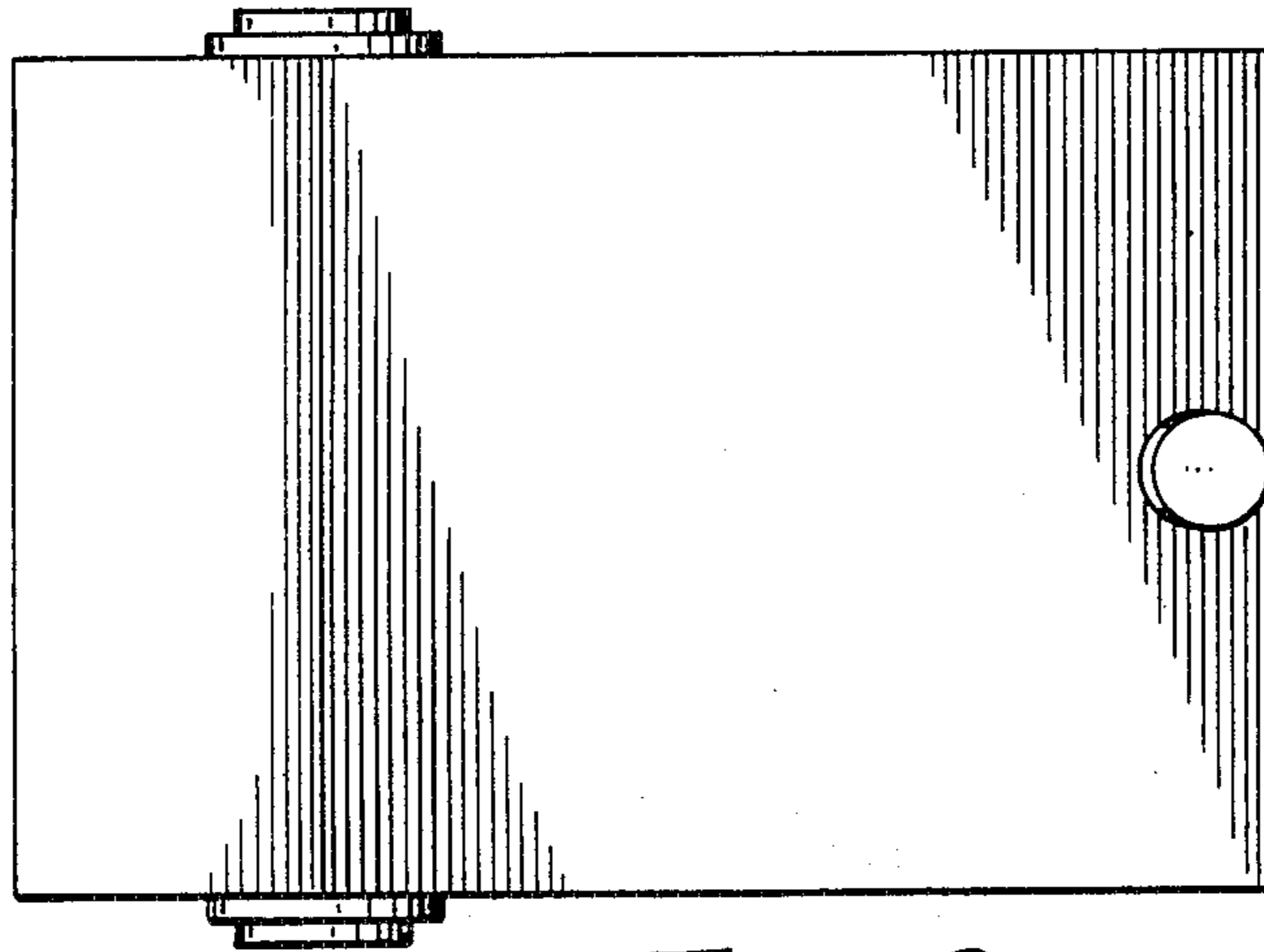


FIG. 2

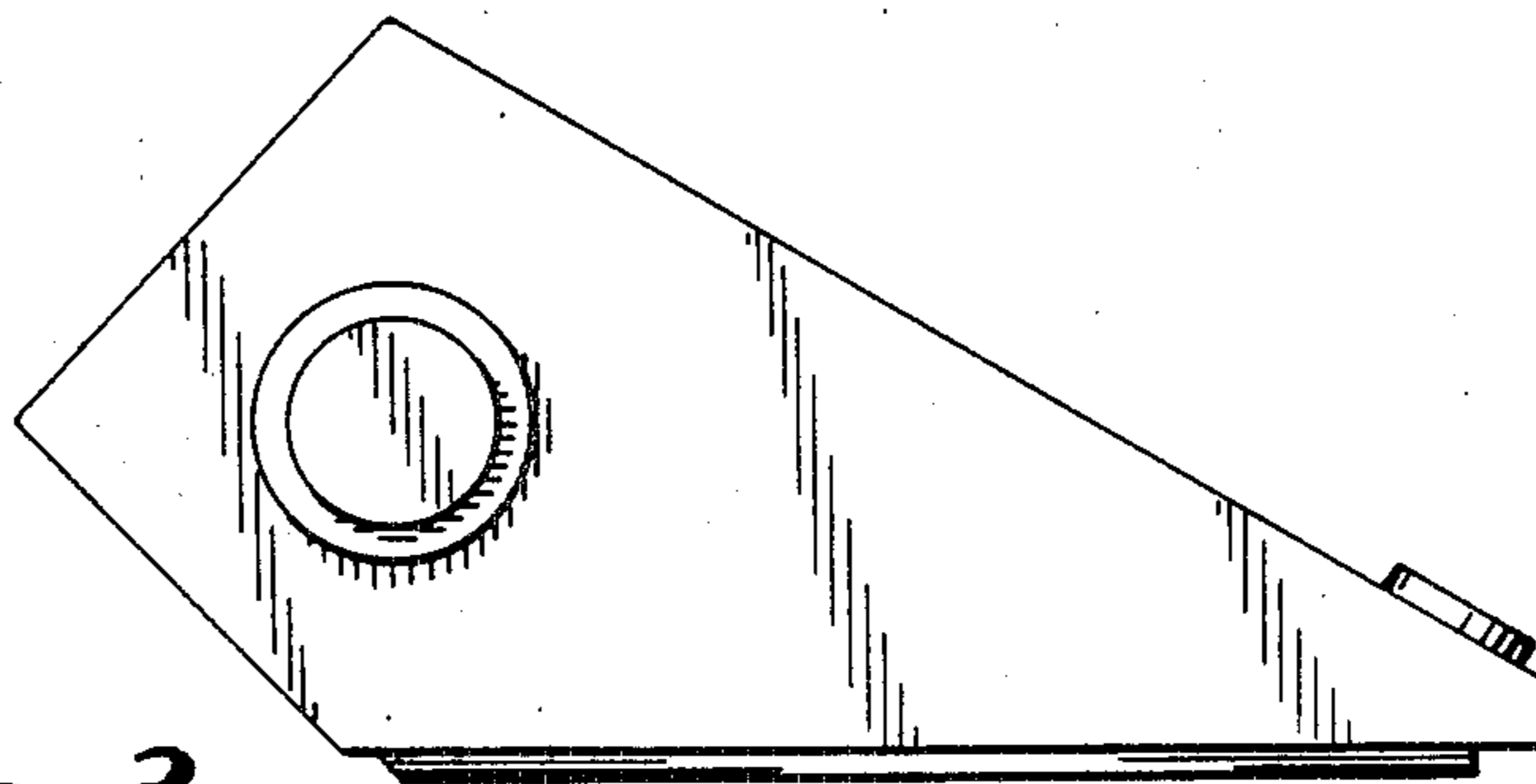


FIG. 3

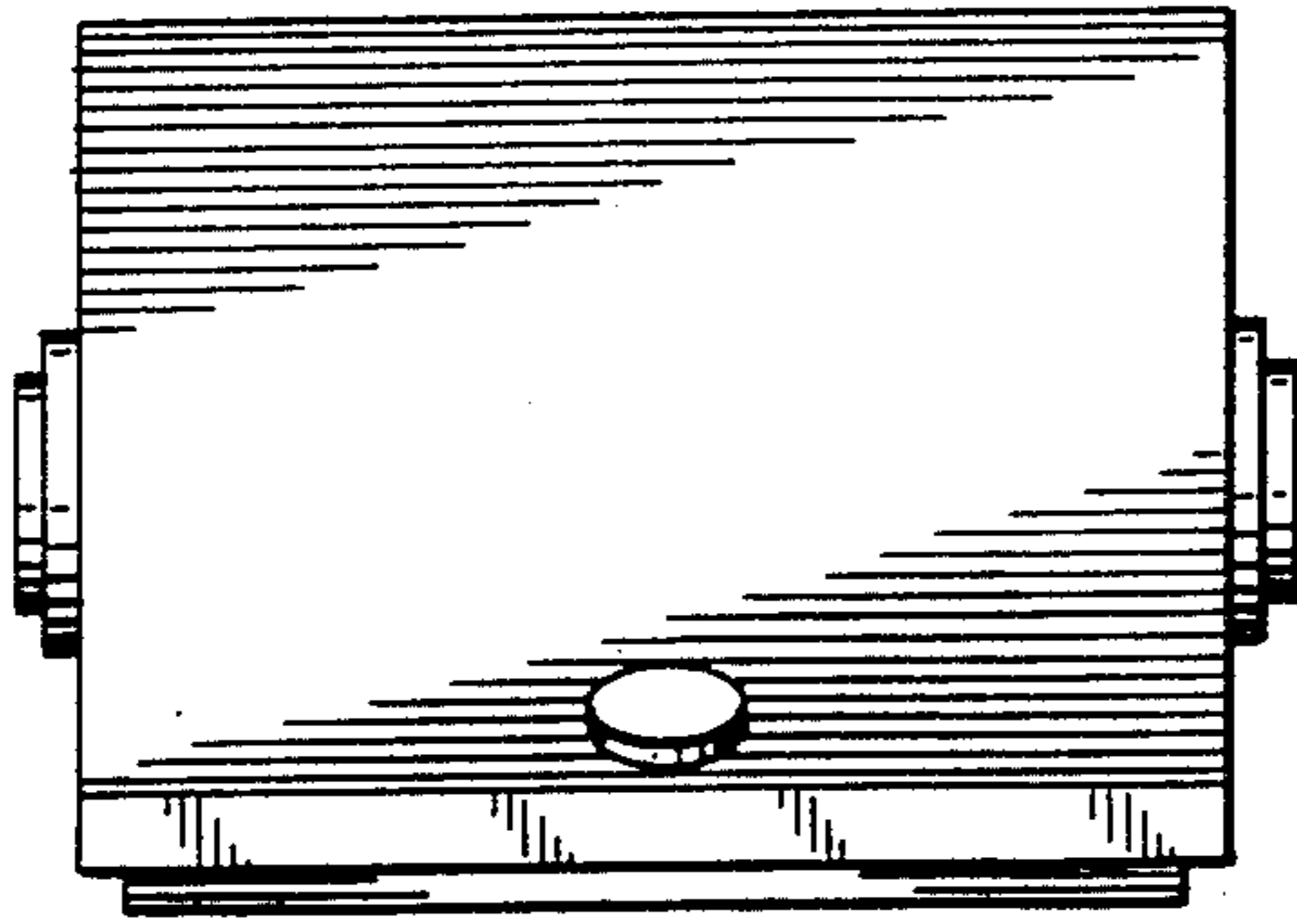


FIG. 4

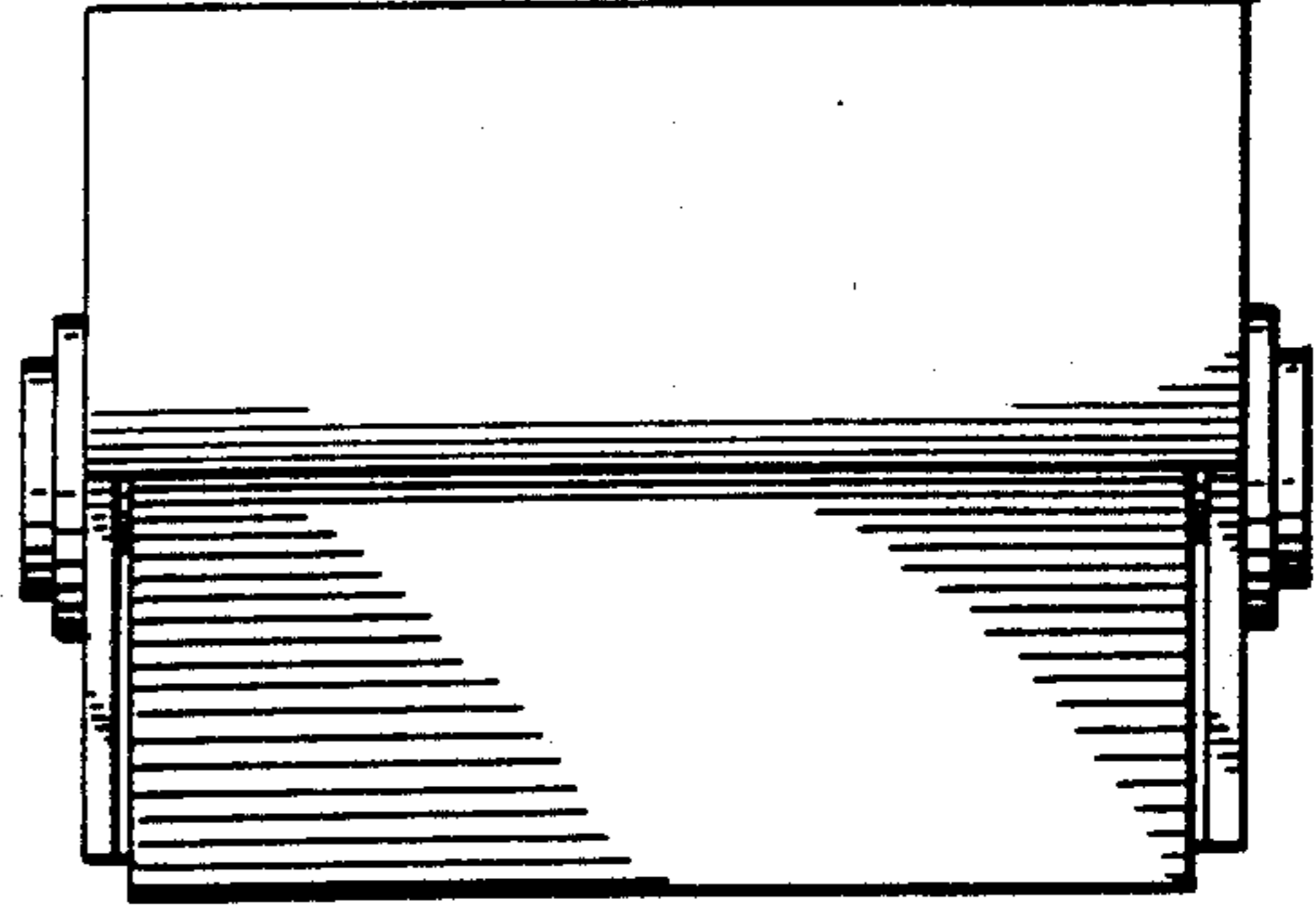


FIG. 5

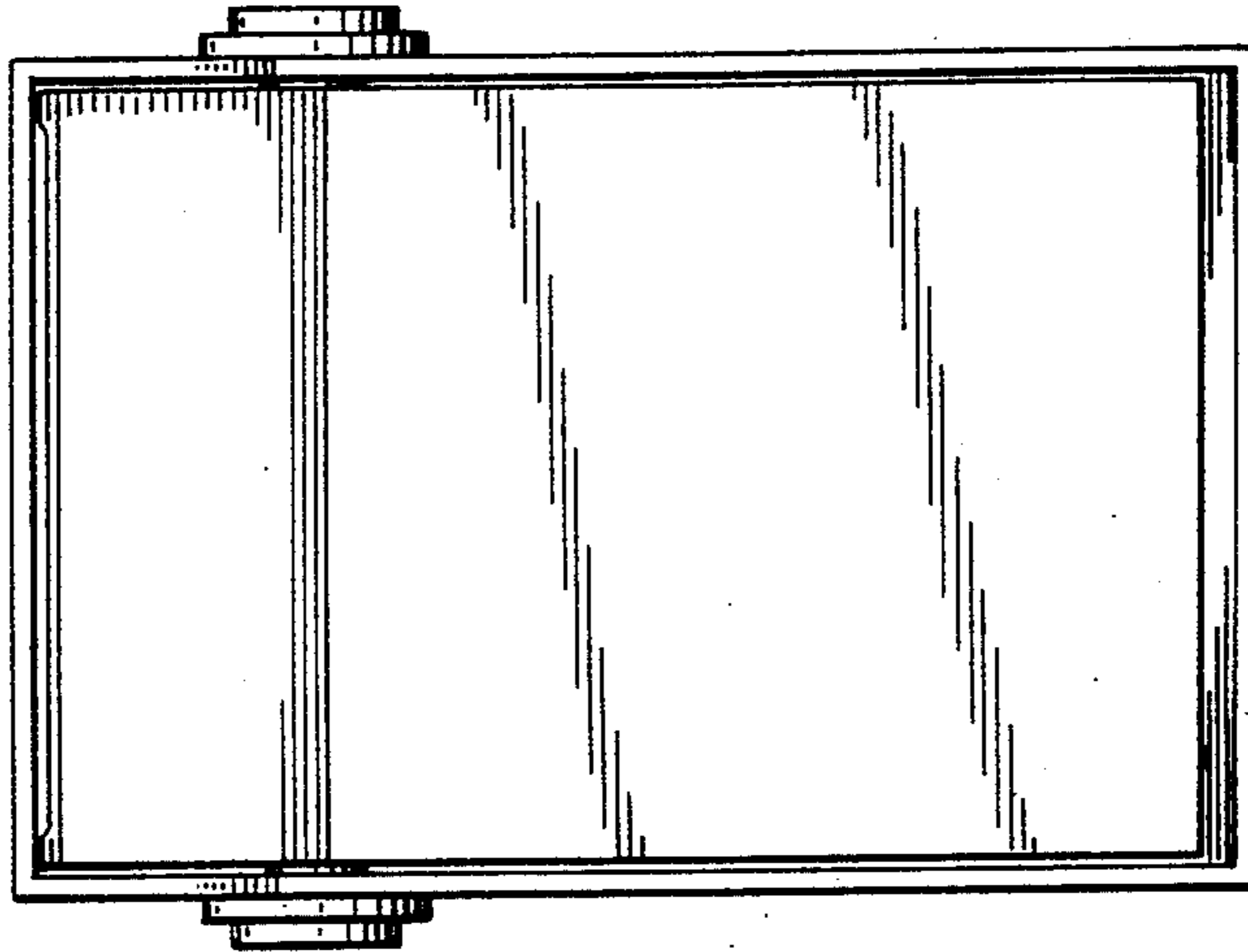


FIG. 6