

[54] **MINI KEYBOARD STAND**

[75] **Inventor:** Darrell A. Schoenig, Fort Collins, Colo.  
[73] **Assignee:** D & D Enterprises, Inc., Fort Collins, Colo.

[\*] **Notice:** The portion of the term of this patent subsequent to May 7, 1999 has been disclaimed.

[\*\*] **Term:** 14 Years

[21] **Appl. No.:** 626,536

[22] **Filed:** Jun. 29, 1984

[52] **U.S. Cl. ....** D6/462

[58] **Field of Search ....** 211/204, 206, 71, 13, 211/181, 134; D6/449, 462, 463, 464

[56] **References Cited**

**U.S. PATENT DOCUMENTS**

D. 278,670	5/1985	Schoenig	.....	D6/465 X
580,655	4/1897	Thew	.....	211/134 X
2,533,324	12/1950	Mendle	.....	211/206
2,793,764	5/1957	Stork	.....	211/204
2,893,568	7/1959	Scholz	.....	211/204
3,146,892	9/1964	White	.....	211/204

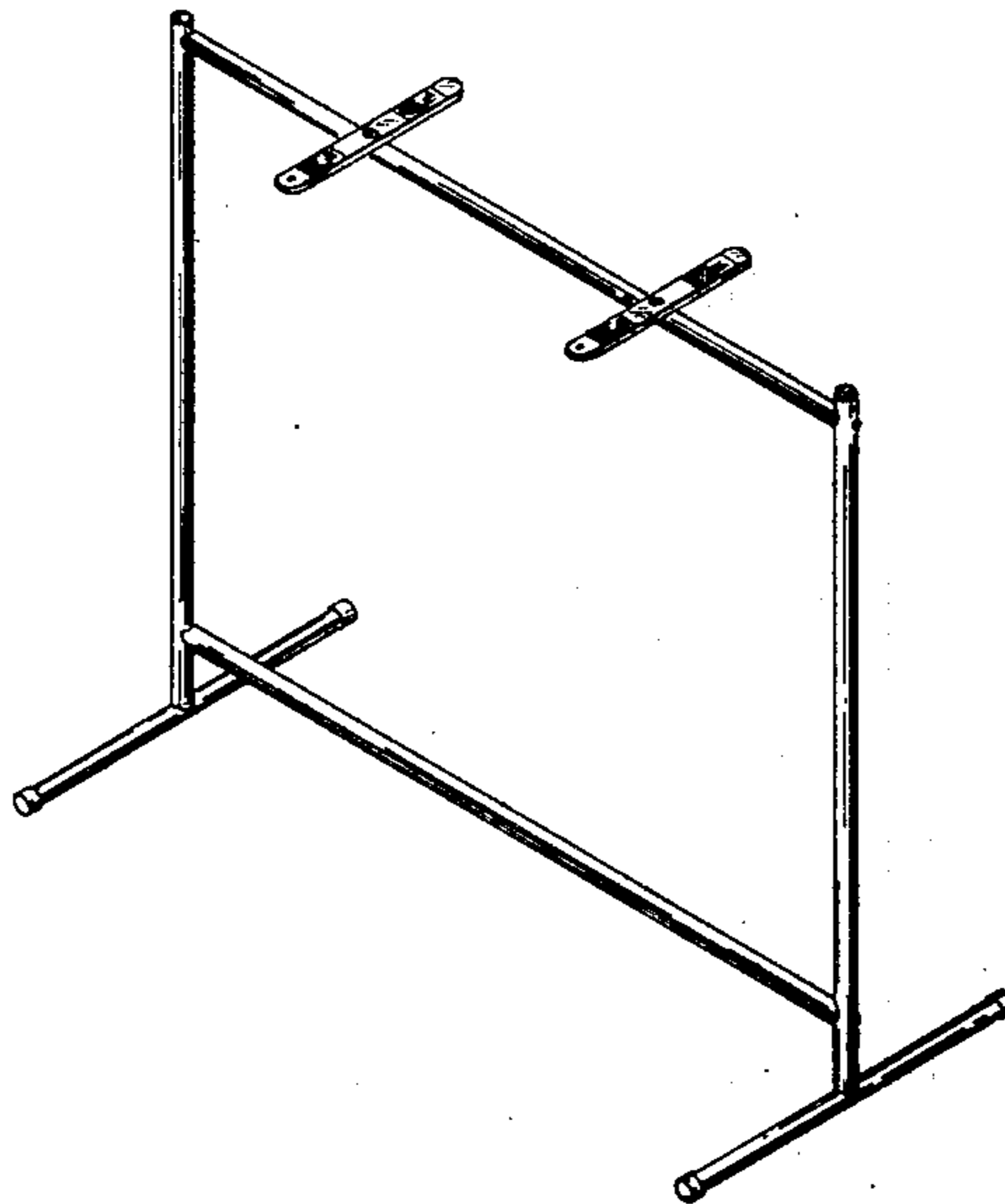
*Primary Examiner*—Carmen H. Vales  
*Attorney, Agent, or Firm*—Hugh H. Drake

[57] **CLAIM**

The ornamental design of a mini keyboard stand, as shown and described.

**DESCRIPTION**

FIG. 1 is a perspective view of a mini keyboard stand showing my new design;  
FIG. 2 is a front elevational view thereof; the rear elevational view being a mirror image;  
FIG. 3 is an end elevational view thereof; the other end elevational view being a mirror image;  
FIG. 4 is a top plan view thereof; and  
FIG. 5 is a bottom plan view thereof.



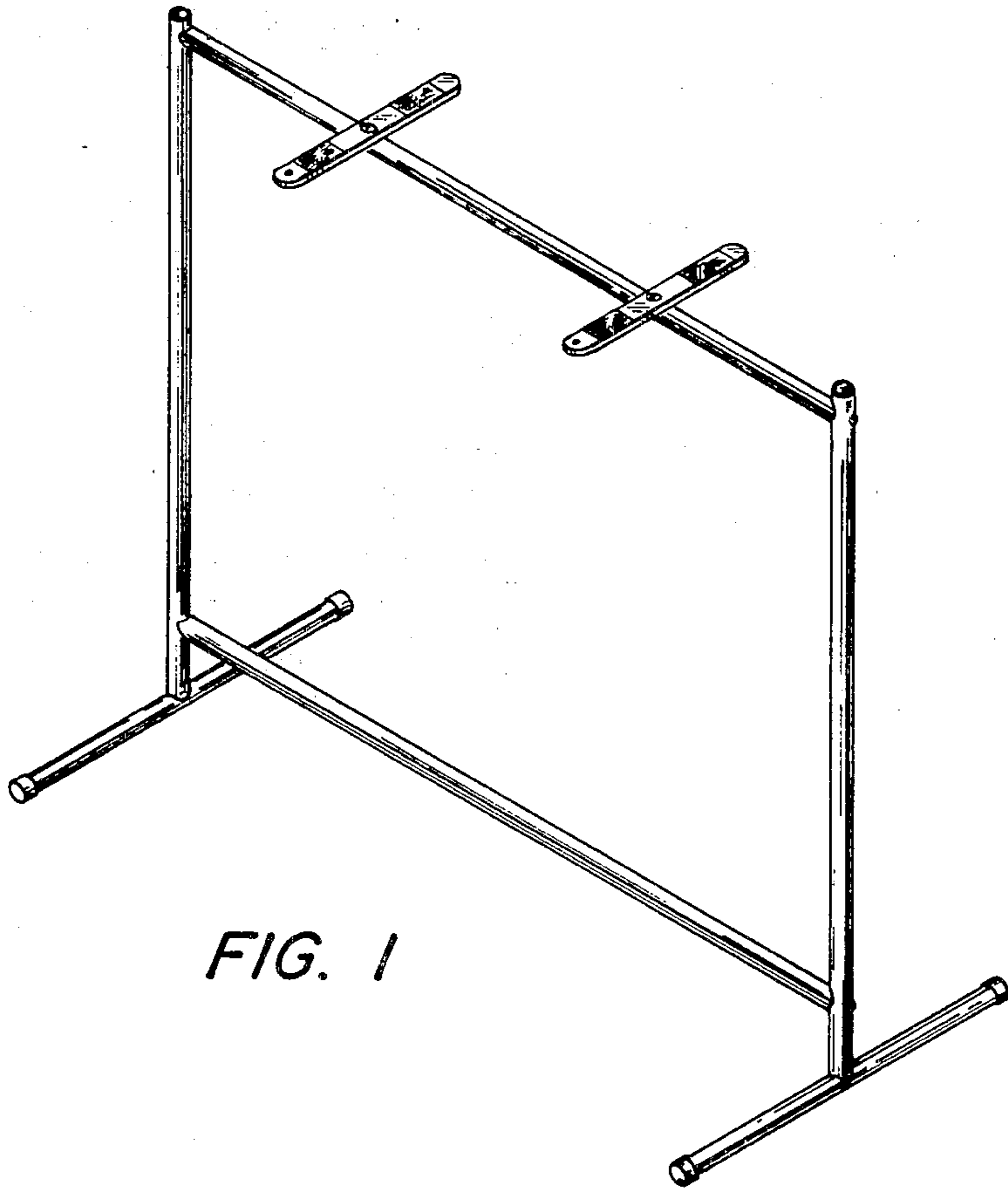


FIG. 1

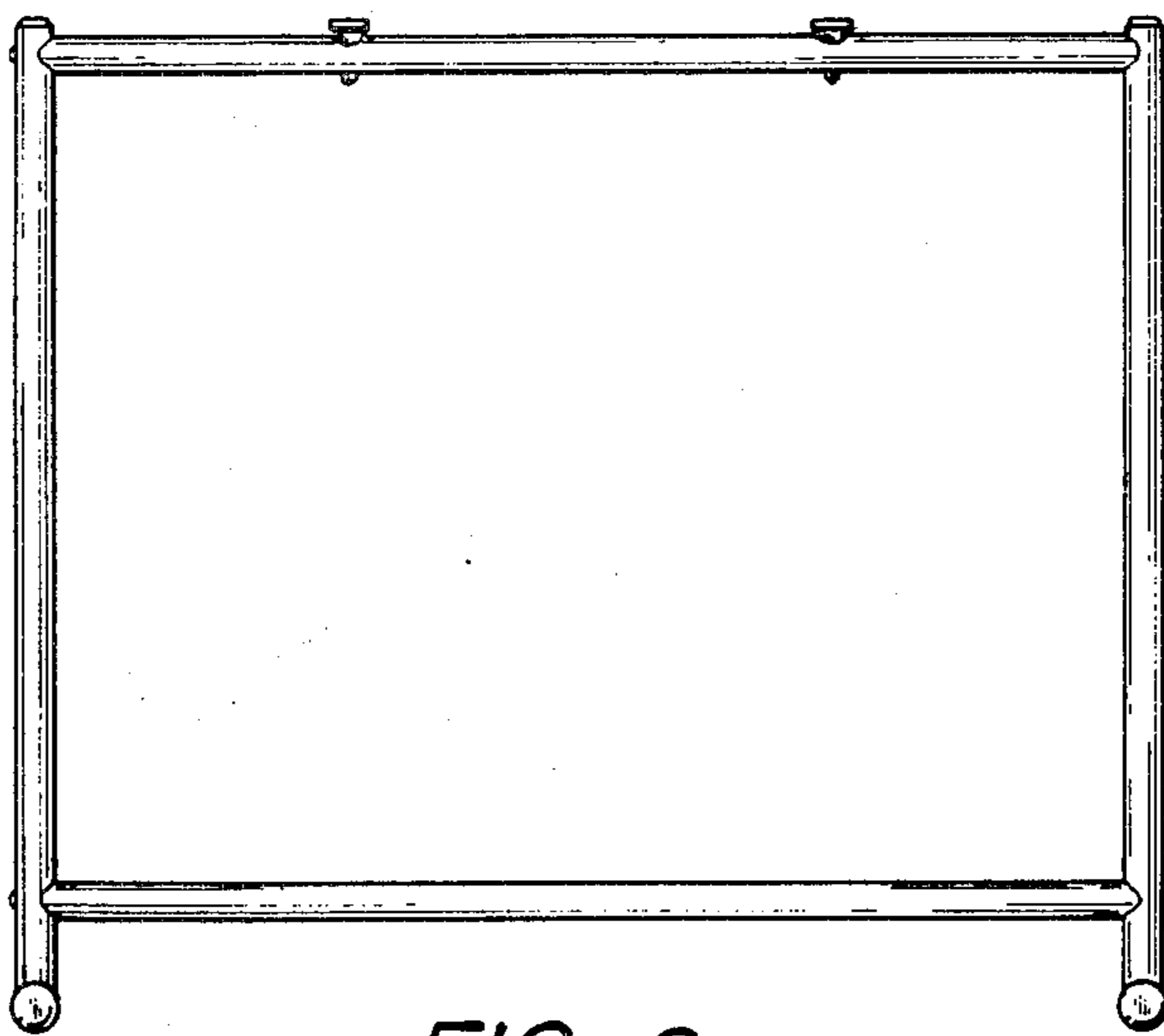


FIG. 2

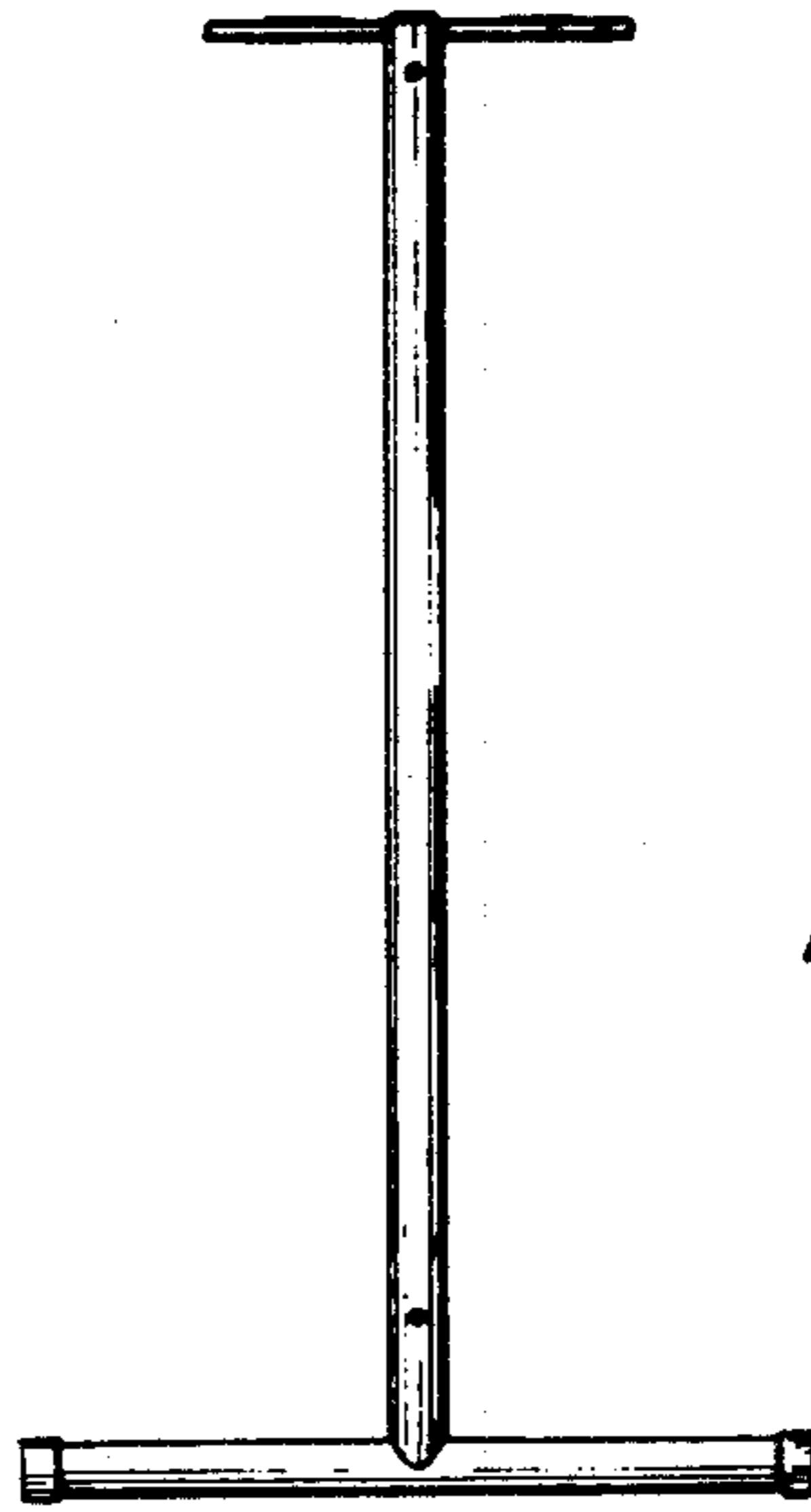


FIG. 3

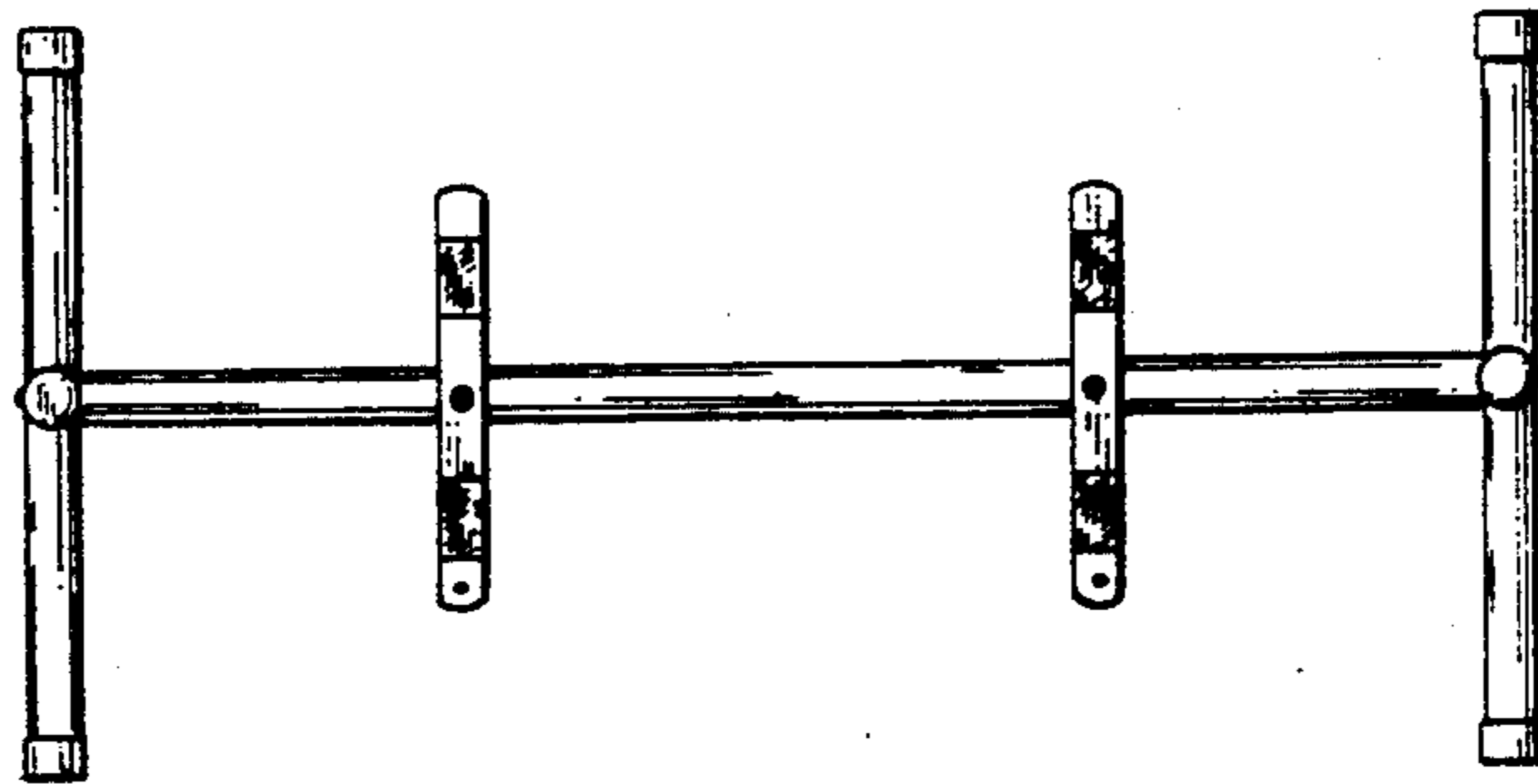


FIG. 4

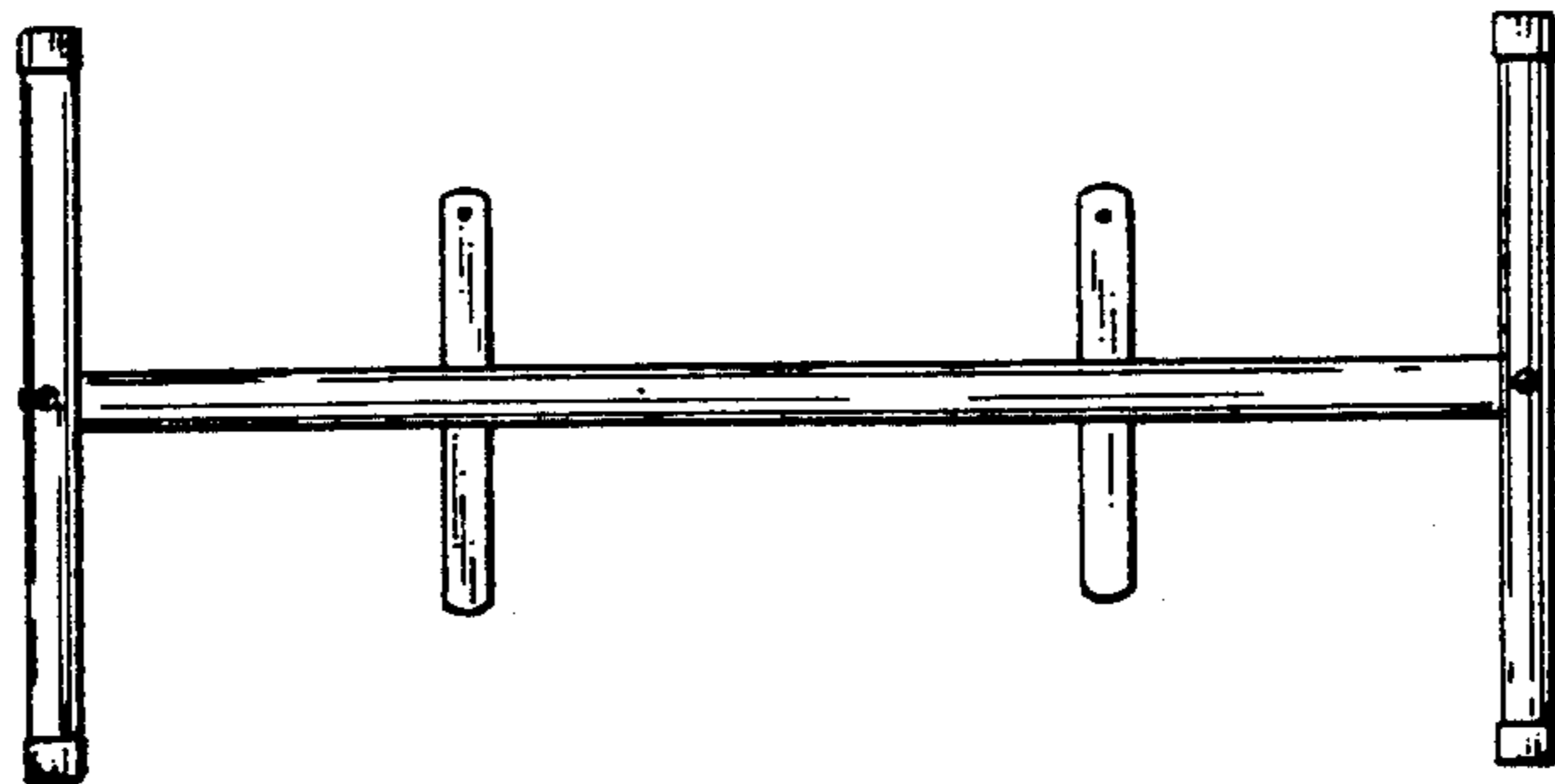


FIG. 5