

[54] **VISORED HEADBAND**

[75] **Inventor: Sherry L. Holt, Dana Point, Calif.**

[73] **Assignee: Ocean Pacific Sunwear, Ltd., Tustin, Calif.**

[**] **Term: 14 Years**

[21] **Appl. No.: 869,801**

[22] **Filed: May 28, 1986**

Related U.S. Application Data

- [63] Continuation of Ser. No. 623,236, Jun. 21, 1984.
- [52] **U.S. Cl. D2/514; D2/253**
- [58] **Field of Search D2/230, 239, 241, 244, D2/253, 247; 2/11, 12, 15; 446/26, 27**

[56] **References Cited**

U.S. PATENT DOCUMENTS

D. 121,538	7/1940	Bressler	D2/241
D. 263,092	2/1982	Fay	D2/241
D. 267,752	2/1983	Fairbrother	D2/241
1,506,664	8/1924	Pickard	2/12
1,575,219	3/1926	McClay et al.	2/12
1,809,956	6/1931	Wrenshall	2/12
2,016,210	10/1935	Mann	2/171
2,092,805	9/1937	Jones	2/12
2,696,007	12/1954	Larkin et al.	2/171
4,393,519	7/1983	Nicastro	2/12

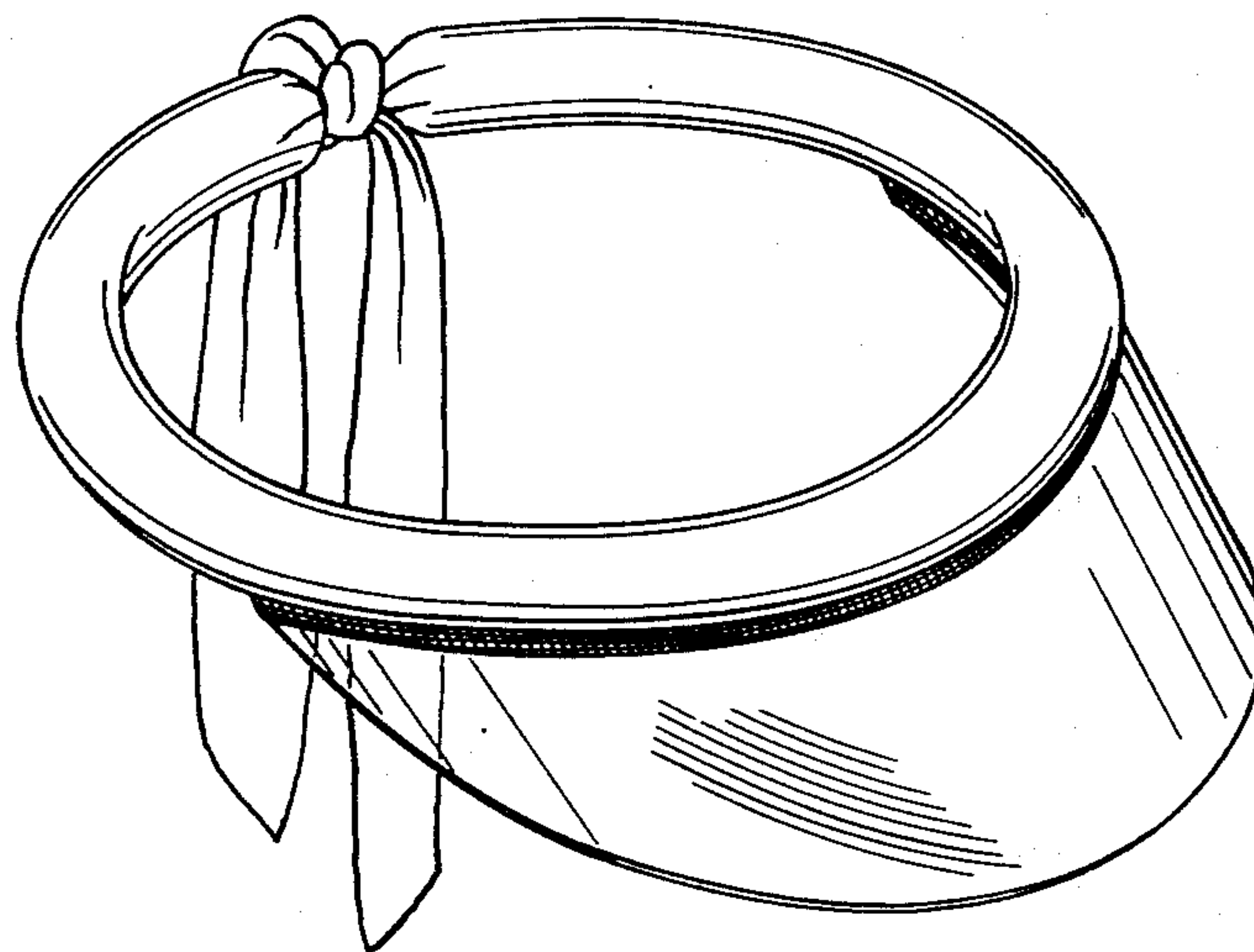
Primary Examiner—Carmen H. Vales

[57] **CLAIM**

The ornamental design for a visored headband, substantially as shown.

DESCRIPTION

FIG. 1 is a perspective view of a visored headband, showing my new design; FIG. 2 is a side elevational view thereof; and FIG. 3 is a bottom plan view thereof.



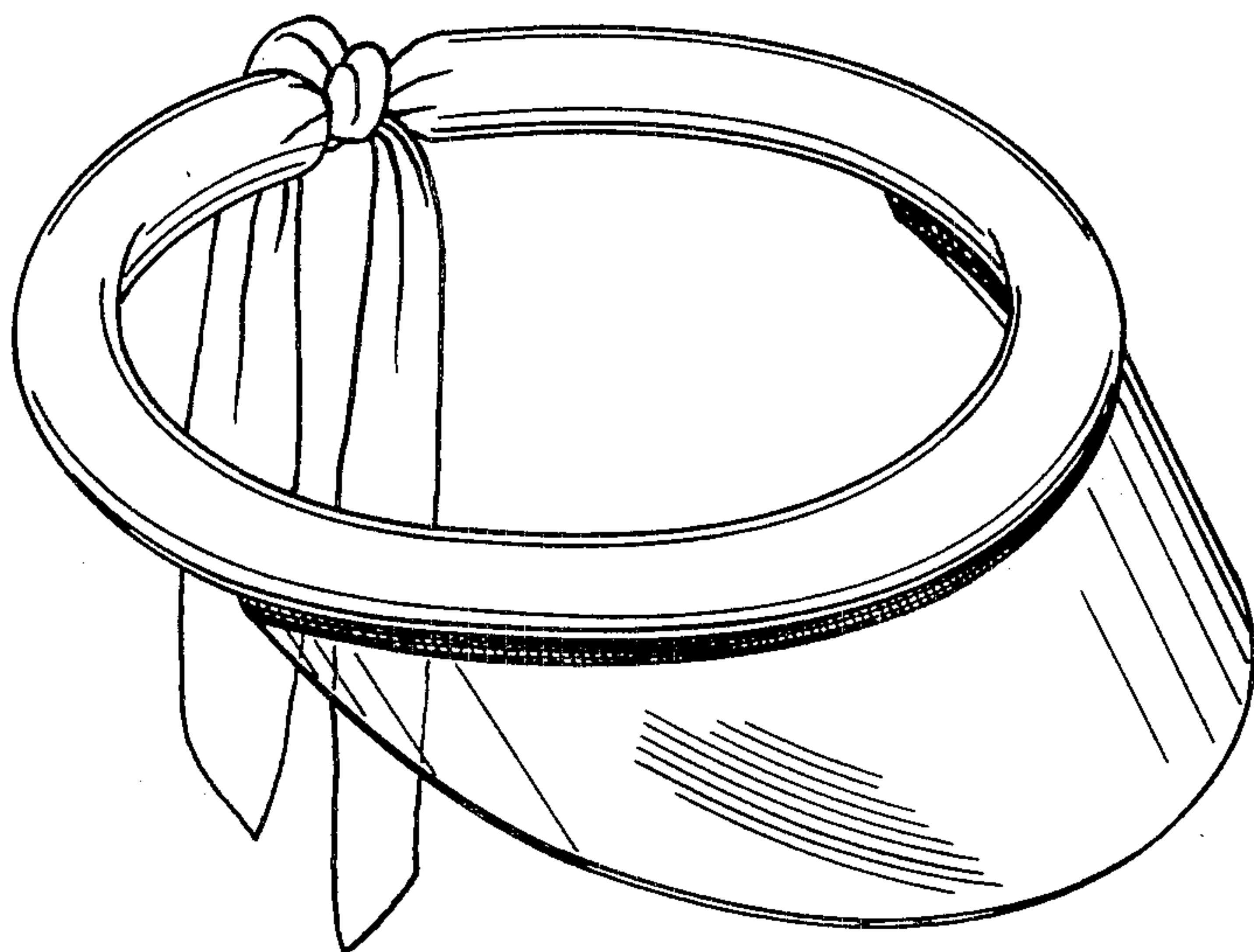


Fig. 1

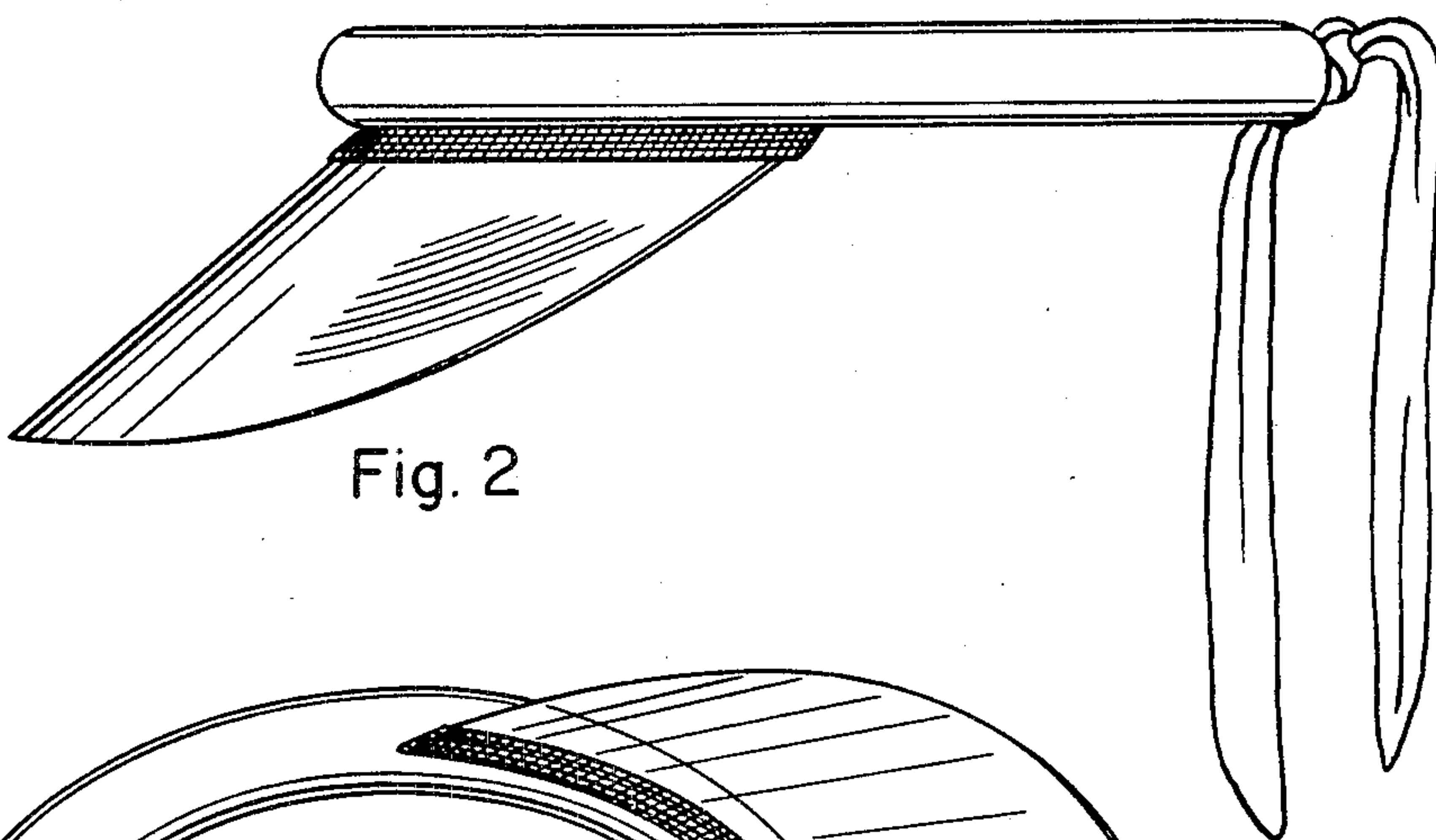


Fig. 2

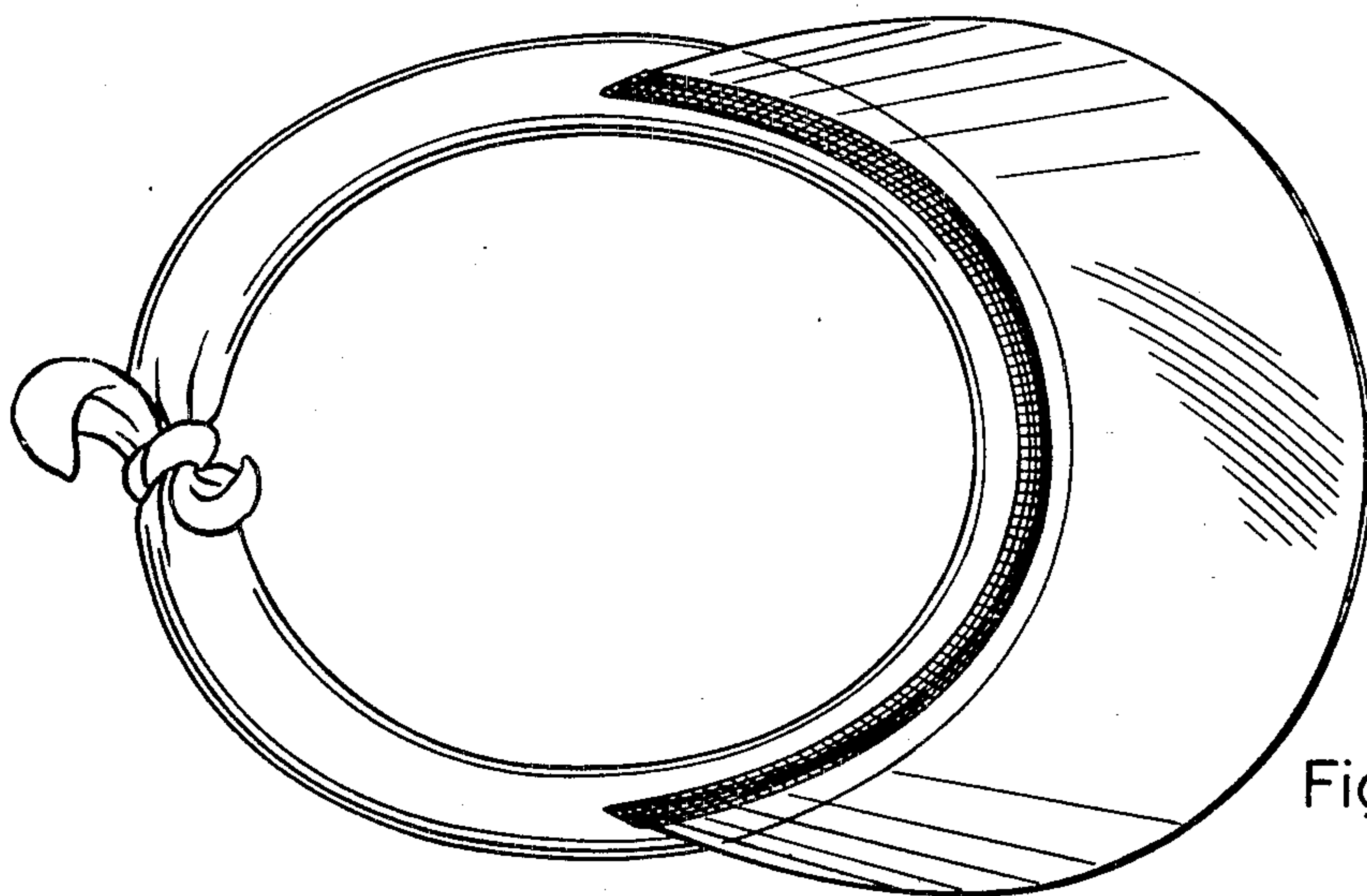


Fig. 3