

[54] **PET FOOD DISPENSER**
[76] **Inventor: Manuel Cornrich, 7 Fruitland Dr.,
New Castle, Pa. 16105**
[**] **Term: 14 Years**
[21] **Appl. No.: 706,161**
[22] **Filed: Feb. 27, 1985**
[52] **U.S. Cl. D30/13**
[58] **Field of Search D30/13-18;
119/51 R, 51.11, 51.13, 52 R**

3,340,851 9/1967 Frank et al. 119/51.13
4,044,722 8/1977 Bradshaw 119/51.13
4,324,203 4/1982 Chiapetti 119/51.11

Primary Examiner—James R. Largen
Attorney, Agent, or Firm—Harpman & Harpman

[57] **CLAIM**

The ornamental design for a pet food dispenser, as shown and described.

DESCRIPTION

FIG. 1 is a perspective view taken from the top, front and right side of a pet food dispenser showing my new design;

FIG. 2 is a front elevational view thereof;

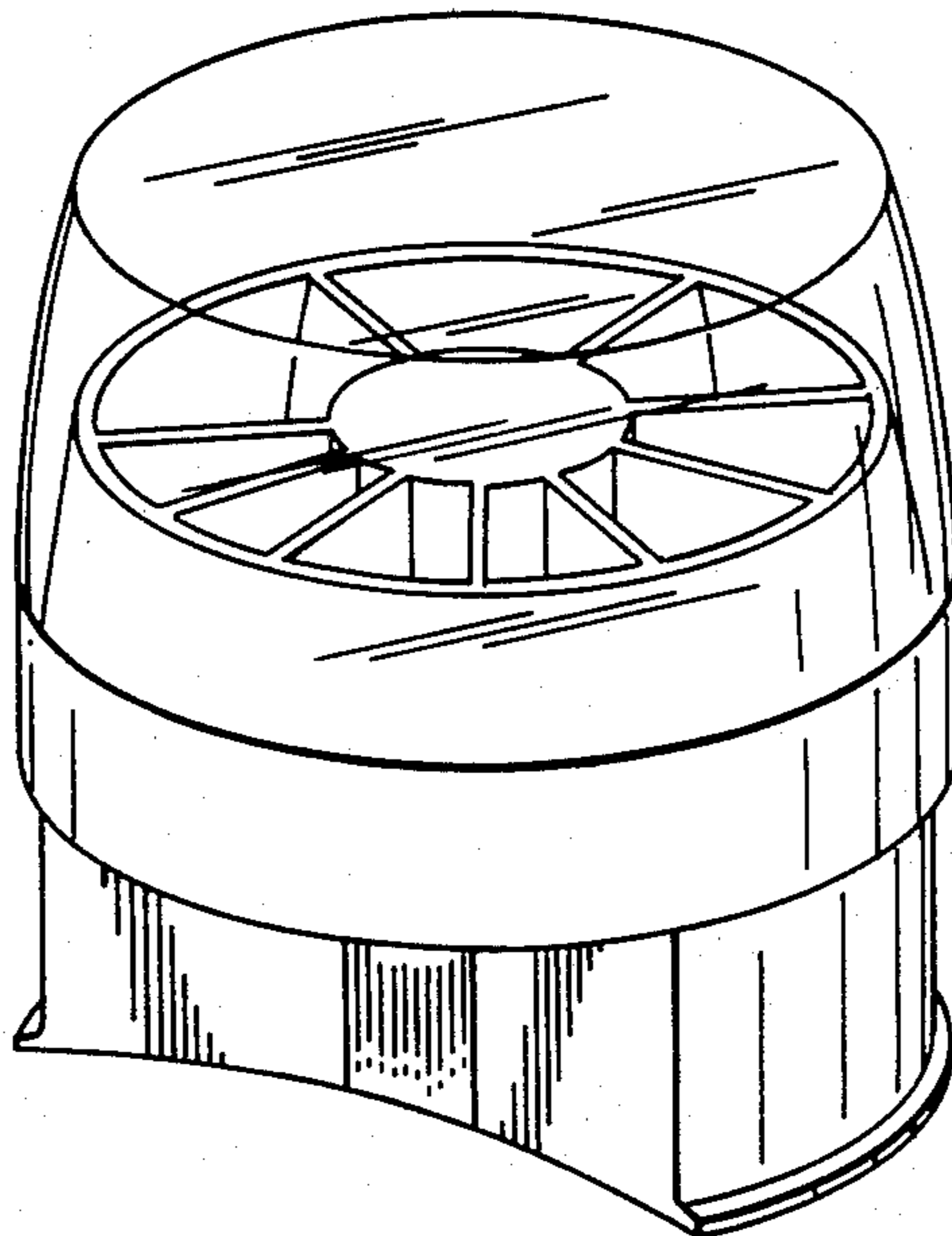
FIG. 3 is a rear elevational view thereof; and

FIG. 4 is a right side elevational view thereof, the left side being a mirror image of the right side shown.

[56] **References Cited**

U.S. PATENT DOCUMENTS

D. 164,590 9/1951 Mulhern D30/16
D. 180,346 5/1957 Weil D30/16
D. 236,012 7/1975 Crawford D30/16
2,500,243 3/1950 Dixon 119/51.13



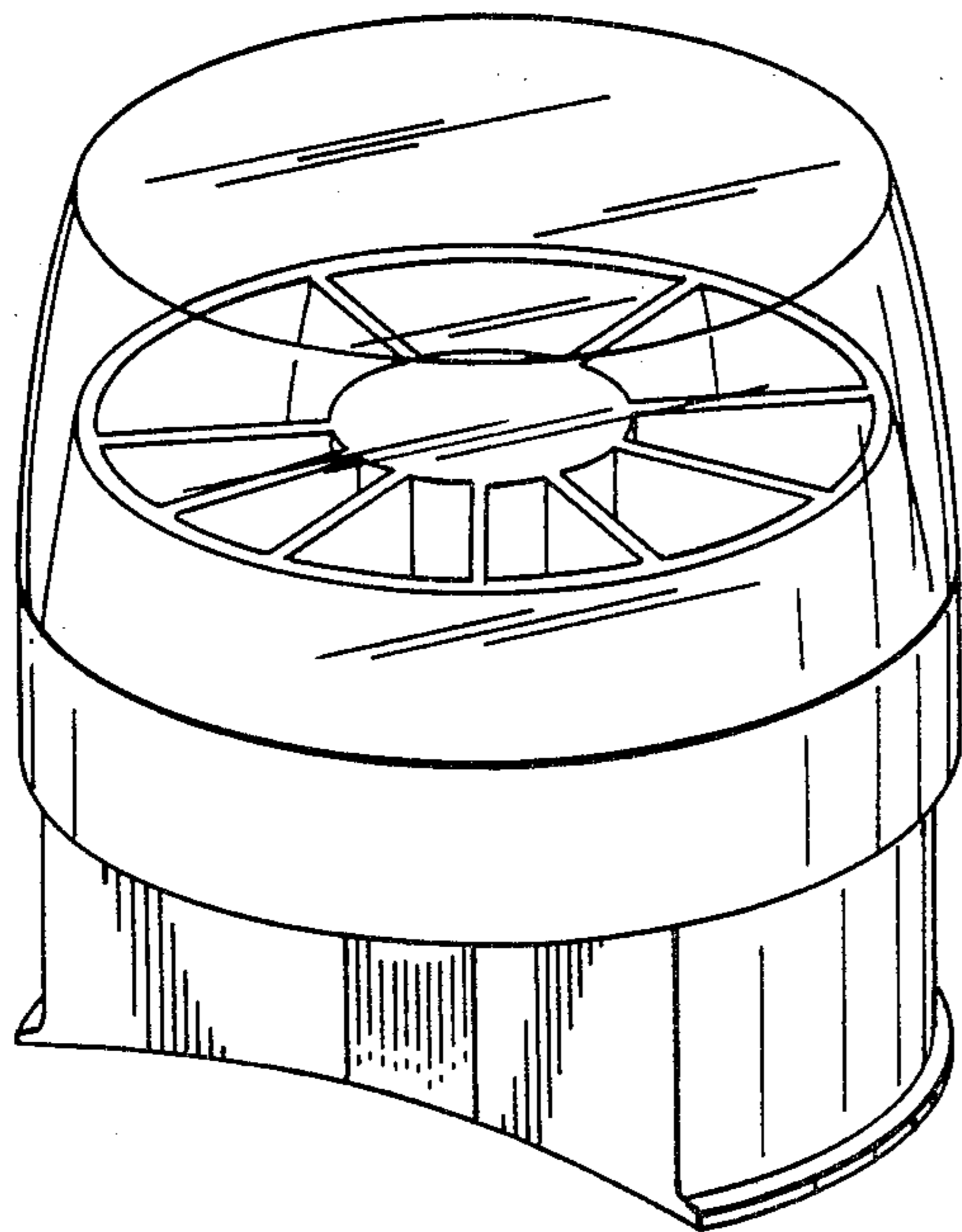


FIG. 1

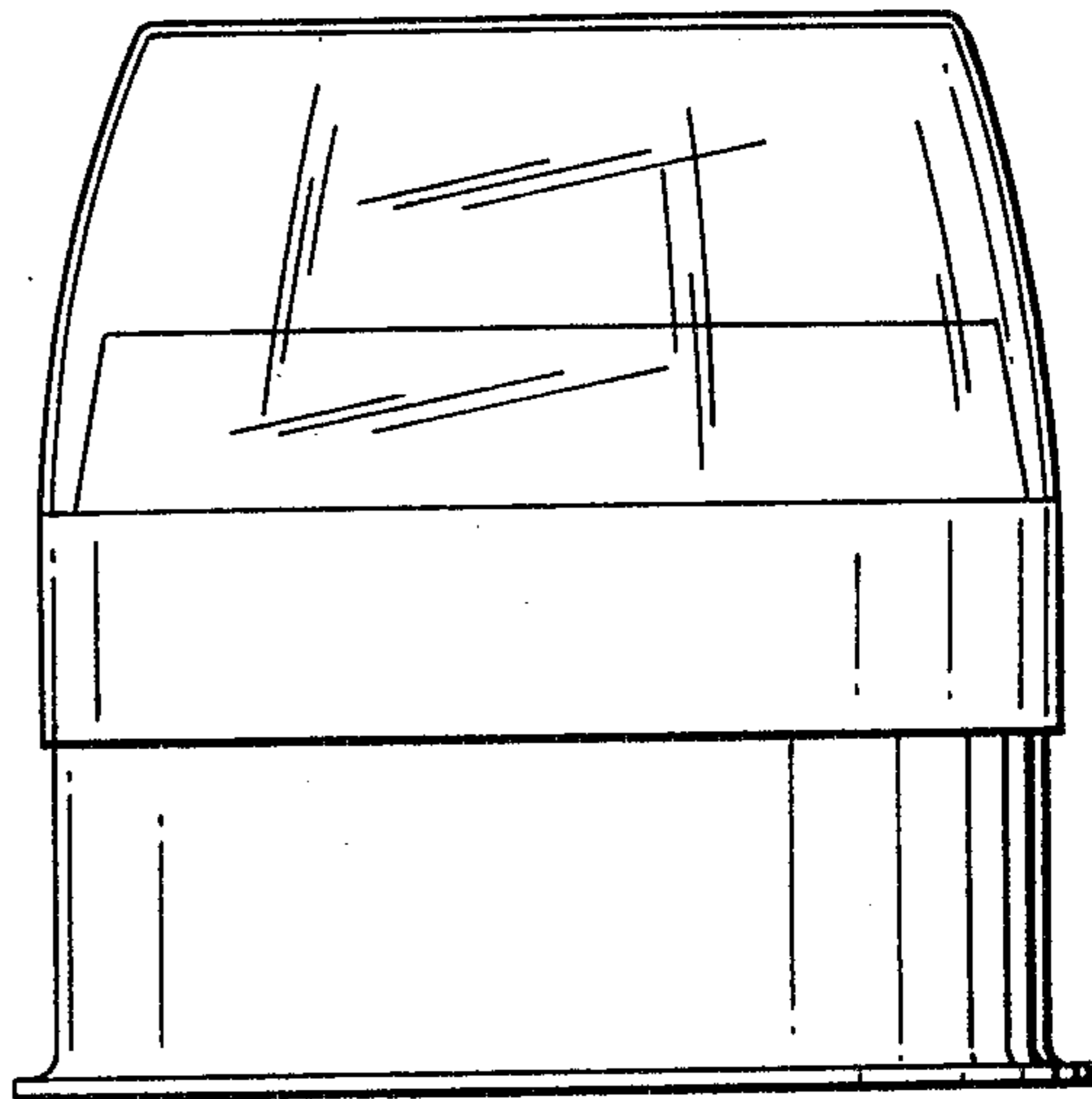


FIG. 2

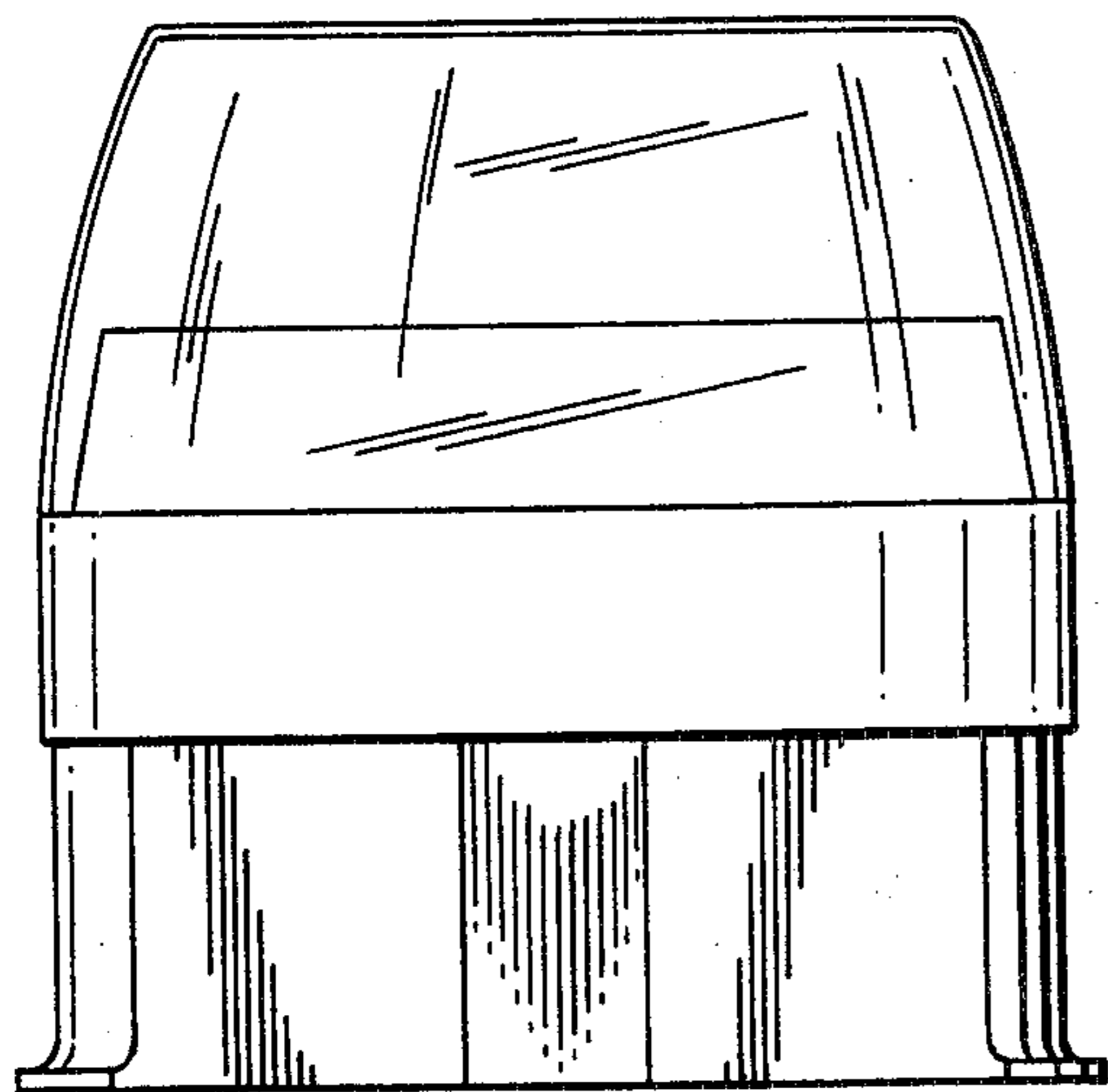


FIG. 3

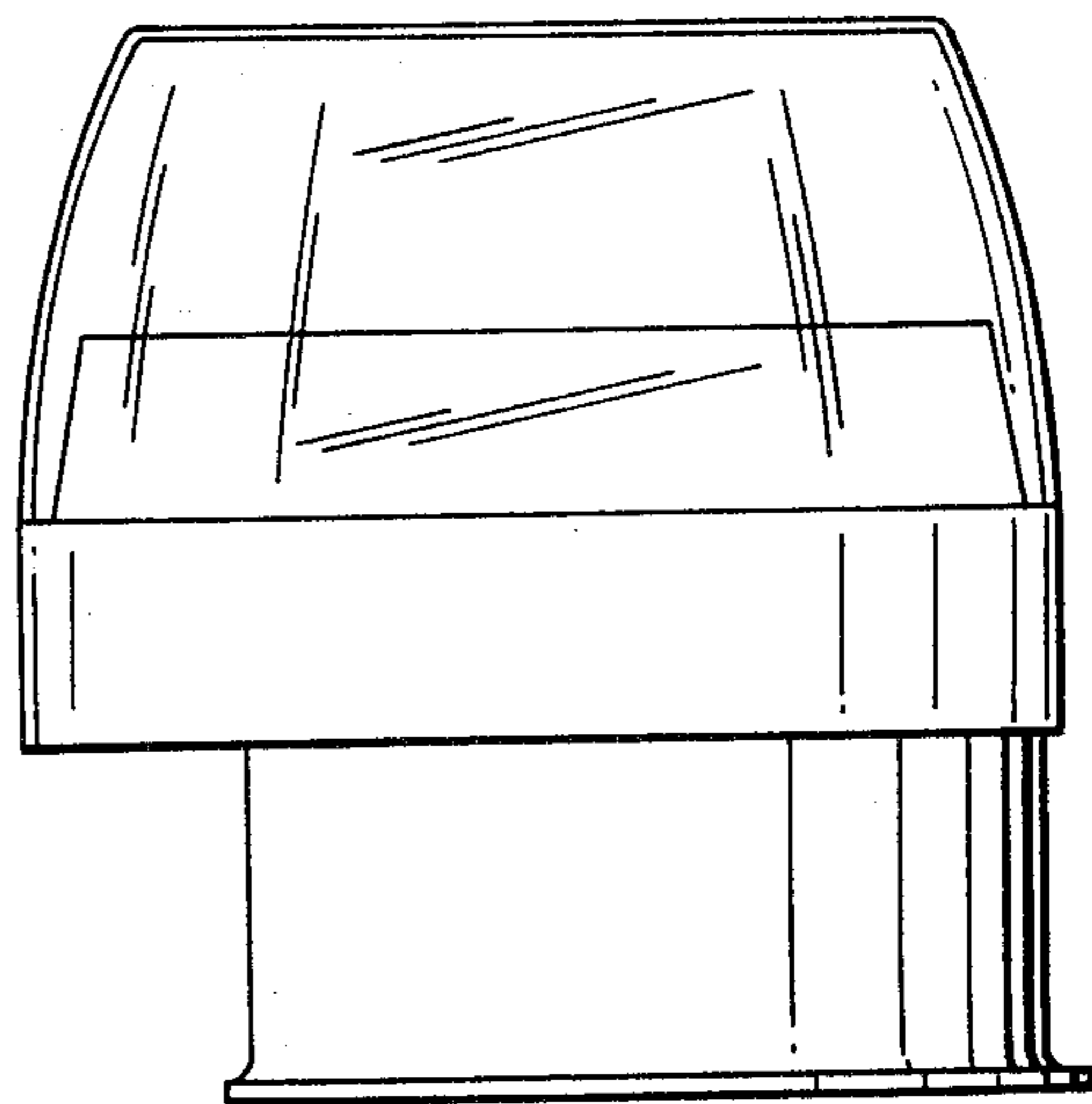


FIG. 4