

[54] ANIMAL TRANSPORTER

[76] Inventors: Donald R. Wallace, 32453 Jaclynn Dr., Union City, Calif. 94586; Donald E. Looby, 28147 Dobbel Ave., Hayward, Calif. 94542

[\*\*] Term: 14 Years

[21] Appl. No.: 588,644

[22] Filed: Mar. 12, 1984

[52] U.S. Cl. .... D30/1

[58] Field of Search ..... D30/1-5, D30/13, 41-42, 99; 119/15, 17, 19, 20, 96

[56] References Cited

U.S. PATENT DOCUMENTS

D. 203,972	3/1966	Daugherty	.....	D30/1
D. 246,540	11/1977	Burleson	.....	D30/1
D. 250,051	10/1978	Spinks	.....	D30/1
2,034,156	3/1936	Snider	.....	119/19
3,147,736	9/1964	Daniel	.....	119/19
4,336,773	1/1983	Johanneck	.....	119/19

FOREIGN PATENT DOCUMENTS

2118015 10/1983 United Kingdom ..... 119/19

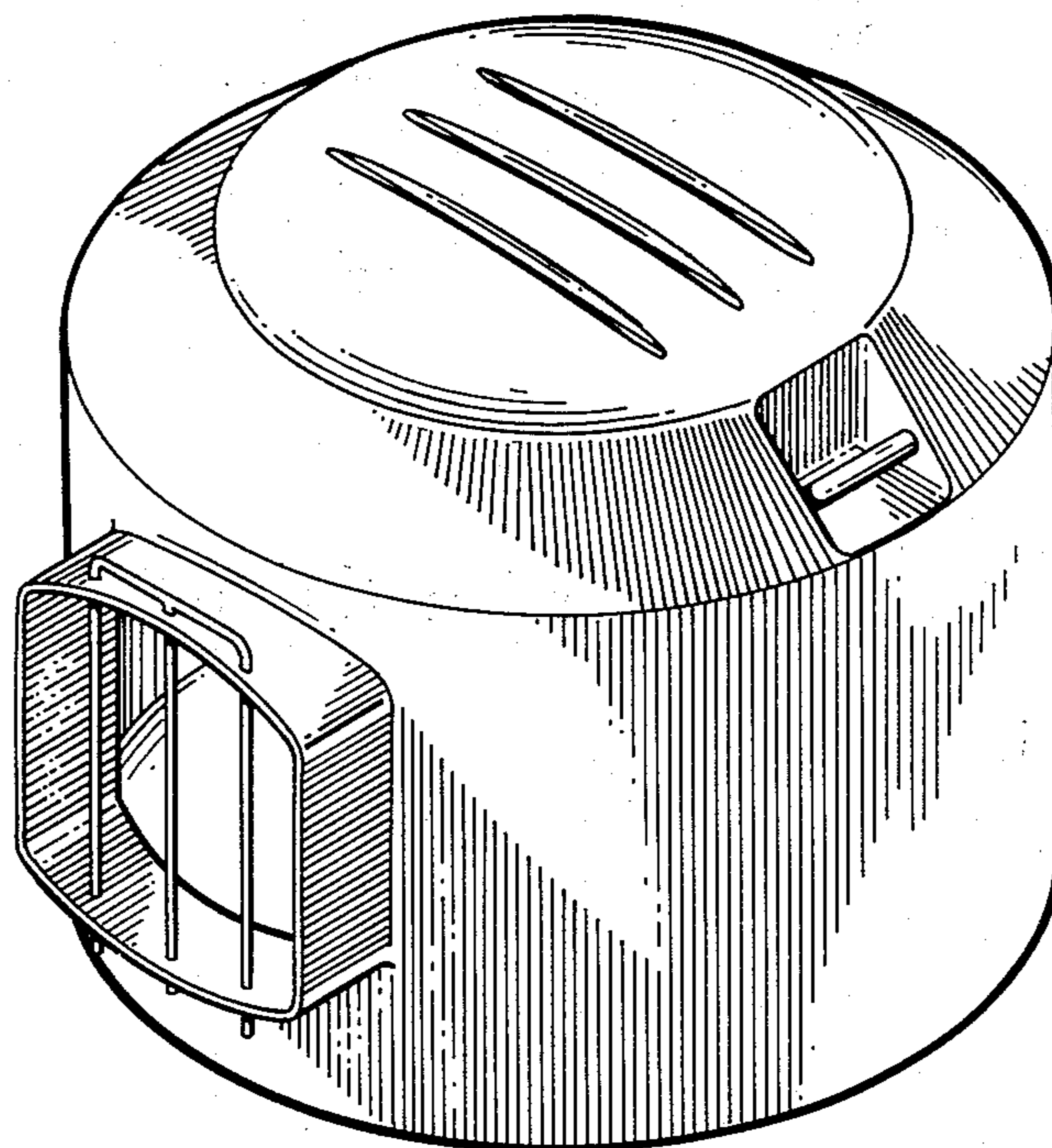
Primary Examiner—Wallace R. Burke  
Assistant Examiner—Brian N. Vinson  
Attorney, Agent, or Firm—Robert Charles Hill

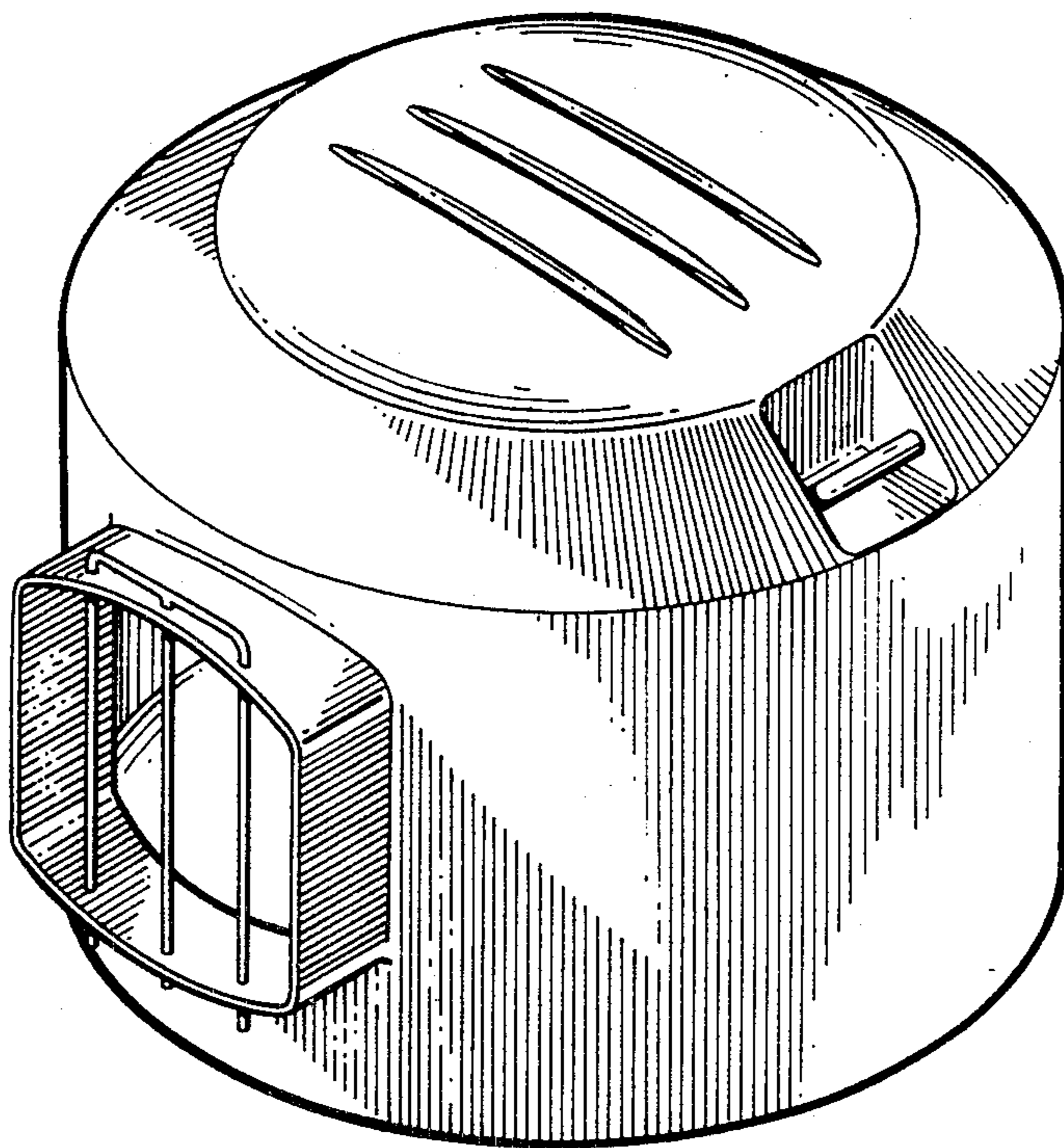
[57] CLAIM

The ornamental design for animal transporter, as shown and described.

DESCRIPTION

FIG. 1 is a perspective view of the animal transporter showing our new design;  
FIG. 2 is a front elevational view thereof;  
FIG. 3 is a top plan view thereof;  
FIG. 4 is a bottom plan view thereof;  
FIG. 5 is a left side elevational view thereof, the right side being identical in appearance;  
FIG. 6 is a rear elevational view thereof;  
FIG. 7 is a partial vertical section taken as indicated along line 7—7 of FIG. 4.





**FIGURE 1**

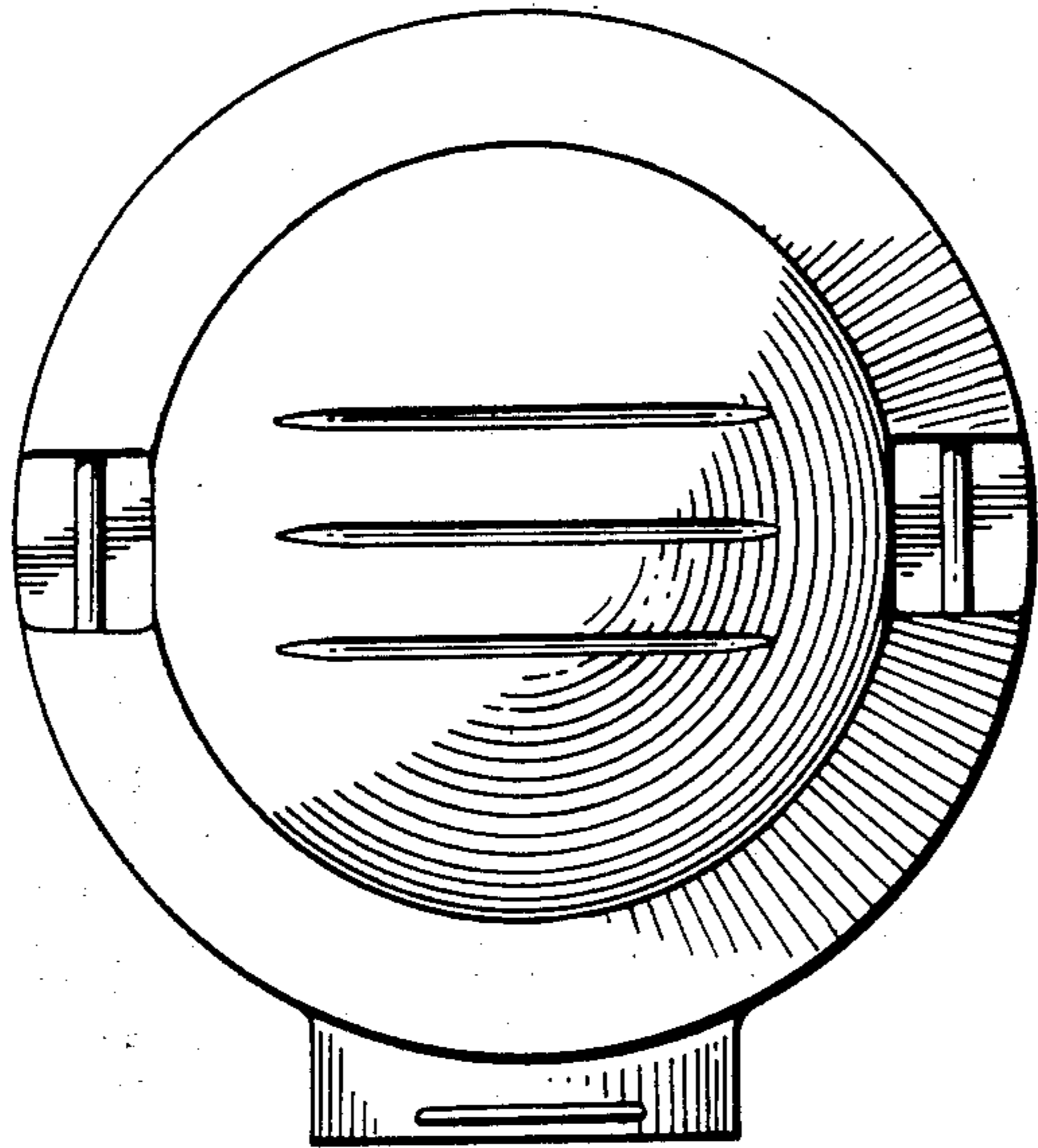


FIGURE 3

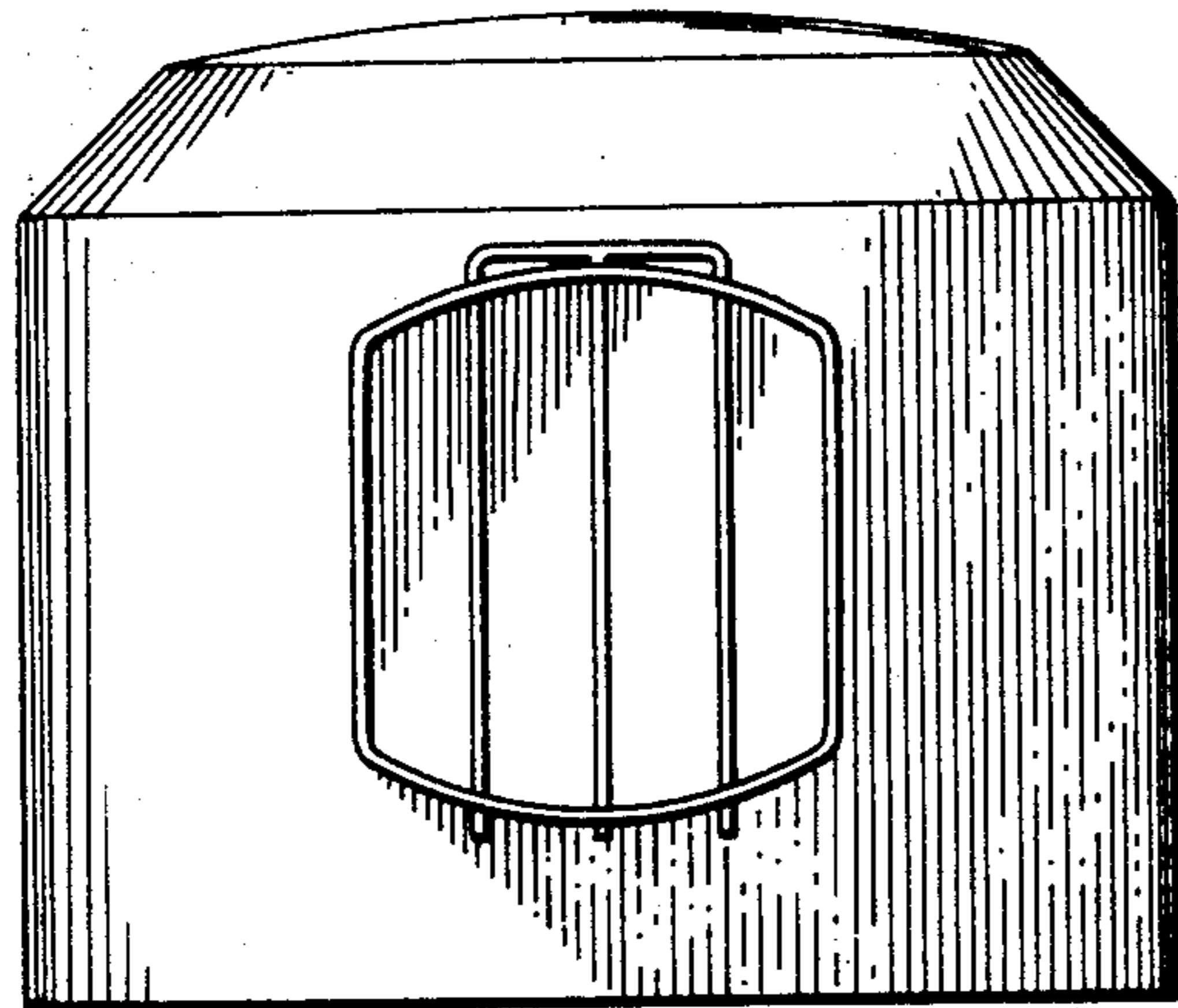


FIGURE 2

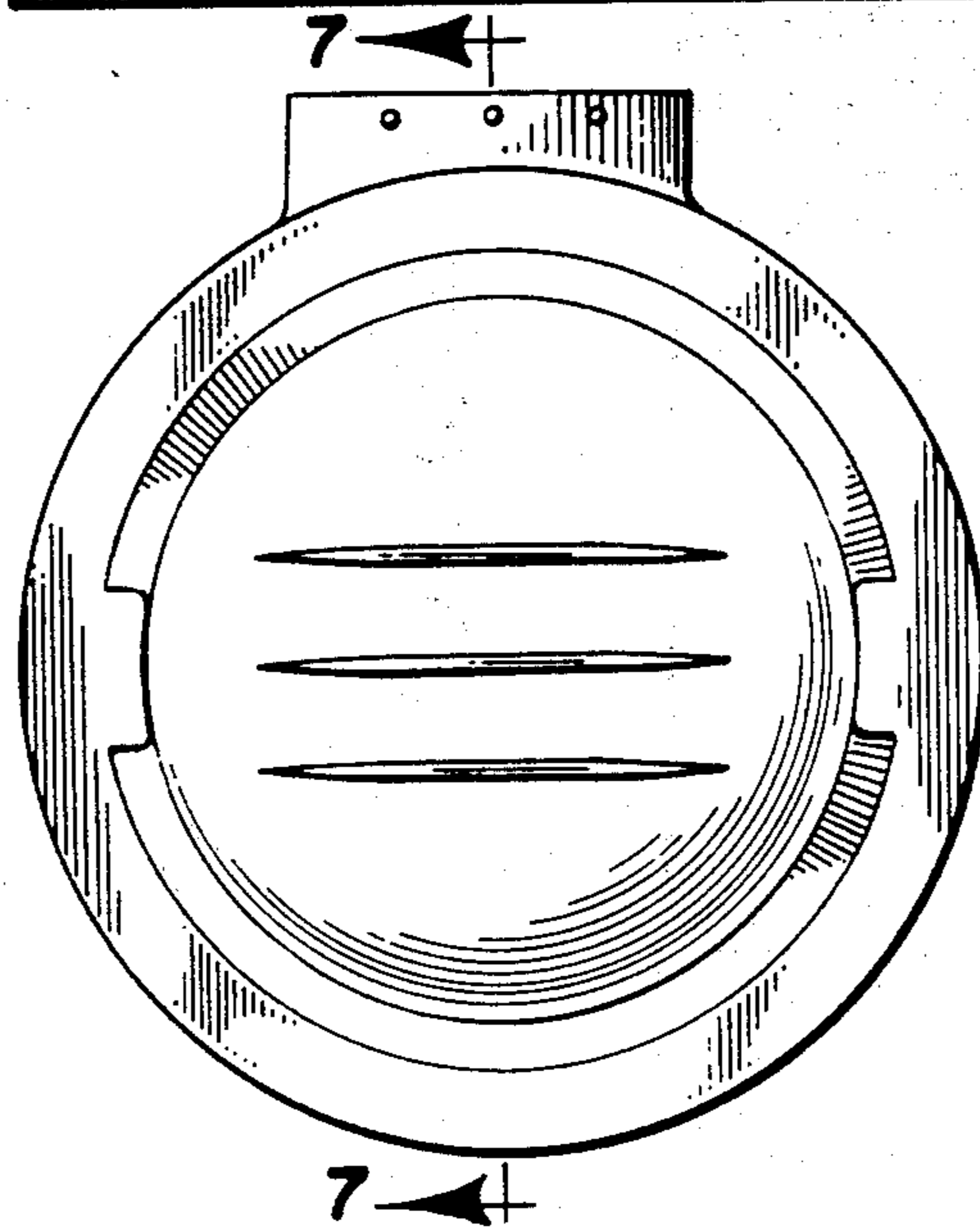


FIGURE 4

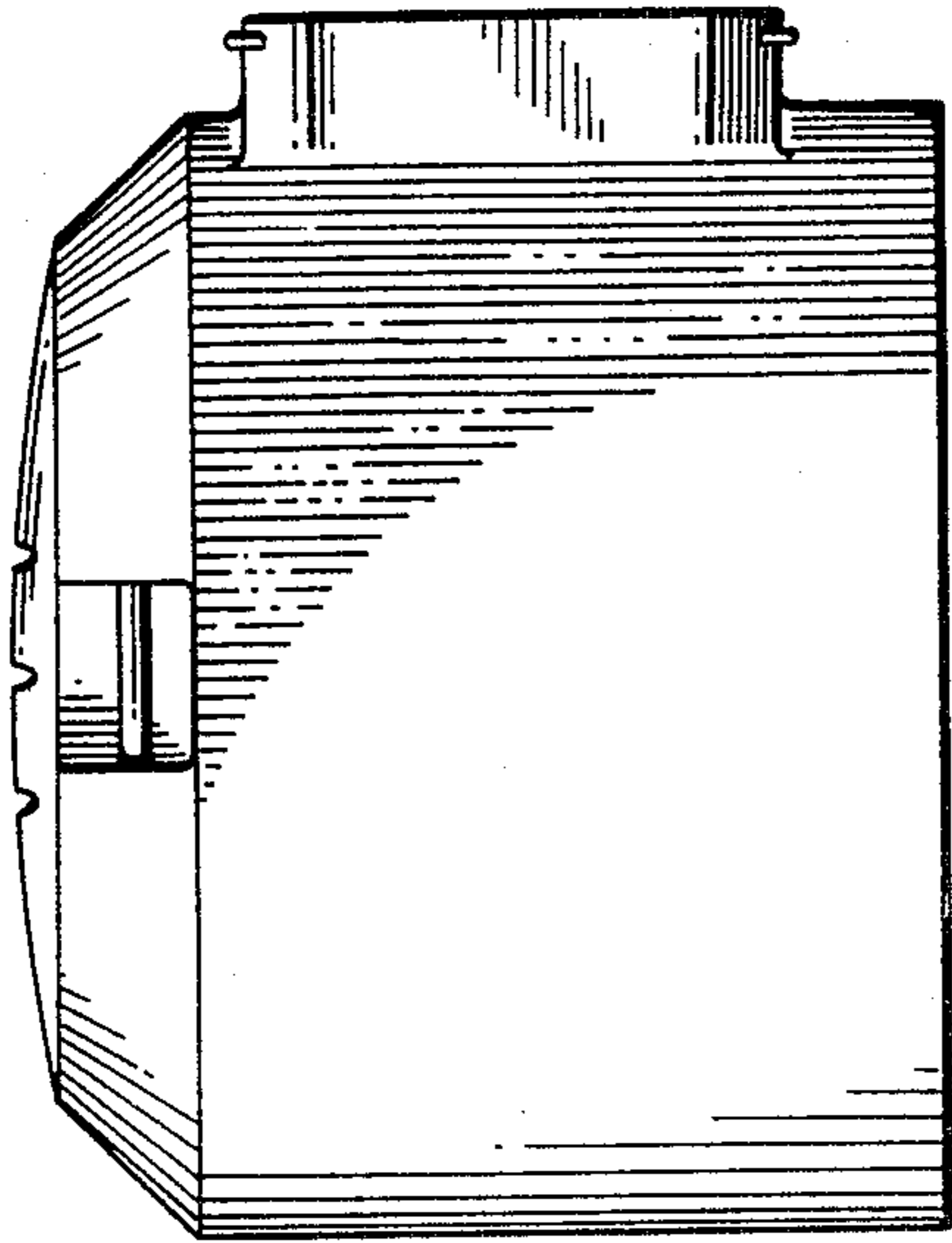


FIGURE 5



FIGURE 7

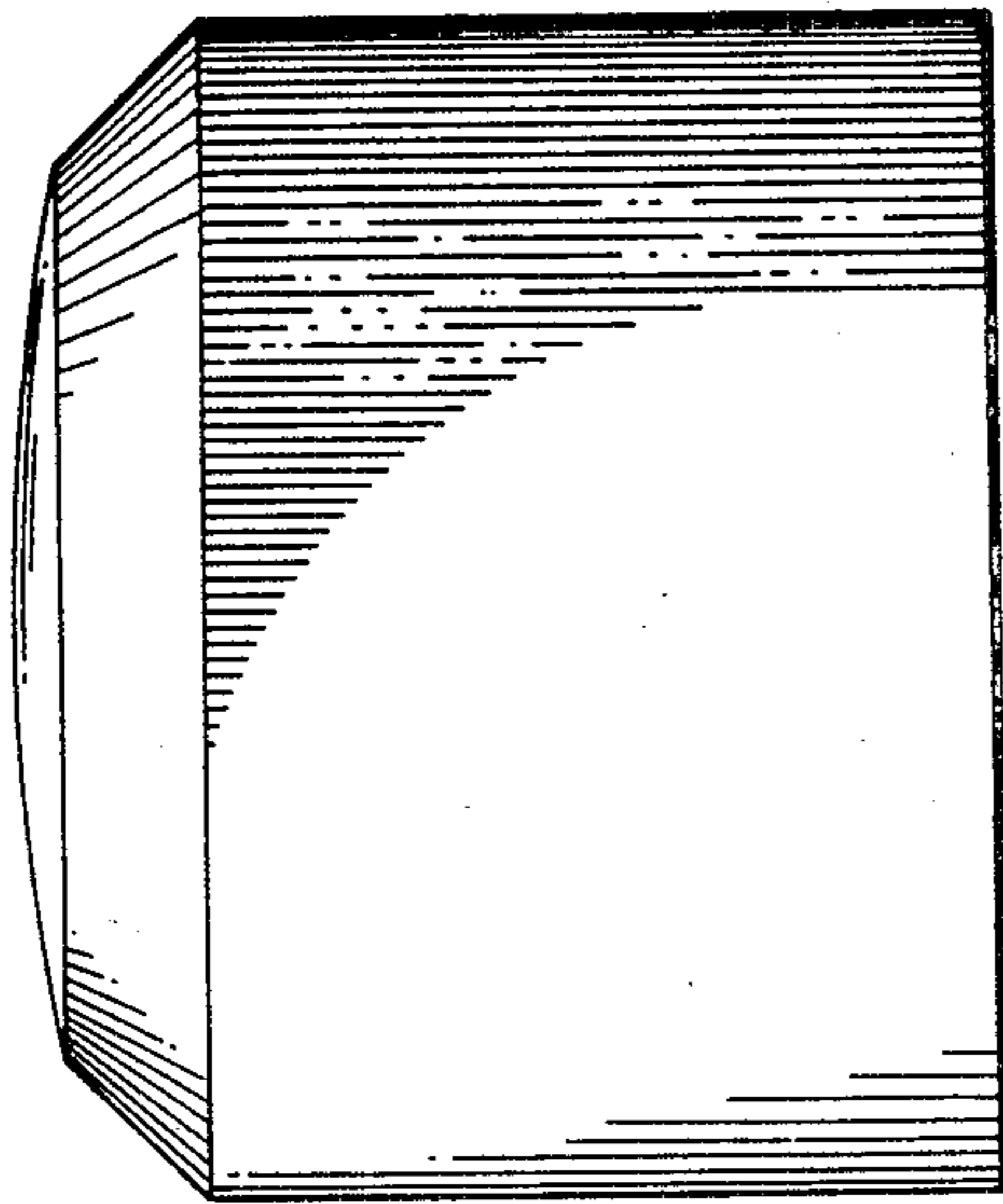


FIGURE 6