

[54] **DECORATIVE TABLE LAMP**

[76] **Inventor:** Nikolaus P. Fisher, 8296-1 Karam Blvd., Warren, Mich. 48093

[\*\*] **Term:** 14 Years

[21] **Appl. No.:** 653,100

[22] **Filed:** Sep. 24, 1984

[52] **U.S. Cl.** ..... D26/94; D26/97

[58] **Field of Search** ..... D26/94, 99, 97; 362/410-414, 806

[56] **References Cited**

**U.S. PATENT DOCUMENTS**

- D. 212,775 11/1968 Levitt ..... D26/98 X
- D. 226,676 4/1973 Felsen ..... D26/94

**OTHER PUBLICATIONS**

Gentry, Winter 1955-56, p. 35, Sportscar Lamp.

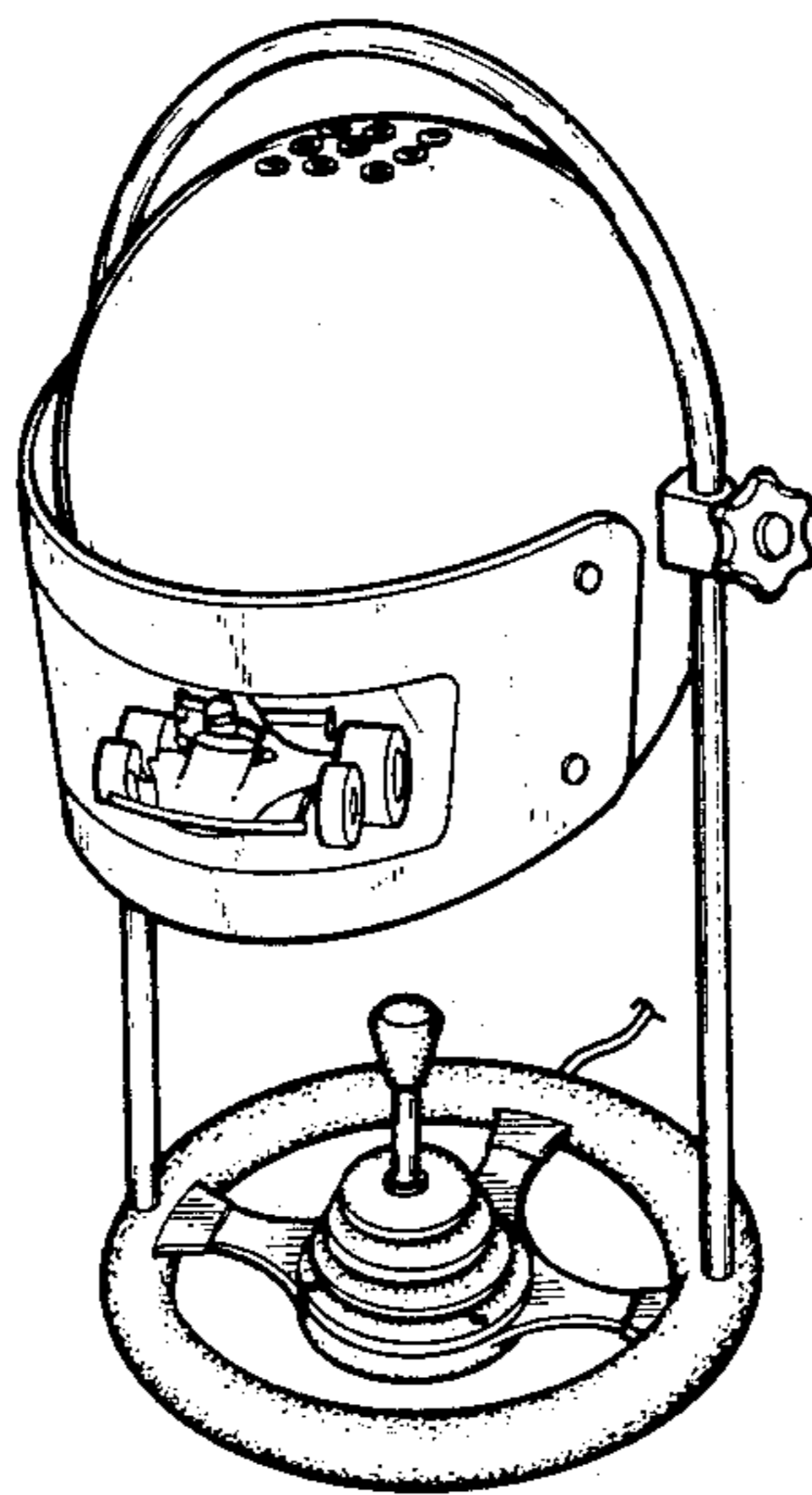
*Primary Examiner*—Susan J. Lucas  
*Attorney, Agent, or Firm*—Remy J. VanOphem

[57] **CLAIM**

The ornamental design for a decorative table lamp, as shown and described.

**DESCRIPTION**

FIG. 1 is a front perspective view of the decorative table lamp showing my new design;  
 FIG. 2 is a front elevational view thereof;  
 FIG. 3 is a rear elevational view thereof;  
 FIG. 4 is a left side elevational view thereof;  
 FIG. 5 is a right side elevational view thereof;  
 FIG. 6 is a top plan view thereof;  
 FIG. 7 is a bottom plan view thereof.



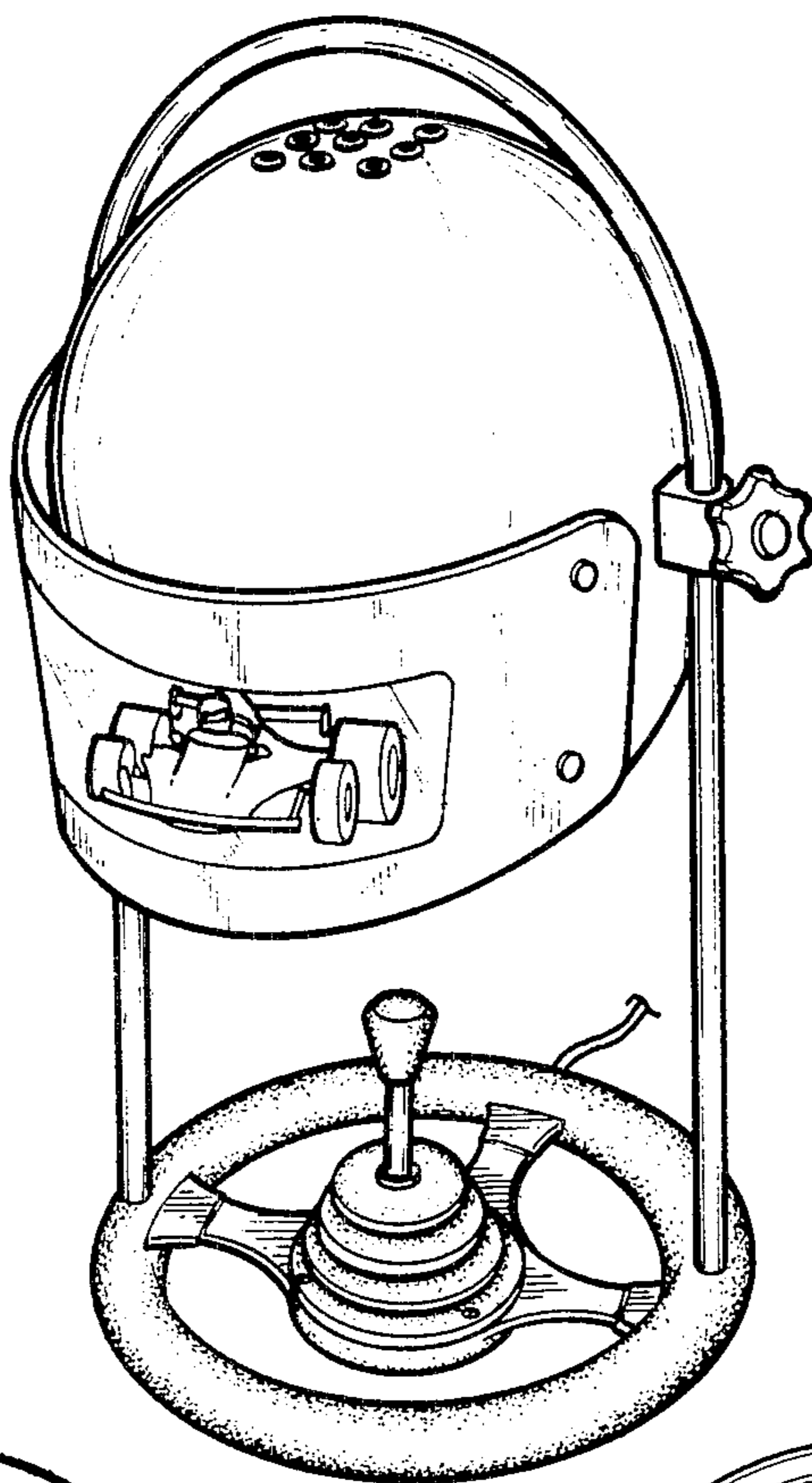


Fig-1

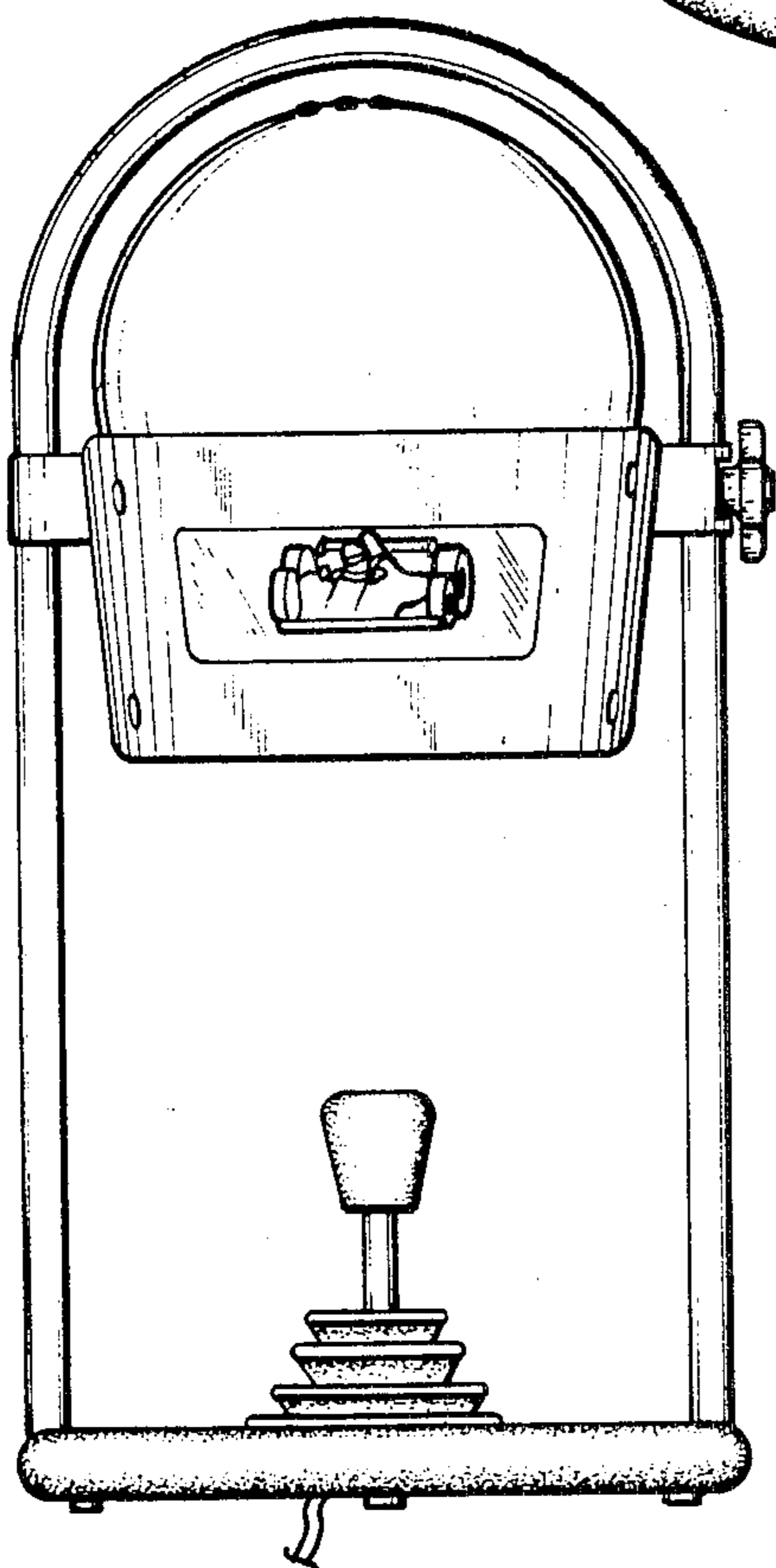


Fig-2

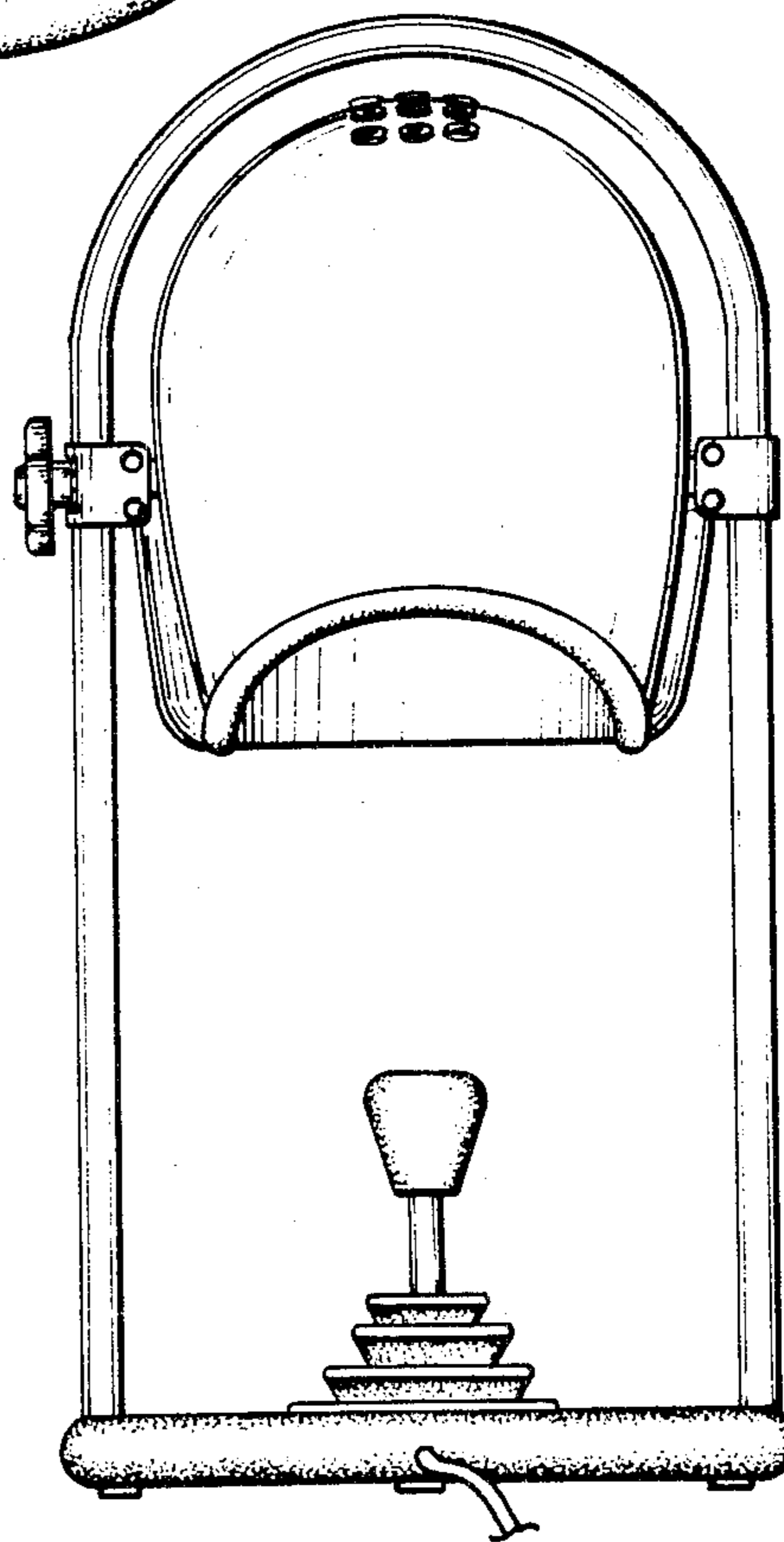


Fig-3

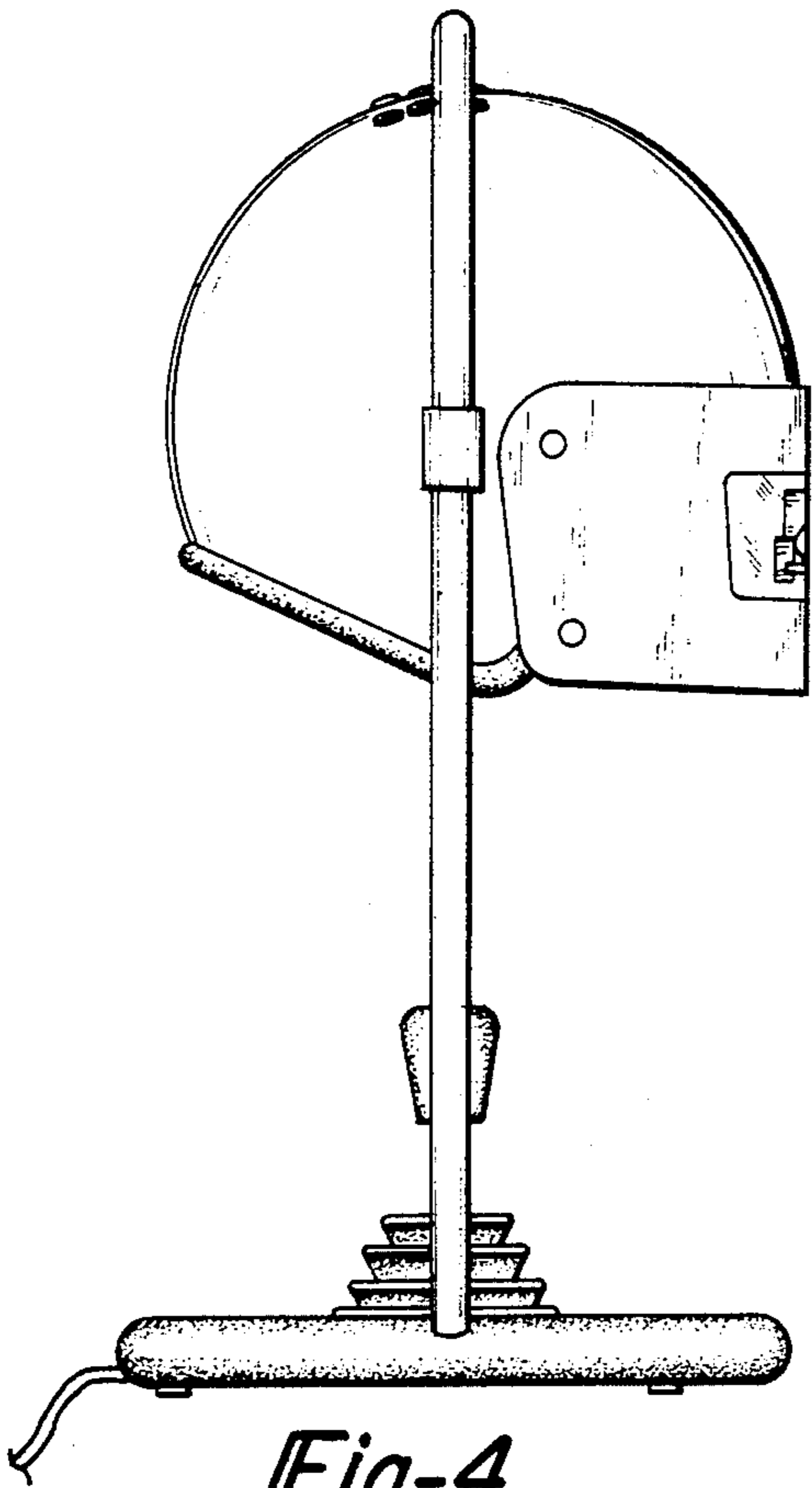


Fig-4

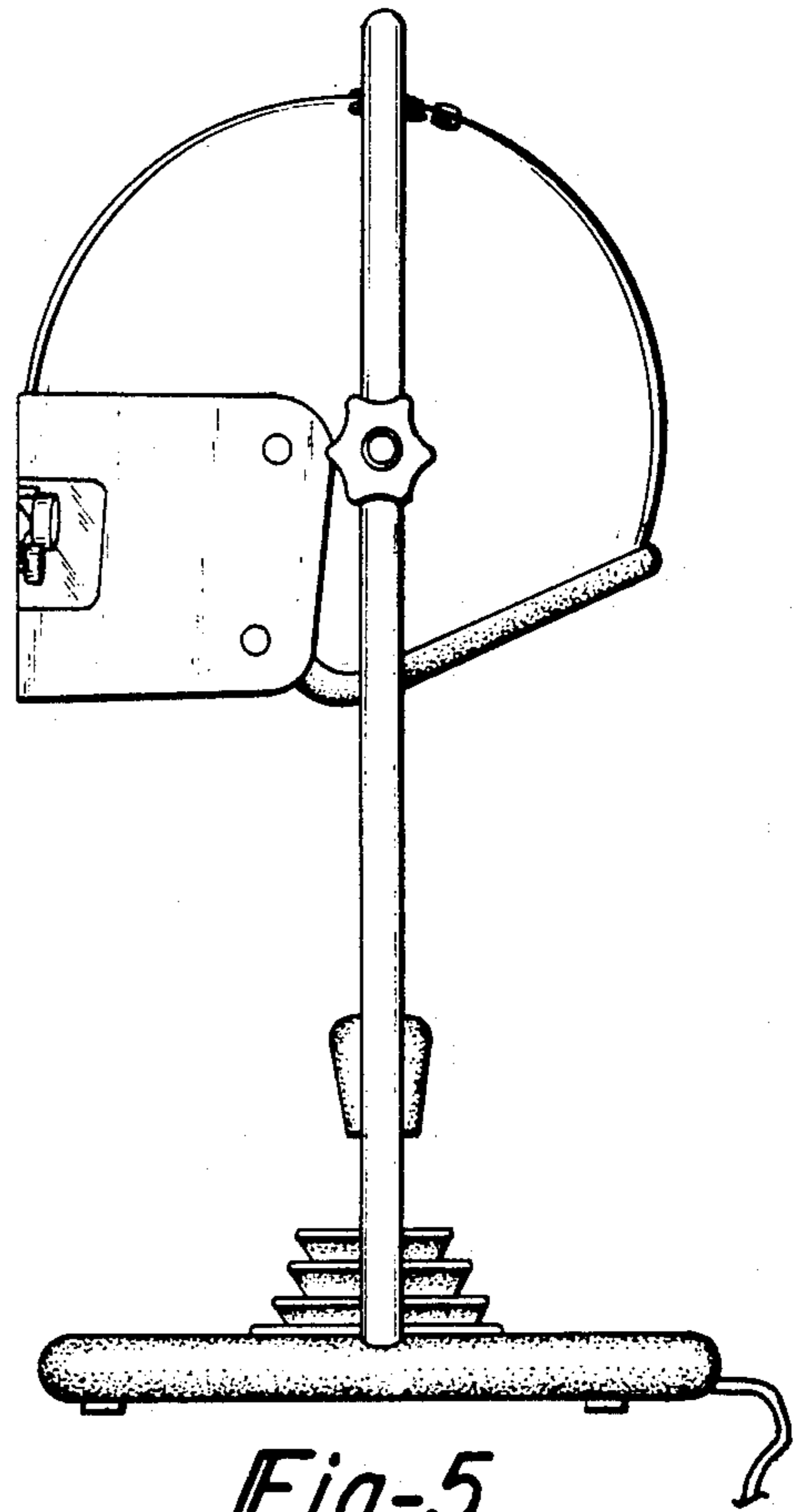


Fig-5

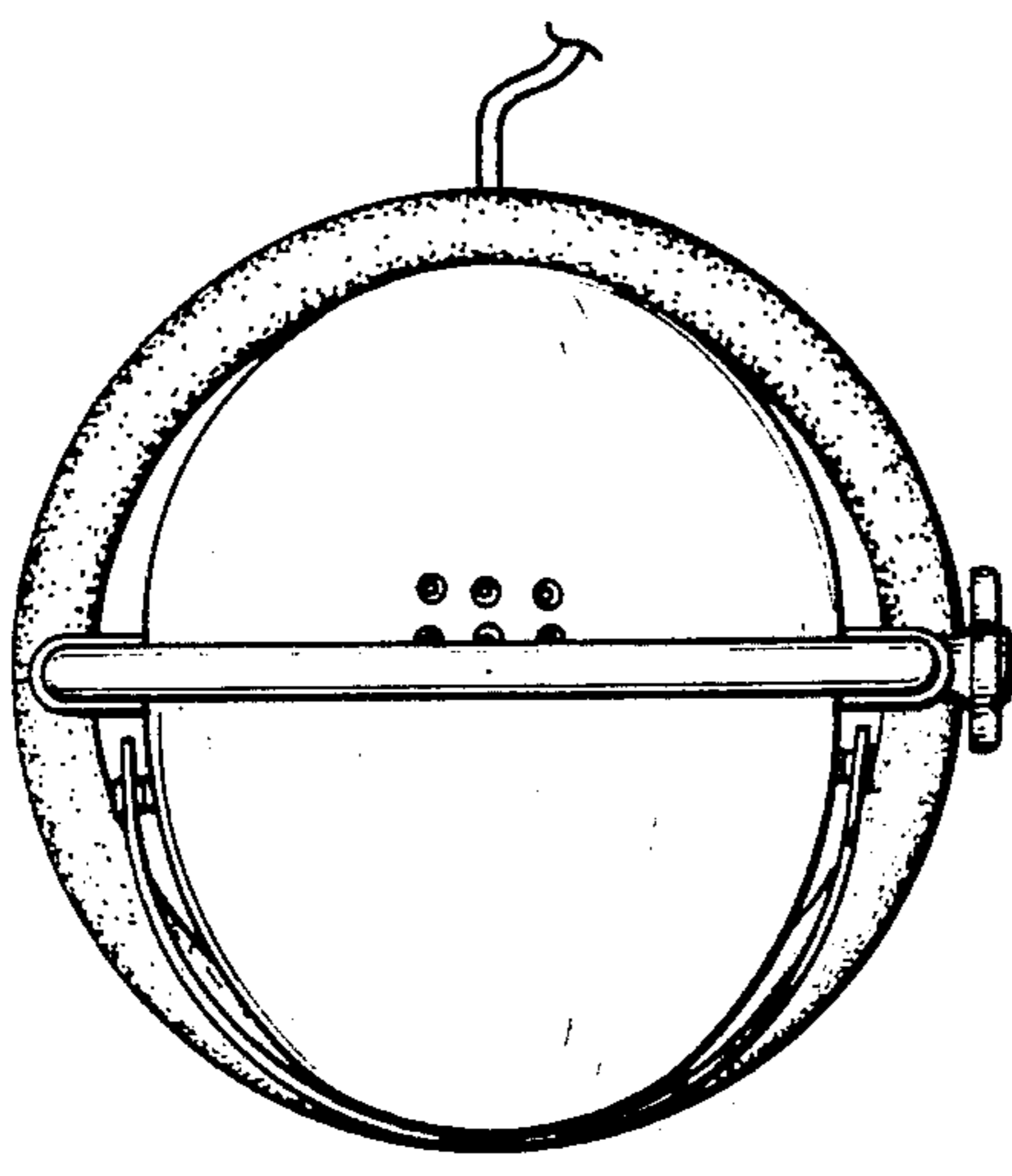


Fig-6

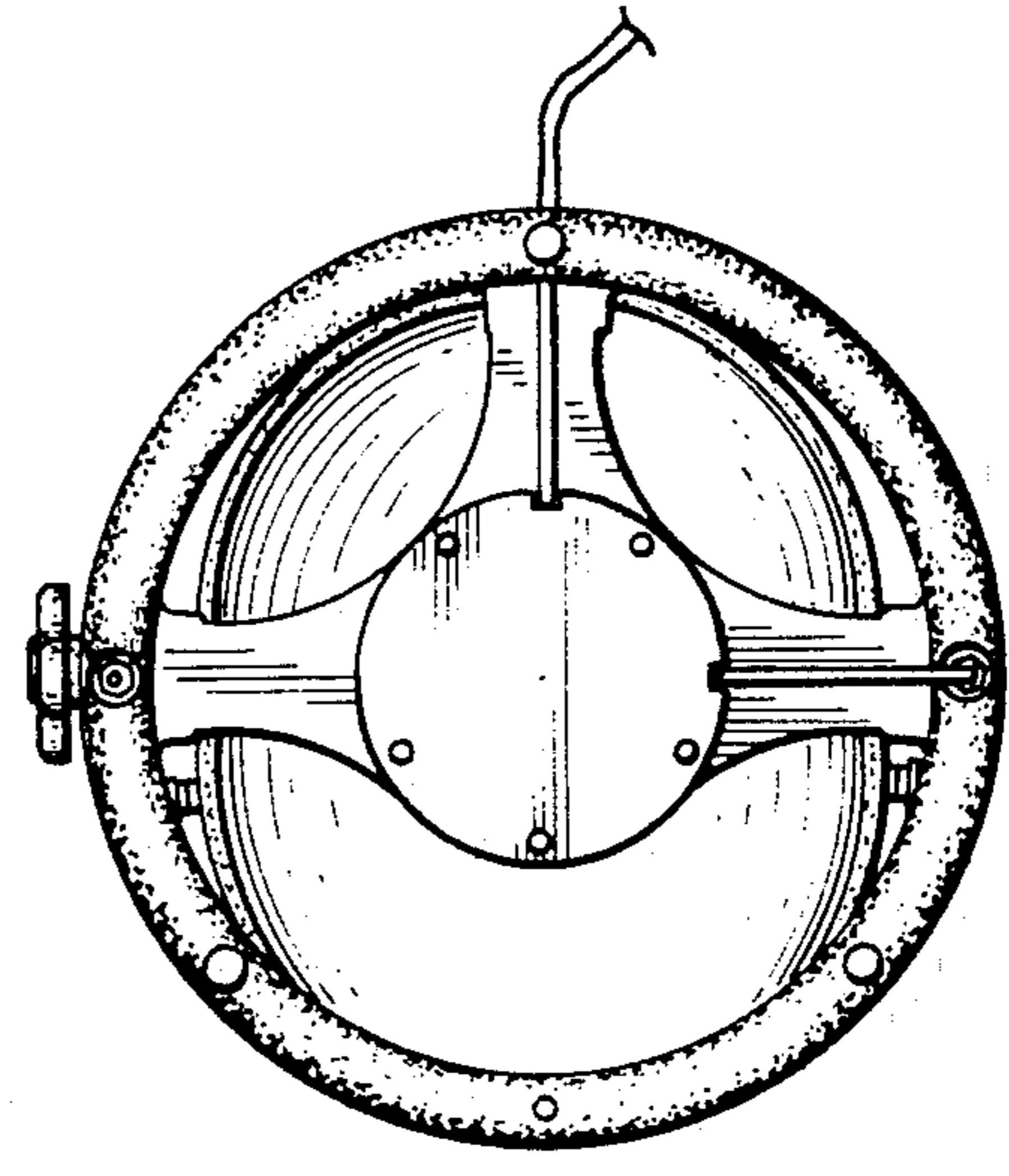


Fig-7