

[54] TELESCOPING CANDLE LANTERN

[75] Inventor: Katsuhiko Harada, Fuchu, Japan

[73] Assignee: LEC Kabushiki Kaisha, Tokyo, Japan

[**] Term: 14 Years

[21] Appl. No.: 624,948

[22] Filed: Jun. 26, 1984

[30] Foreign Application Priority Data

Jan. 19, 1984 [JP] Japan 59-5642

[52] U.S. Cl. D26/11

[58] Field of Search D26/9-23; 431/288-295, 297, 298, 299, 302, 311, 320-322, 324; 362/160, 161, 162, 163, 171, 180

[56] References Cited

U.S. PATENT DOCUMENTS

Re. 20,434	7/1937	Barrett, Jr.	362/161
224,225	2/1880	Requa	362/180
4,186,430	1/1980	Britton	362/161 X
4,566,055	1/1986	Klees et al.	431/290 X

OTHER PUBLICATIONS

Early Winters Catalog, ©1982, p. 23, Alpinist's Lantern.

Primary Examiner—Susan J. Lucas
Attorney, Agent, or Firm—Fleit, Jacobson, Cohn & Price

[57] CLAIM

The ornamental design for a telescoping candle lantern, as shown and described.

DESCRIPTION

FIG. 1 is a top plan view of a telescoping candle lantern showing my new design, the lantern being in its extended, operational condition;

FIG. 2 is a bottom plan view thereof;

FIGS. 3 and 4 are respectively front and rear elevational views thereof;

FIG. 5 is a perspective view thereof on a reduced scale, the lantern being in its retracted condition;

FIG. 6 is a perspective view thereof on a reduced scale similar to FIG. 5, but with the cover in the open position;

FIG. 7 is a perspective view thereof on a reduced scale, the lantern being in the extended condition, and the flame being shown in broken lines for illustrative purposes only; and

FIG. 8 is a cross-sectional view thereof taken along line 8—8 of FIG. 7, but drawn on the scale of FIGS. 1, 2, 3 and 4.

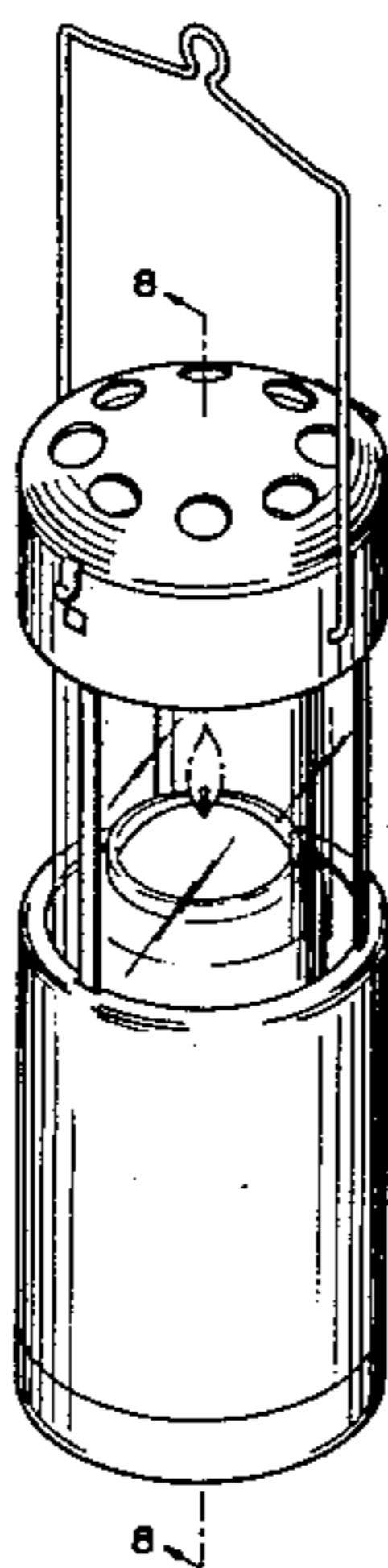


FIG. 1

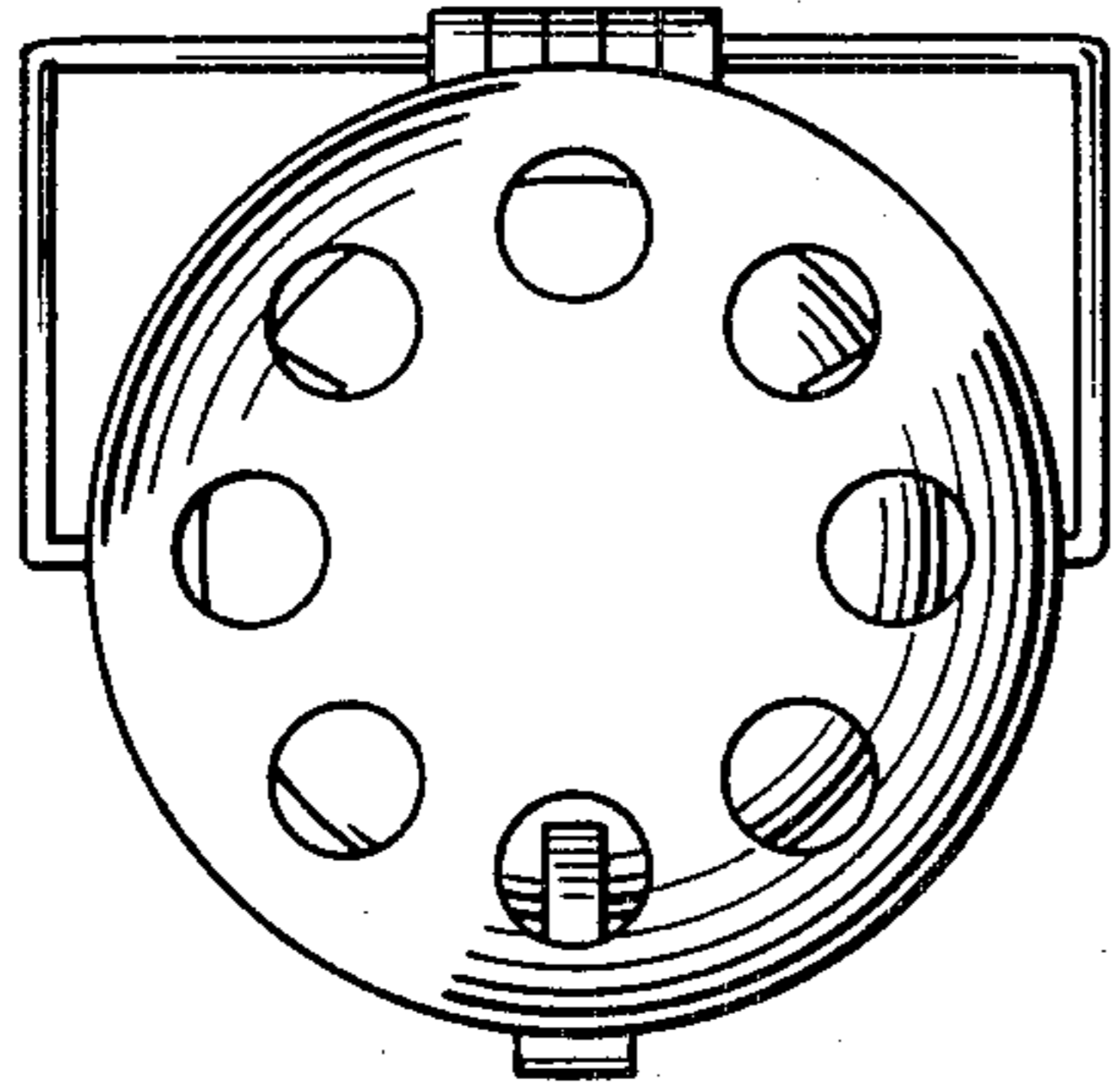


FIG. 2

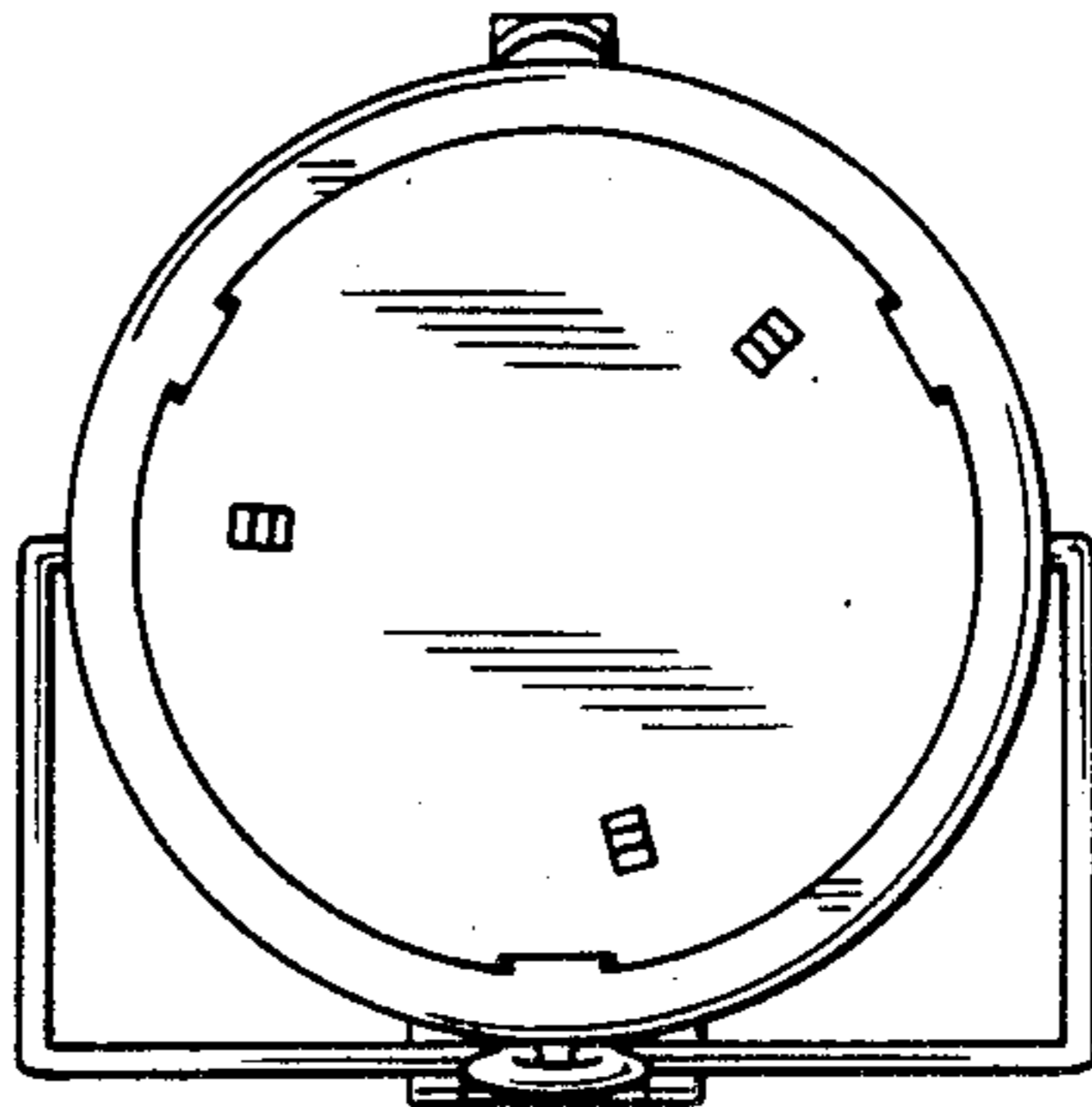


FIG. 3

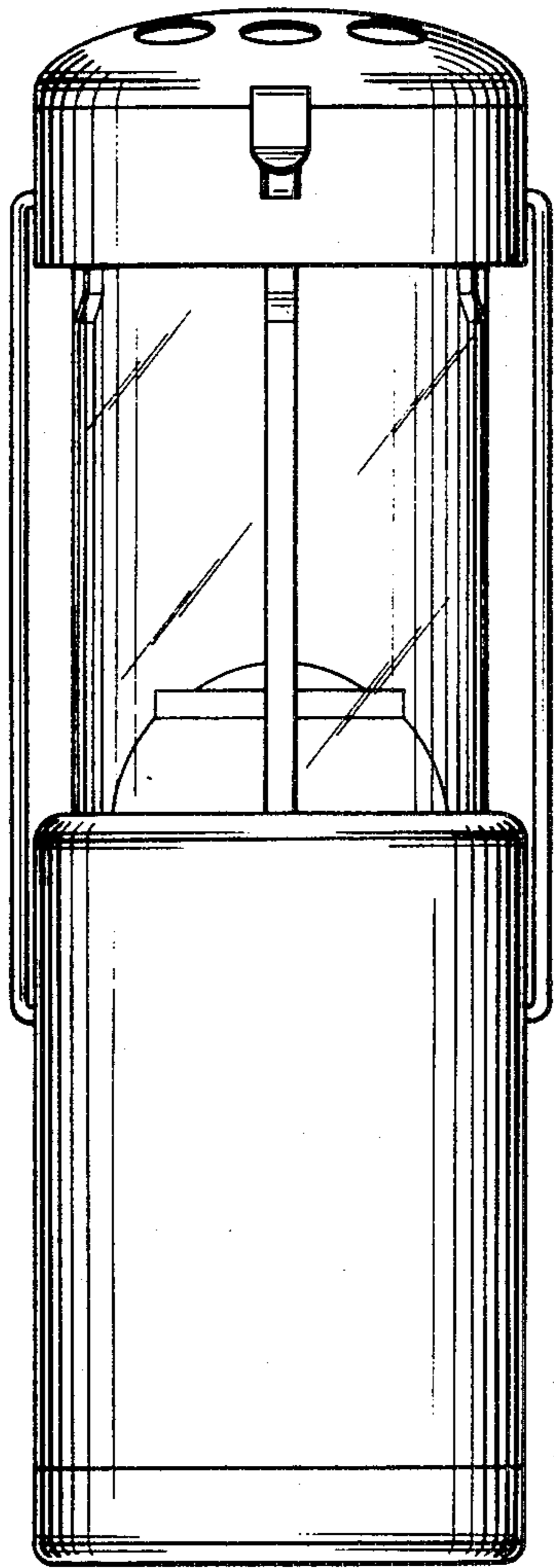


FIG. 4

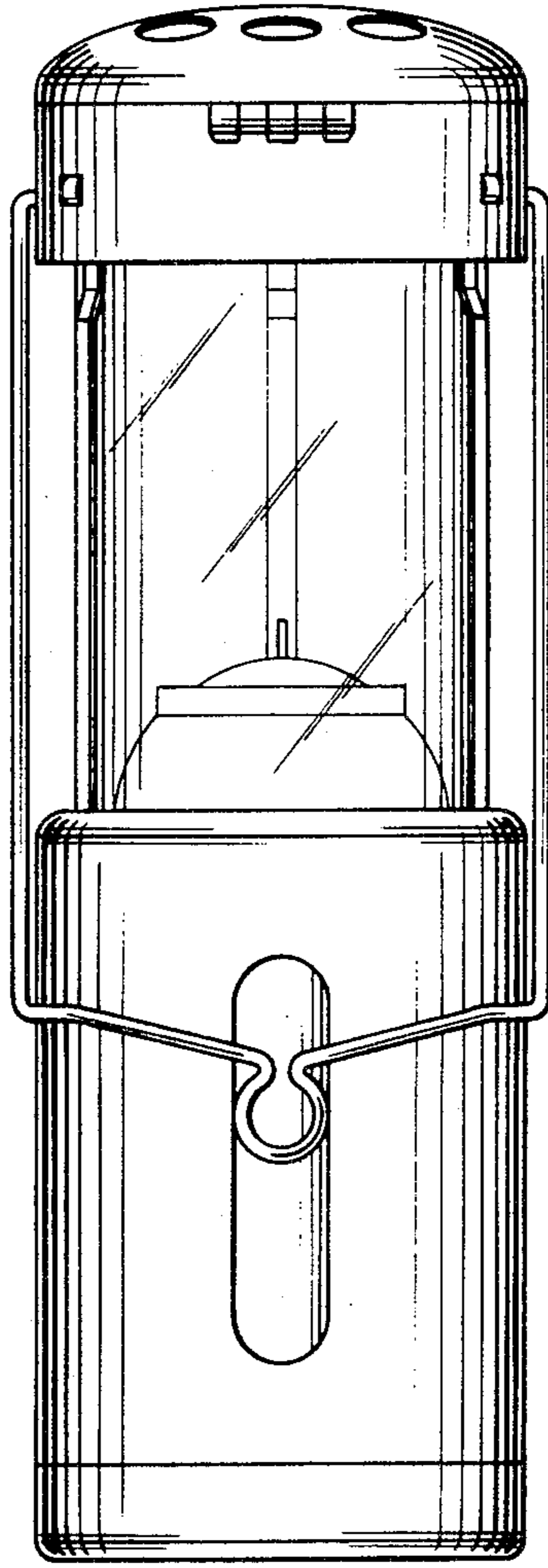


FIG. 5

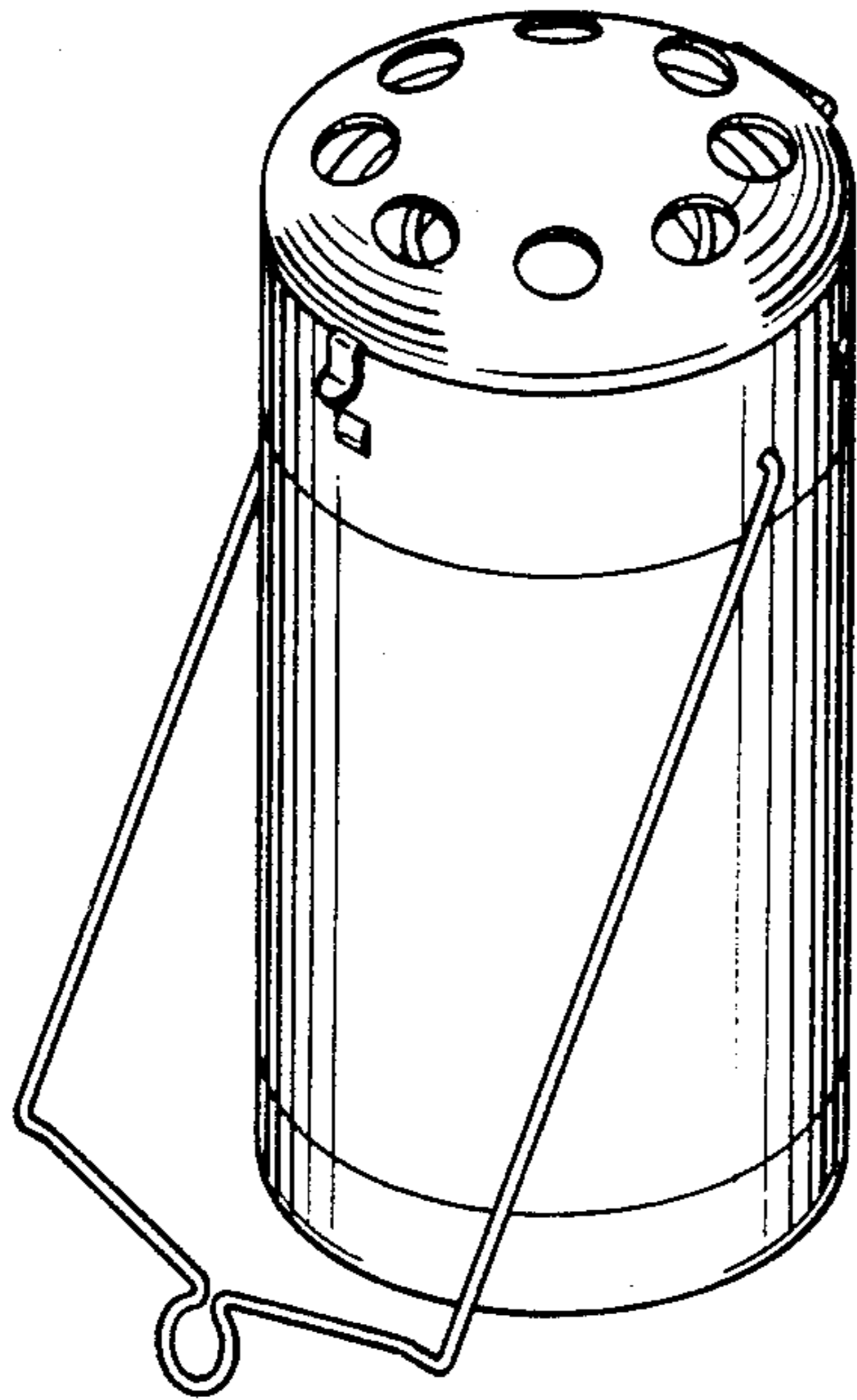


FIG. 6

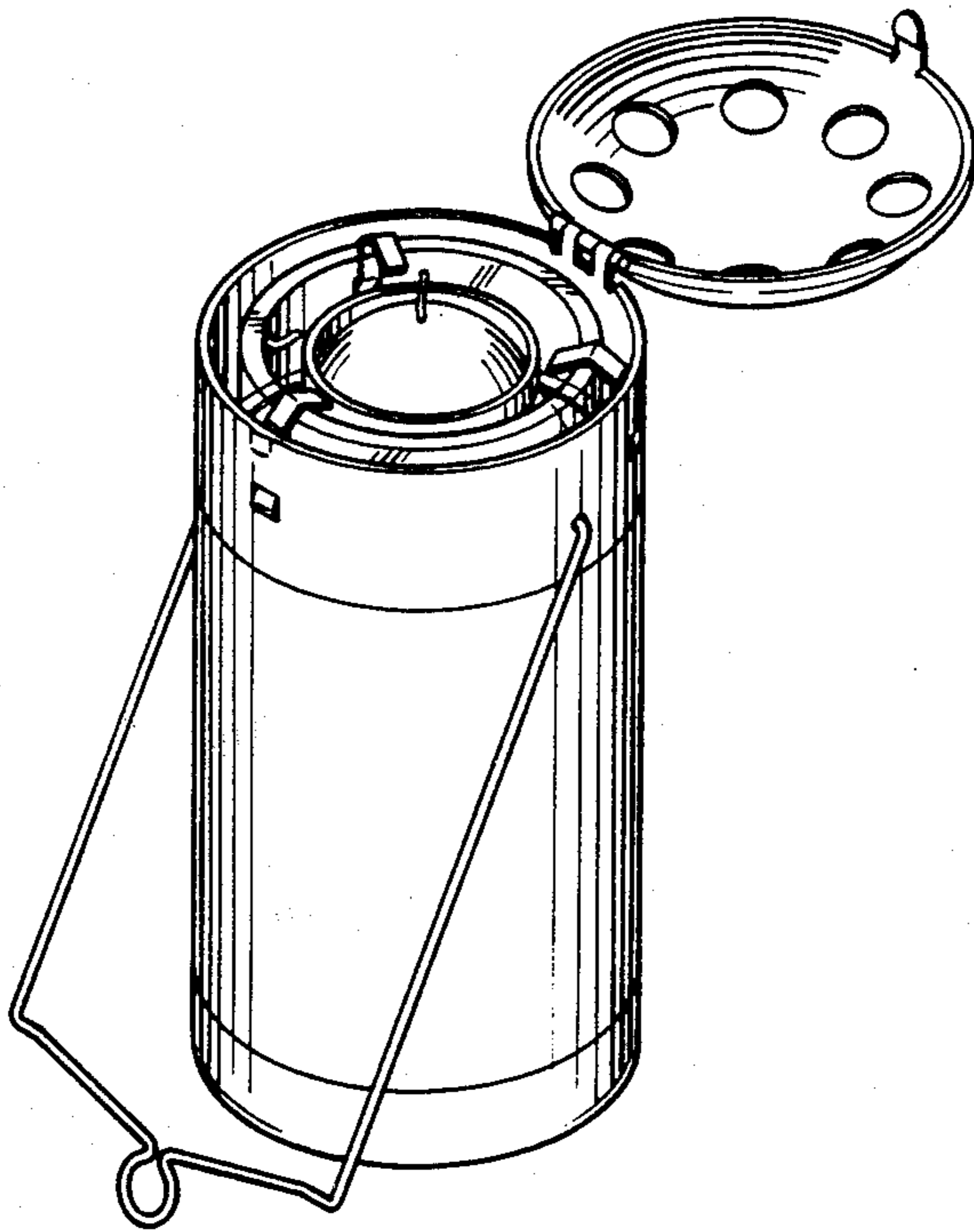


FIG. 7

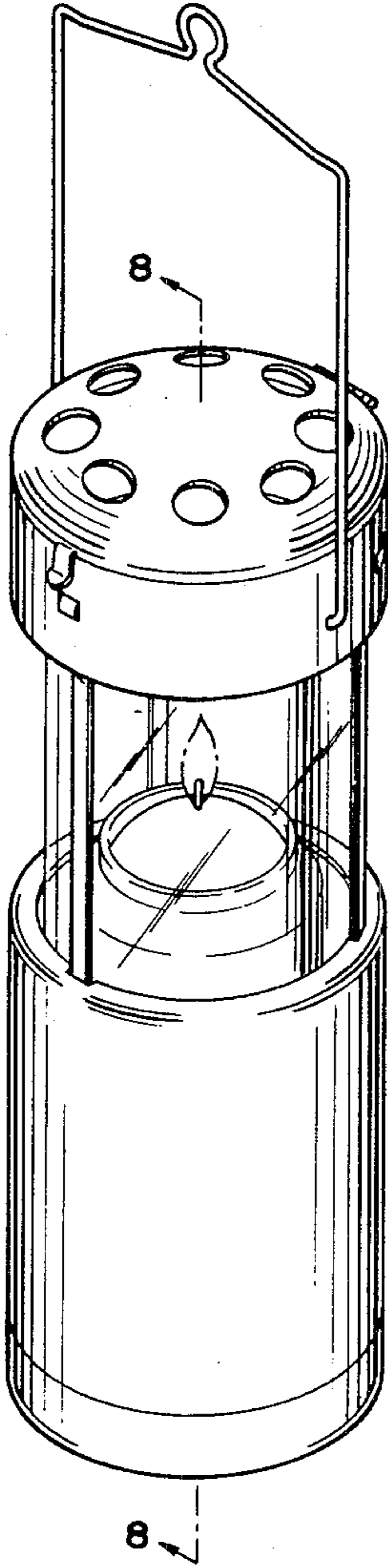


FIG. 8

