

[54] MARINE BOARDING STEPLADDER

4,231,448 11/1980 Jensen 182/151 X

[76] Inventor: Karl K. Feist, 2158 Beech Tree Dr., Uniontown, Ohio 44685

Primary Examiner—A. Hugo Word
Attorney, Agent, or Firm—Renner, Kenner, Greive, Bobak & Taylor

[**] Term: 14 Years

[21] Appl. No.: 649,688

[57] CLAIM

The ornamental design for a marine boarding stepladder, as shown and described.

[22] Filed: Sep. 12, 1984

[52] U.S. Cl. D25/65

[58] Field of Search 182/46, 165, 194, 151; D25/63, 64, 65; D12/317, 155; D6/350

DESCRIPTION

FIG. 1 is a front perspective view of a marine boarding stepladder embodying my new design;
FIG. 2 is a rear perspective view thereof;
FIG. 3 is a top plan view thereof;
FIG. 4 is a side elevation thereof;
The side opposite that shown in FIG. 4 is a mirror image thereof.

[56] References Cited

U.S. PATENT DOCUMENTS

- D. 273,919 5/1984 Pasinski D25/65 X
- 3,005,513 10/1961 Larson 182/165
- 3,299,985 1/1967 Harrison 182/194

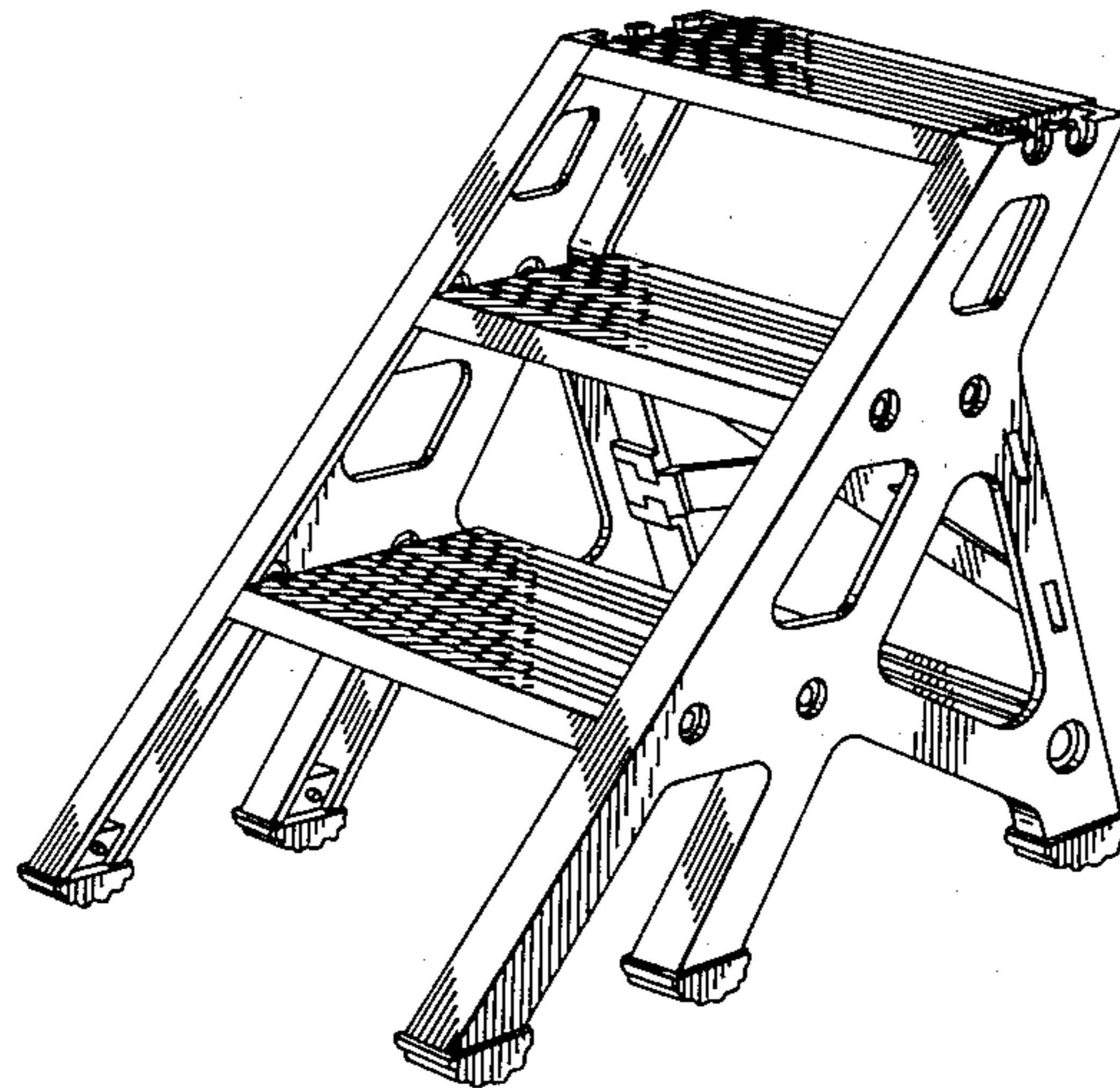


FIG. 1

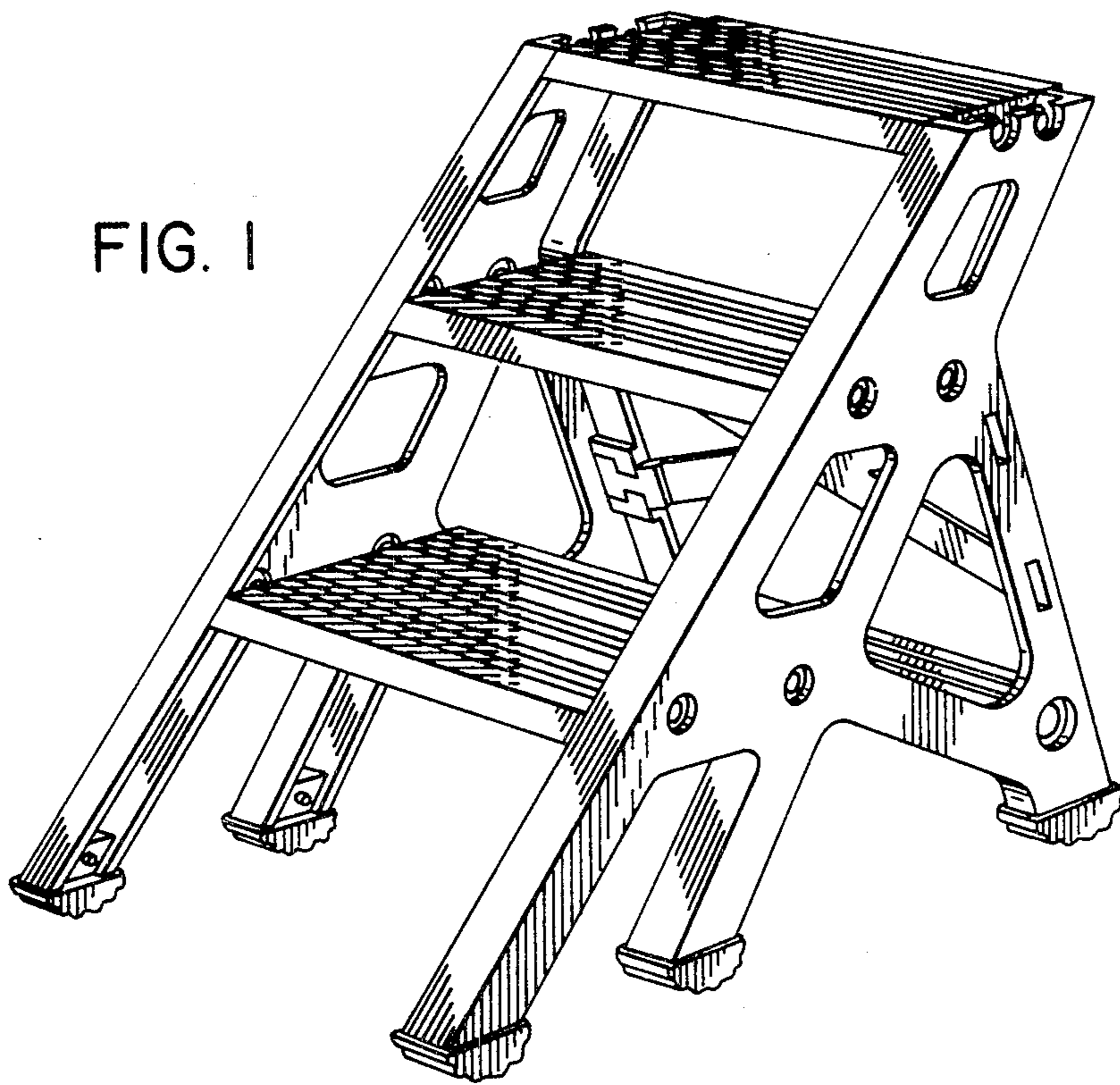
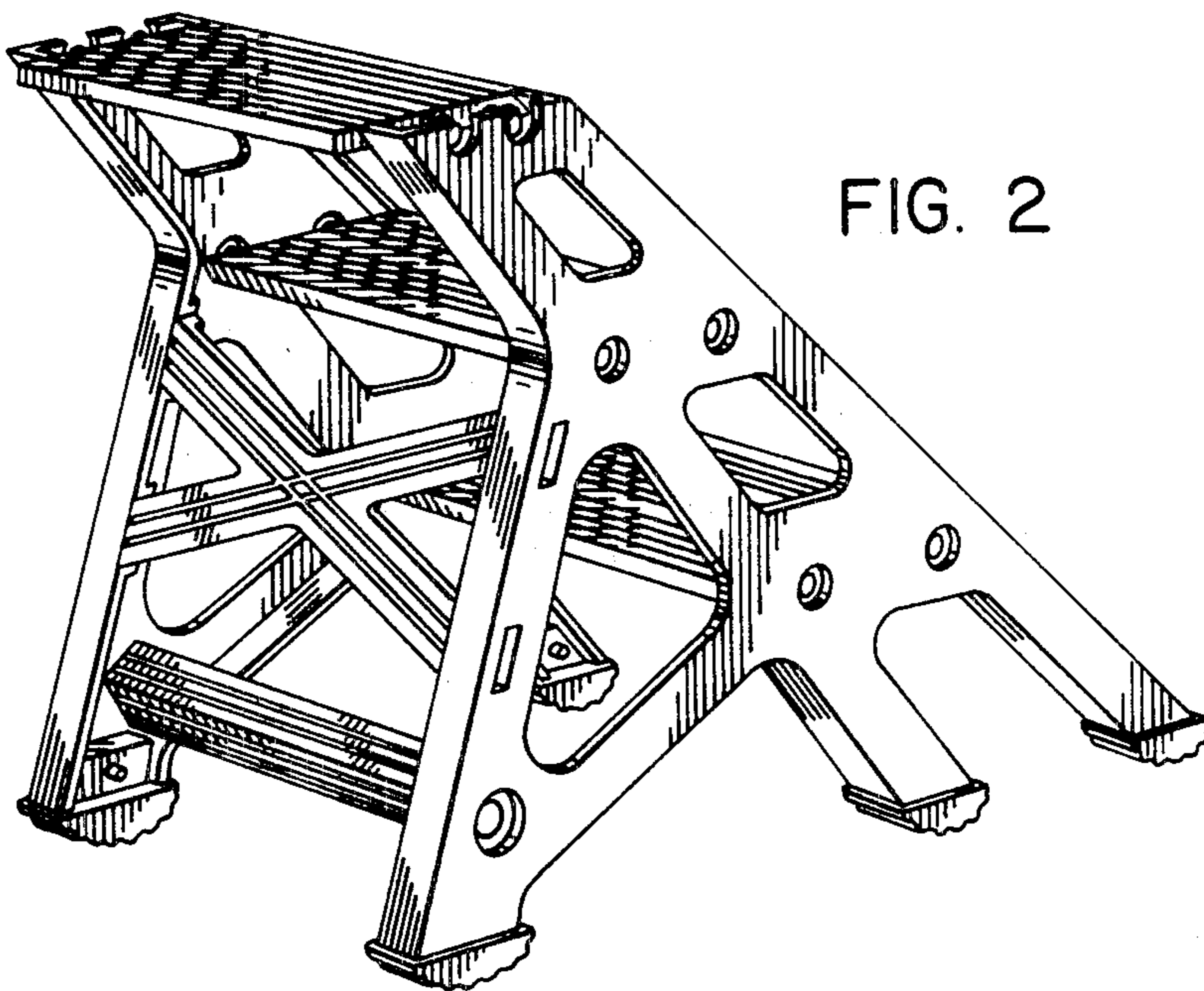


FIG. 2



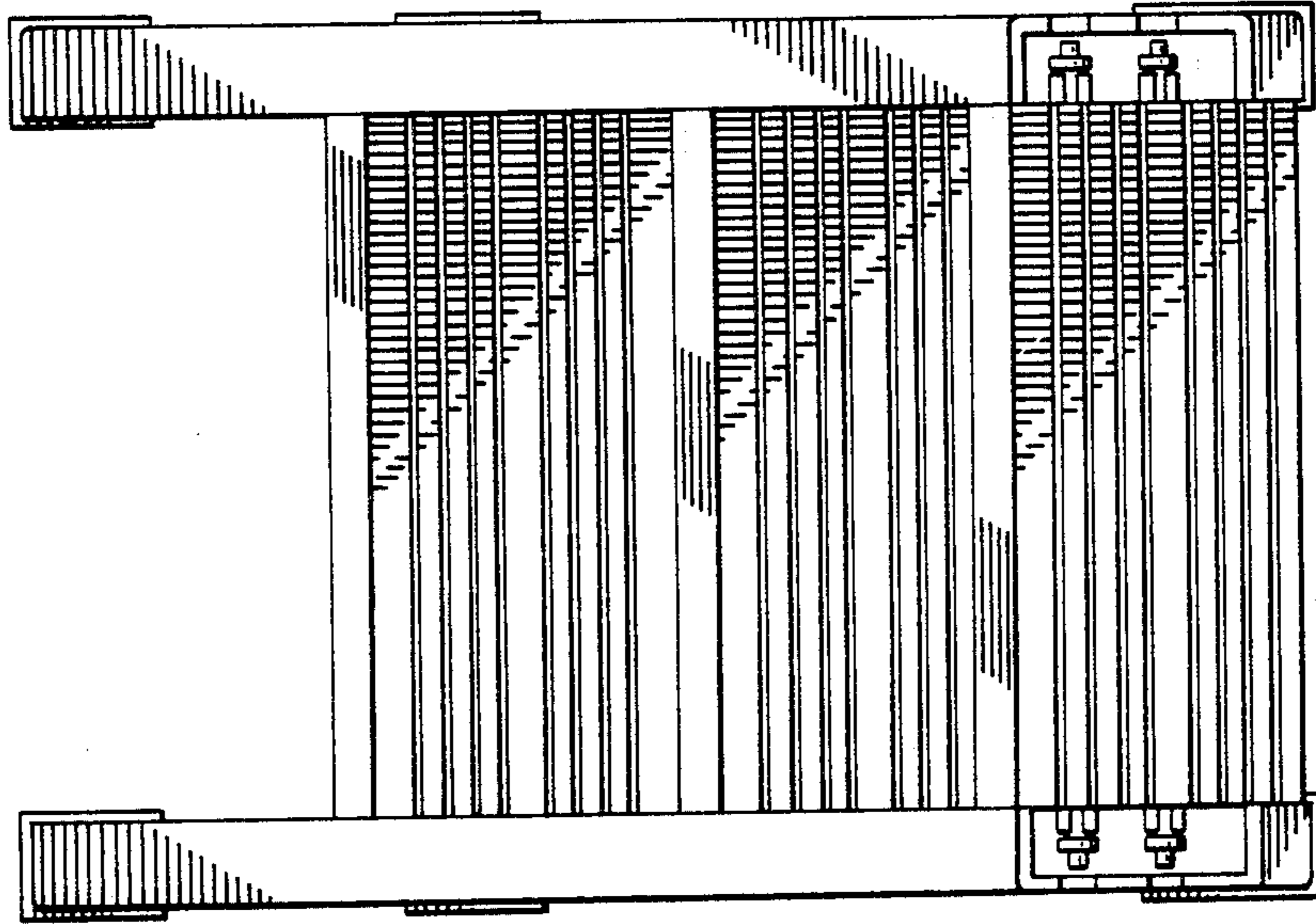


FIG. 3

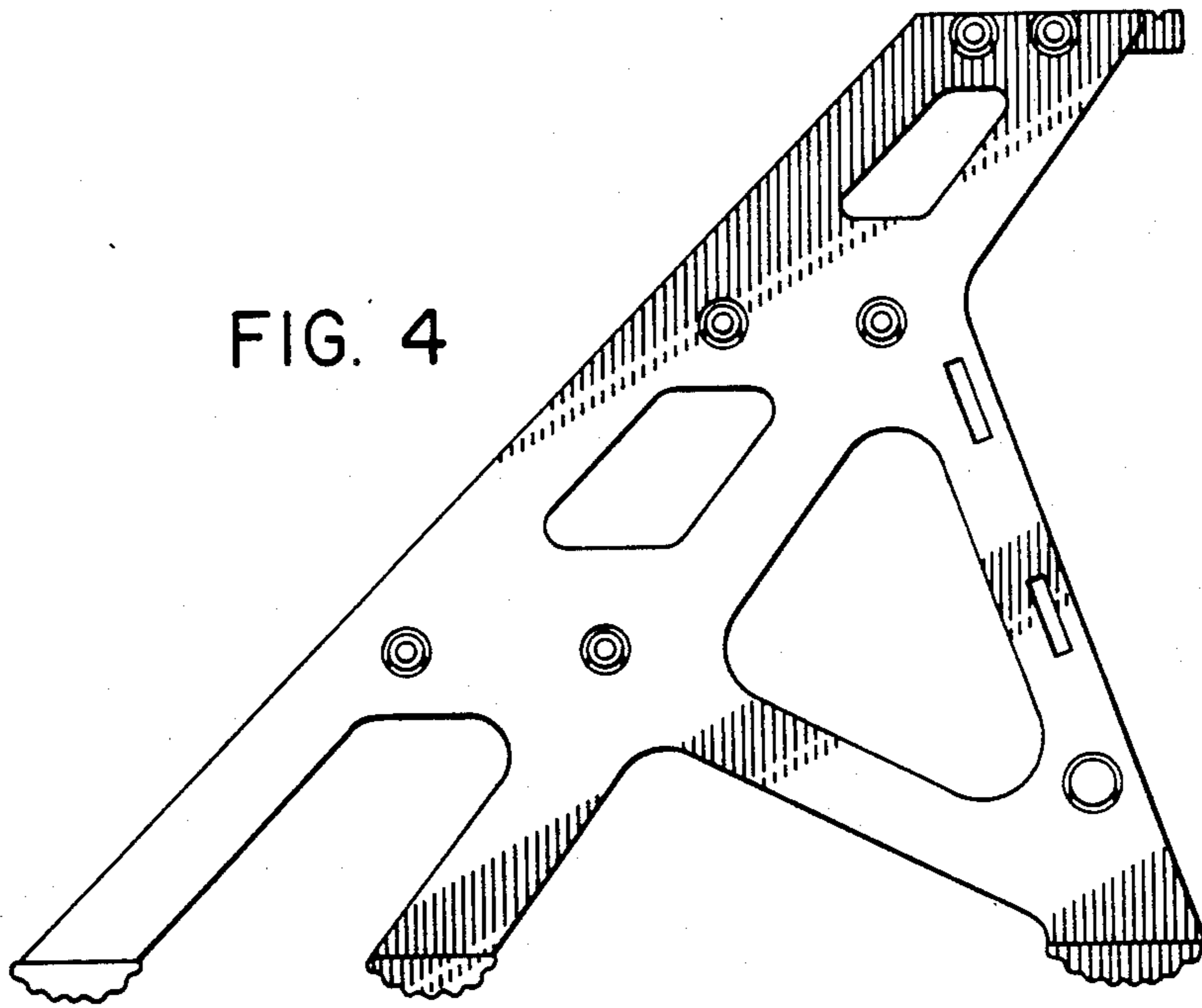


FIG. 4