

- [54] AIR FRESHENING ATTACHMENT FOR VENTILATION REGISTER OR THE LIKE
- [76] Inventor: Terri L. Darneal, 5623 Kermit La., Stockton, Calif. 95217
- [\*\*] Term: 14 Years
- [21] Appl. No.: 682,634
- [22] Filed: Dec. 17, 1984
- [52] U.S. Cl. .... D23/148
- [58] Field of Search ..... D23/146-150, D23/140; 219/271-276, 360, 362; 98/29-31, 32, 38.1-38.9, 40; 261/24, 29, 95, 99, DIG. 17, DIG. 42, DIG. 48, DIG. 65; 239/34, 43, 136; 312/31, 31.01-31.03; 222/23

2,808,374 10/1957 Mueller et al. .... D23/150 X  
 3,715,565 2/1973 Nutt ..... 219/274

Primary Examiner—Wallace R. Burke  
 Assistant Examiner—Brian N. Vinson  
 Attorney, Agent, or Firm—Lothrop & West

[57] CLAIM

The ornamental design for an air freshening attachment for ventilation register or the like, as shown and described.

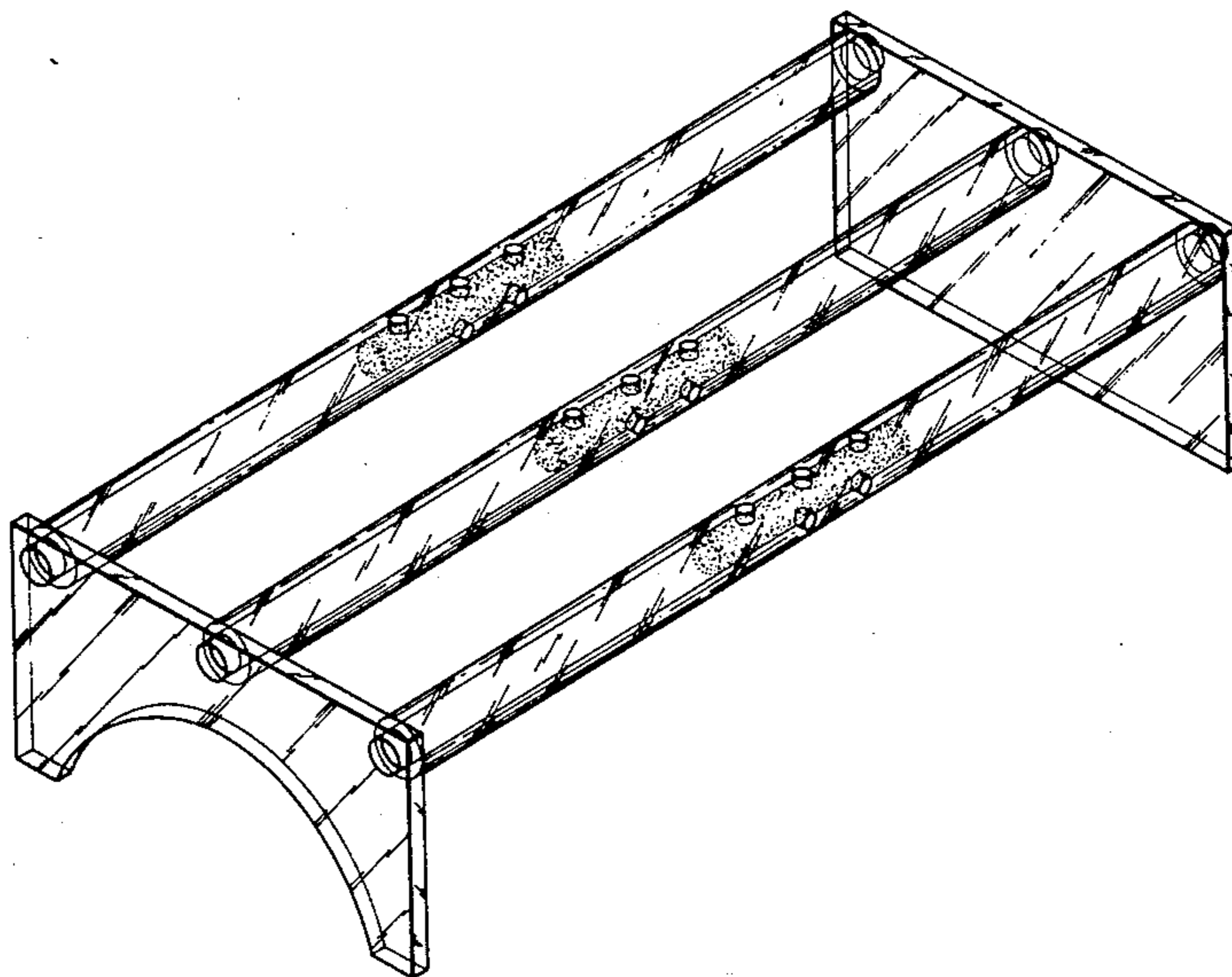
DESCRIPTION

FIG. 1 is a front and top perspective view of an air freshening attachment for ventilation register, or the like, showing my new design;  
 FIG. 2 is a side elevational view thereof, the opposite side being identical in appearance;  
 FIG. 3 is an end elevational view thereof;  
 FIG. 4 is an opposite end elevational view thereof;  
 FIG. 5 is a top plan view, thereof; and,  
 FIG. 6 is a bottom plan view.

[56] References Cited

U.S. PATENT DOCUMENTS

- D. 48,392 1/1916 Loheide ..... D23/146
- D. 269,808 7/1983 Morton ..... D23/146
- 2,757,788 8/1956 Weber ..... 219/271 X



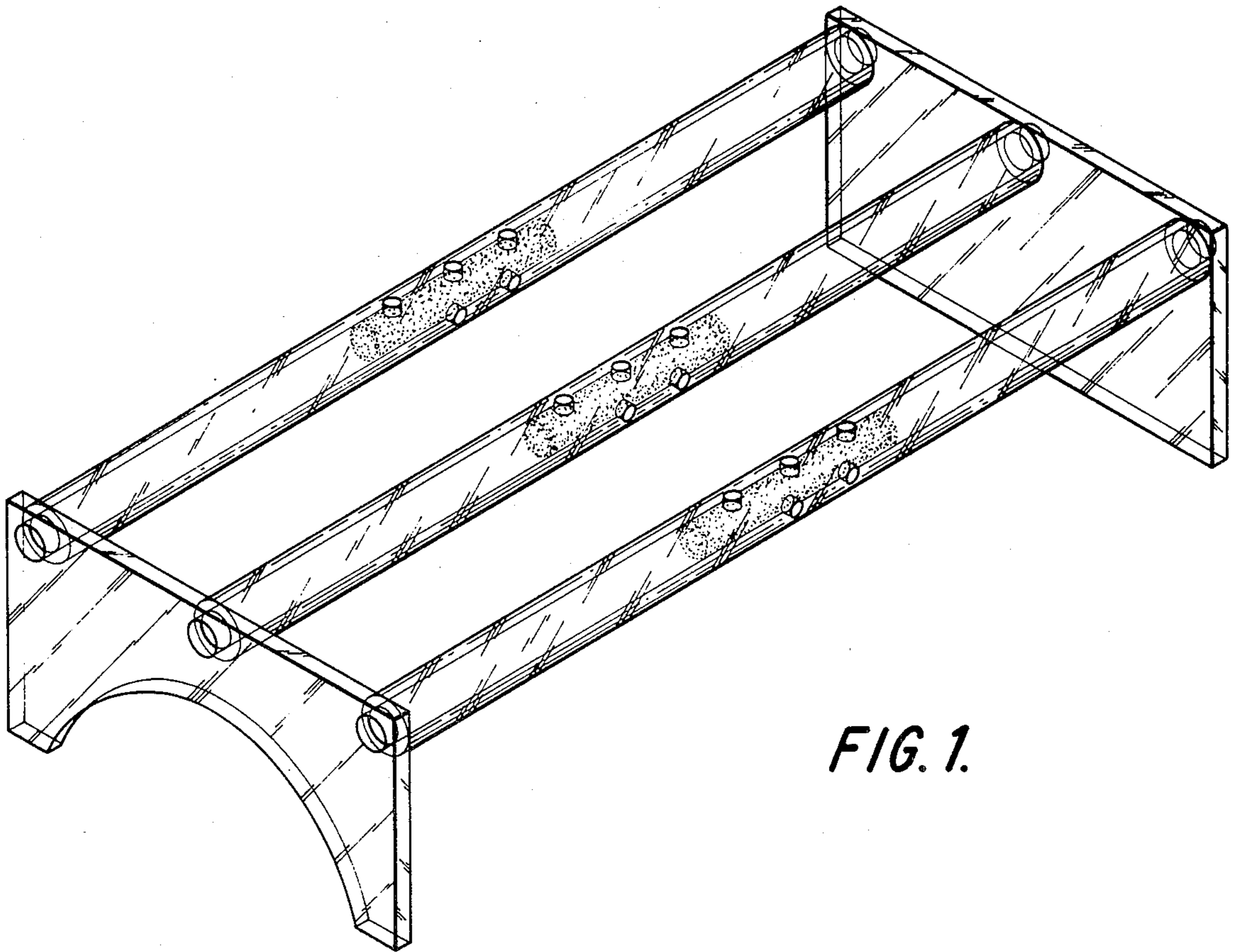


FIG. 1.

FIG. 2.

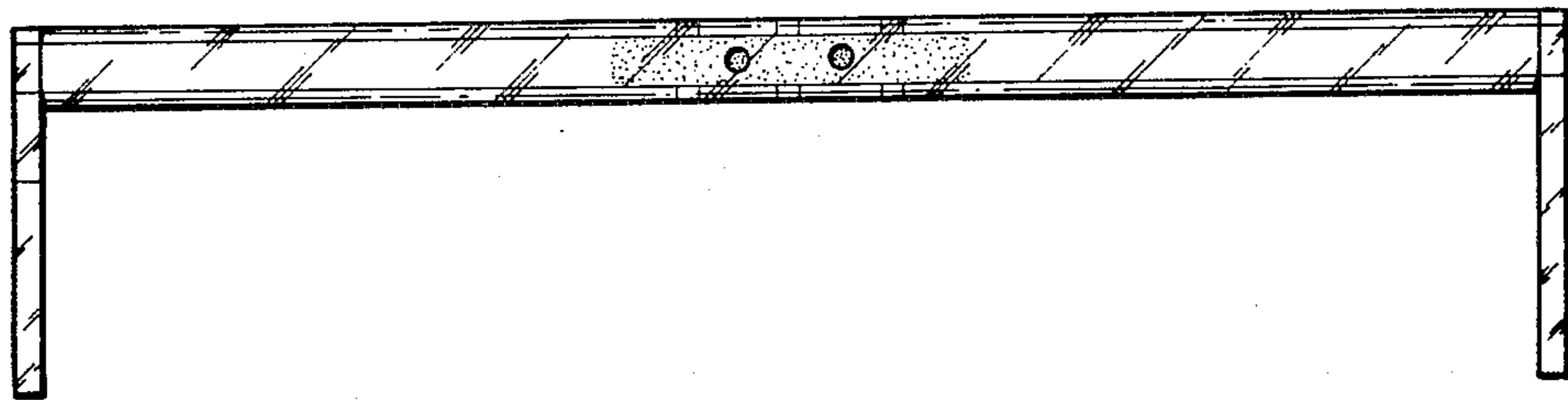


FIG. 3.

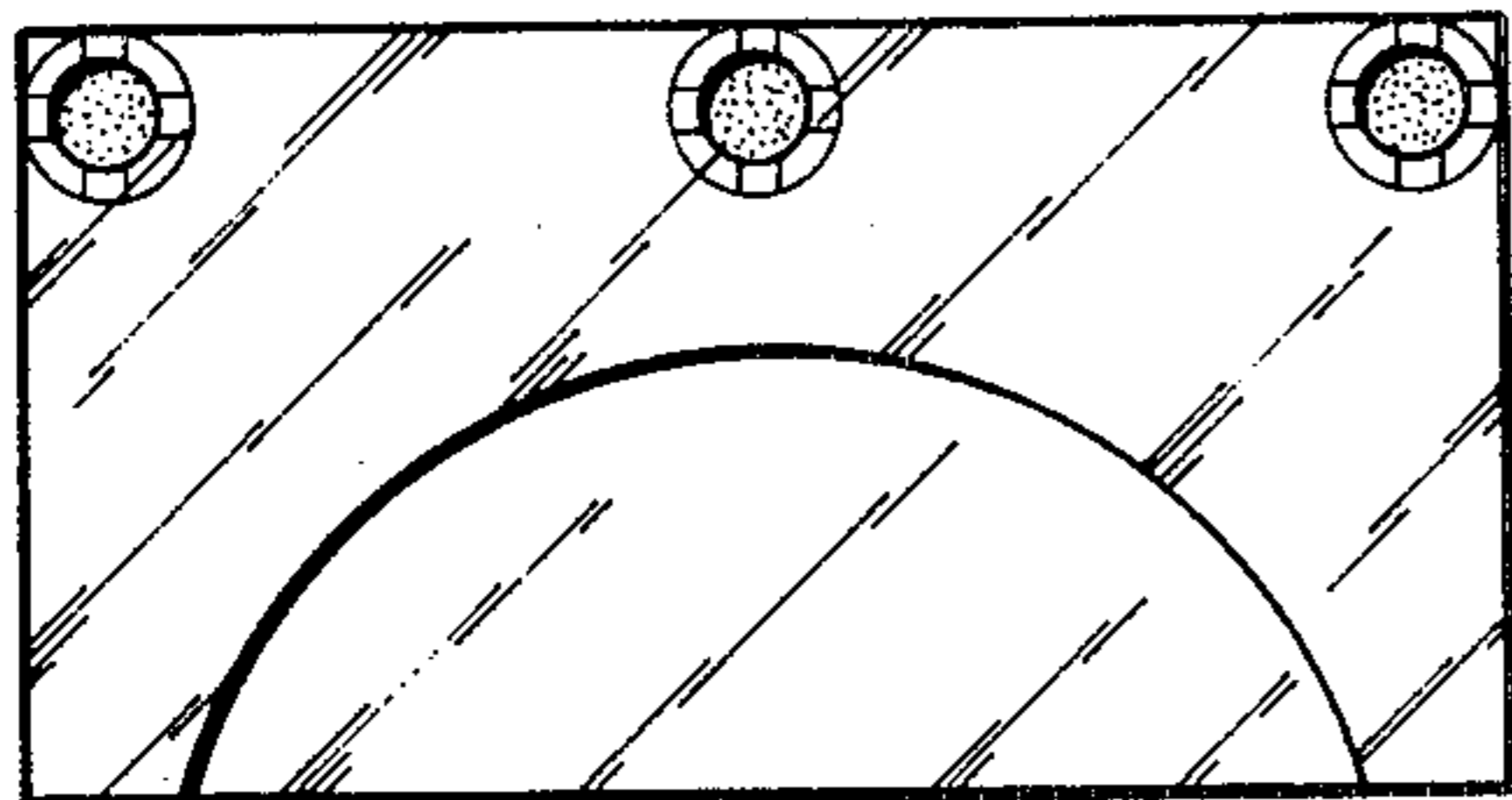


FIG. 4.

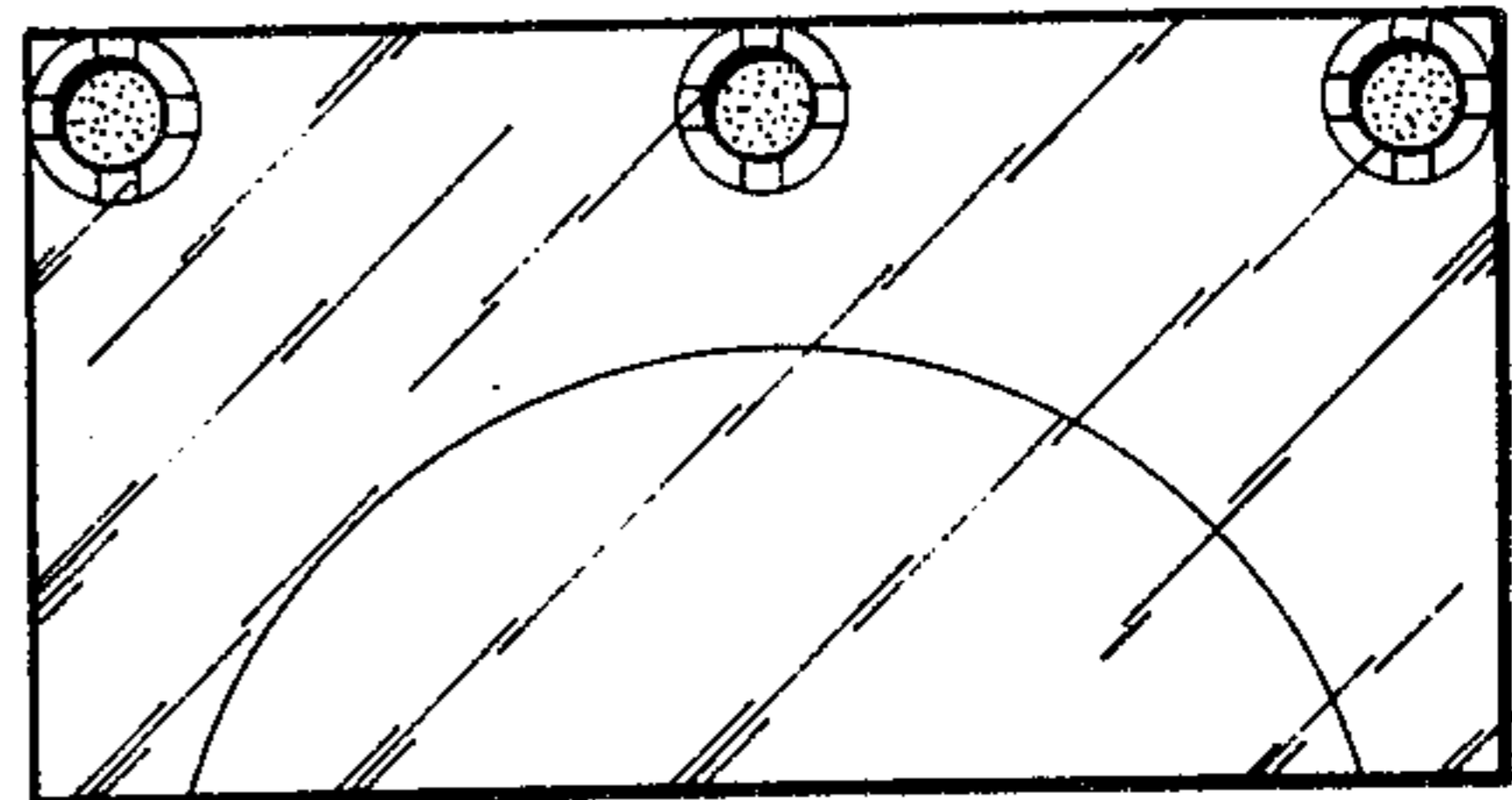


FIG. 5.

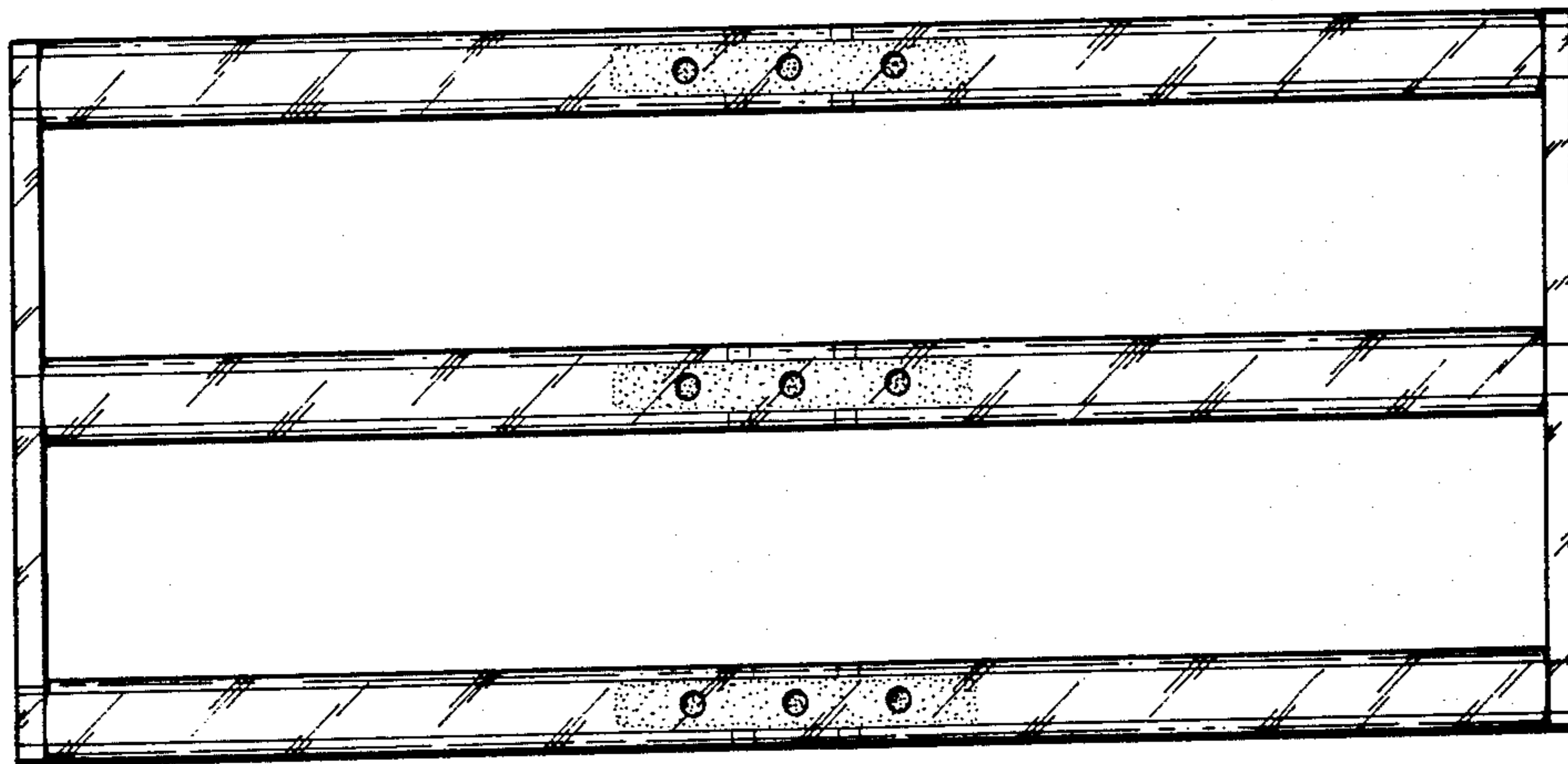


FIG. 6.

