

[54] PIERCING VALVE

[75] Inventor: Arnold A. Cowan, Encino, Calif.

[73] Assignee: Gem Products, Inc., Calif.

[**] Term: 14 Years

[21] Appl. No.: 675,360

[22] Filed: Nov. 27, 1984

[52] U.S. Cl. D23/19

[58] Field of Search D23/19-22,
D23/37-39; 137/317, 318

[56] References Cited

U.S. PATENT DOCUMENTS

D. 237,883	12/1975	Zetterberg et al.	D23/19
3,198,206	8/1965	O'Brien	137/318 X
3,252,474	5/1966	Ehrens et al.	137/318
3,252,475	5/1966	Jones	137/318
3,428,075	2/1969	Wagner	137/318
3,554,217	1/1971	Ehrens et al.	137/318

3,973,584	8/1976	McKinnon et al.	137/318
3,978,881	9/1976	Mouranie	137/318
4,204,559	5/1980	Wagner	137/318
4,415,000	11/1983	Odmann	137/318
4,537,214	8/1985	Cowan	137/318

Primary Examiner—James R. Largen
Attorney, Agent, or Firm—Cislo & Thomas

[57] CLAIM

The ornamental design for a piercing valve, as shown and described.

DESCRIPTION

FIG. 1 is a perspective view taken from the top, front and right side of a piercing valve showing my new design;

FIG. 2 is a top plan view thereof;

FIG. 3 is a bottom plan view thereof;

FIG. 4 is a front elevational view thereof;

FIG. 5 is a rear elevational view thereof;

FIG. 6 is a left side elevational view thereof; and

FIG. 7 is a right side elevational view thereof.

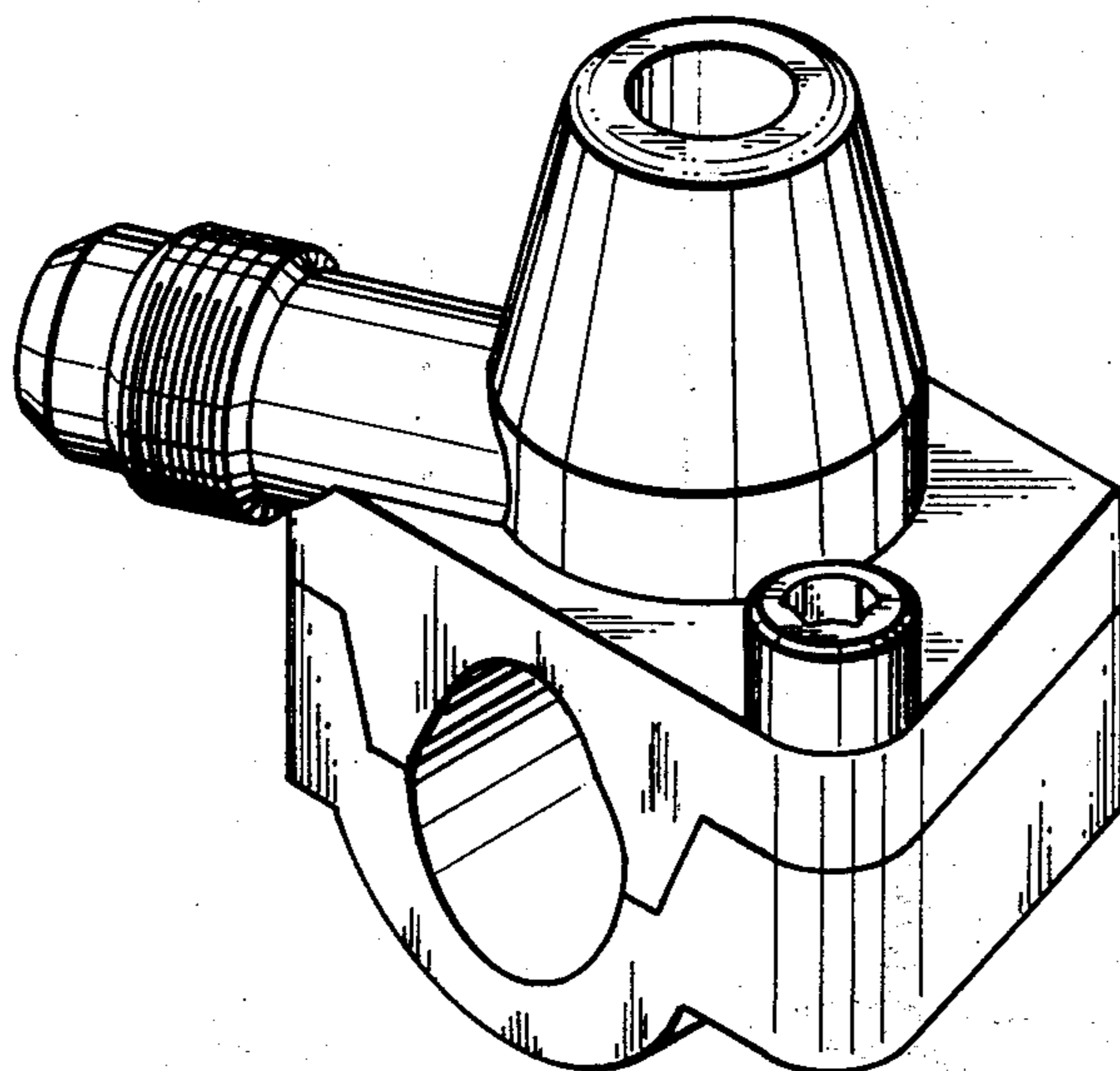


Fig. 1.

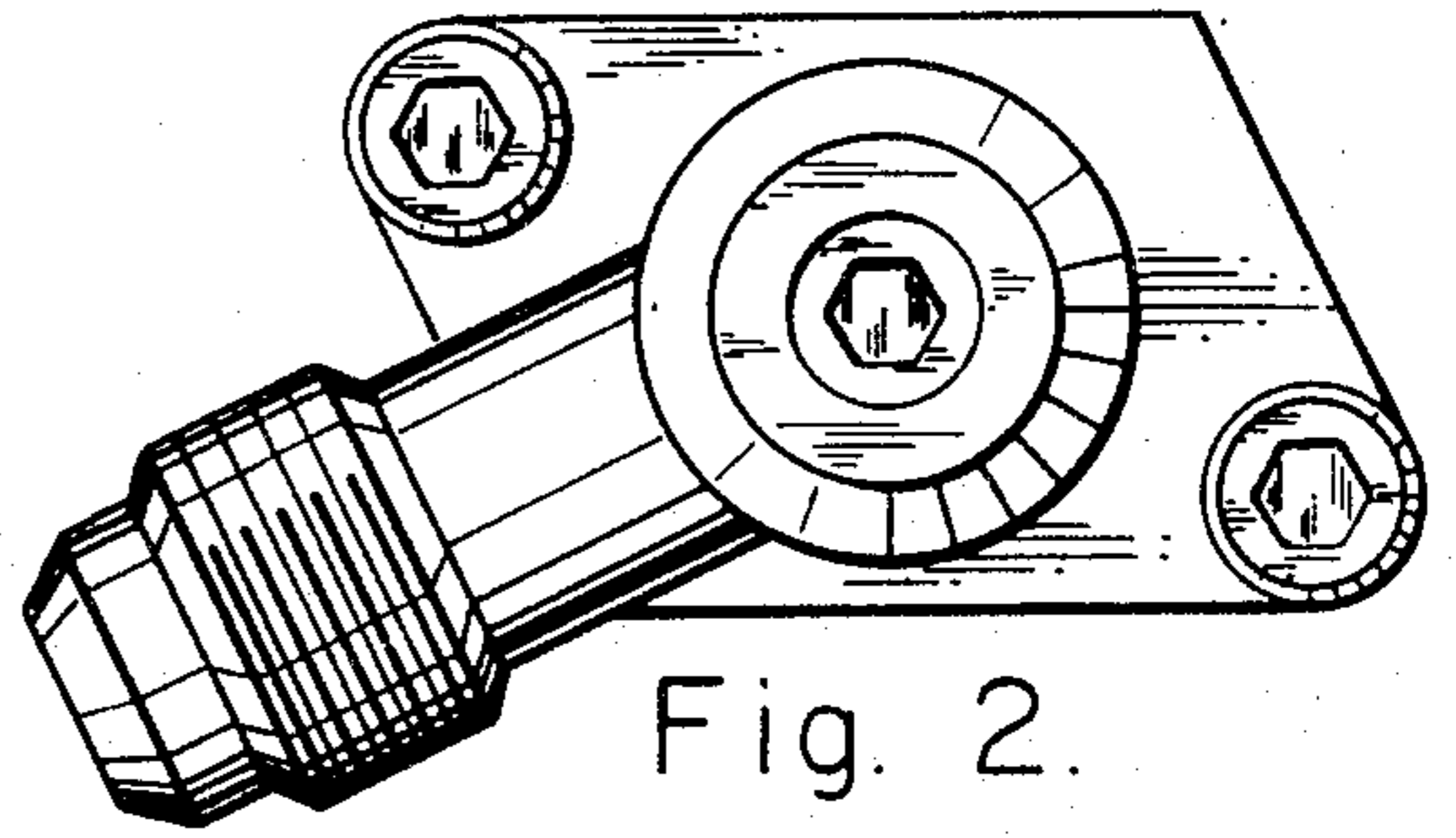
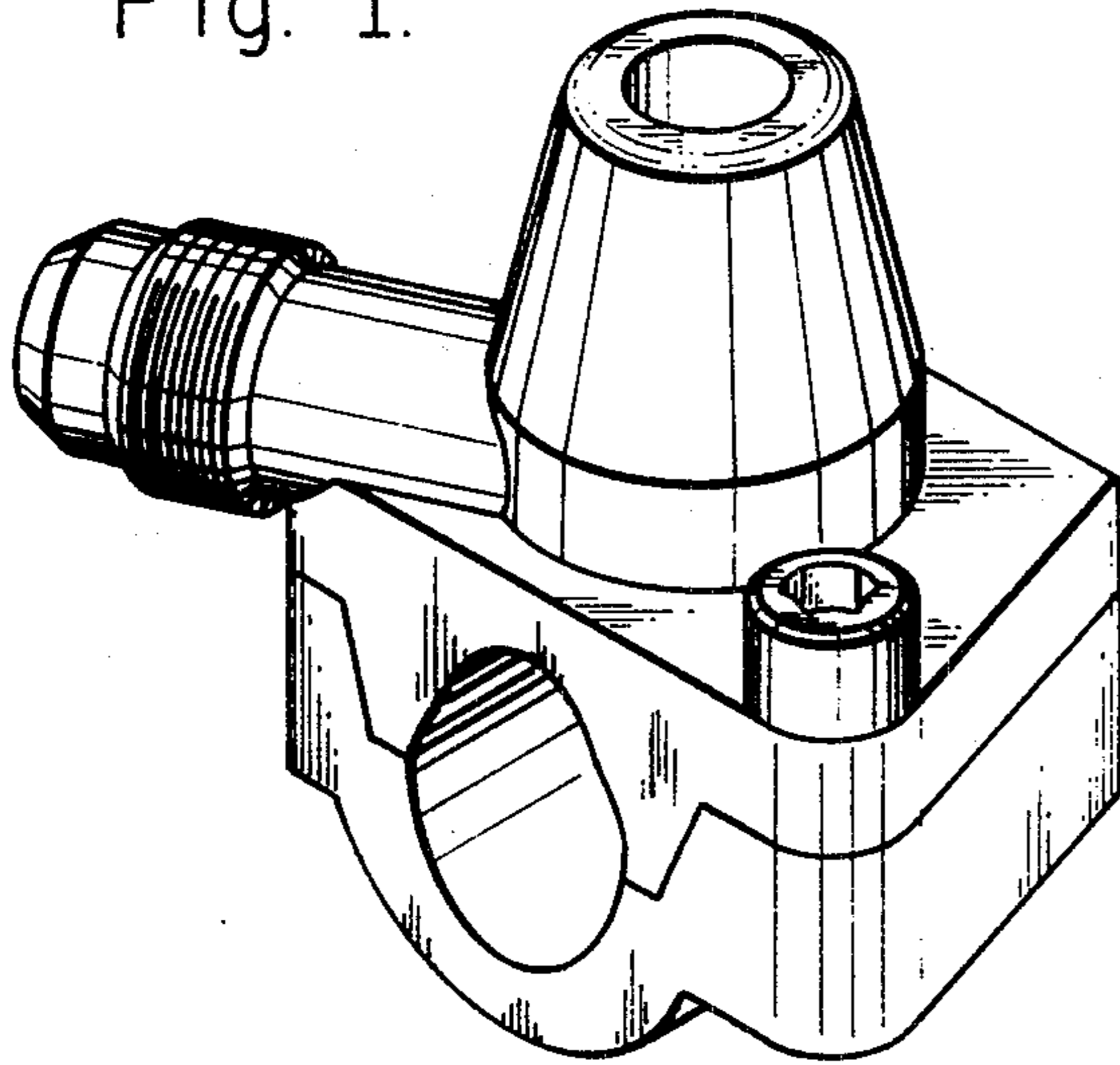


Fig. 2.

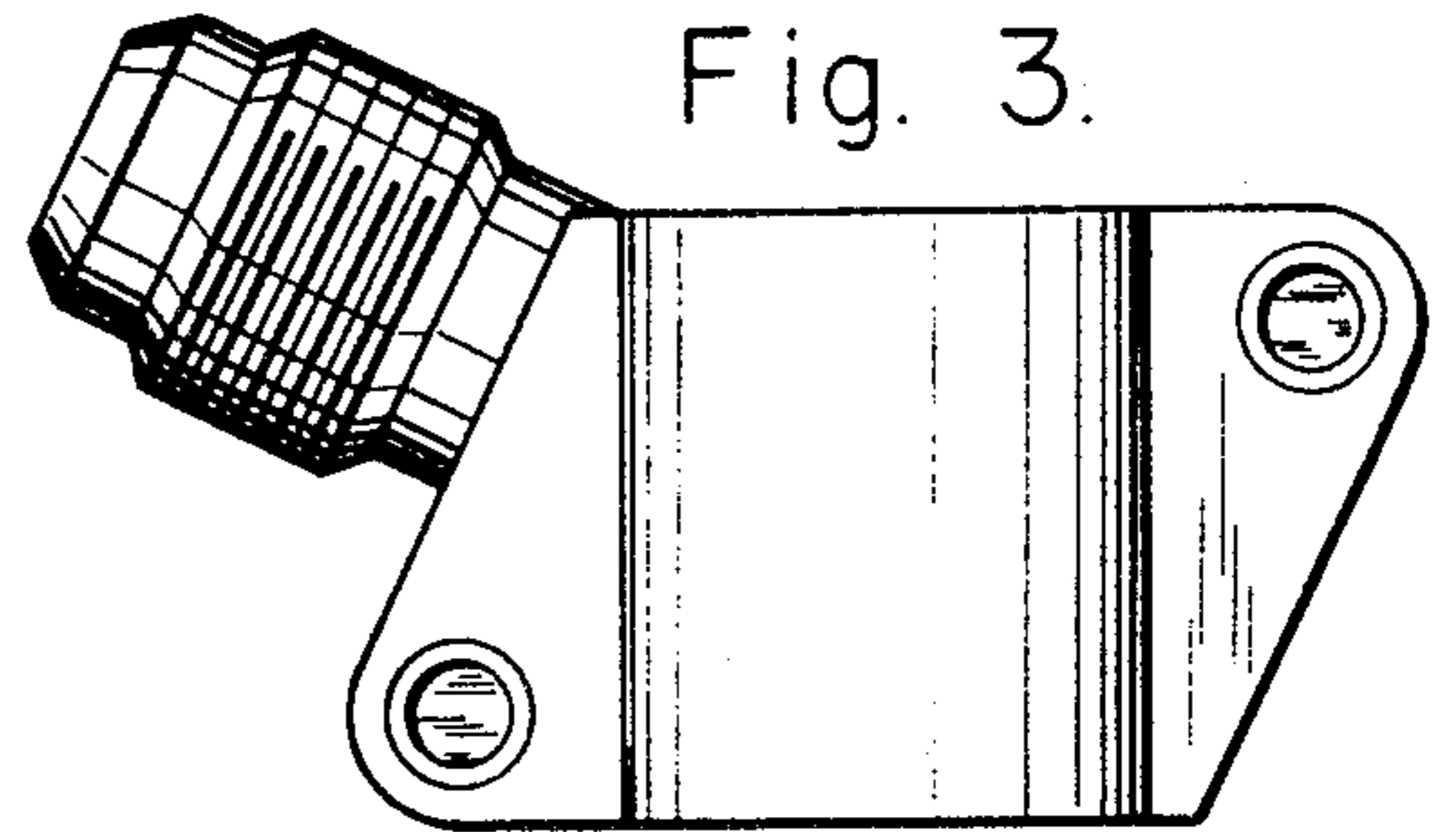


Fig. 3.

Fig. 4.

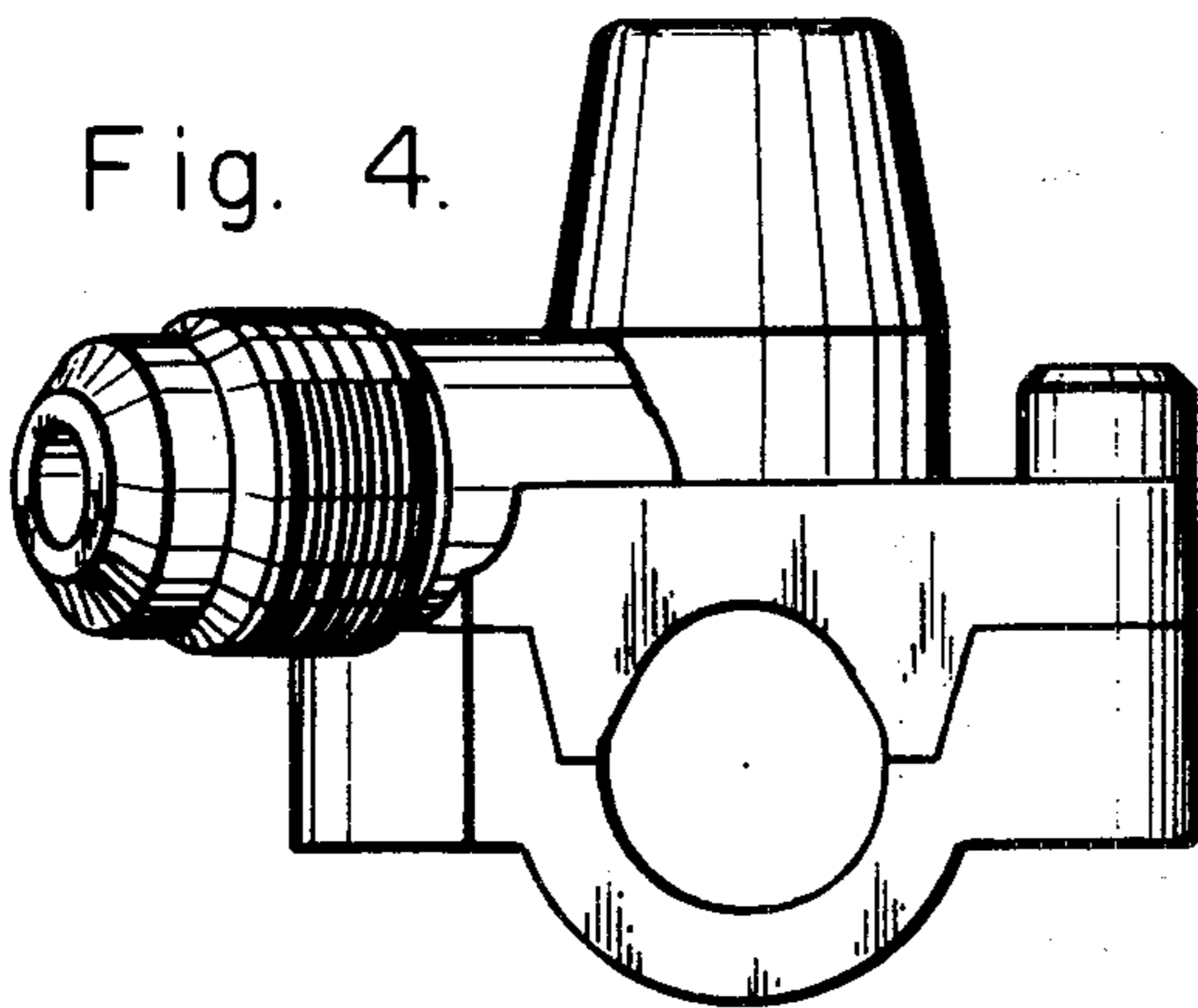


Fig. 5.

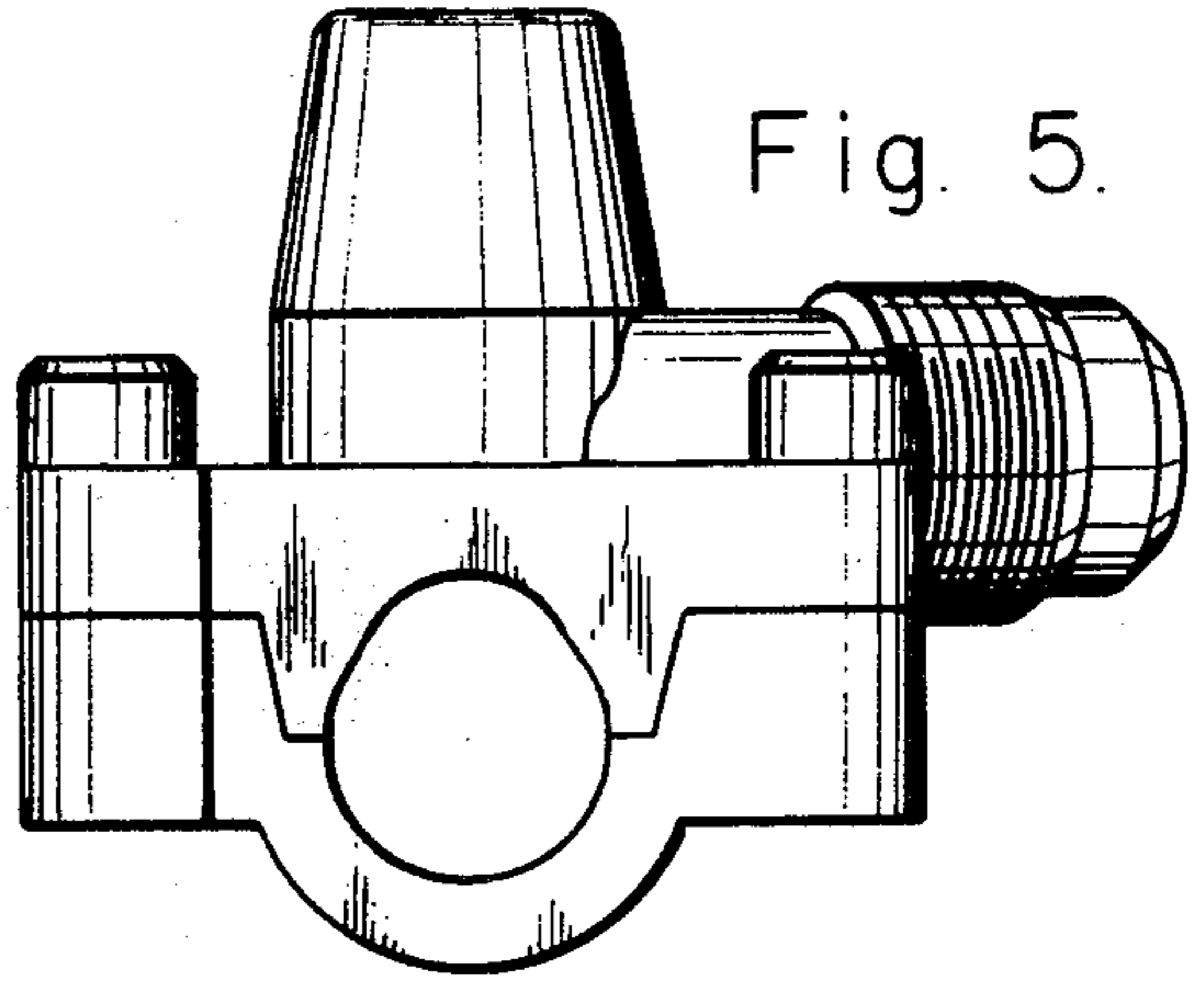


Fig. 6.

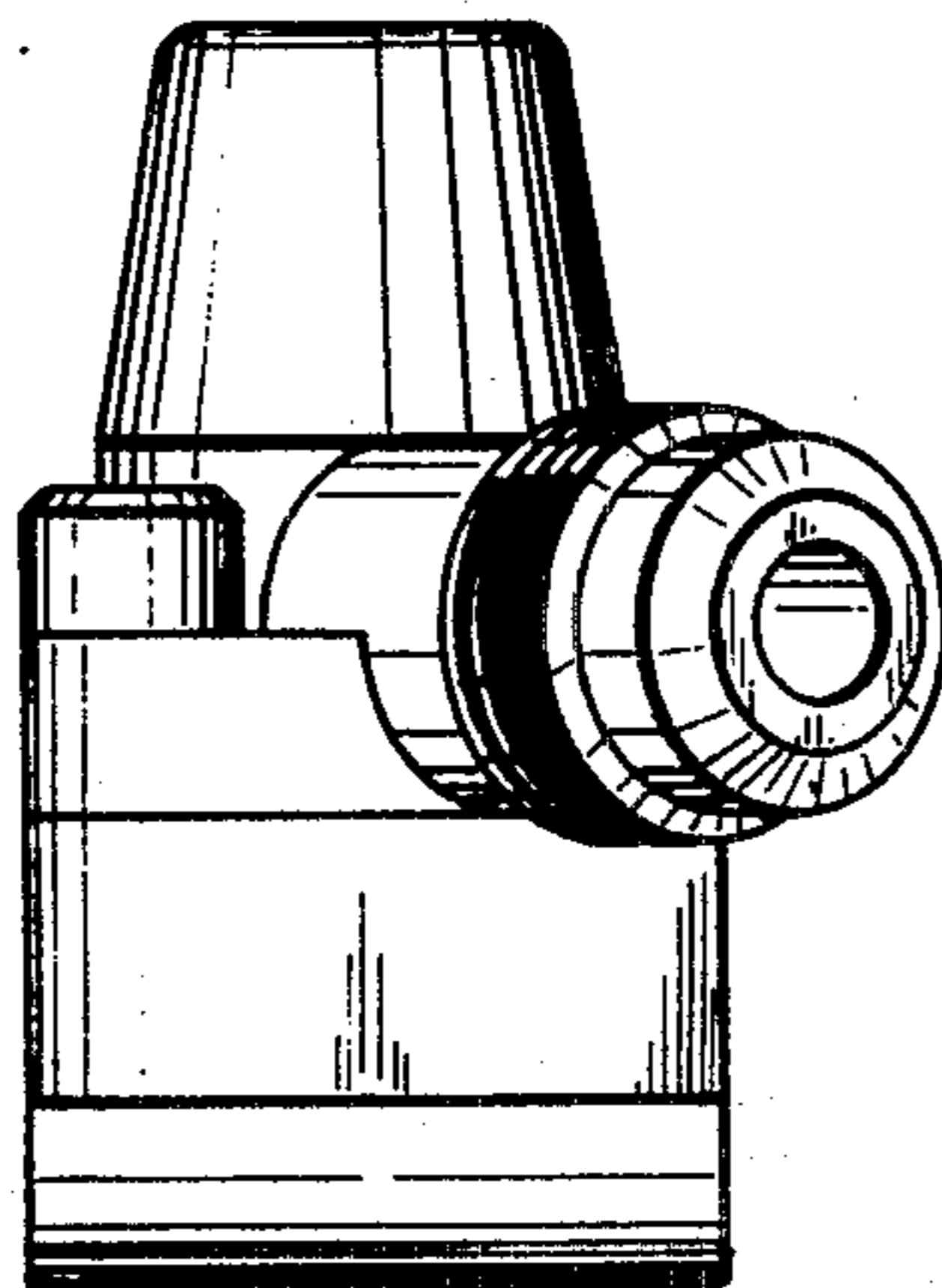


Fig. 7.

