

[54] **MAGNETIC CIRCULAR SEPARATOR**

[76] **Inventor: Robert T. Wysolmierski, P.O. Box 228, Brookline, N.H. 03033**

[**] **Term: 14 Years**

[21] **Appl. No.: 633,041**

[22] **Filed: Jul. 20, 1984**

[52] **U.S. Cl. D15/147**

[58] **Field of Search D23/3, 4; 210/222, 223; D15/147**

[56] **References Cited**

U.S. PATENT DOCUMENTS

D. 255,580	6/1980	Knoll et al.	D15/147
D. 265,094	6/1982	Williams	D15/147
2,326,575	8/1943	Stearns	210/222 X
4,153,542	5/1979	Bender et al.	210/222 X
4,316,798	2/1982	Jepson et al.	210/222 X
4,498,987	2/1985	Inaba	210/222

Primary Examiner—A. Hugo Word
Assistant Examiner—Stella M. Reid
Attorney, Agent, or Firm—Hayes, Davis & Soloway

[57] **CLAIM**

The ornamental design for a magnetic circular separator, as shown and described.

DESCRIPTION

FIG. 1 is a front elevational view of a magnetic circular separator showing my new design with door in closed position;

FIG. 2 is a rear elevational view thereof;

FIG. 3 is a left side elevational view thereof;

FIG. 4 is a right side elevational view thereof;

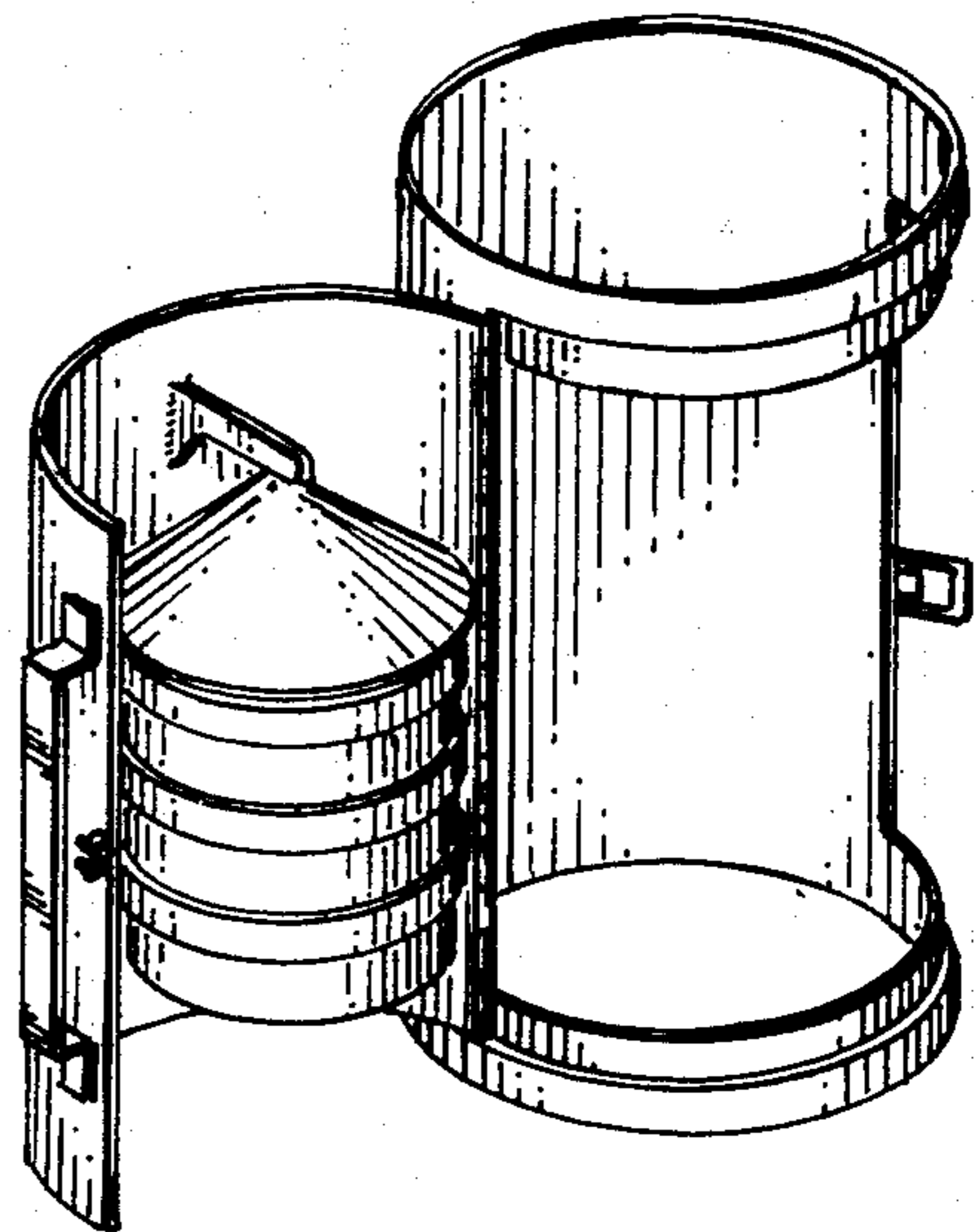
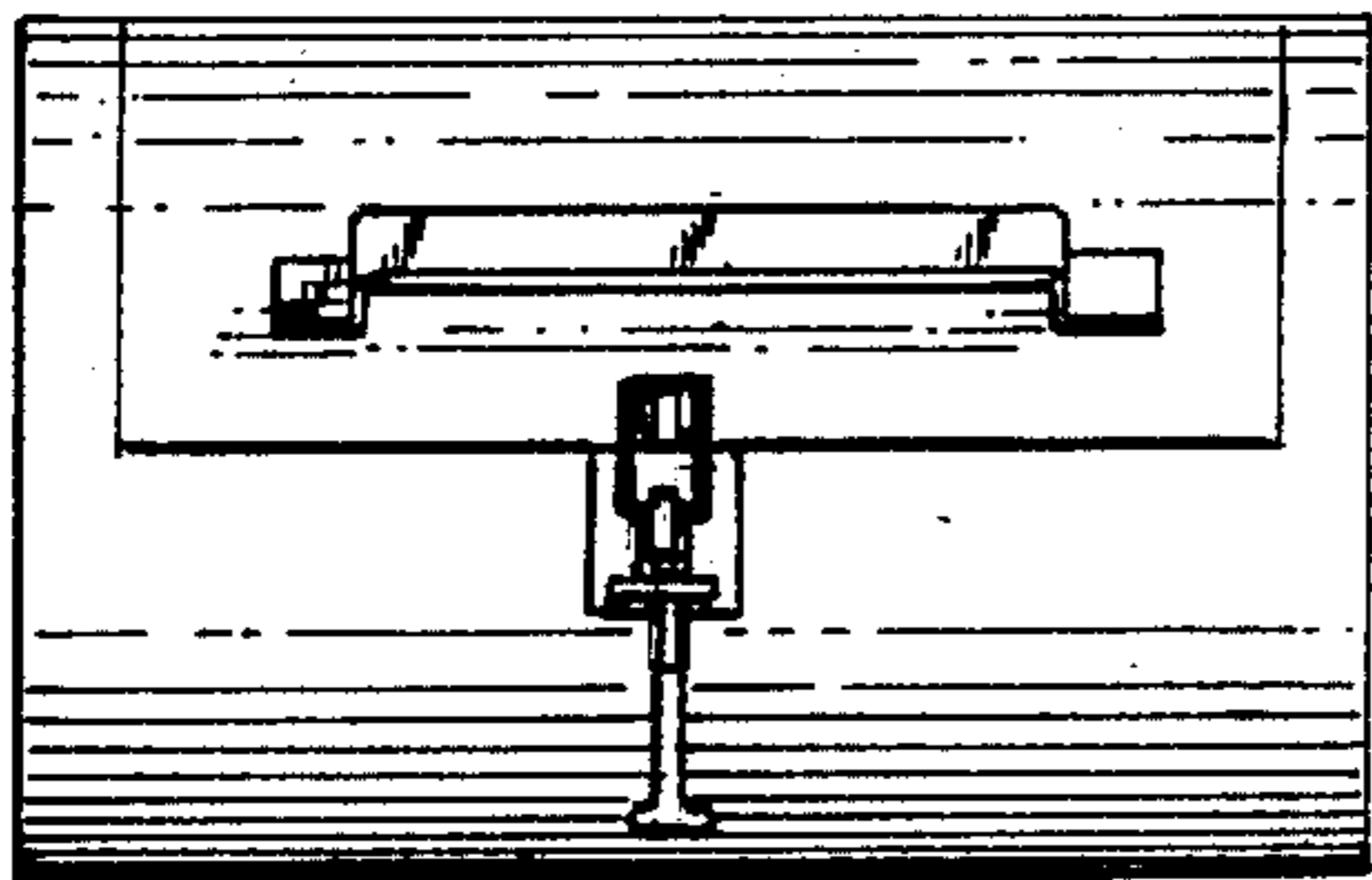
FIG. 5 is a front elevational view thereof;

FIG. 6 is a left side elevational view thereof;

FIG. 7 is a top plan view thereof, with door closed;

FIG. 8 is a bottom plan view thereof; and

FIG. 9 is a perspective view thereof.



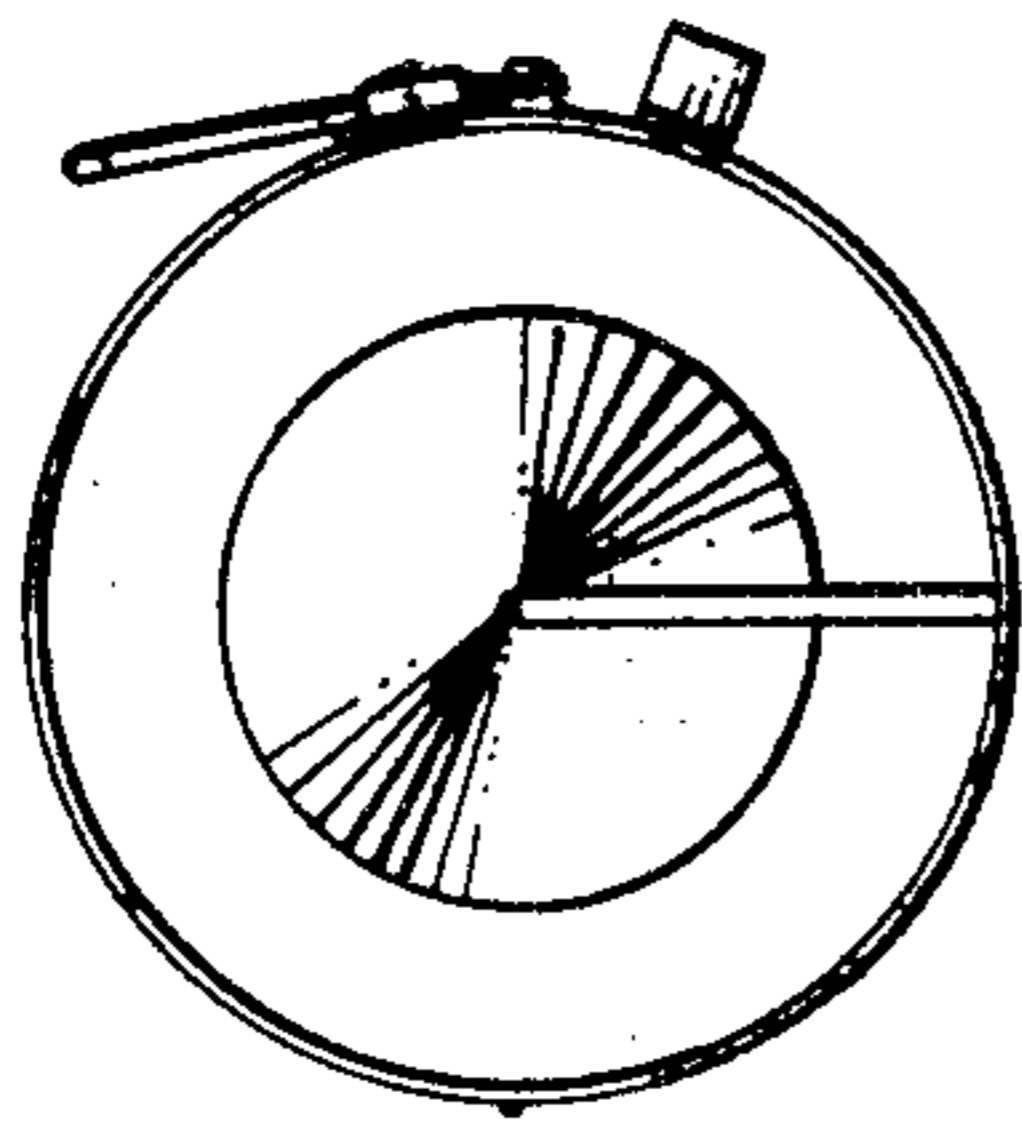


FIG. 7

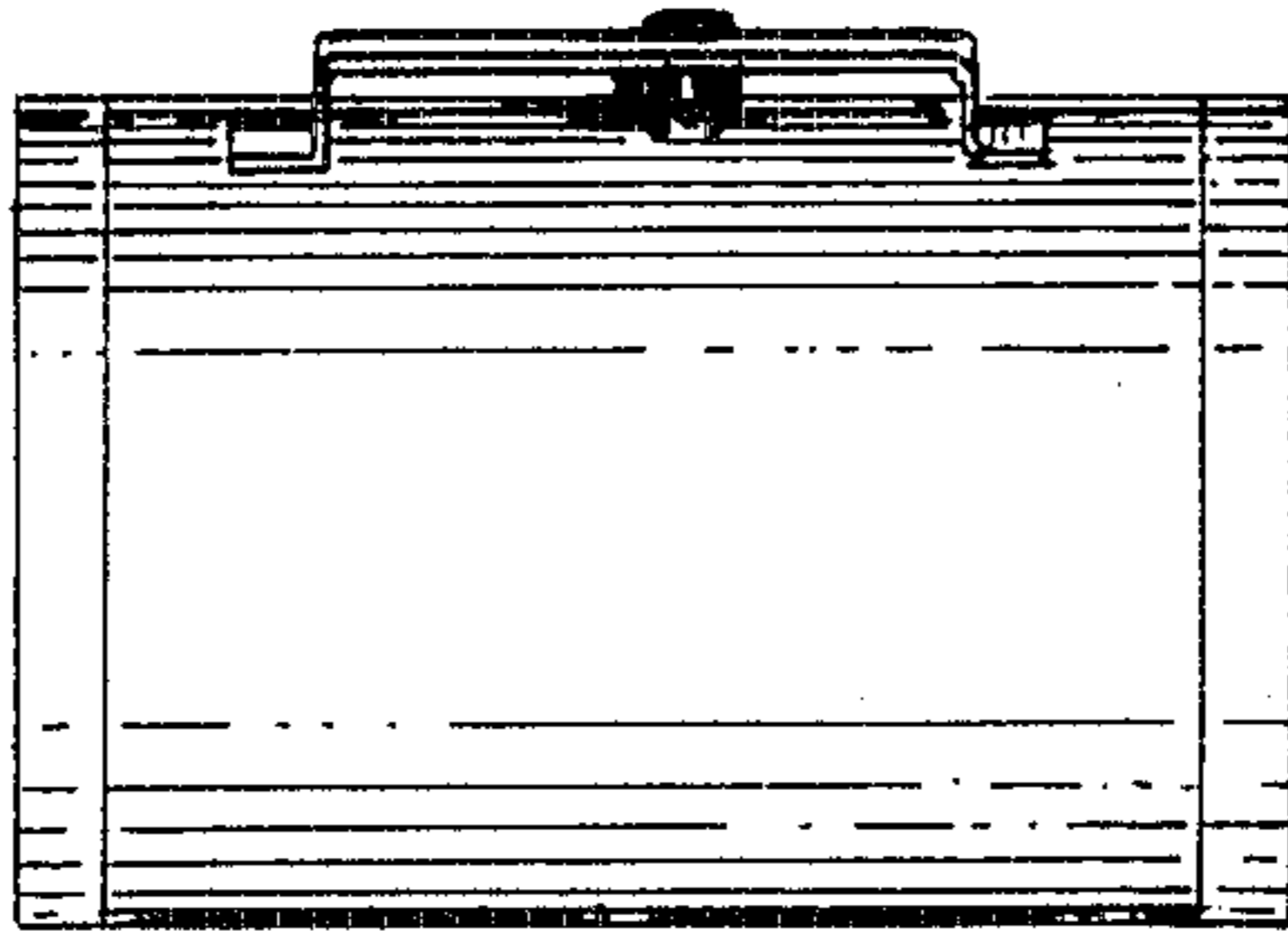


FIG. 1

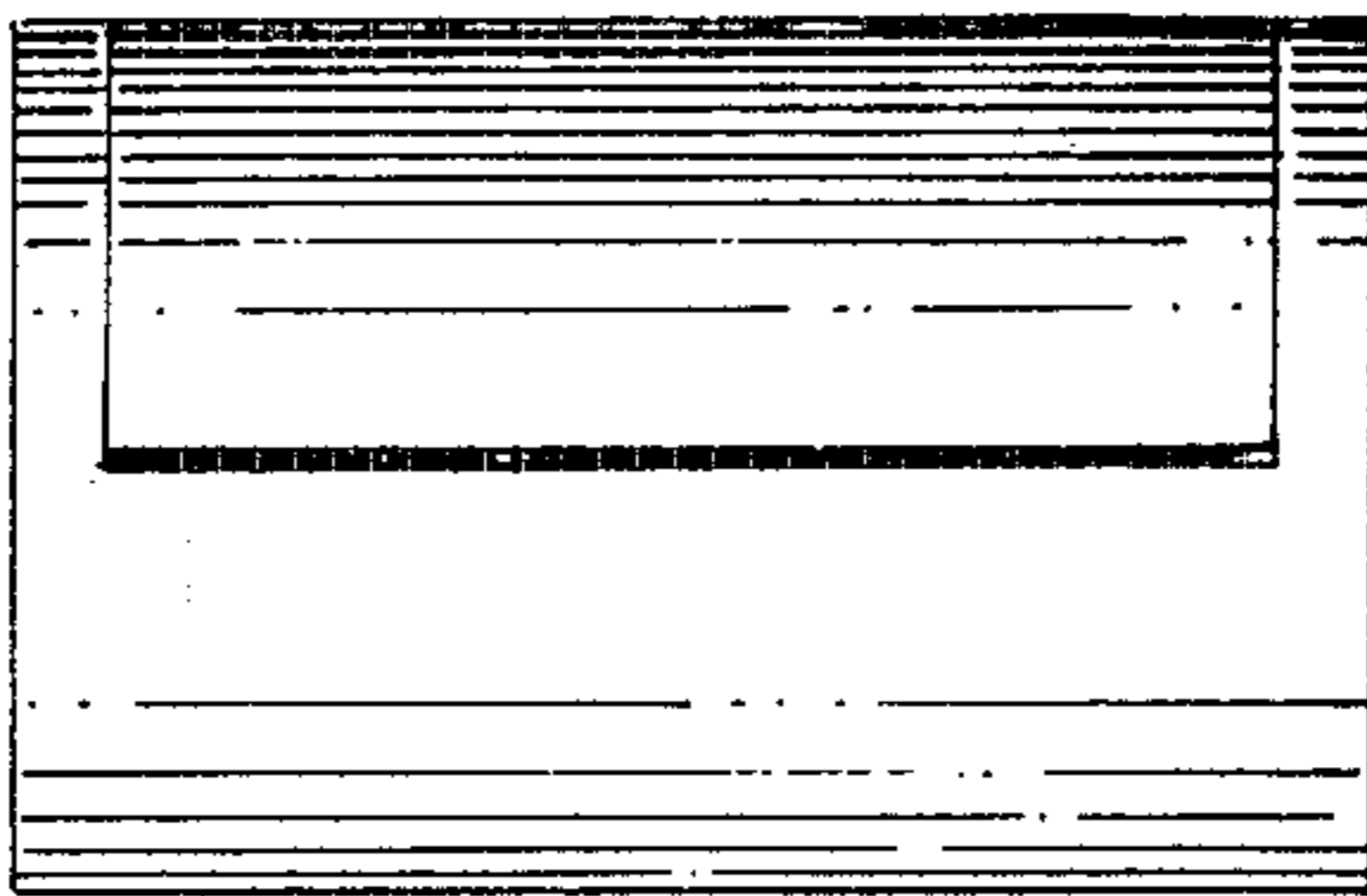


FIG. 3

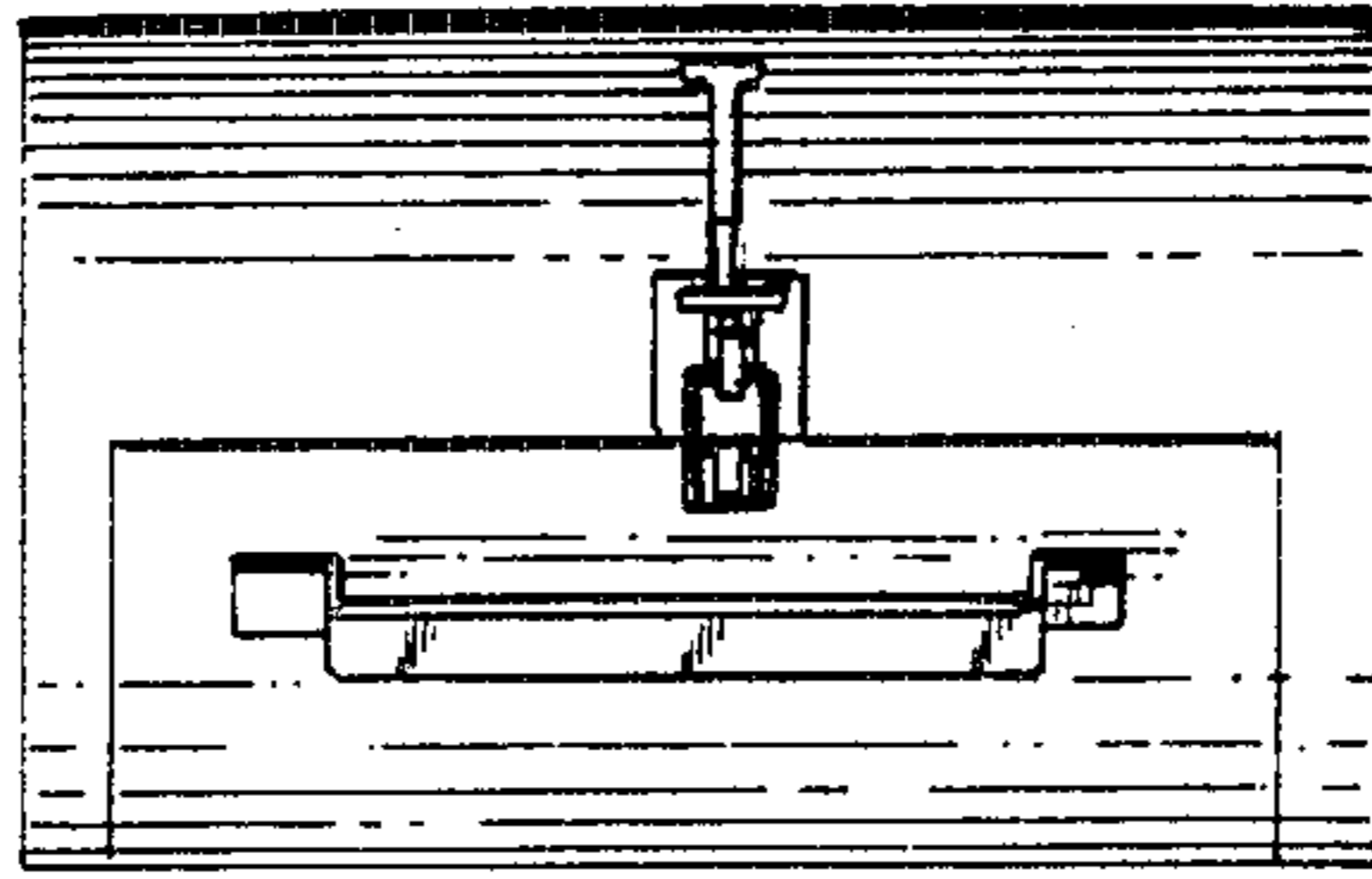


FIG. 4

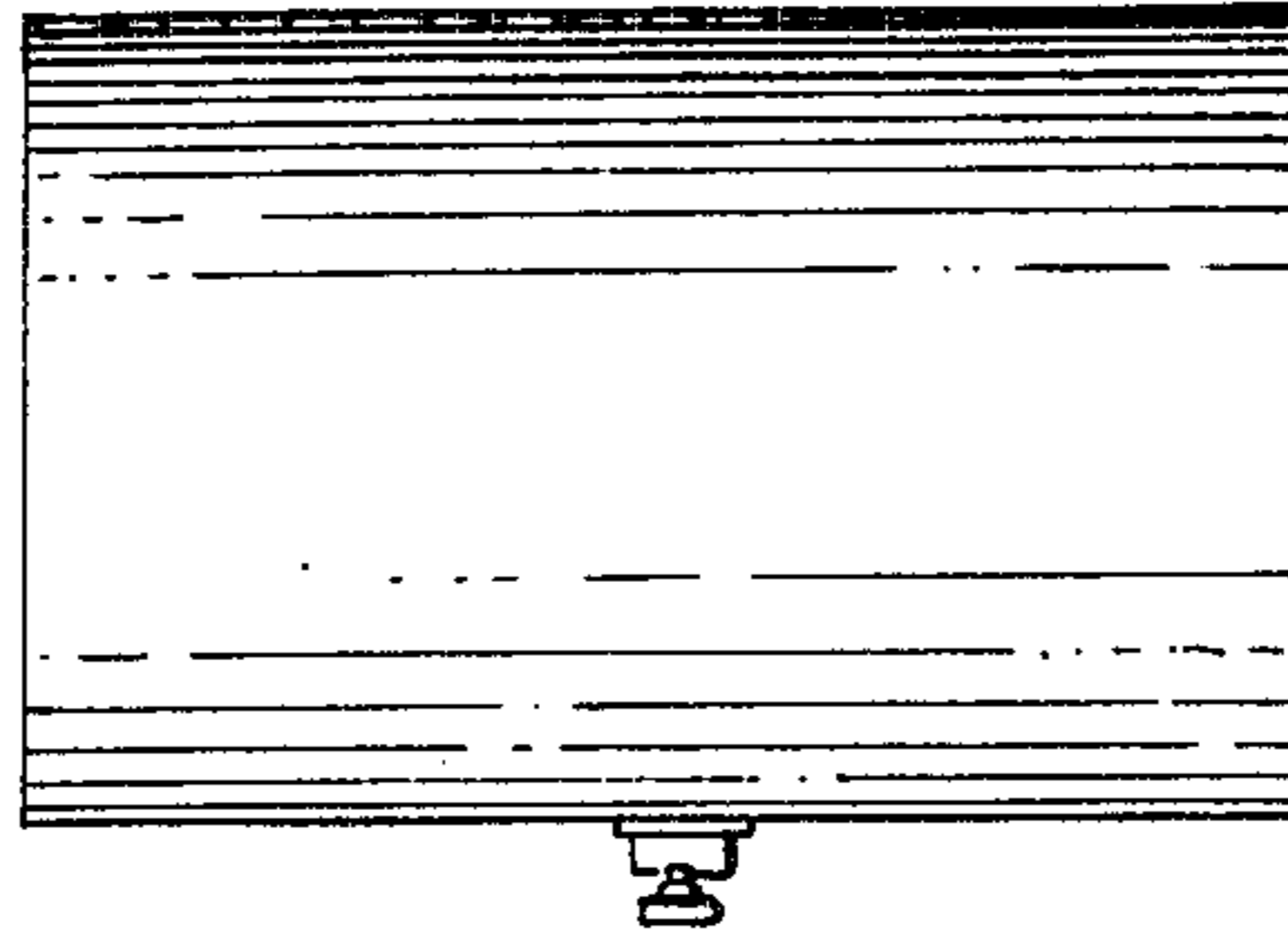


FIG. 2

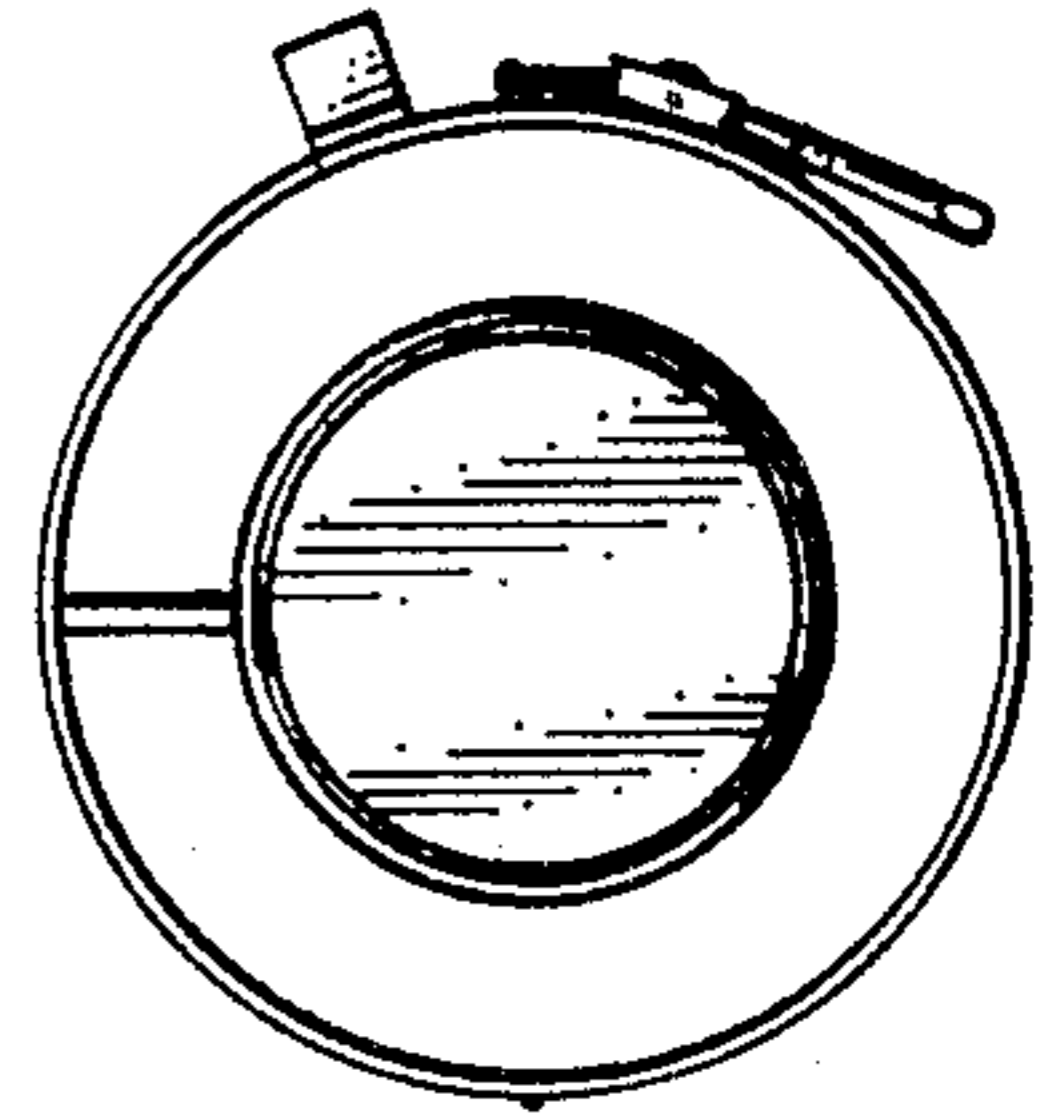


FIG. 8

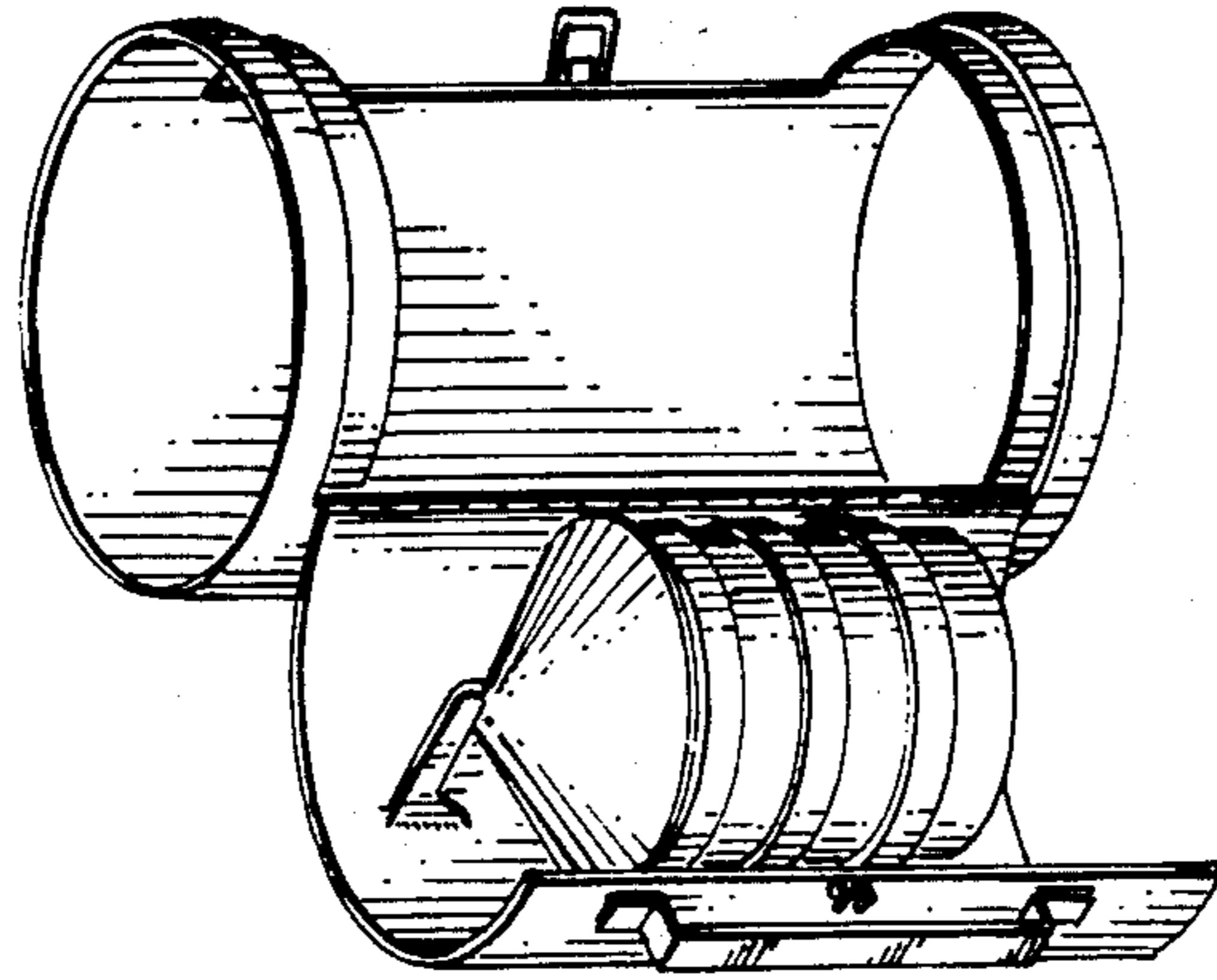


FIG. 9

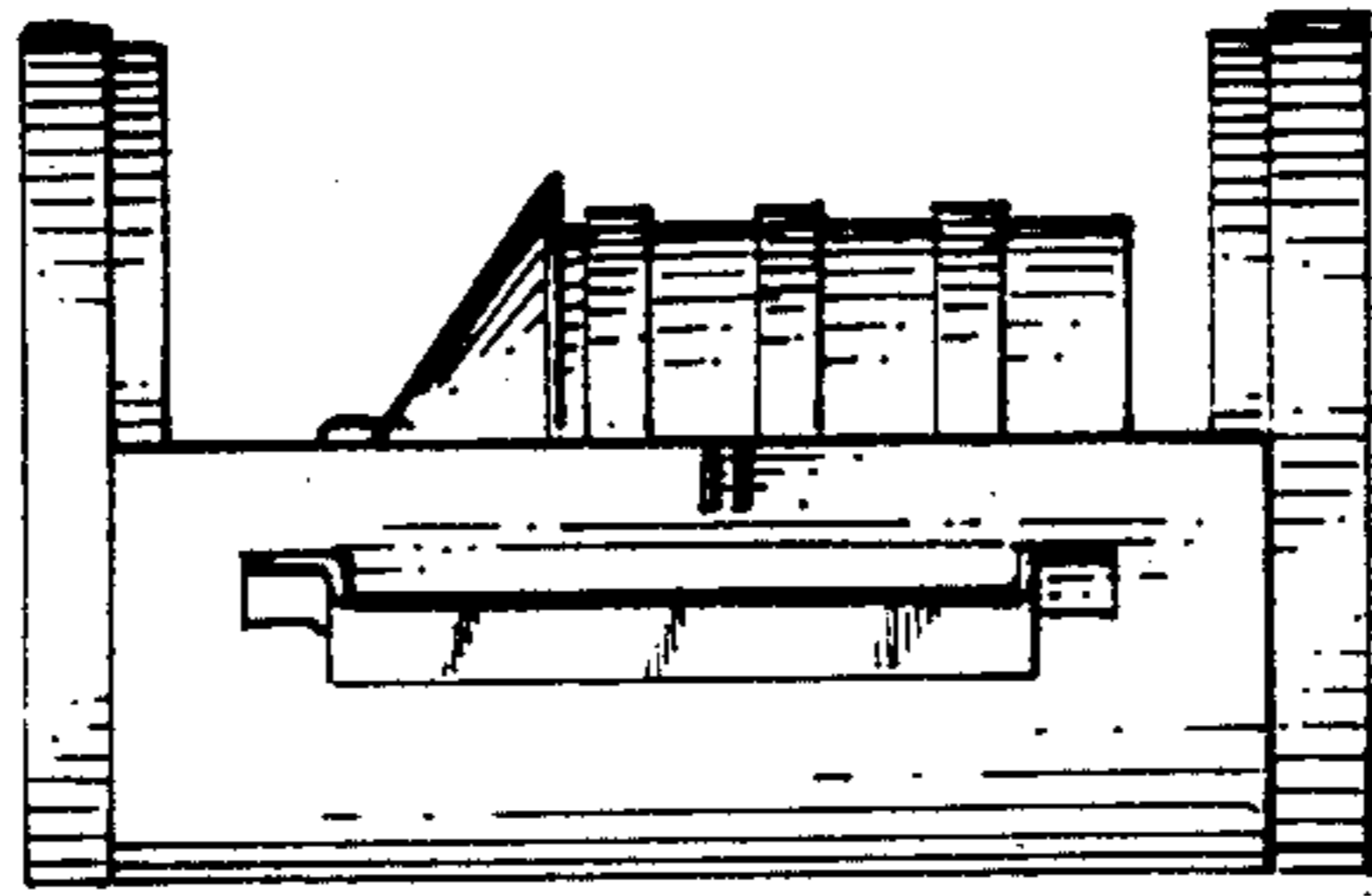


FIG. 6

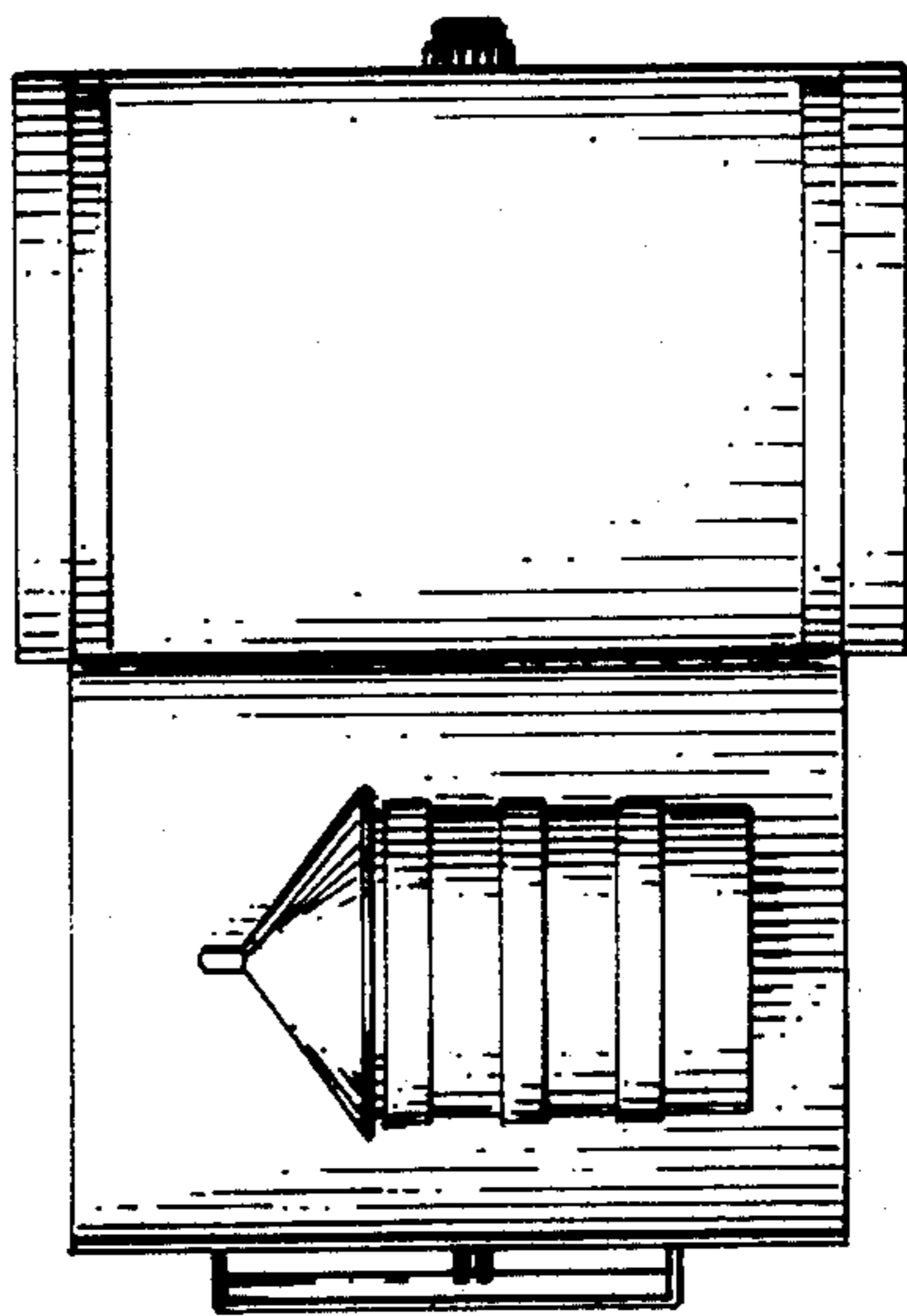


FIG. 5