

[54] **COOLANT FILTER.**

[76] **Inventor: Robert T. Wysolmierski, P.O. Box 228, Brookline, N.H. 03033**

[**] **Term: 14 Years**

[21] **Appl. No.: 633,036**

[22] **Filed: Jul. 20, 1984**

[52] **U.S. Cl. D15/147; D23/3**

[58] **Field of Search D23/1-4; D15/147;.55/159, 219, 337; 210/94, 198.1, 203-205, 222, 244-245, 257.1, 282-288, 242.1, 294-295, 348, 353-355, 416.1-416.5, 444-449, 685, 754; 137/268; 261/83-84, 90; 202/83**

[56] **References Cited**

U.S. PATENT DOCUMENTS

D. 30,745	5/1899	Taussig	D23/1
D. 253,422	11/1979	Smith	D23/4
4,137,169	1/1979	El-Hindi	210/416.1 X
4,323,429	4/1982	Hoover	202/83

Primary Examiner—B. J. Bullock
Assistant Examiner—Brian N. Vinson
Attorney, Agent, or Firm—Hayes, Davis & Soloway

[57] **CLAIM**

The ornamental design for a coolant filter, as shown and described.

DESCRIPTION

FIG. 1 is a top perspective view of a coolant filter showing my new design;

FIG. 2 is a front elevational view thereof, the rear being identical in appearance;

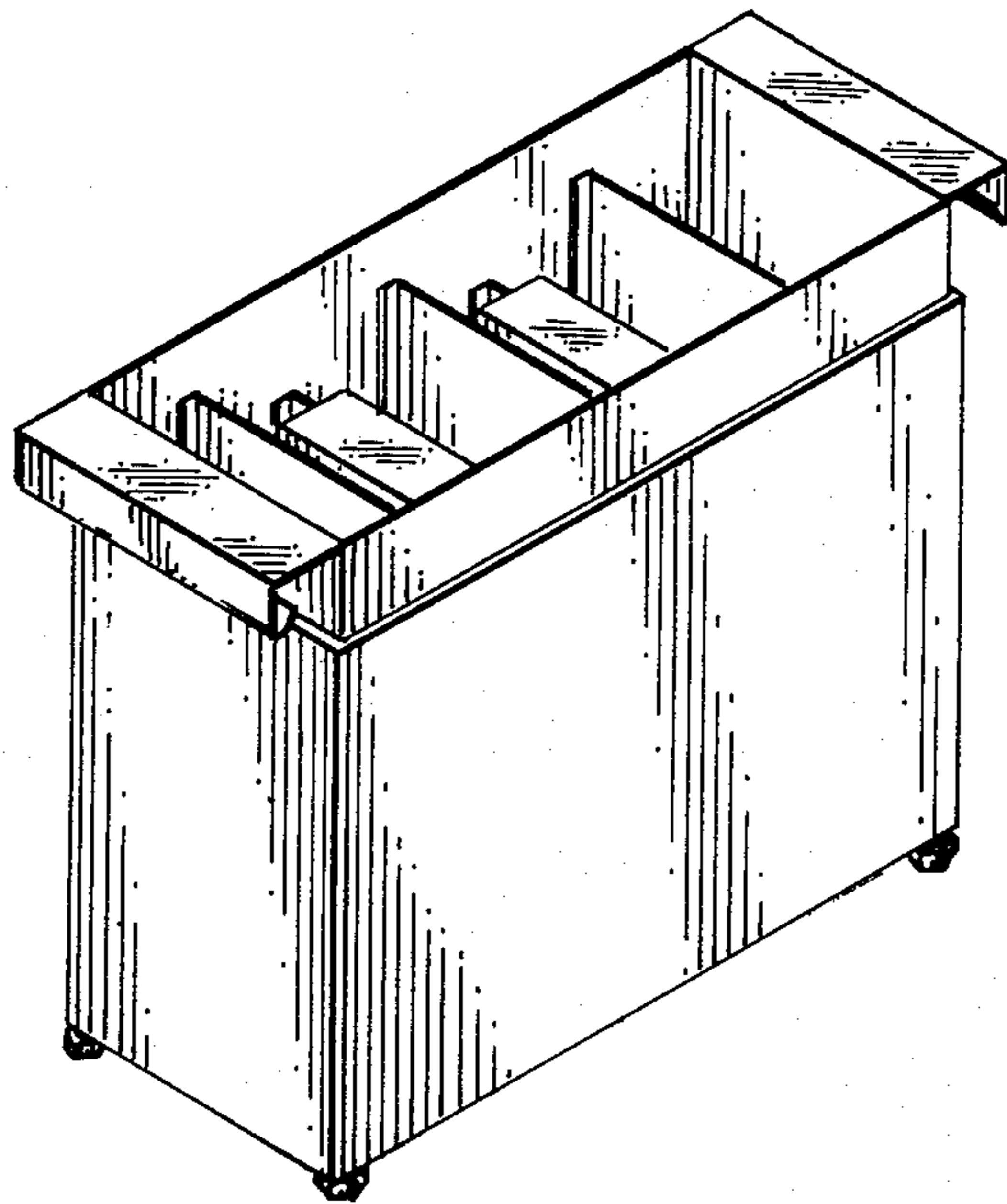
FIG. 3 is a side elevational view thereof, the opposite side being identical in appearance;

FIG. 4 is a top plan view thereof;

FIG. 5 is a bottom plan view thereof;

FIG. 6 is a front elevational view of a second embodiment thereof, the only difference residing in its height; and

FIG. 7 is a top plan view of a third embodiment thereof, the only difference residing in its width.



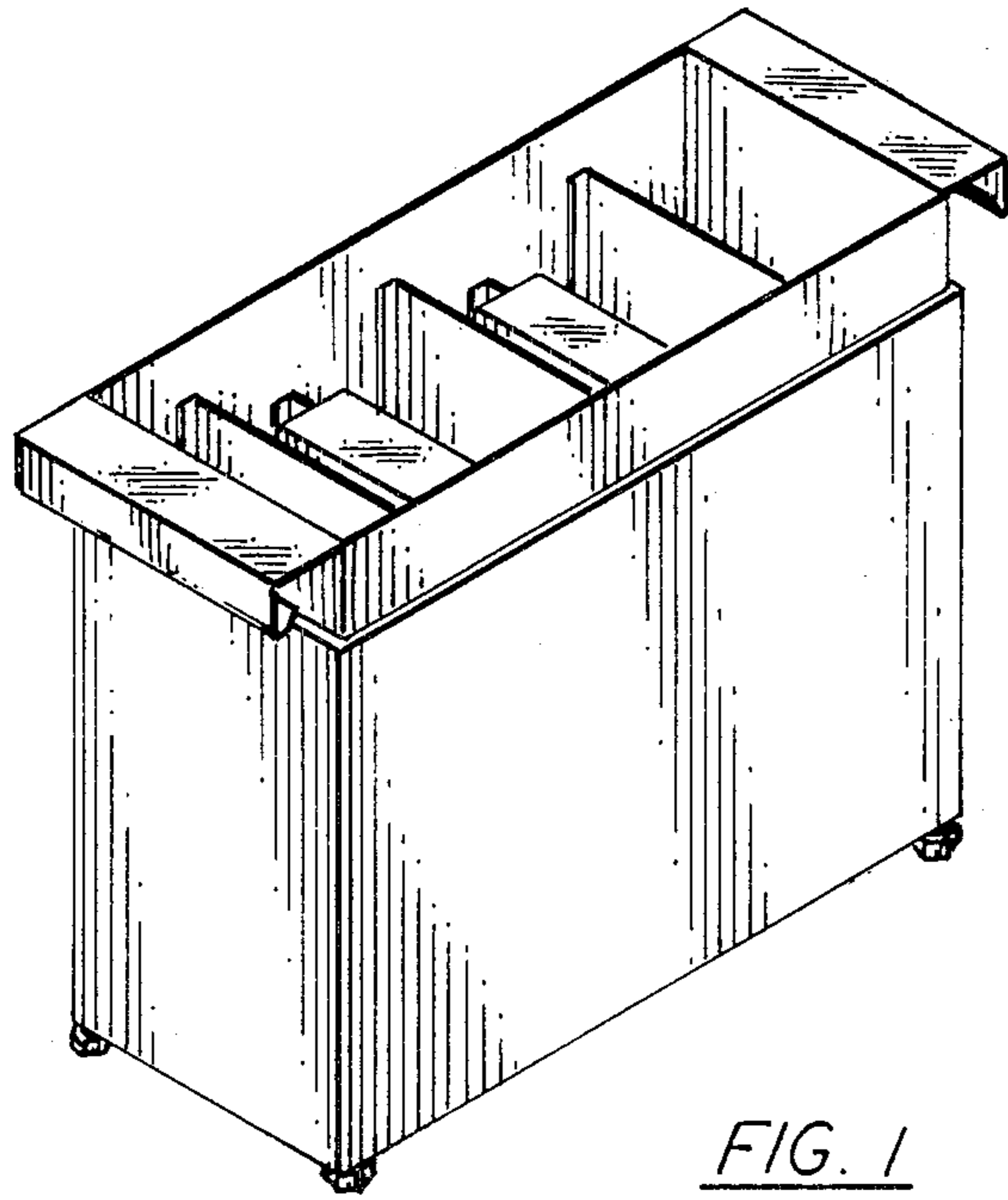


FIG. 1

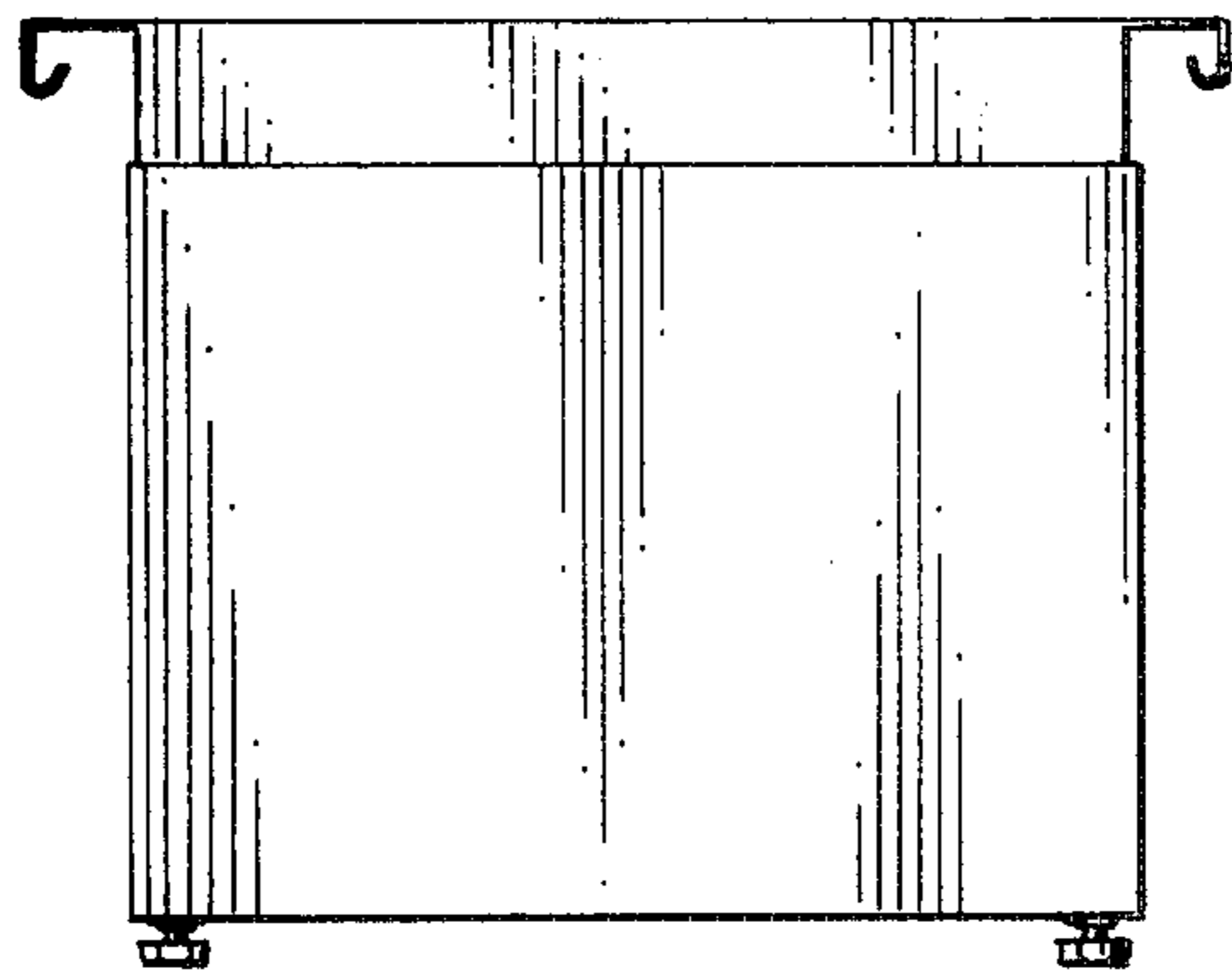


FIG. 2

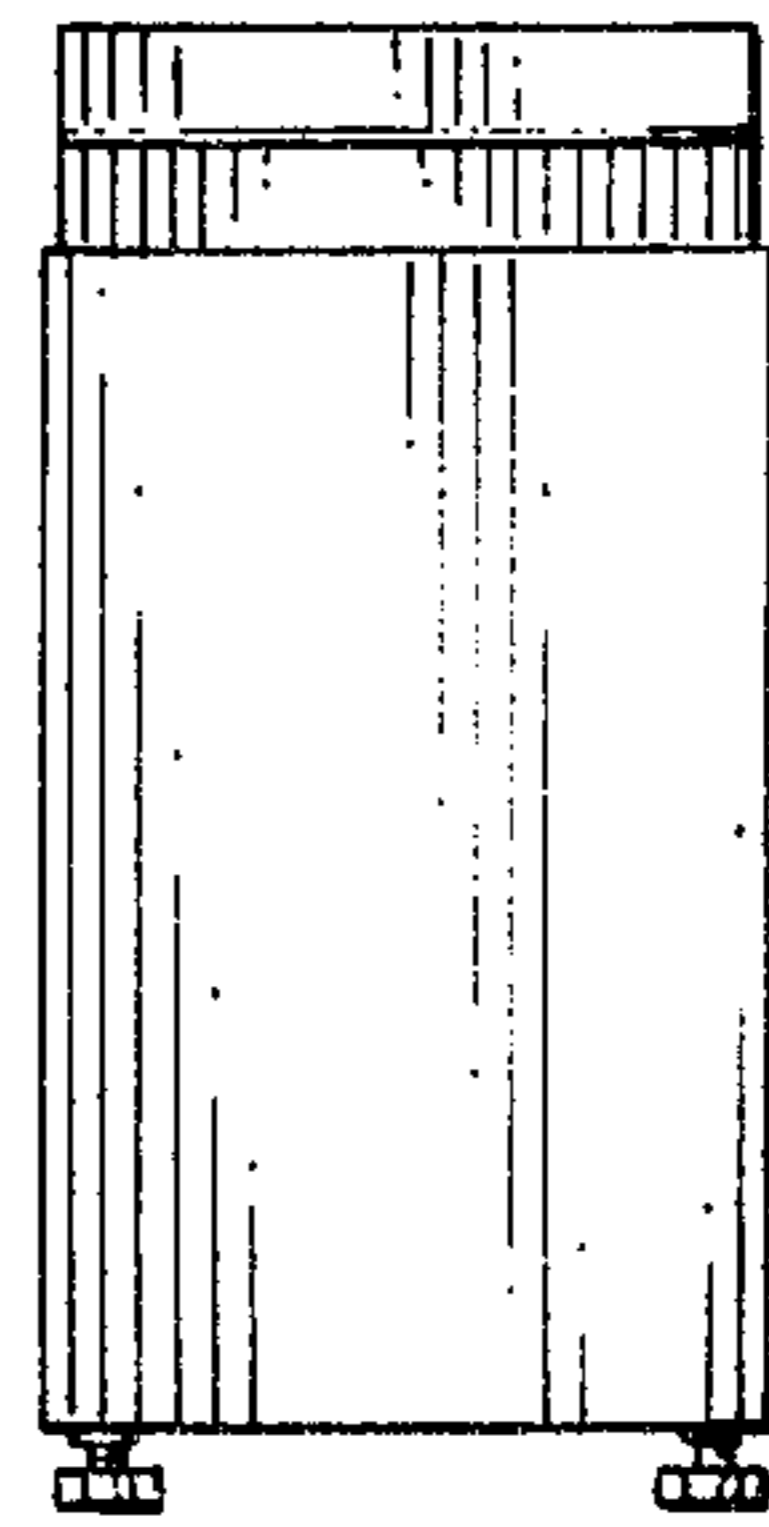


FIG. 3

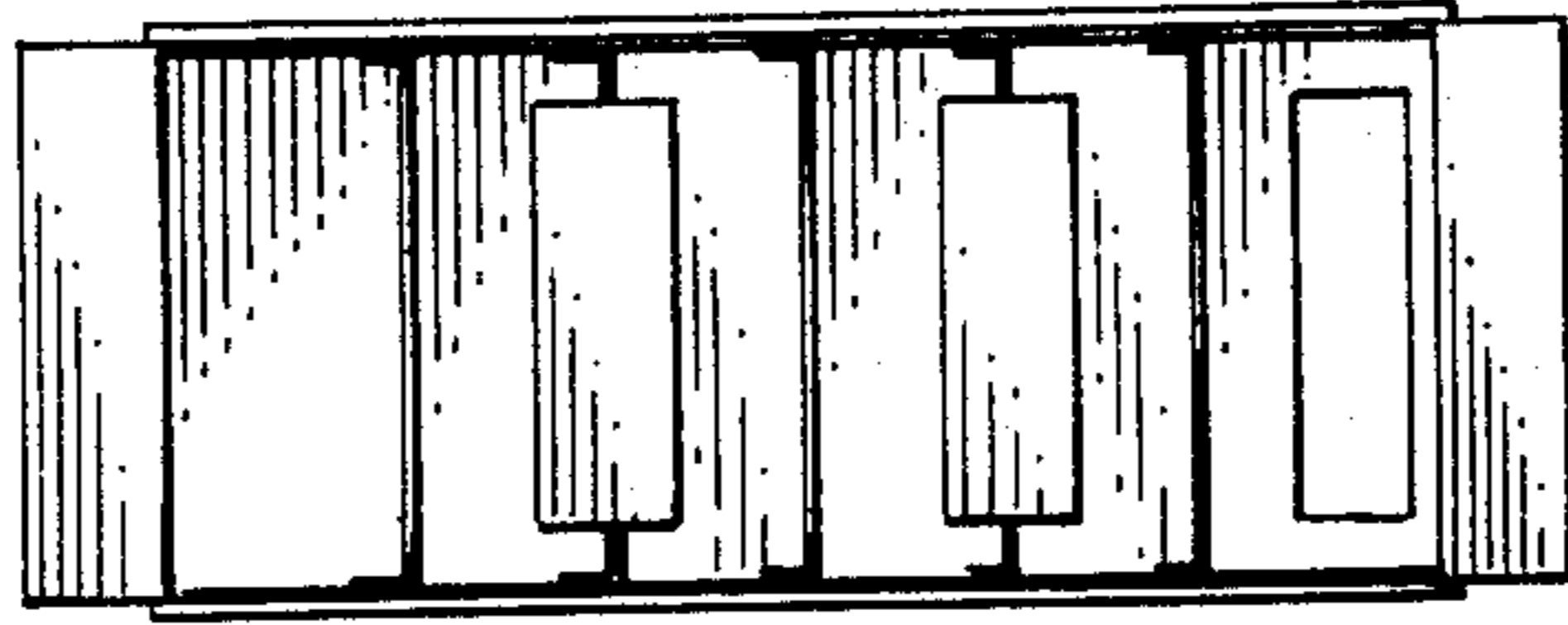


FIG. 4

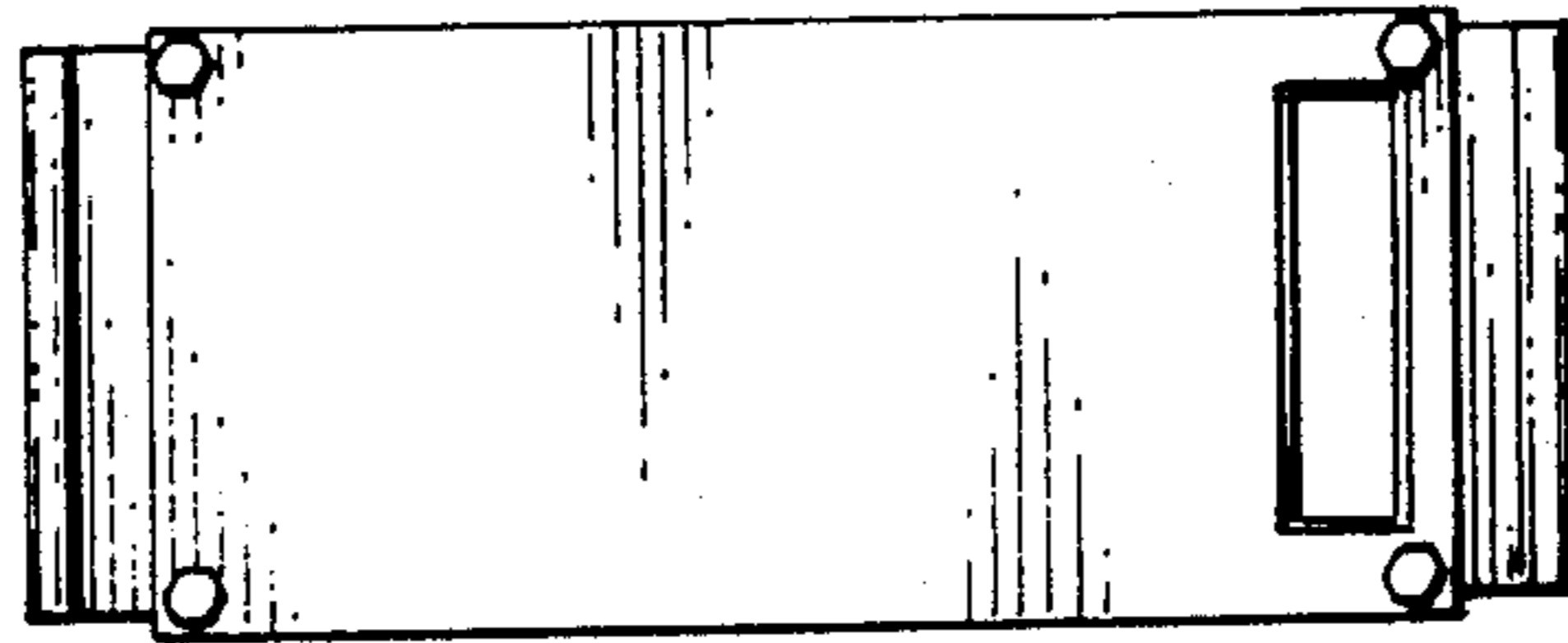


FIG. 5

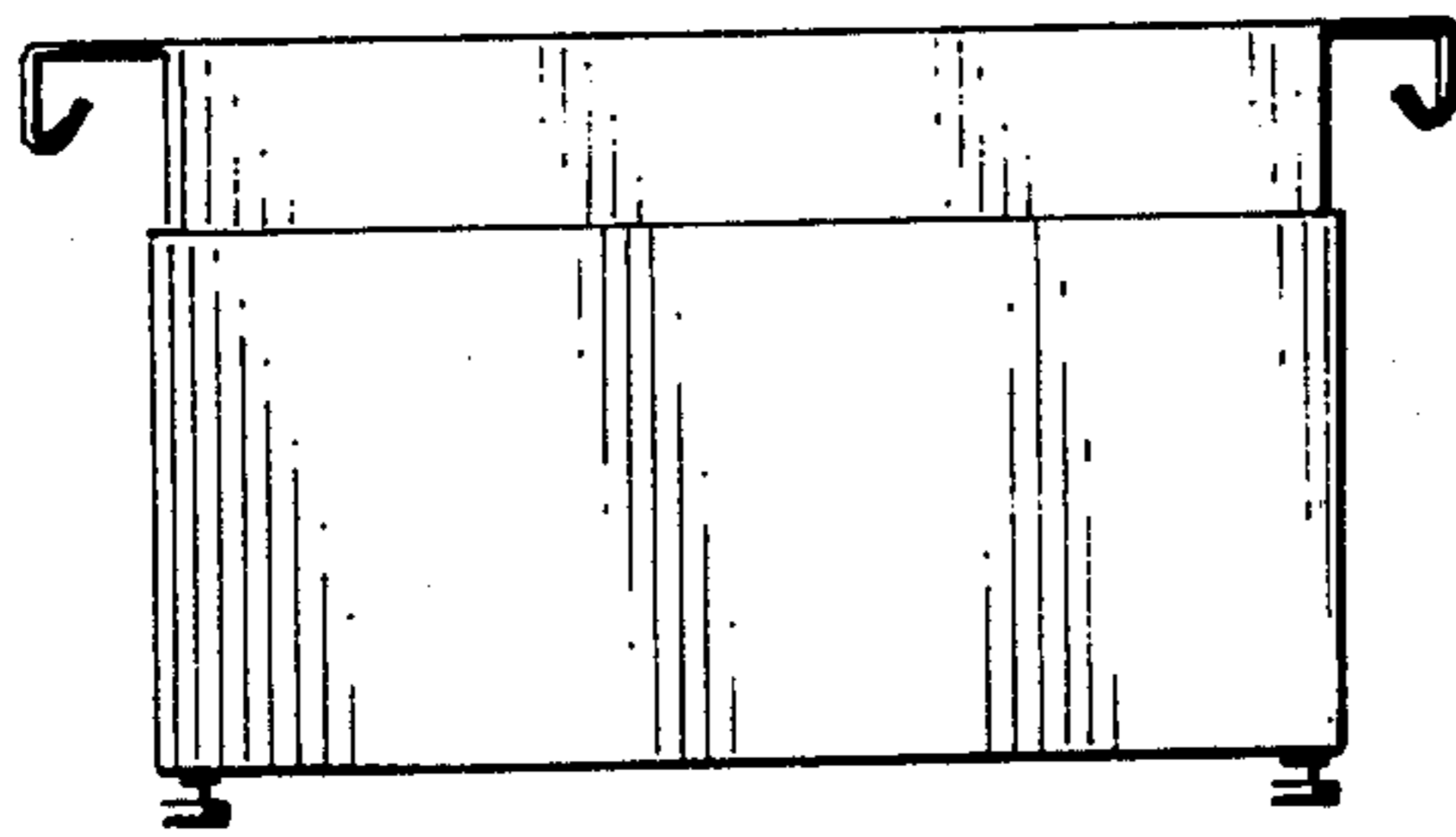


FIG. 6

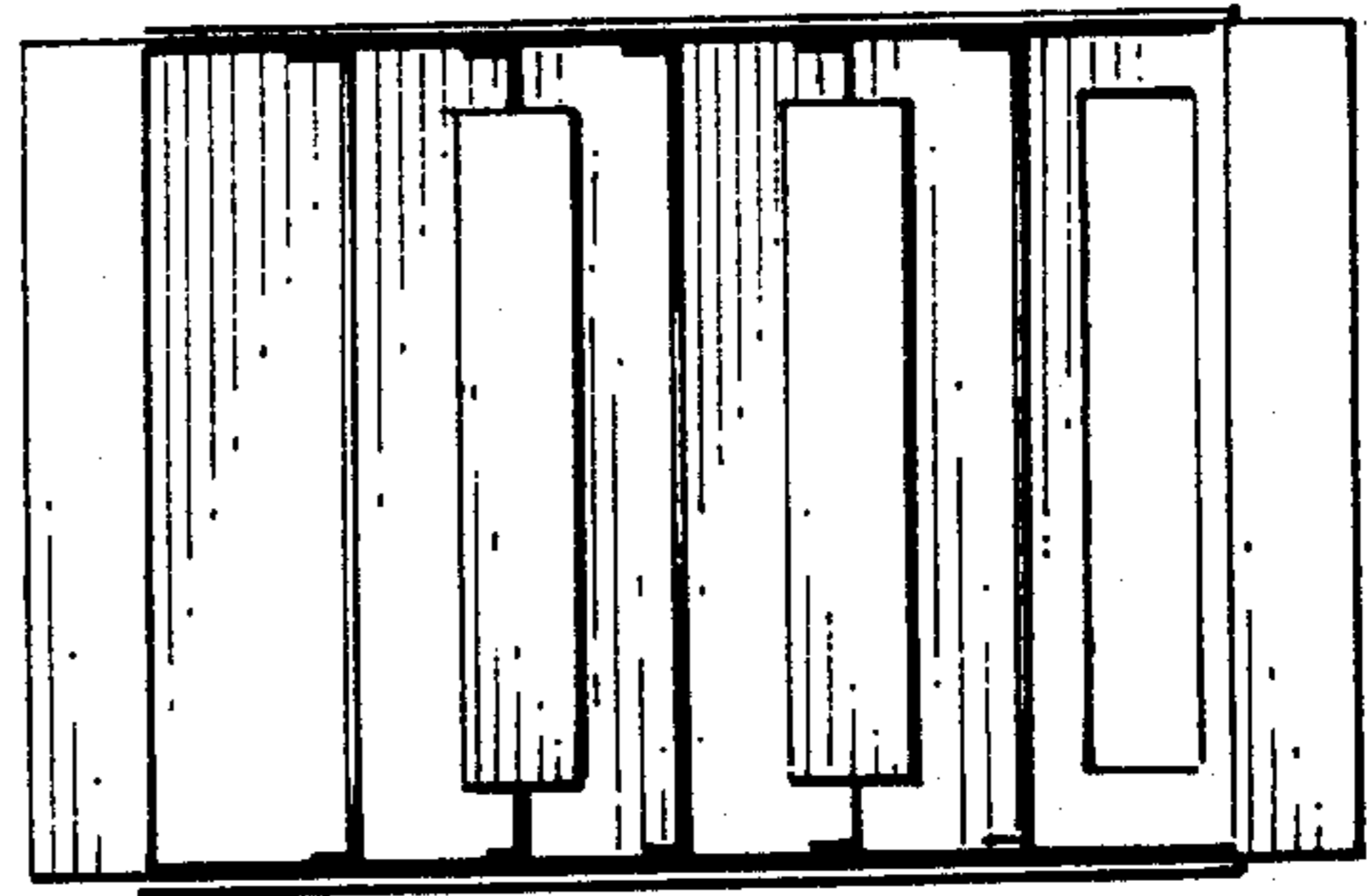


FIG. 7