

[54] **SEWING MACHINE**
[75] **Inventor: Masatomo Amemiya, Hachioji, Japan**
[73] **Assignee: Janome Sewing Machine Co., Ltd., Tokyo, Japan**
[**] **Term: 14 Years**
[21] **Appl. No.: 584,094**
[22] **Filed: Feb. 27, 1984**
[52] **U.S. Cl. D15/69**
[58] **Field of Search D15/70, 69; 112/63, 112/258-261**

3,570,432 3/1971 Fresard 112/258
4,220,103 9/1980 Kasahara et al. 112/260
4,314,517 2/1982 Kasahara et al. 112/260

Primary Examiner—Bernard Ansher
Assistant Examiner—Linda Titolo
Attorney, Agent, or Firm—Michael J. Striker

[57] **CLAIM**

The ornamental design for a sewing machine, as shown and described.

DESCRIPTION

FIG. 1 is a front elevational view of a sewing machine, showing my new design;
FIG. 2 is a rear elevational view thereof;
FIG. 3 is a top plan view thereof;
FIG. 4 is a bottom plan view thereof;
FIG. 5 is a left side elevational view thereof;
FIG. 6 is a right side elevational view thereof; and
FIG. 7 is a front perspective view thereof.

[56] **References Cited**

U.S. PATENT DOCUMENTS

D. 223,866 6/1972 Yamamoto D15/69
D. 274,435 6/1984 Hanyu et al. D15/69 X
3,066,627 12/1962 Schlosser et al. 112/260

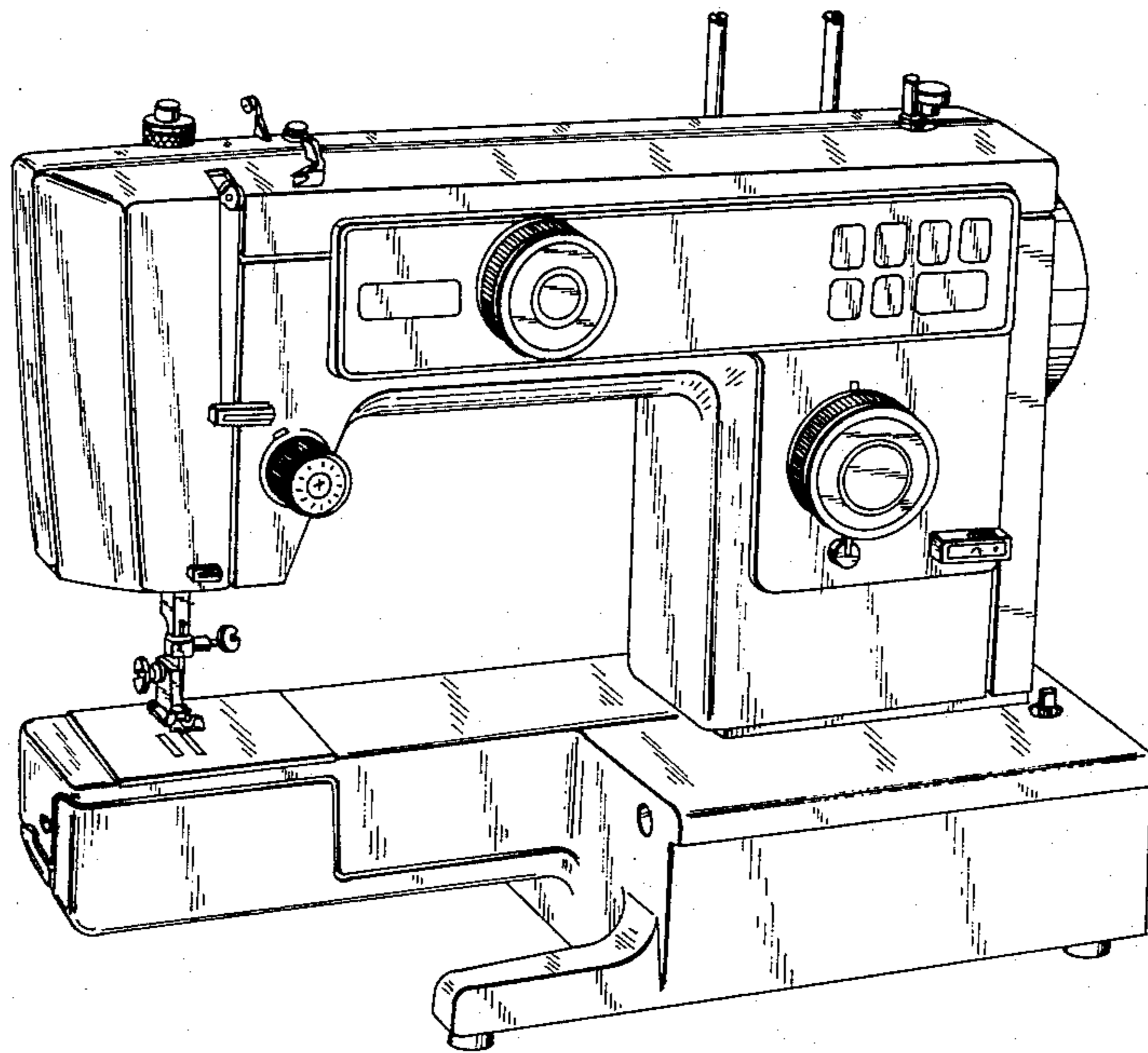


FIG. 1

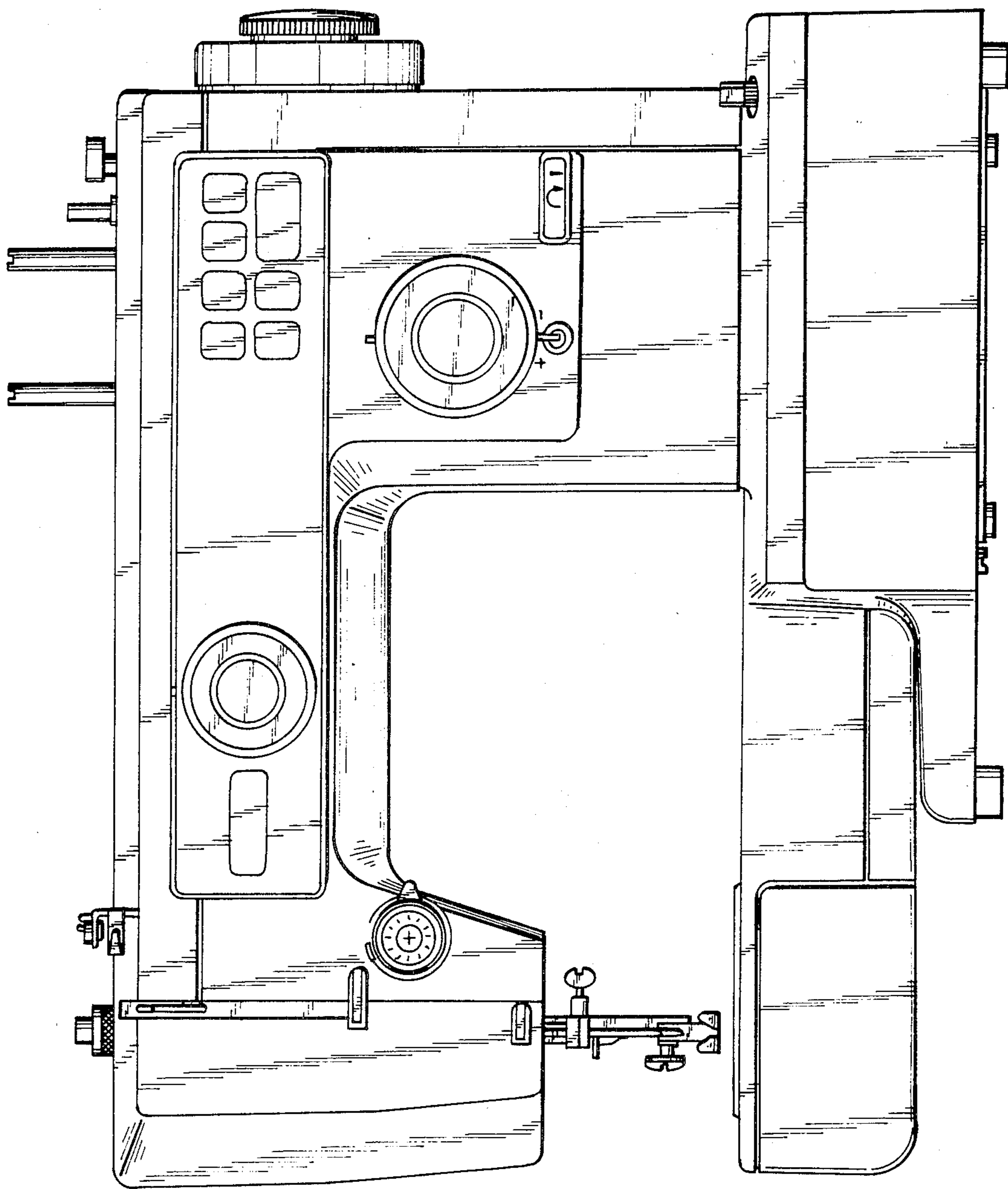


FIG. 2

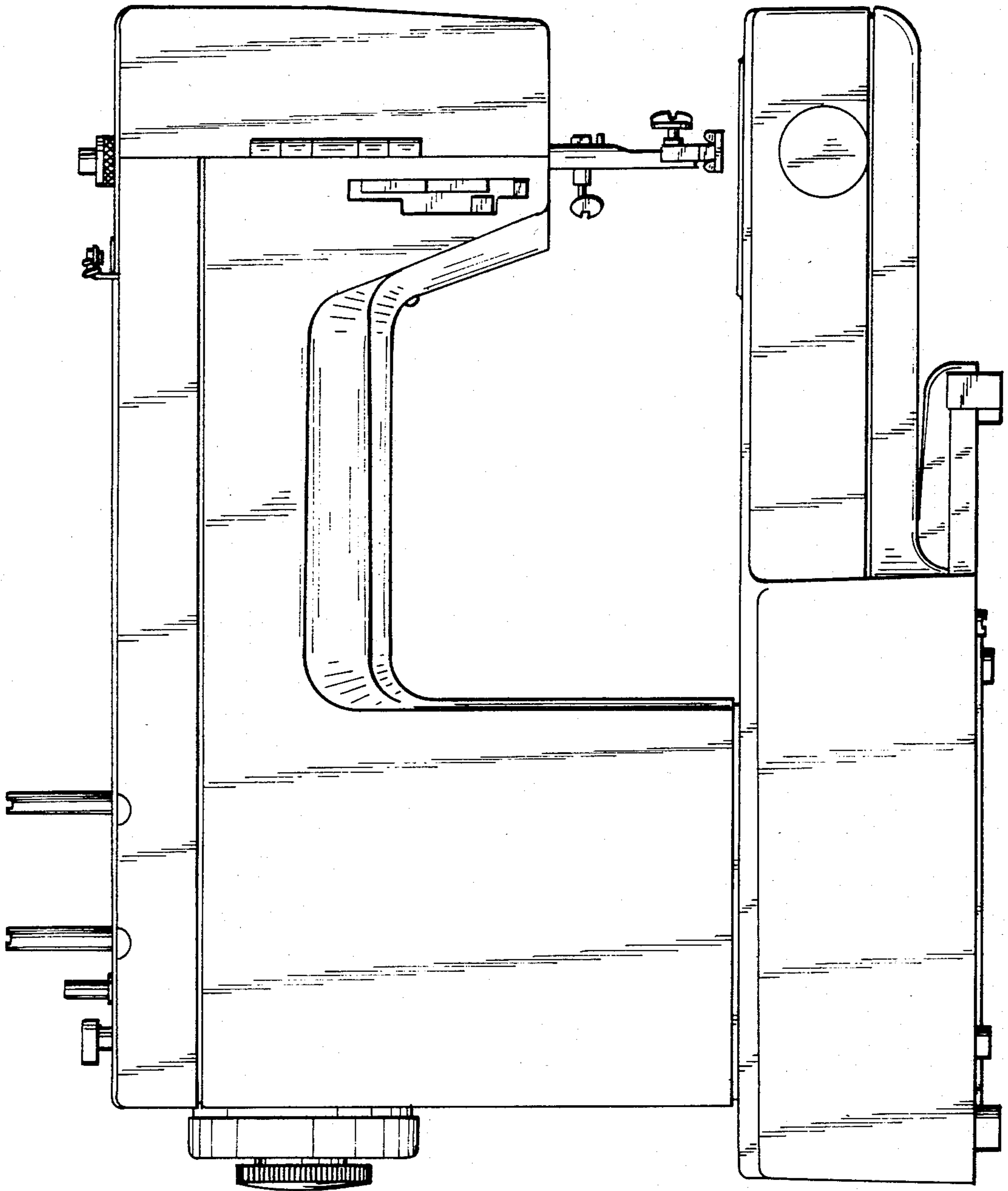


FIG. 3

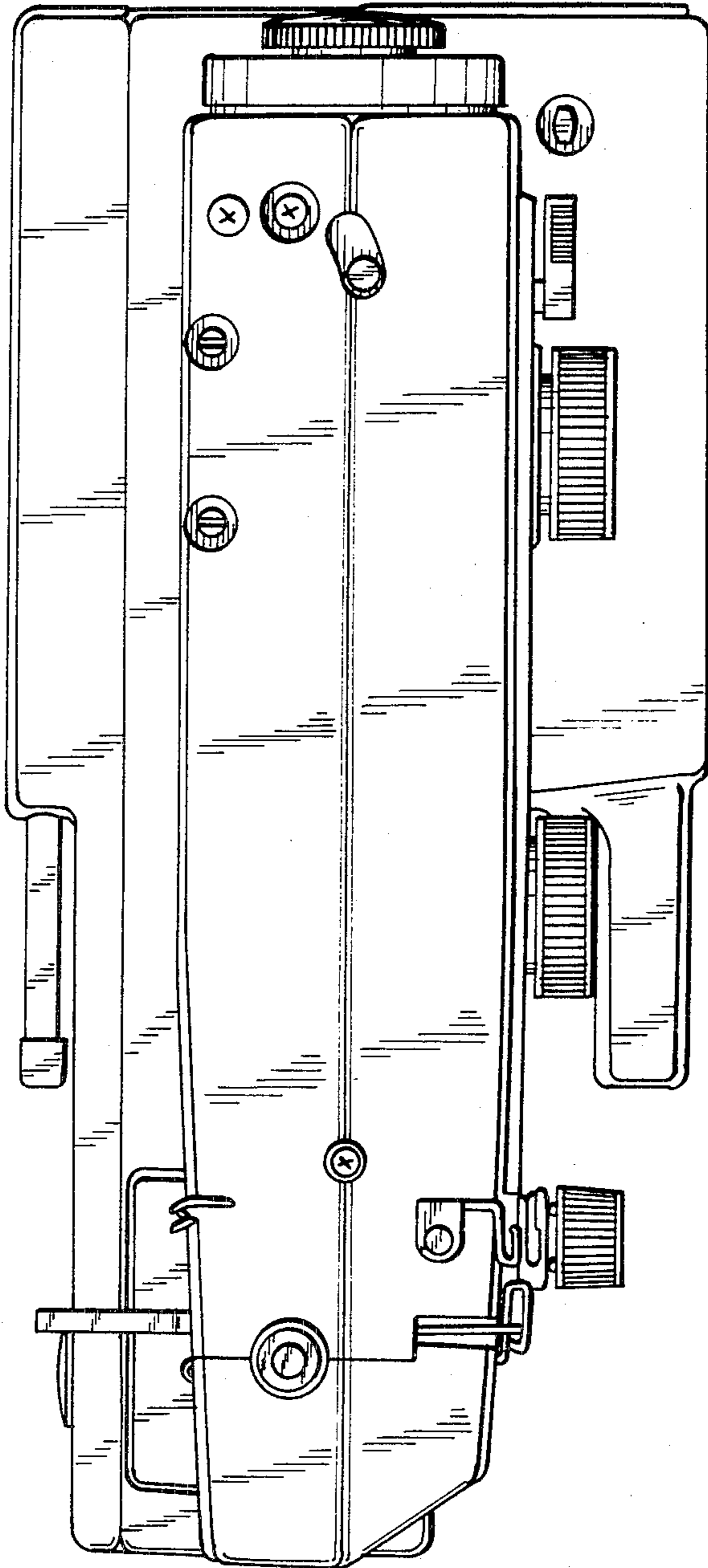


FIG. 4

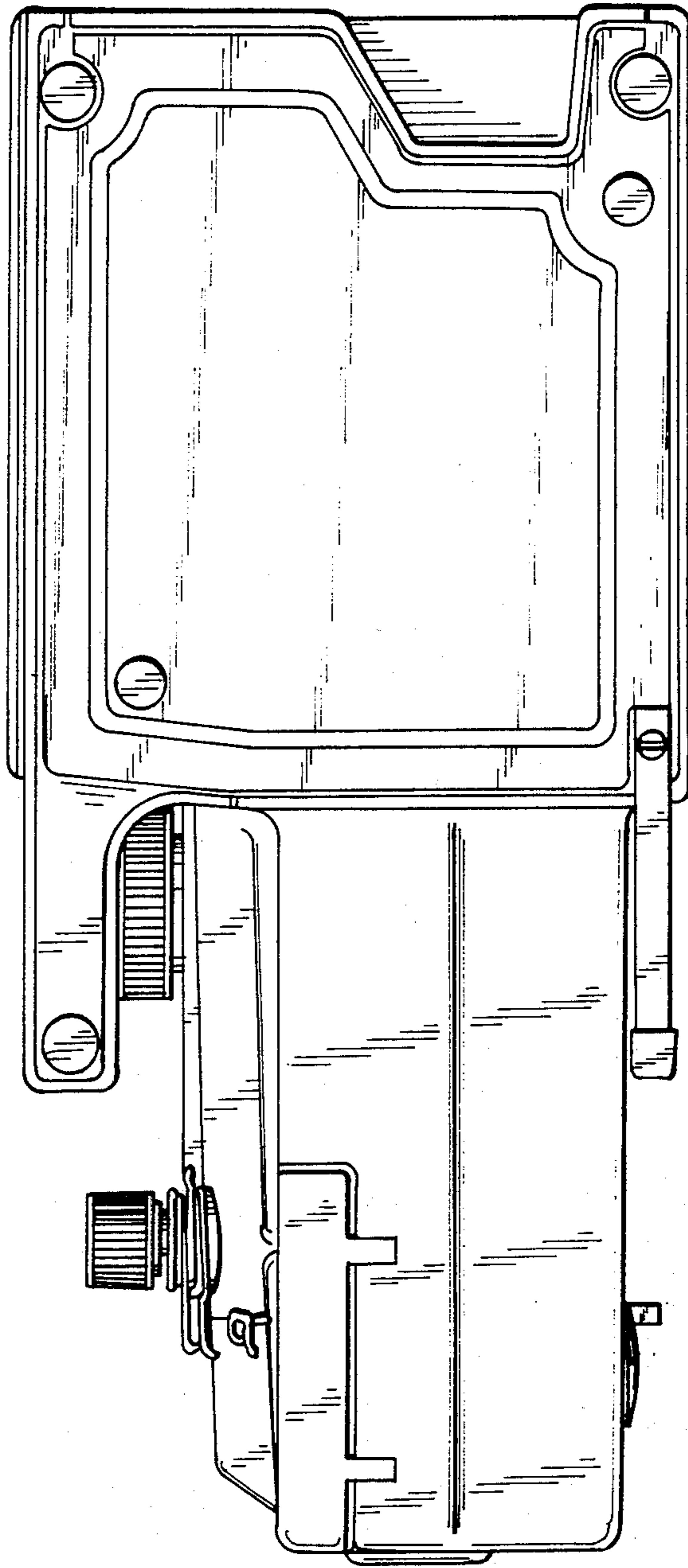


FIG. 5

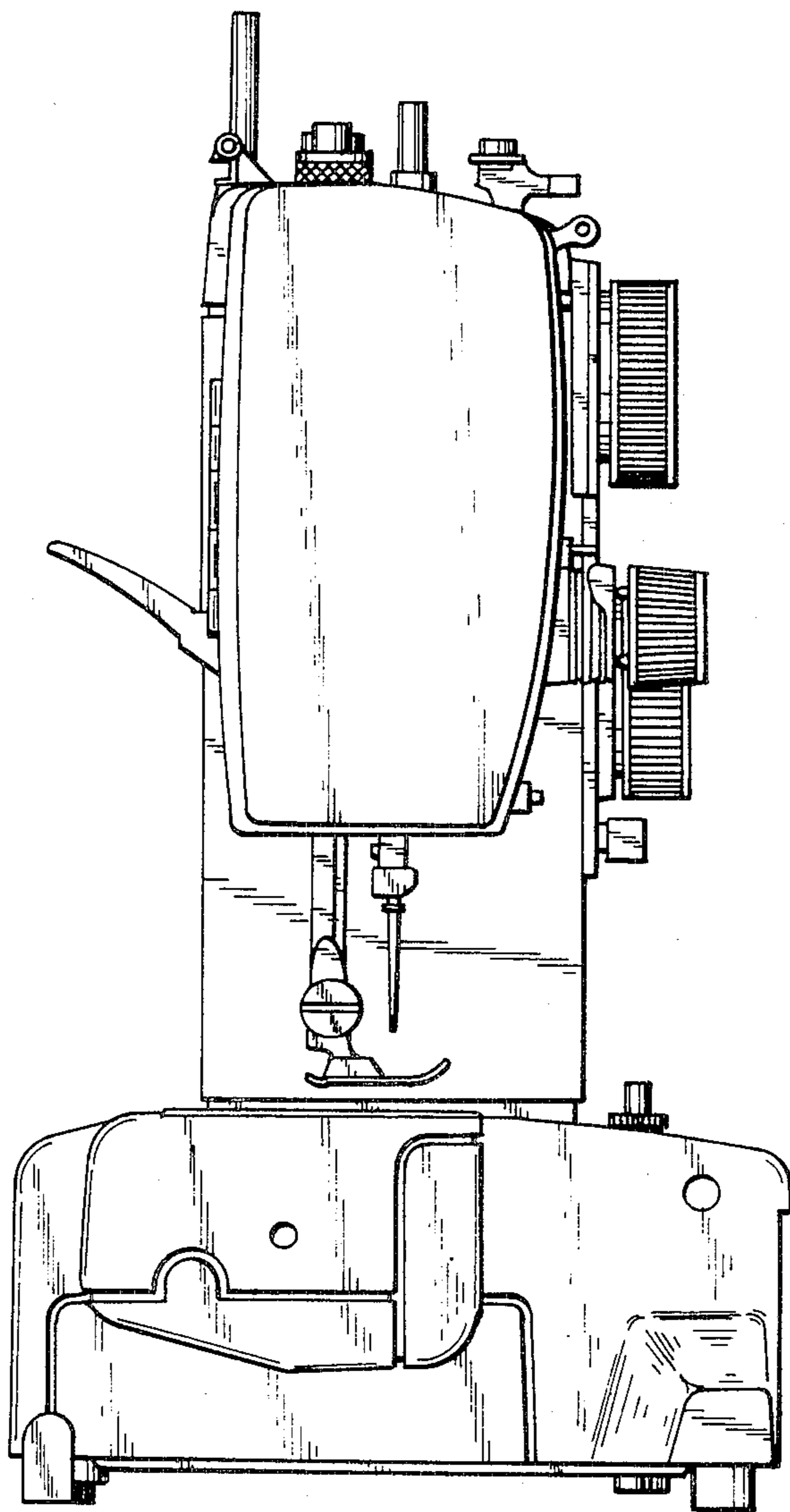
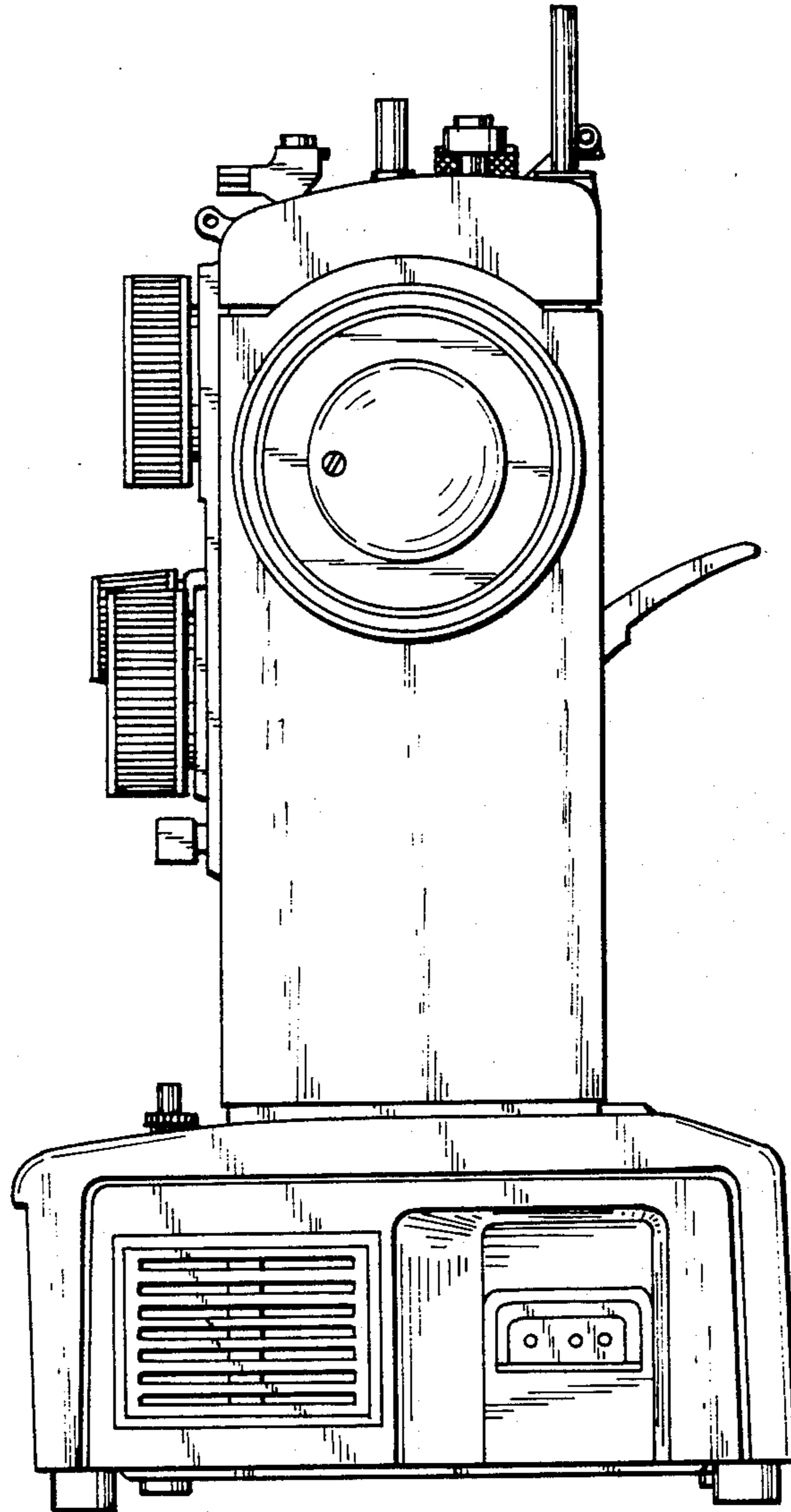


FIG. 6



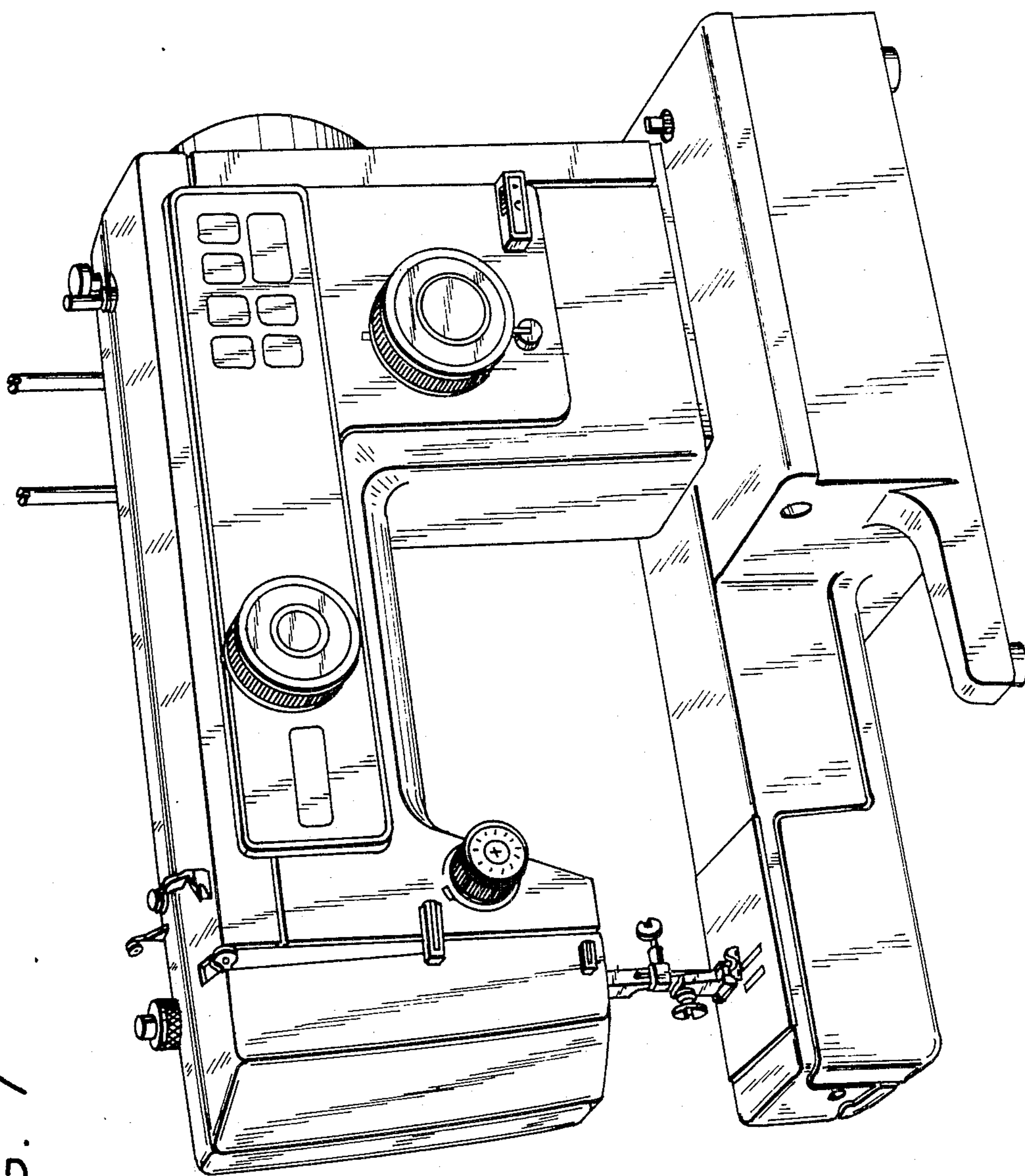


FIG. 7