

# United States Patent [19]

Uchida et al.

[11] Patent Number: **Des. 288,690**

[45] Date of Patent: **\*\* Mar. 10, 1987**

[54] SEWING MACHINE

[75] Inventors: **Koji Uchida, Hachioji; Nobufusa Kuroki, Machida, both of Japan**

[73] Assignee: **Janome Sewing Machine Co. Ltd., Tokyo, Japan**

[\*\*] Term: **14 Years**

[21] Appl. No.: **579,857**

[22] Filed: **Feb. 13, 1984**

[30] Foreign Application Priority Data

Dec. 27, 1983 [JP] Japan ..... 58-55783

[52] U.S. Cl. .... **D15/69; D15/70**

[58] Field of Search ..... **D15/70, 69; 112/63, 112/258-261**

[56] References Cited

### U.S. PATENT DOCUMENTS

D. 253,347 11/1979 Felix ..... D15/70  
D. 280,730 9/1985 Uchida ..... D15/69  
D. 280,826 10/1985 Kuroki ..... D15/69

D. 281,429 11/1985 Kuroki ..... D15/69  
3,858,954 1/1975 Hetterich ..... 112/258 X  
4,040,369 8/1977 Kaito ..... 112/258  
4,044,700 8/1977 Aeschliman ..... 112/258 X  
4,099,474 7/1978 Hamlett et al. .... 112/258

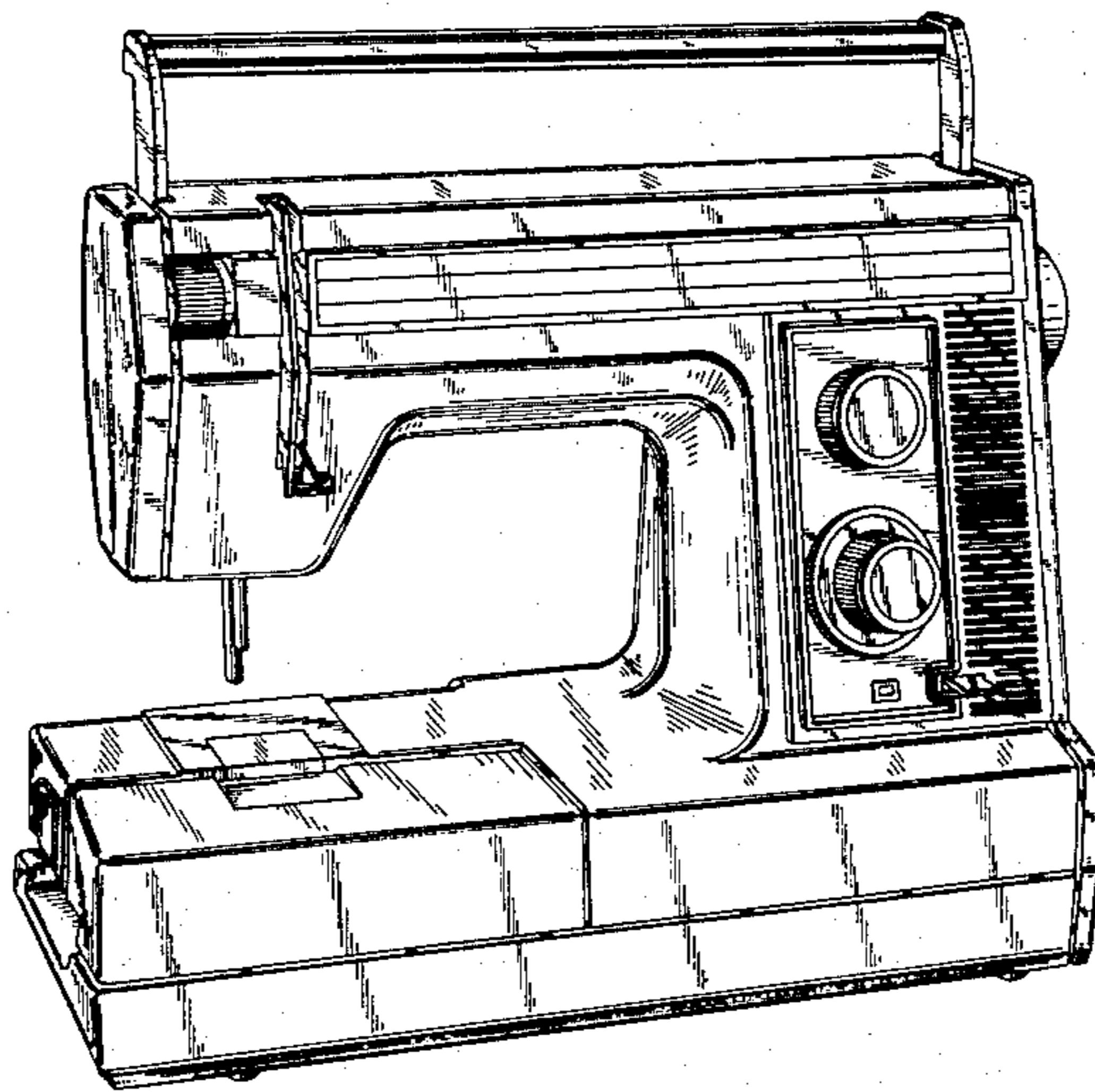
*Primary Examiner*—Charles A. Rademaker  
*Assistant Examiner*—Linda Titolo  
*Attorney, Agent, or Firm*—Michael J. Striker

### [57] CLAIM

The ornamental design for a sewing machine, substantially as shown and described.

### DESCRIPTION

FIG. 1 is a front elevational view of a sewing machine, showing our new design;  
FIG. 2 is a rear elevational view thereof;  
FIG. 3 is a left side elevational view thereof;  
FIG. 4 is a right side elevational view thereof;  
FIG. 5 is a top plan view thereof;  
FIG. 6 is a bottom plan view thereof; and  
FIG. 7 is a top front and left side perspective view thereof.



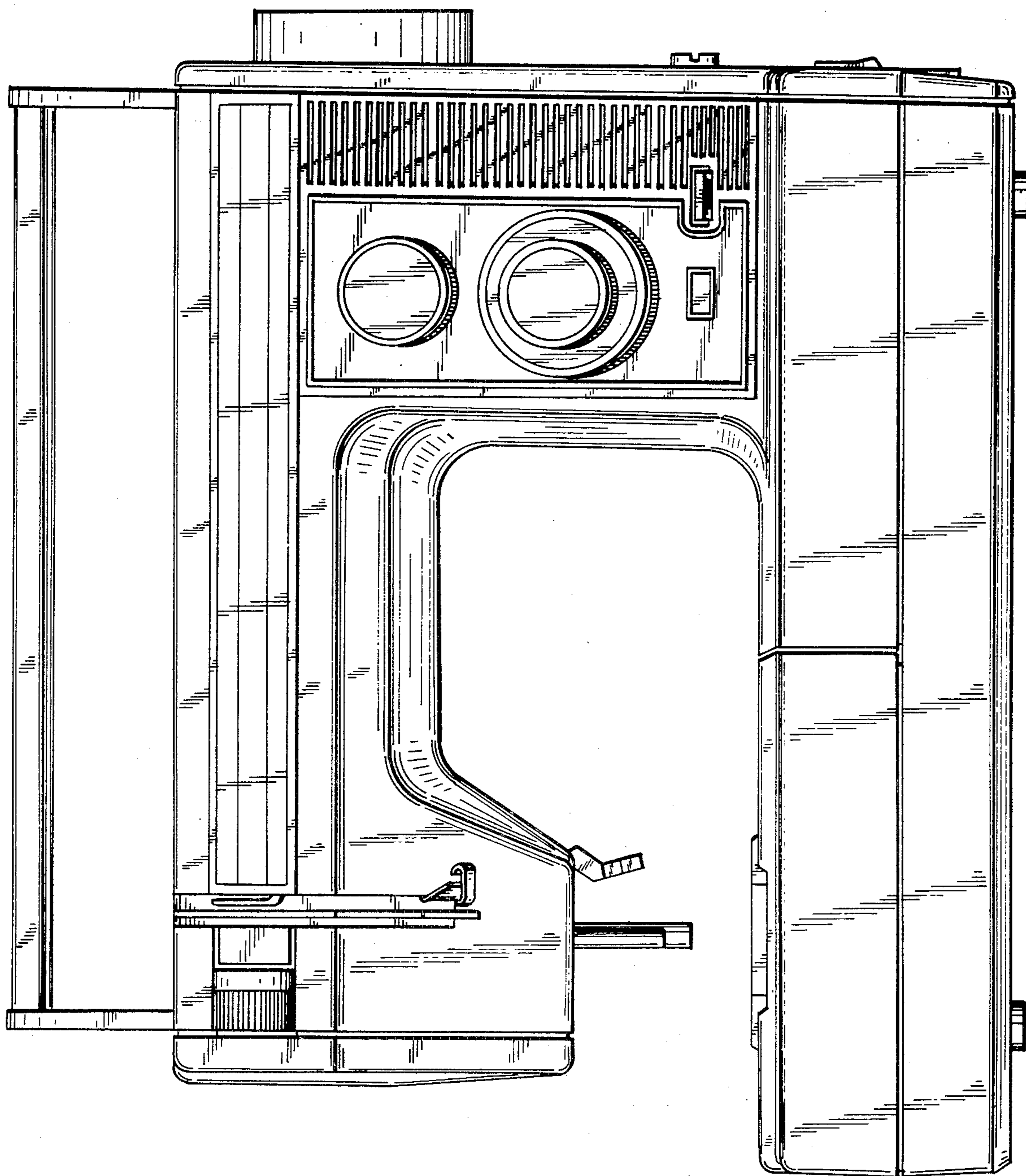


FIG. 1

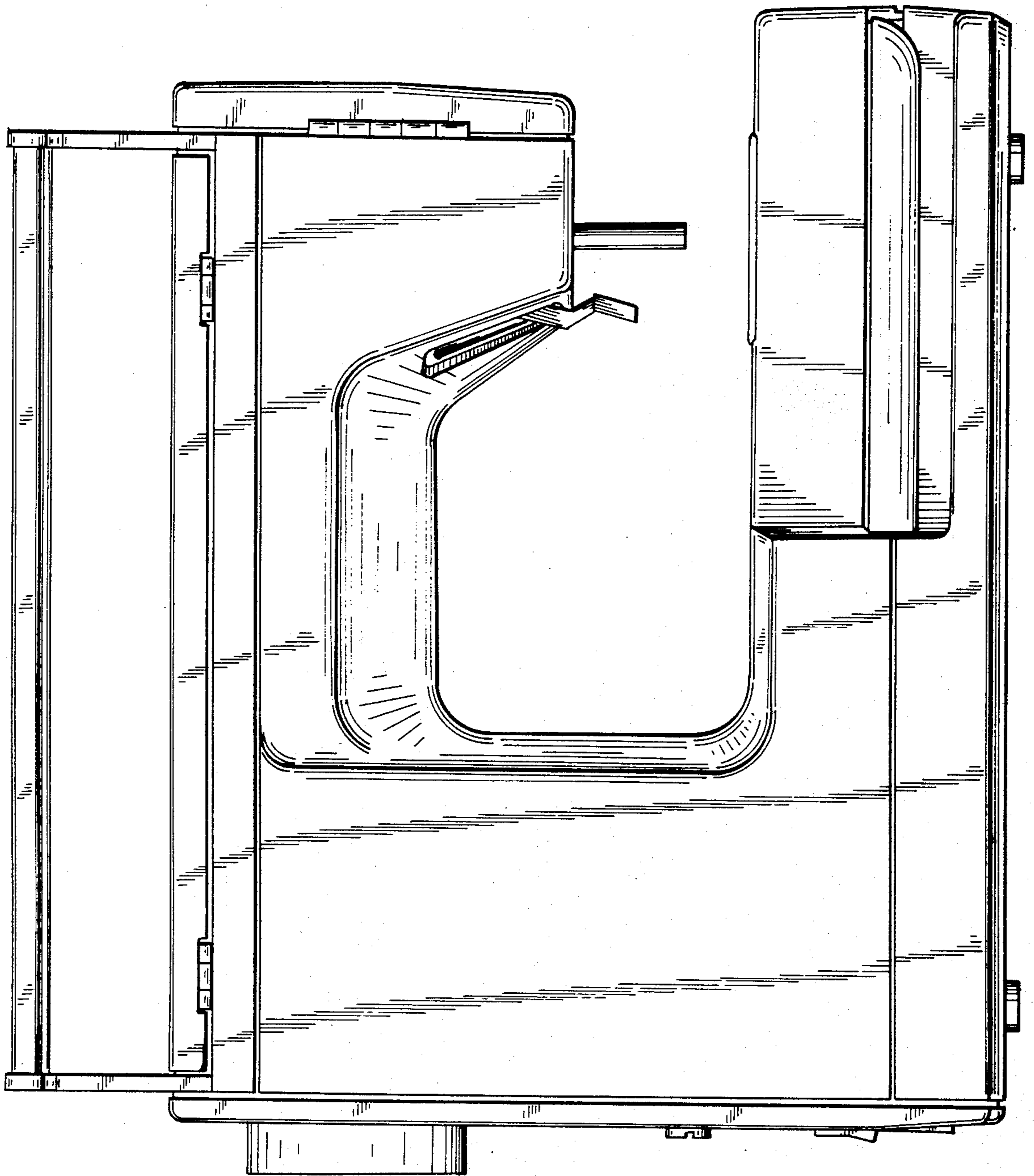


FIG. 2

FIG. 3

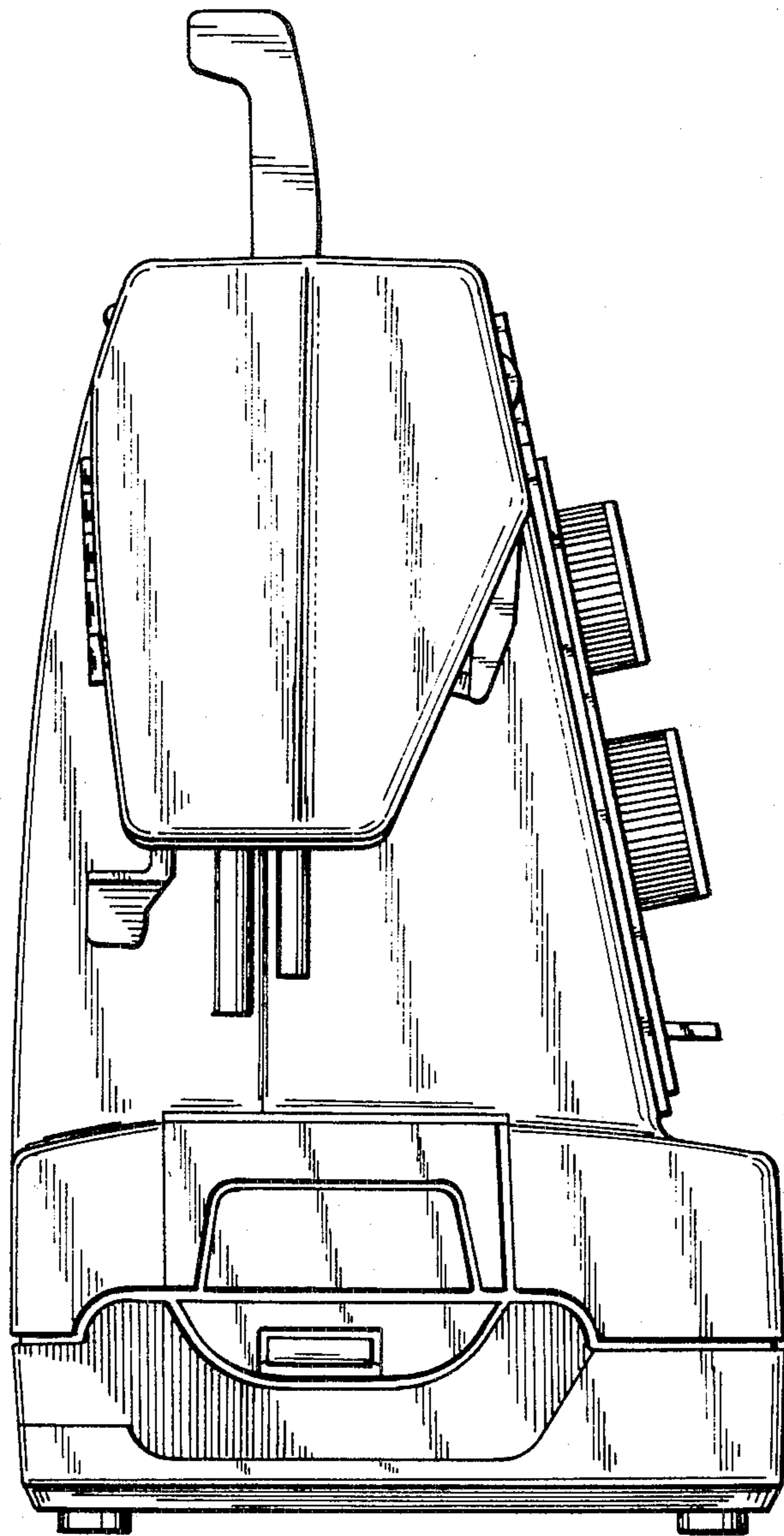


FIG. 4

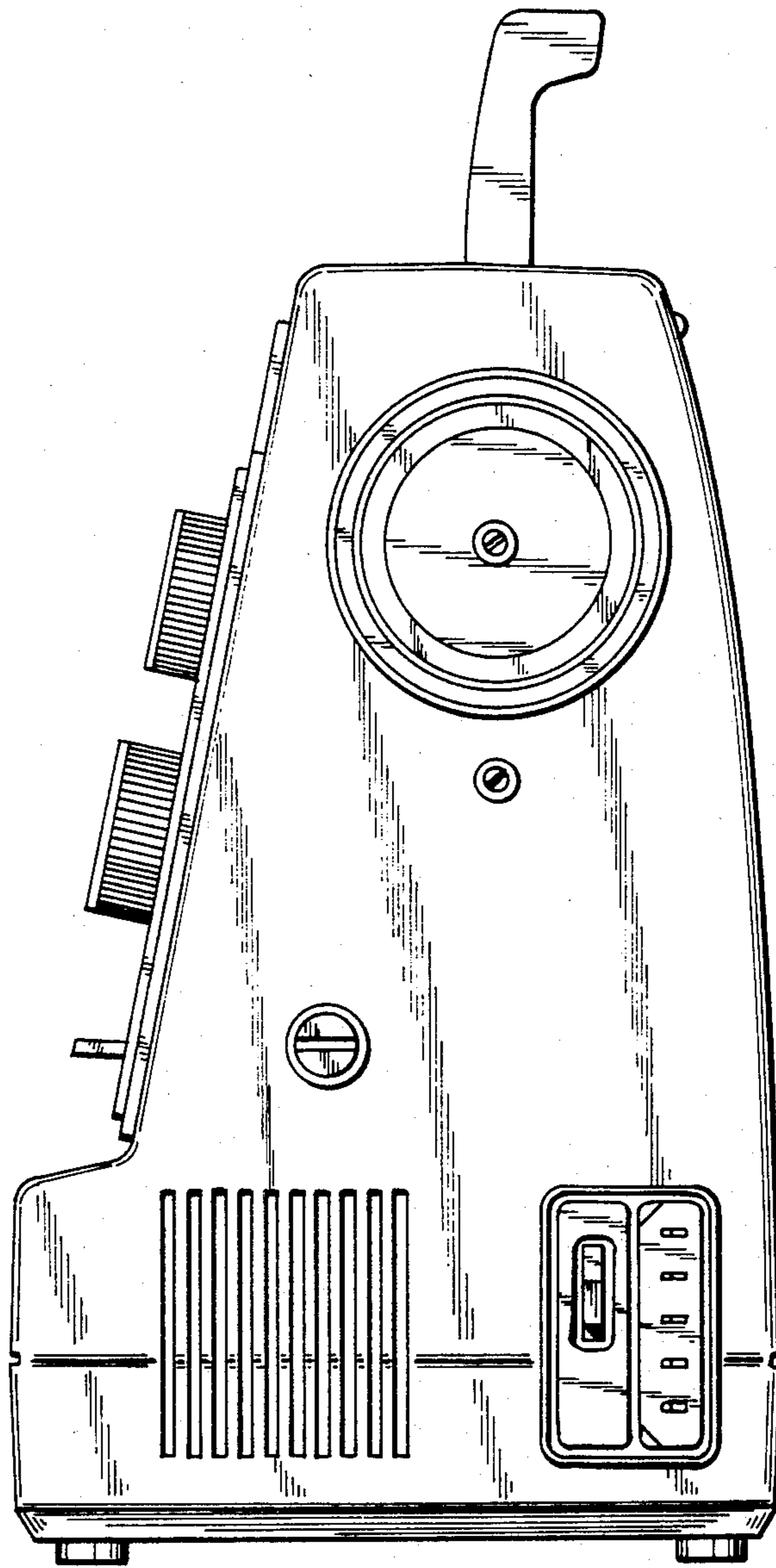


FIG. 5

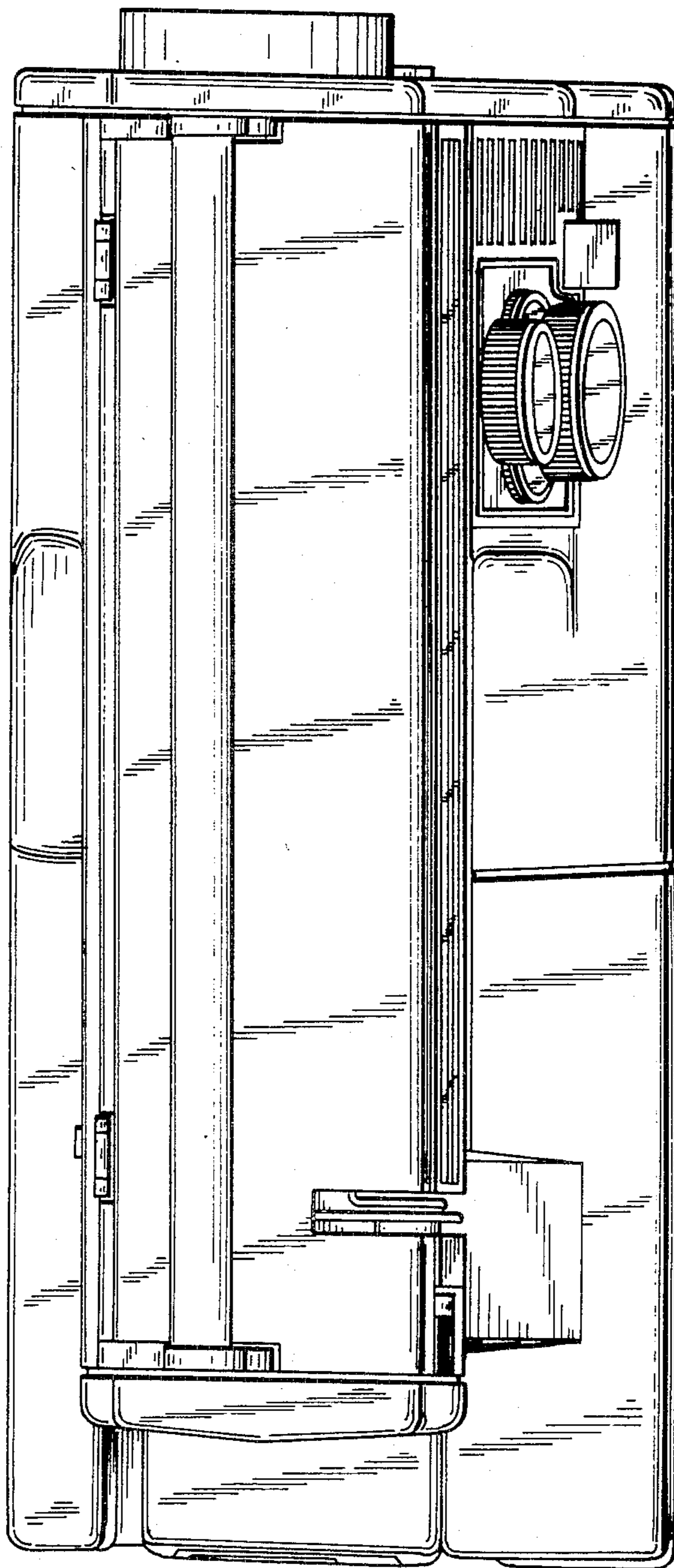
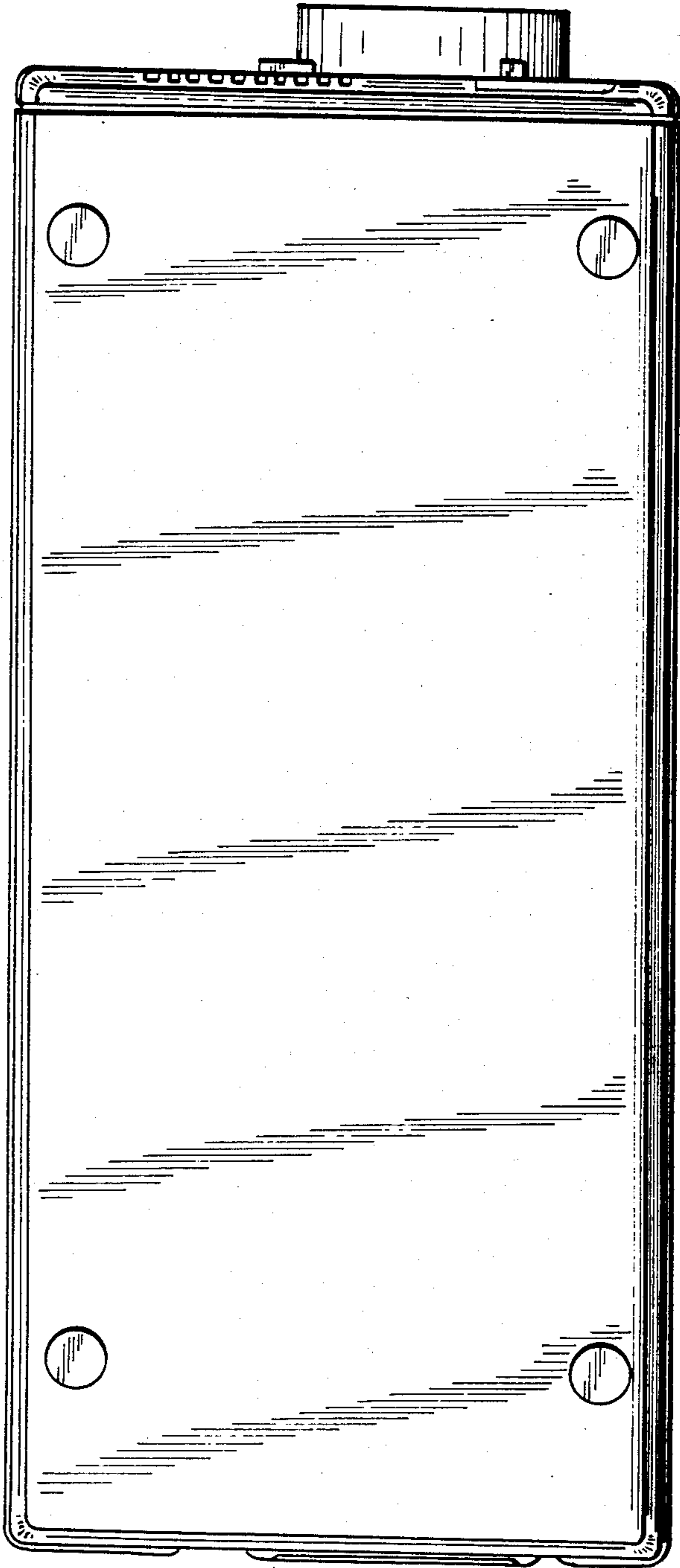


FIG. 6



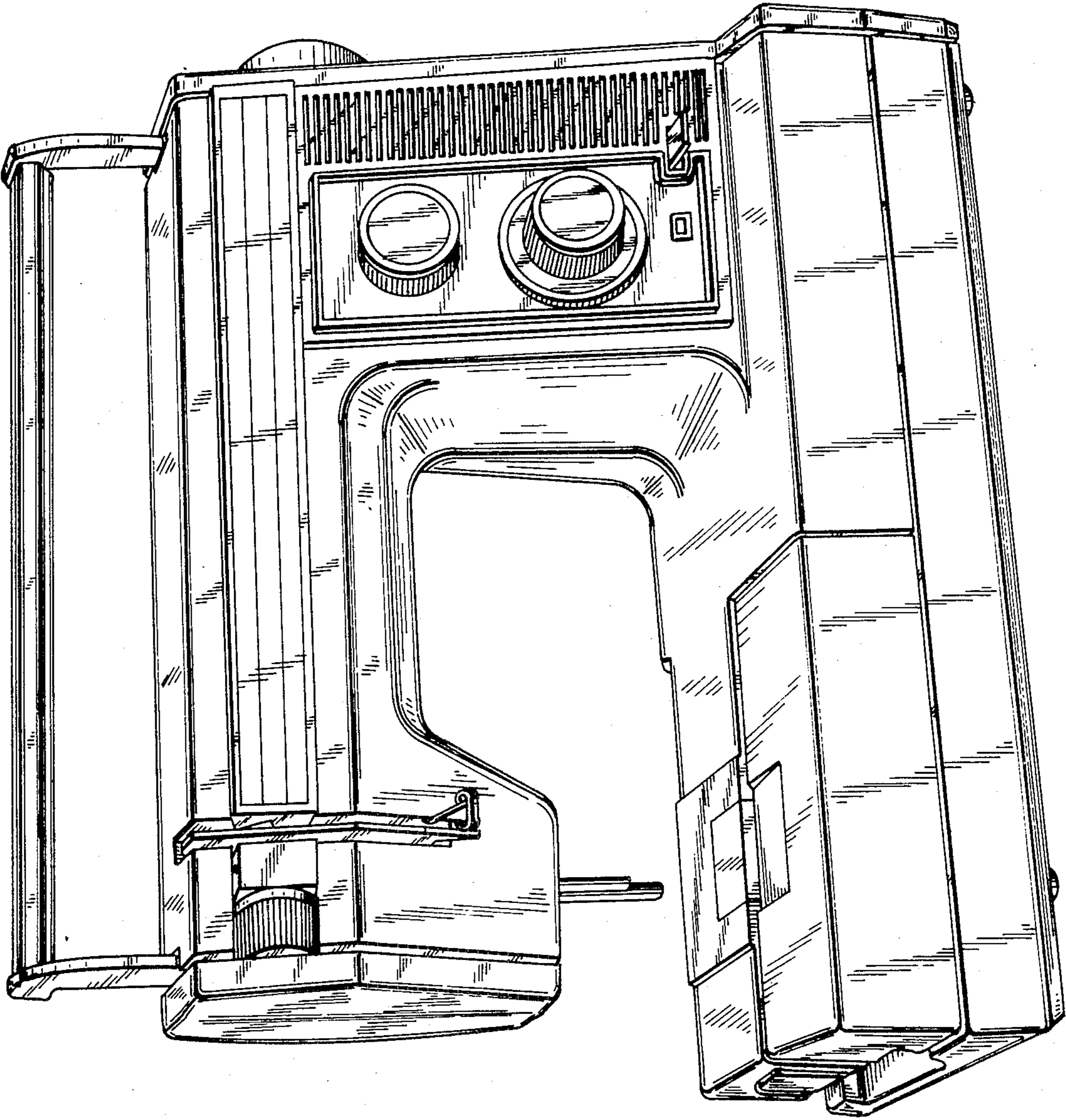


FIG. 7