

[54] VIEWFINDER FOR VIDEO CAMERA OR THE LIKE

[75] Inventors: Haruyuki Enomoto, Yamato; Naokazu Shimazaki, Oiso, both of Japan

[73] Assignee: Sony Corporation, Tokyo, Japan

[\*\*] Term: 14 Years

[21] Appl. No.: 643,492

[22] Filed: Aug. 23, 1984

[30] Foreign Application Priority Data

Feb. 29, 1984 [JP] Japan ..... 59-7490

[52] U.S. Cl. .... D14/78; 14/1

[58] Field of Search ..... D14/78, 1, 5, 6, 84; D16/3, 4; 358/224, 906; 352/242, 243, 72

[56] References Cited

U.S. PATENT DOCUMENTS

- D. 219,888 2/1971 Schulze-Bahr ..... D14/78
- D. 241,739 10/1976 Farey et al. .... D14/78
- D. 243,171 1/1977 Sakashita ..... D14/78

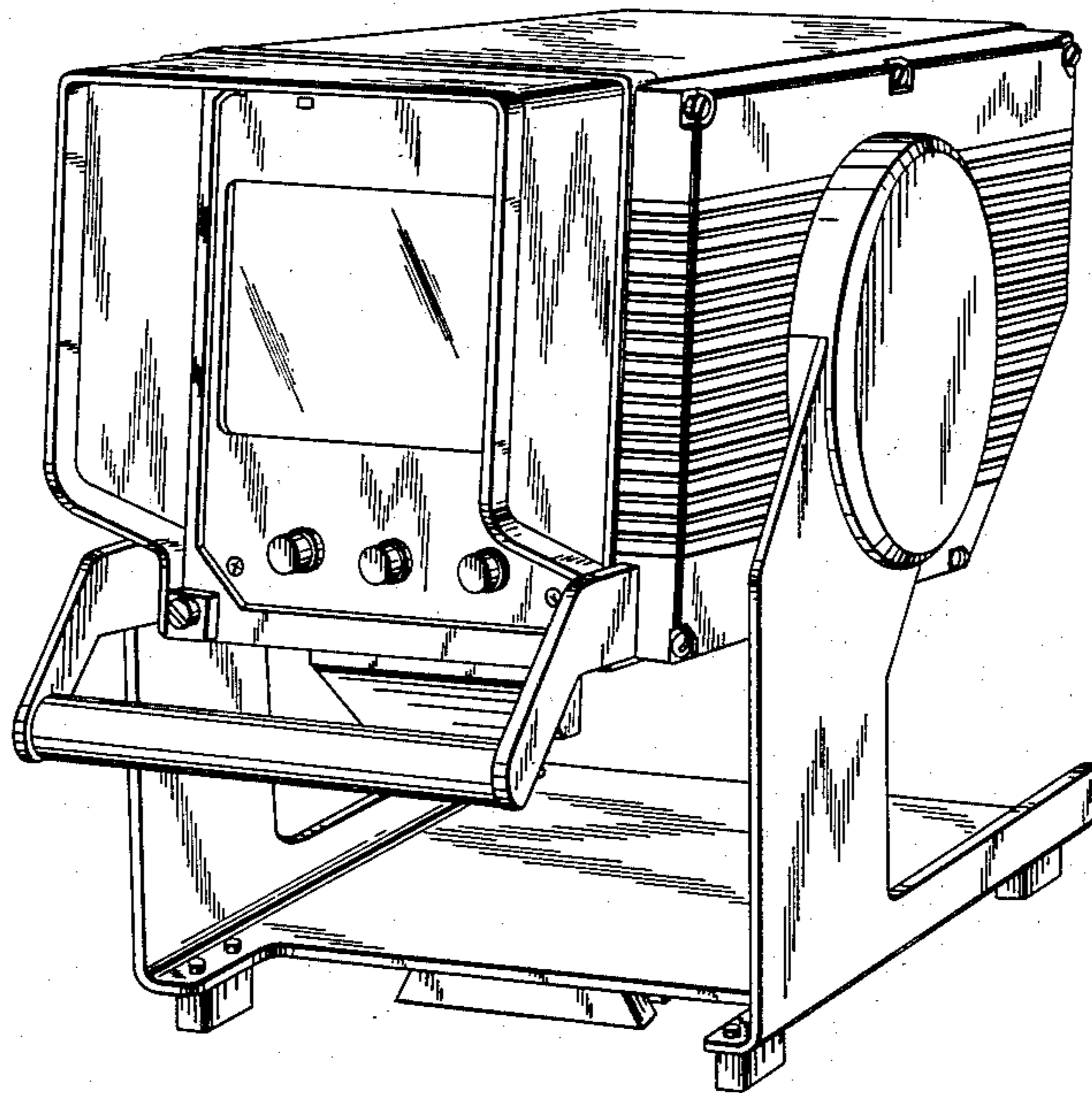
Primary Examiner—Melvin B. Feifer  
Attorney, Agent, or Firm—Lewis H. Eslinger; Alvin Sinderbrand

[57] CLAIM

The ornamental design for viewfinder for video camera or the like, substantially as shown.

DESCRIPTION

FIG. 1 is a front perspective view of a viewfinder for video camera or the like, showing our new design; FIG. 2 is a front elevation thereof; FIG. 3 is a rear elevation thereof; FIG. 4 is a left-side elevation thereof; FIG. 5 is a right-side elevation thereof; FIG. 6 is a top plan view thereof; and FIG. 7 is a bottom plan view thereof.



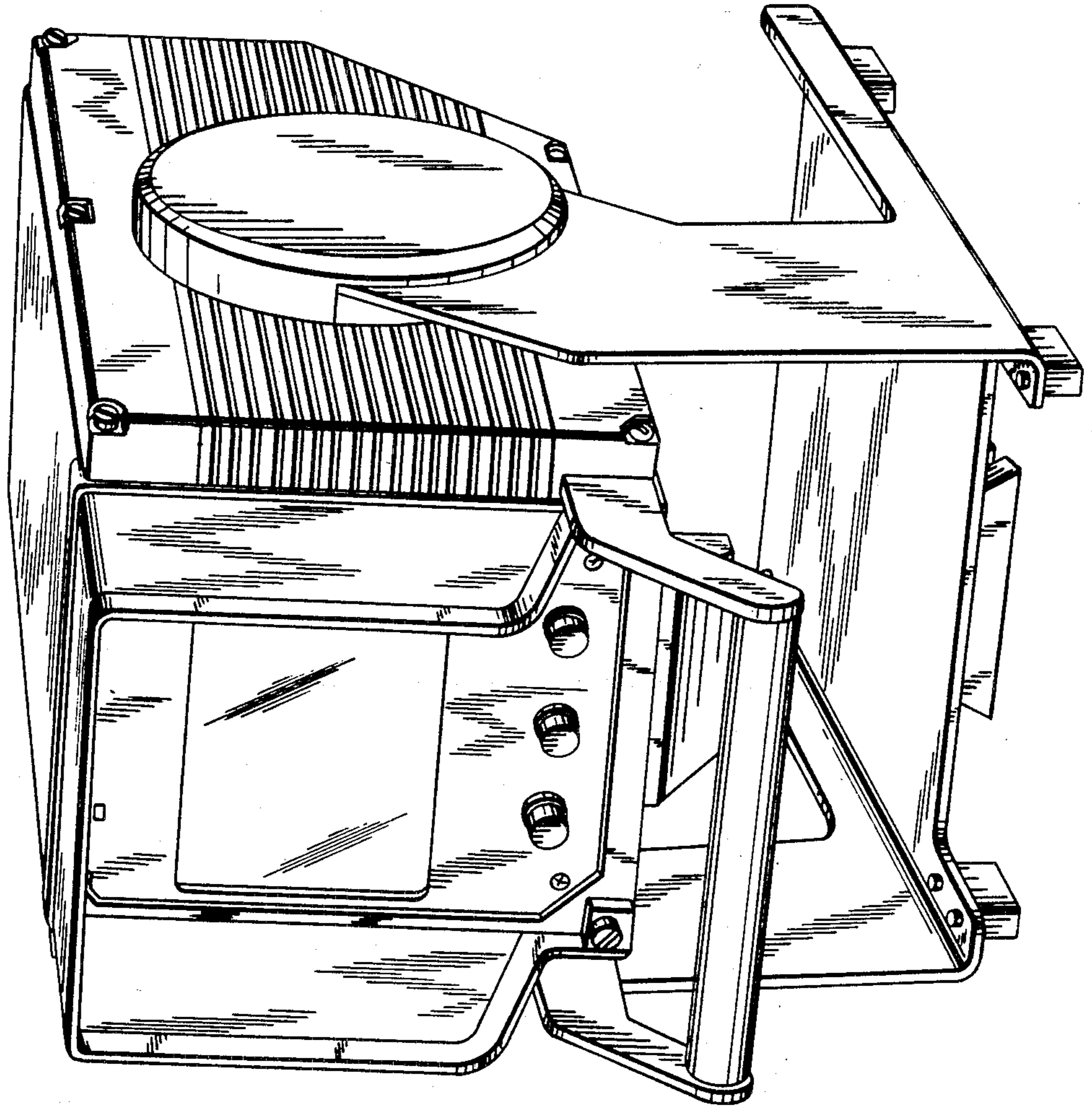


FIG. 1

FIG. 2

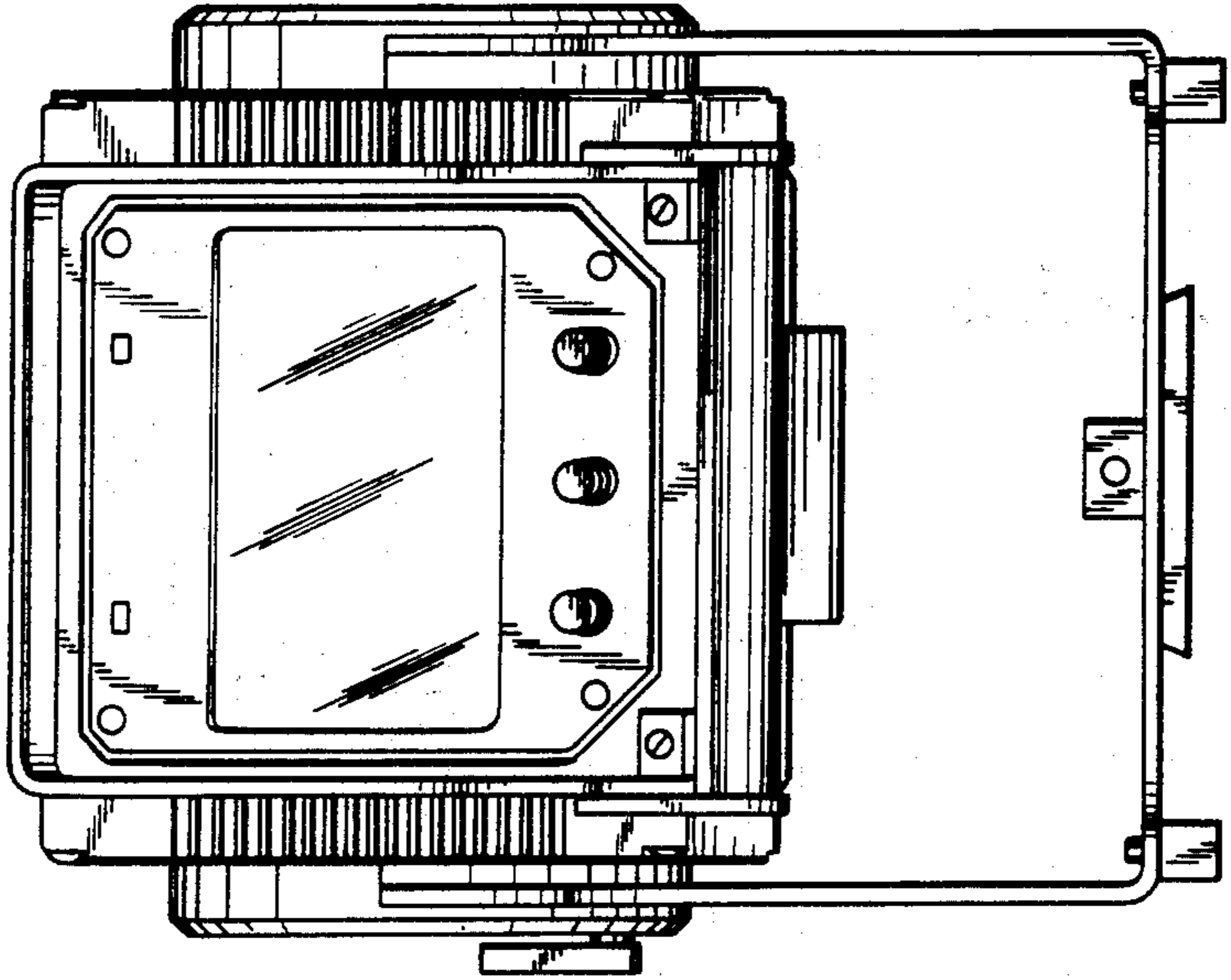


FIG. 4

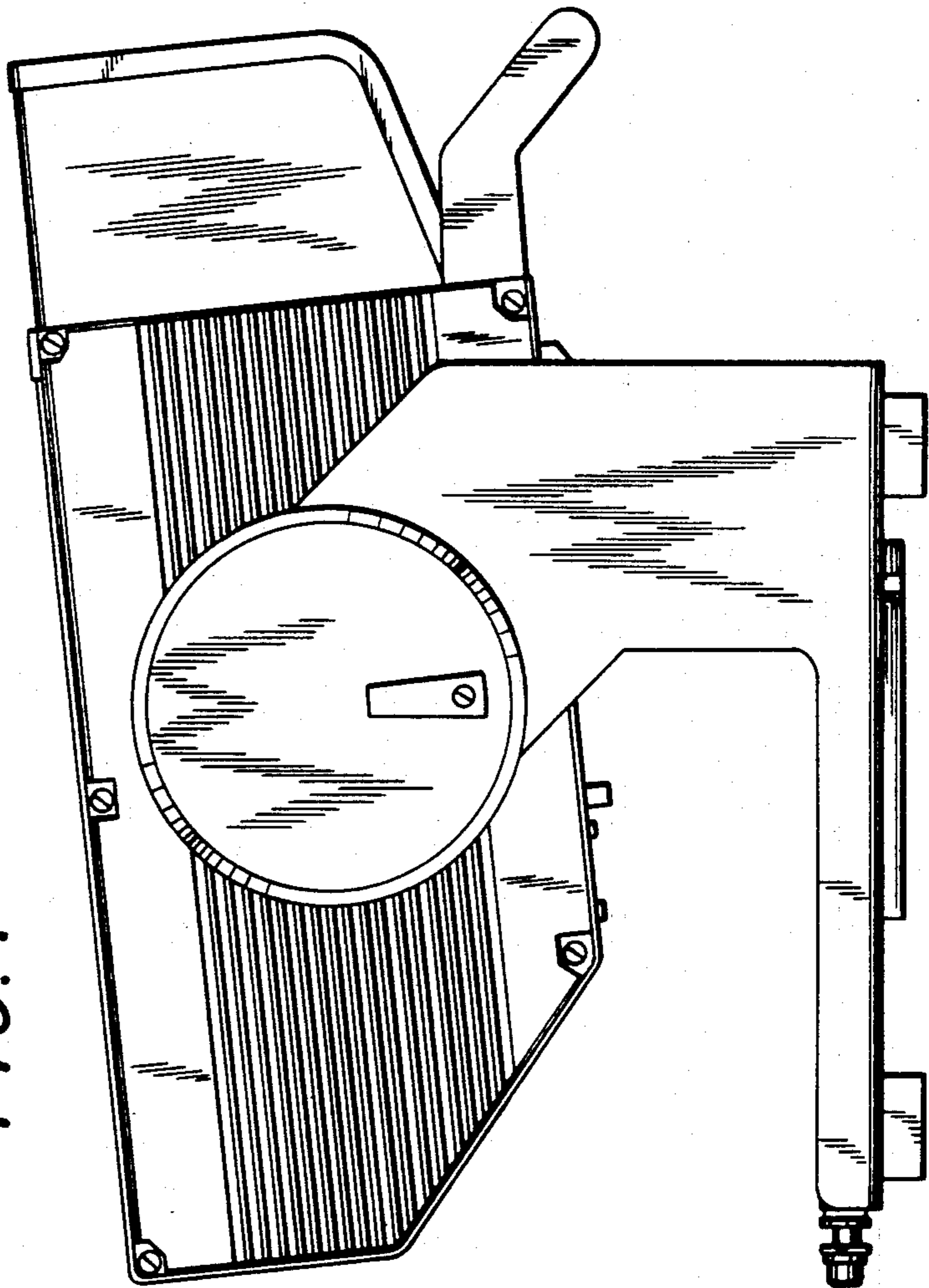


FIG. 3

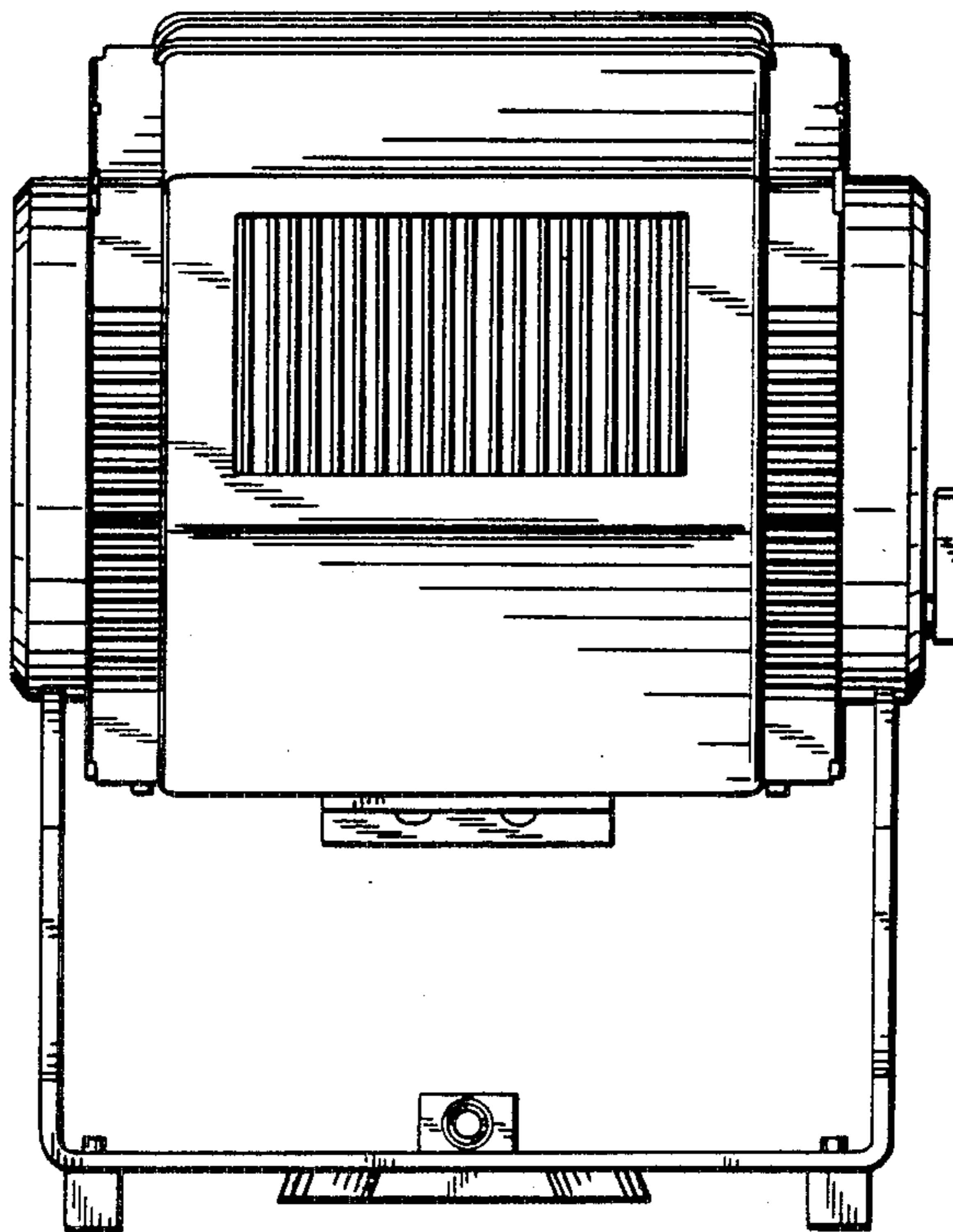


FIG. 7

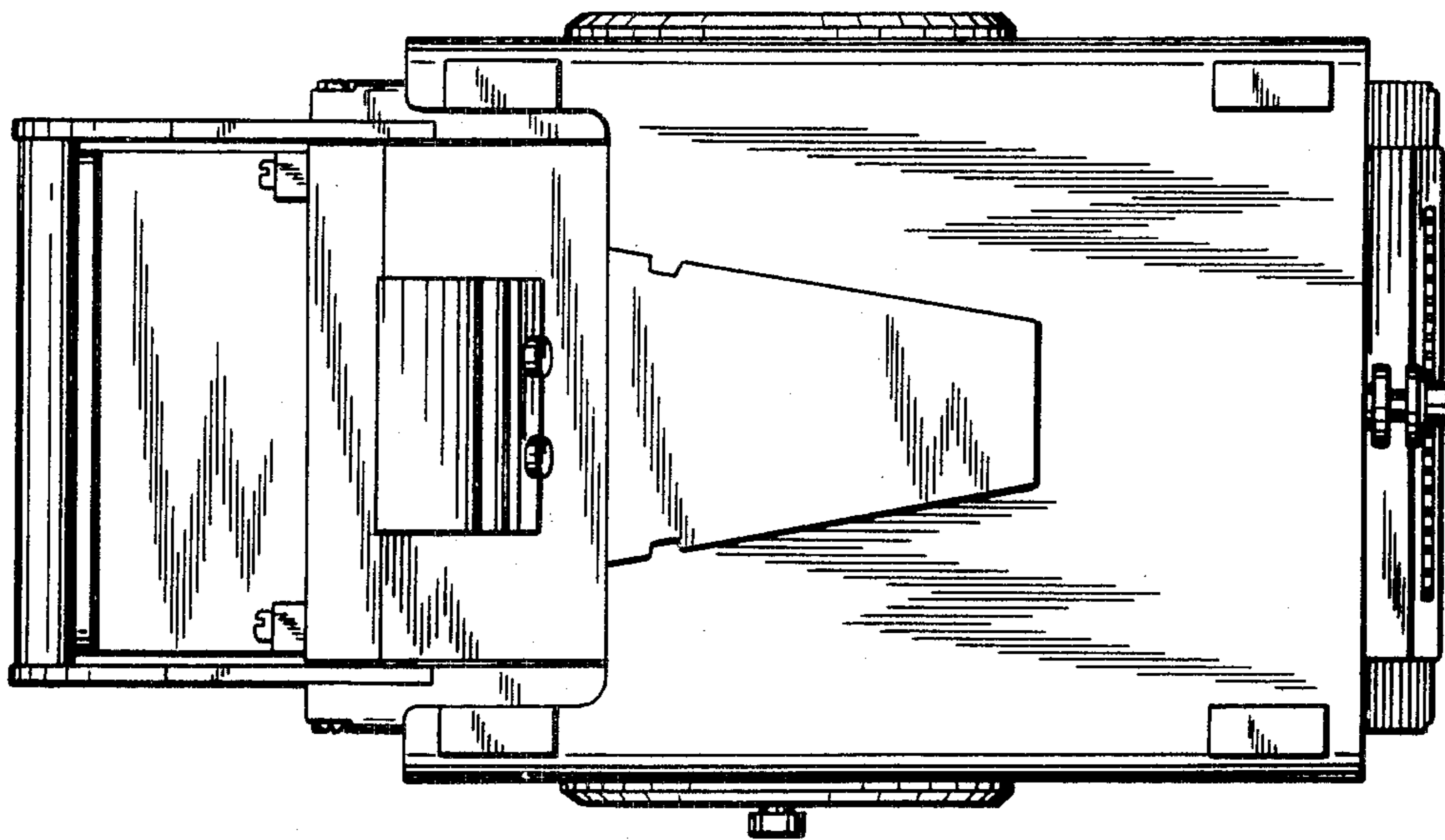




FIG. 5

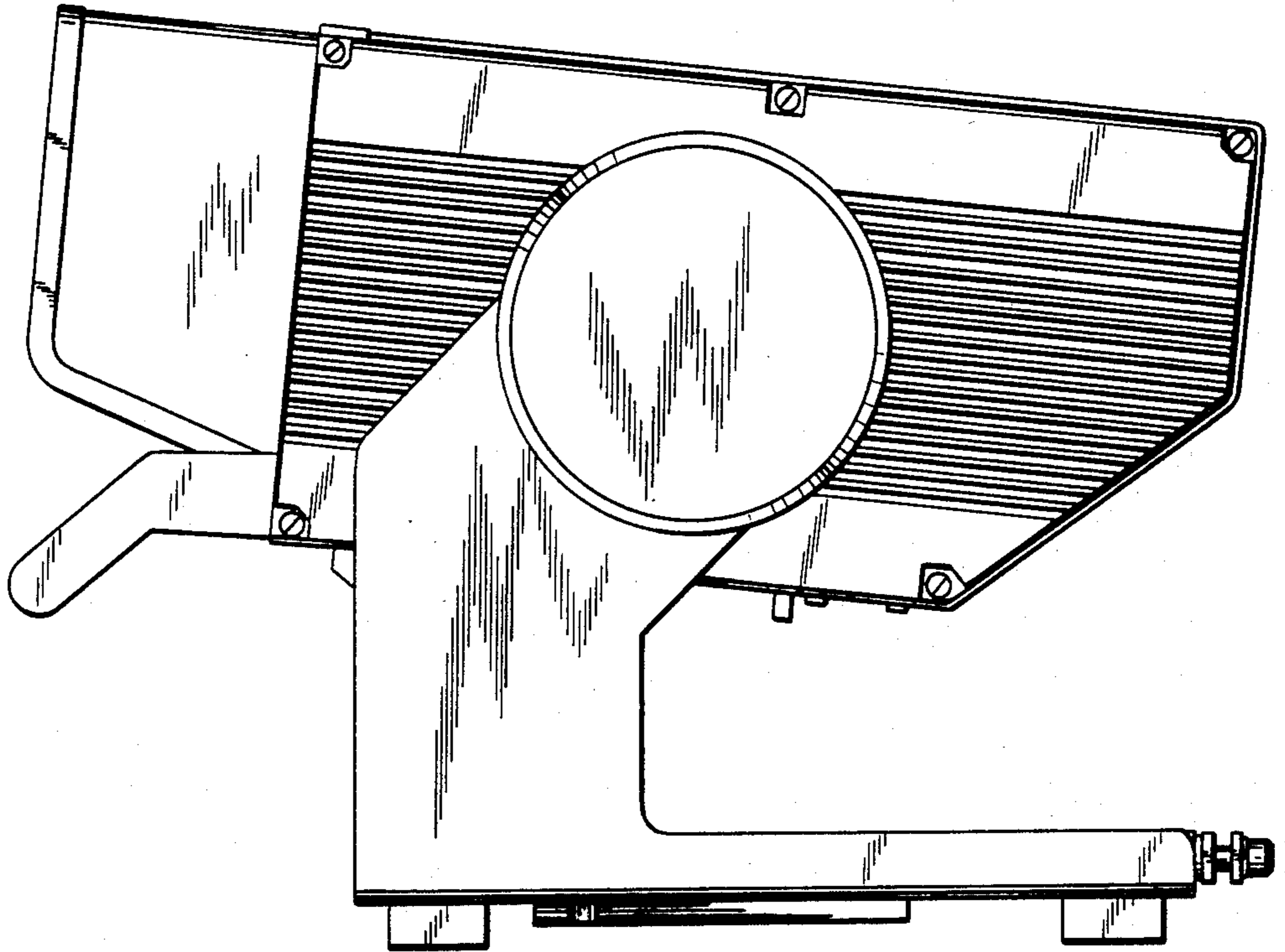


FIG. 6

