

[54] DEVICE FOR IMPARTING ROCKING MOTION TO INFANT STROLLER

[76] Inventors: Jeffrey M. Moskin, 3106 Barry Ave., Los Angeles, Calif. 90066; Keith J. Wertz, 2533 S. Deegan, Santa Ana, Calif. 92704

[**] Term: 14 Years

[21] Appl. No.: 628,787

[22] Filed: Jul. 9, 1984

[52] U.S. Cl. D12/133

[58] Field of Search D12/133; 180/166; 5/108, 109; 128/33

[56] References Cited

U.S. PATENT DOCUMENTS

- 3,311,935 4/1967 Petty 128/33
- 3,820,614 6/1974 Askinazy 180/166

- 3,842,450 10/1974 Pad 5/109
- 3,886,608 6/1975 Casella 5/109
- 3,934,283 1/1976 Raffel 5/109

Primary Examiner—James M. Gandy
Assistant Examiner—Kay H. Chin

[57] CLAIM

The ornamental design for a device for imparting rocking motion to infant stroller, as shown.

DESCRIPTION

FIG. 1 is a perspective view of a device for imparting rocking motion to infant stroller showing our new design.

FIG. 2 is a left-side elevation view thereof.

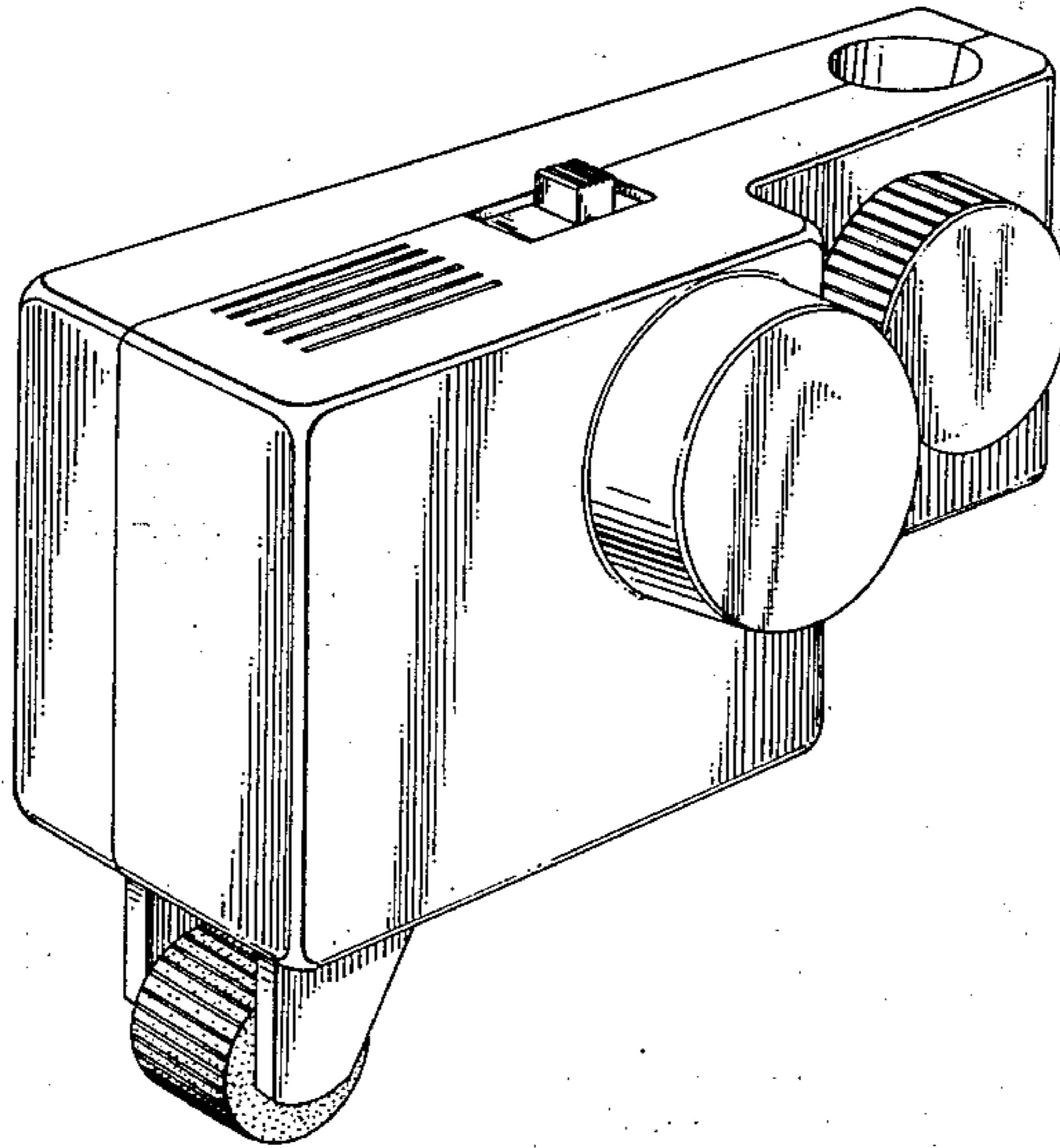
FIG. 3 is a rear elevation view thereof.

FIG. 4 is a right-side elevation view thereof.

FIG. 5 is a bottom plan view thereof.

FIG. 6 is a front elevation view thereof.

FIG. 7 is a top plan view thereof.



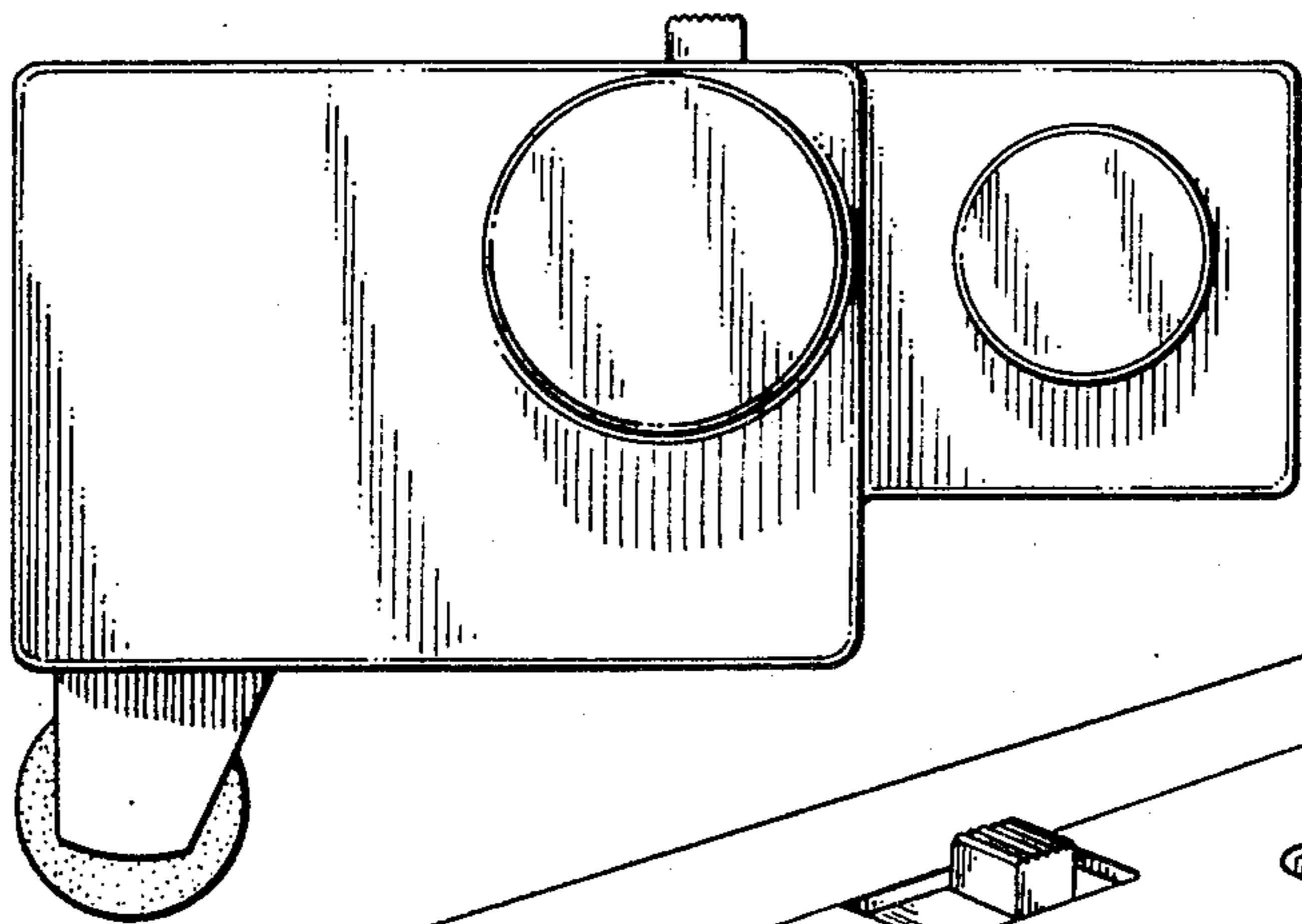


FIG. 6

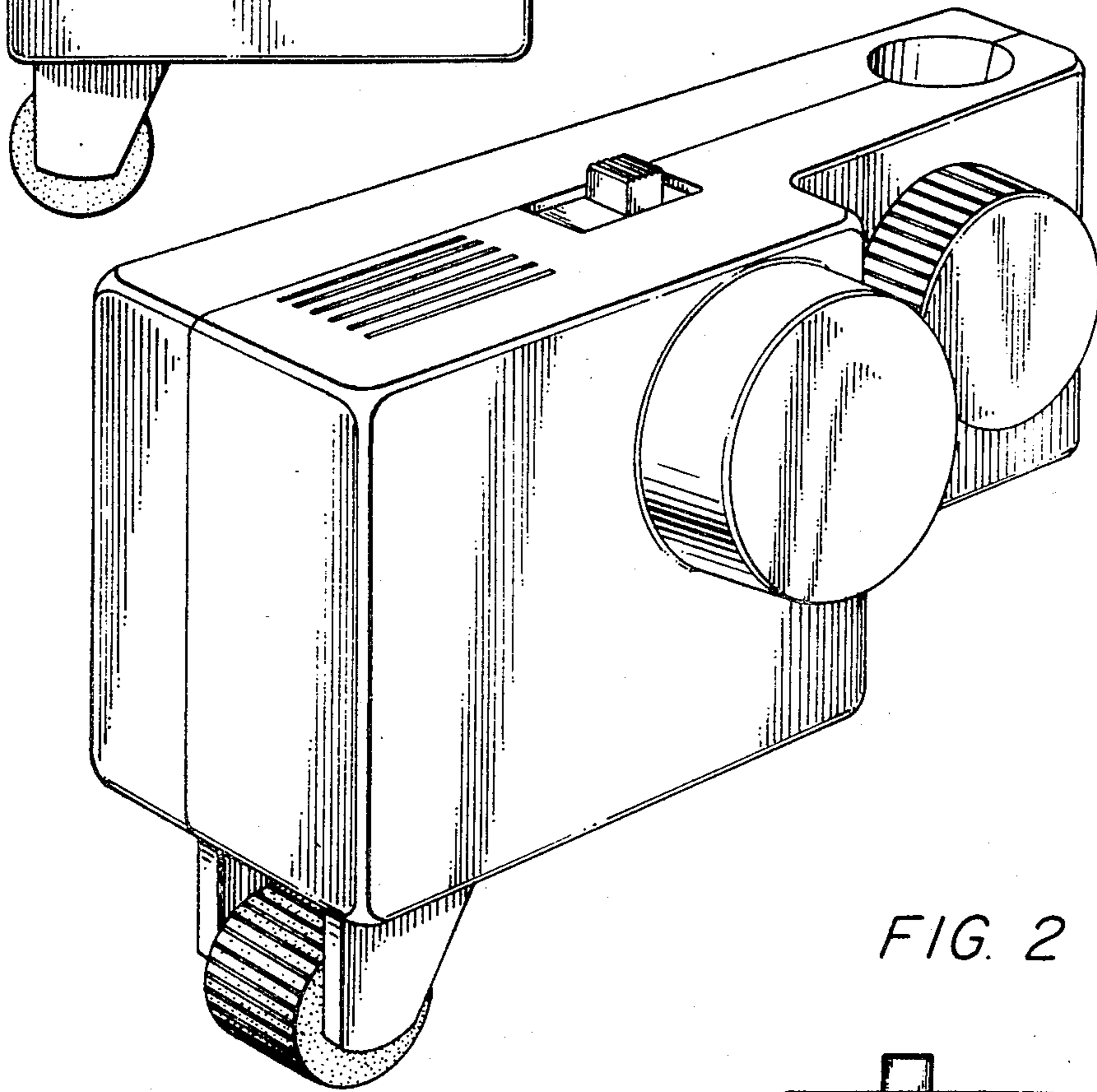


FIG. 1

FIG. 2

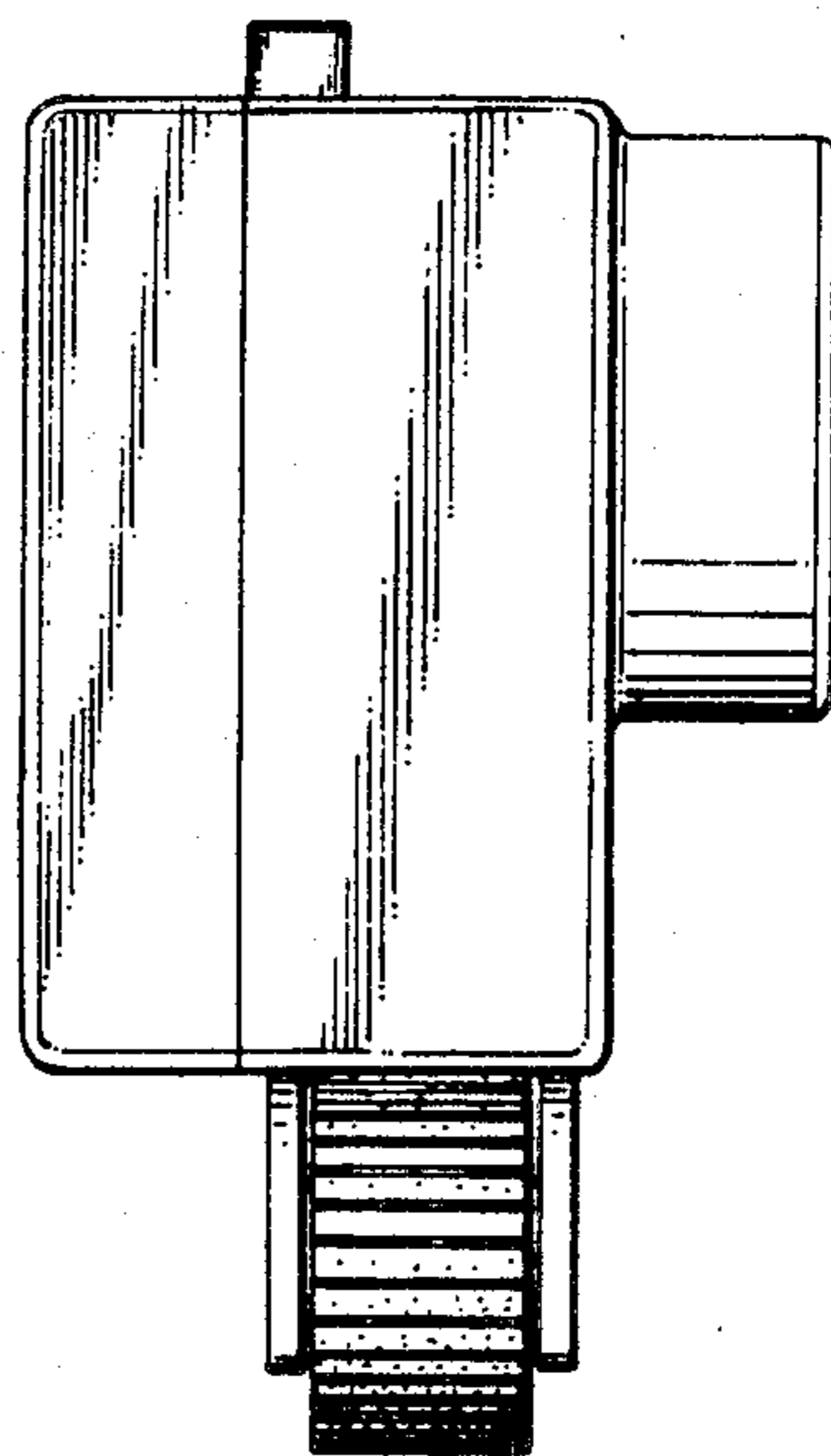


FIG. 7

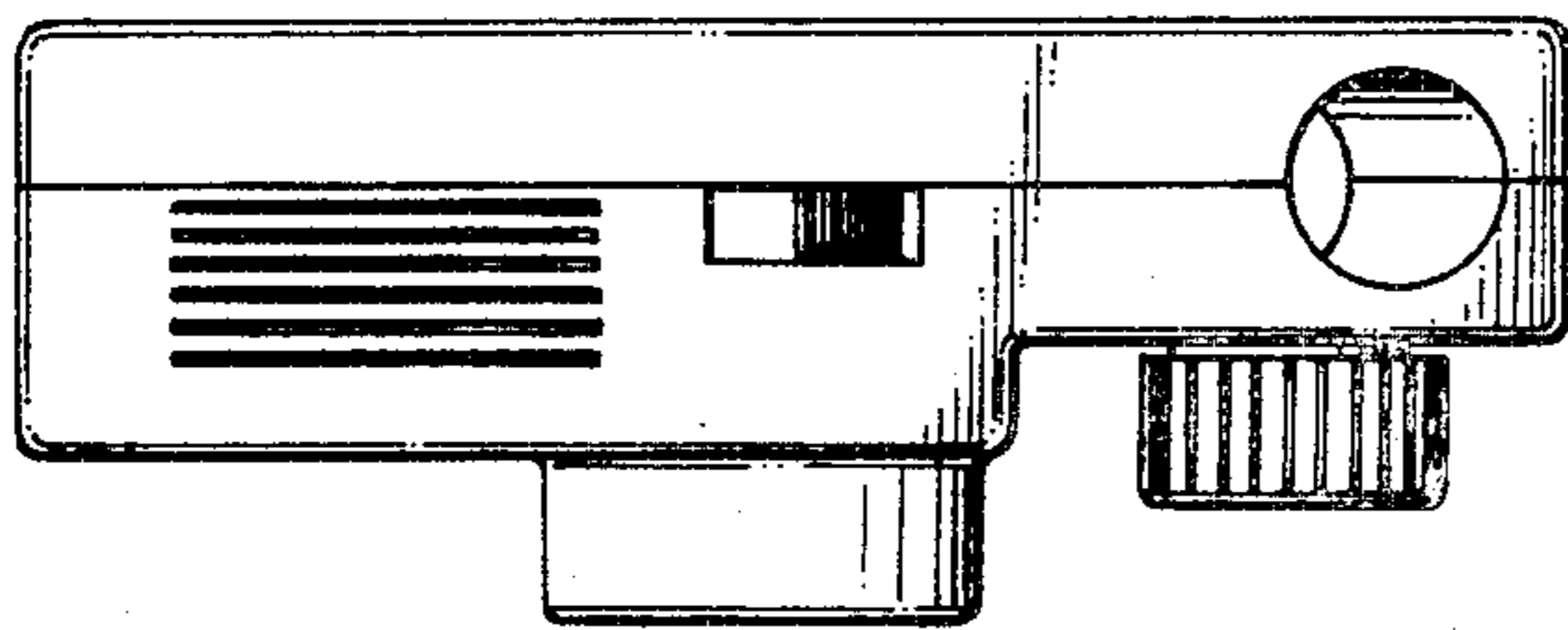


FIG. 3

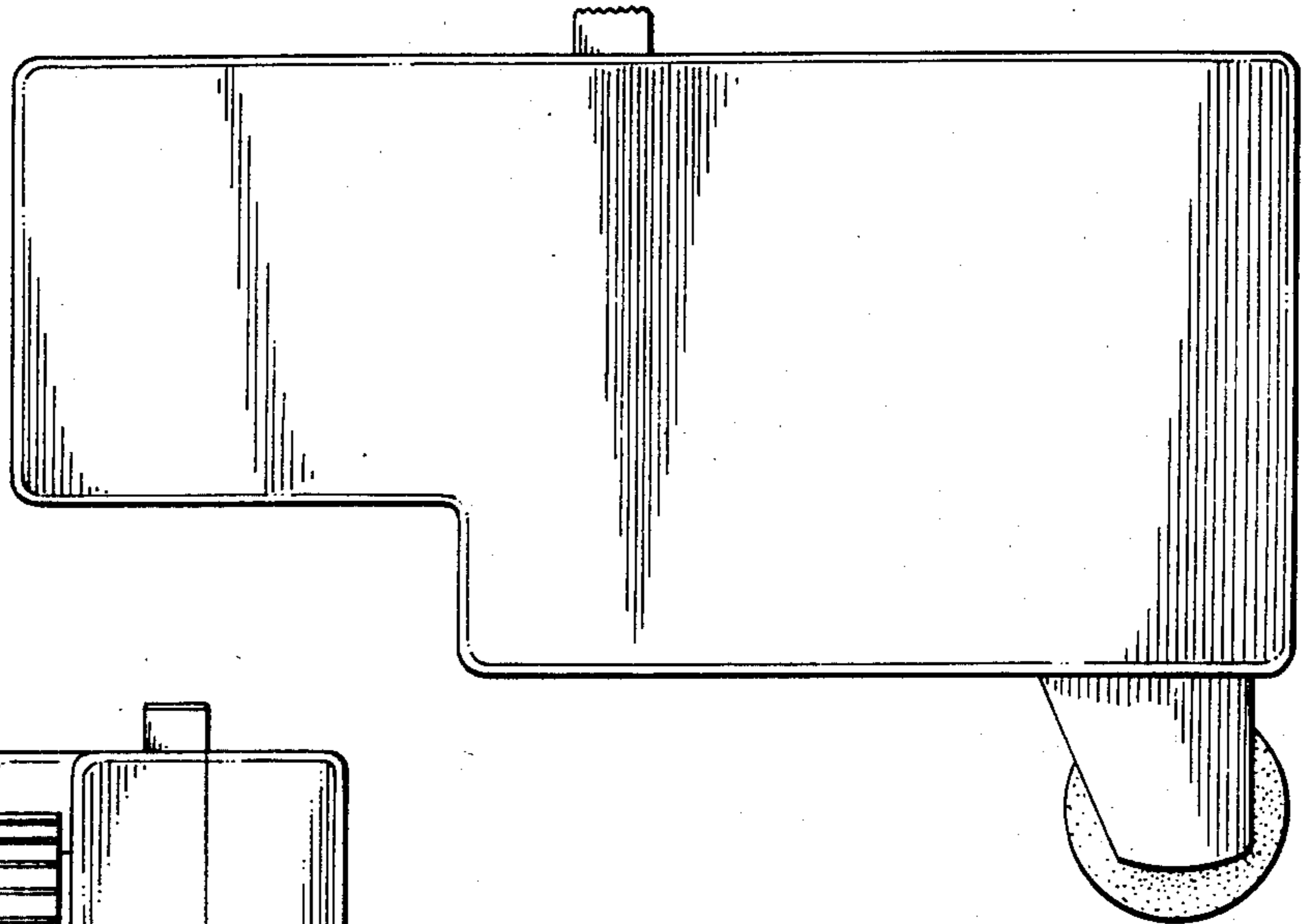


FIG. 4

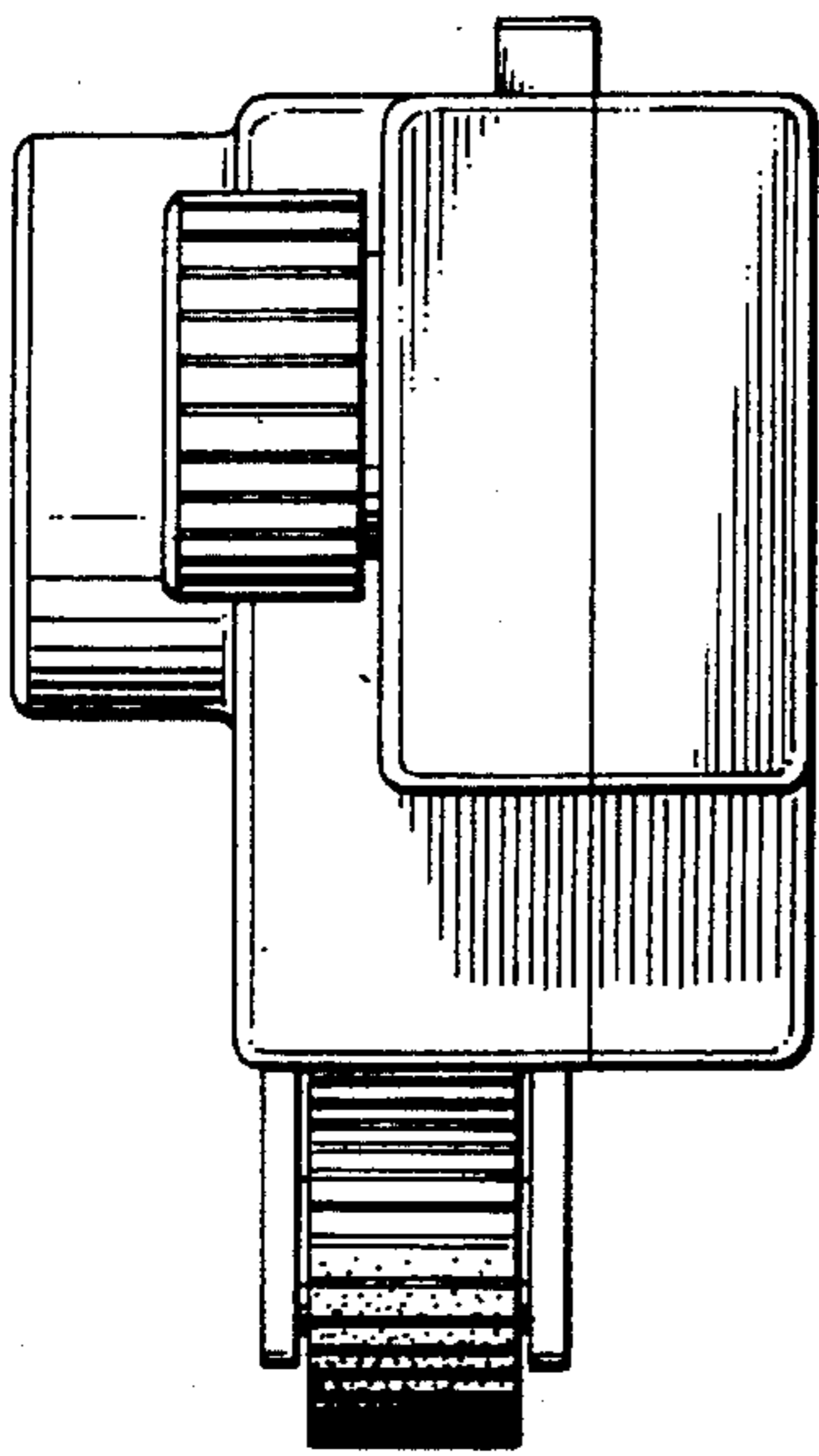


FIG. 5

